

US00D802381S

(12) **United States Design Patent** (10) **Patent No.:** **US D802,381 S**
Wolf et al. (45) **Date of Patent:** **** Nov. 14, 2017**

(54) **PRUNING TOOL**

(71) Applicant: **Corona Clipper, Inc.**, Corona, CA (US)

(72) Inventors: **James Joseph Wolf**, Waconia, MN (US); **Craig Steven Agney**, Minneapolis, MN (US); **Timothy Edward Atnip**, Temecula, CA (US); **Anthony Magana**, Riverside, CA (US); **Christopher S. Daniels**, Columbus, OH (US); **Jeffrey R. Burger**, Bexley, OH (US)

(73) Assignee: **CORONA CLIPPER, INC.**, Corona, CA (US)

(**) Term: **15 Years**

(21) Appl. No.: **29/574,825**

(22) Filed: **Aug. 18, 2016**

(51) **LOC (10) Cl.** **08-01**

(52) **U.S. Cl.**
USPC **D8/4**

(58) **Field of Classification Search**
USPC D8/1, 4, 5, 51, 52, 53, 54, 55, 56, 58, D8/105, 107
CPC B26B 13/00; B26B 13/06; B26B 13/08; B26B 13/12; B26B 13/14; B26B 13/16; B26B 13/20; B26B 13/26; B26B 13/28; B26B 17/00; A01G 3/00; A01G 3/02; A01G 3/021; A01G 3/025; A01G 3/0251; A01G 3/0475
See application file for complete search history.

(56) **References Cited**

U.S. PATENT DOCUMENTS

2,942,341 A * 6/1960 Beckham A01G 3/02
30/266

D262,090 S * 12/1981 Wahlberg D8/58
D307,097 S * 4/1990 Jasperson D8/5
D361,700 S * 8/1995 Birkholz D8/5
D401,485 S * 11/1998 Liao D8/5
6,260,277 B1 * 7/2001 Wu A01G 3/02
30/232
D638,675 S * 5/2011 Huang D8/5
D638,676 S * 5/2011 Huang D8/5
D698,618 S * 2/2014 Atnip D8/5
2002/0073555 A1 * 6/2002 Linden A01G 3/02
30/251
2002/0124413 A1 * 9/2002 Rutkowski A01G 3/02
30/251

* cited by examiner

Primary Examiner — Sandra Snapp

Assistant Examiner — Ieisha Price

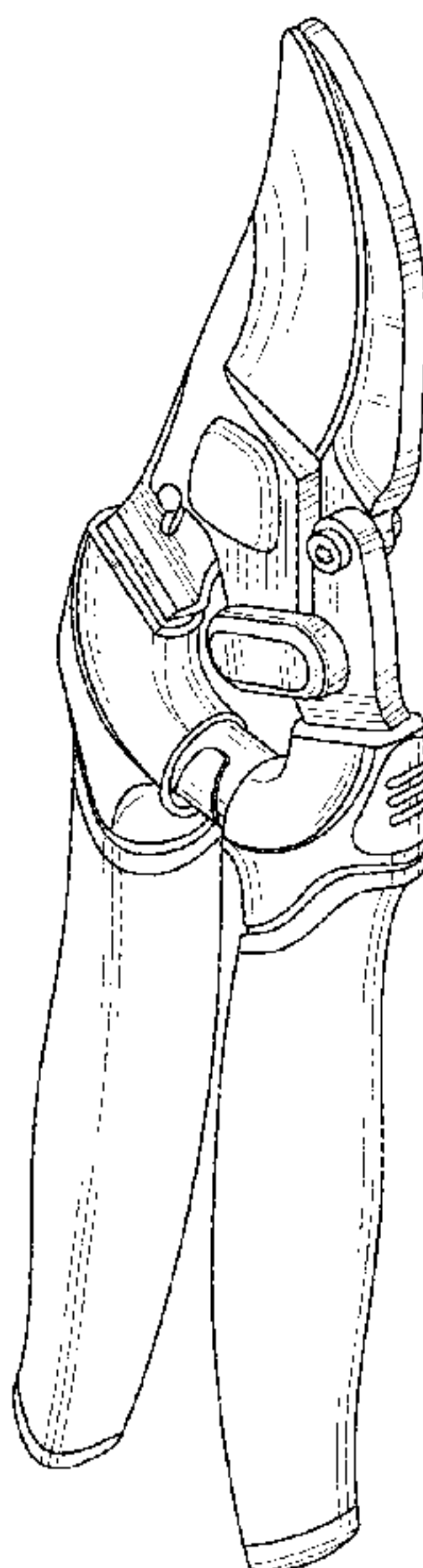
(57) **CLAIM**

The ornamental design for a pruning tool, as shown and described.

DESCRIPTION

FIG. 1 is a perspective view of the pruning tool;
FIG. 2 is a top view of the pruning tool;
FIG. 3 is a right side view of the pruning tool;
FIG. 4 is a left side view of the pruning tool;
FIG. 5 is a bottom view of the pruning tool;
FIG. 6 is a front view of the pruning tool; and,
FIG. 7 is rear view of the pruning tool.
The broken lines showing in FIG. 5 illustrate portions of the pruning tool and form no part of the claimed design.

1 Claim, 4 Drawing Sheets



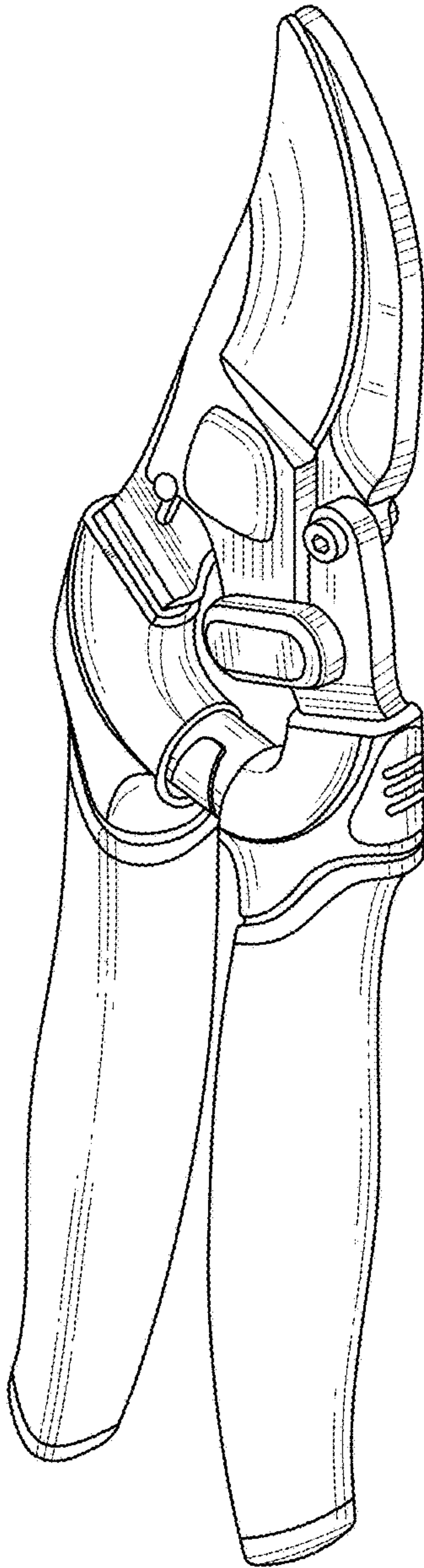


FIG. 1

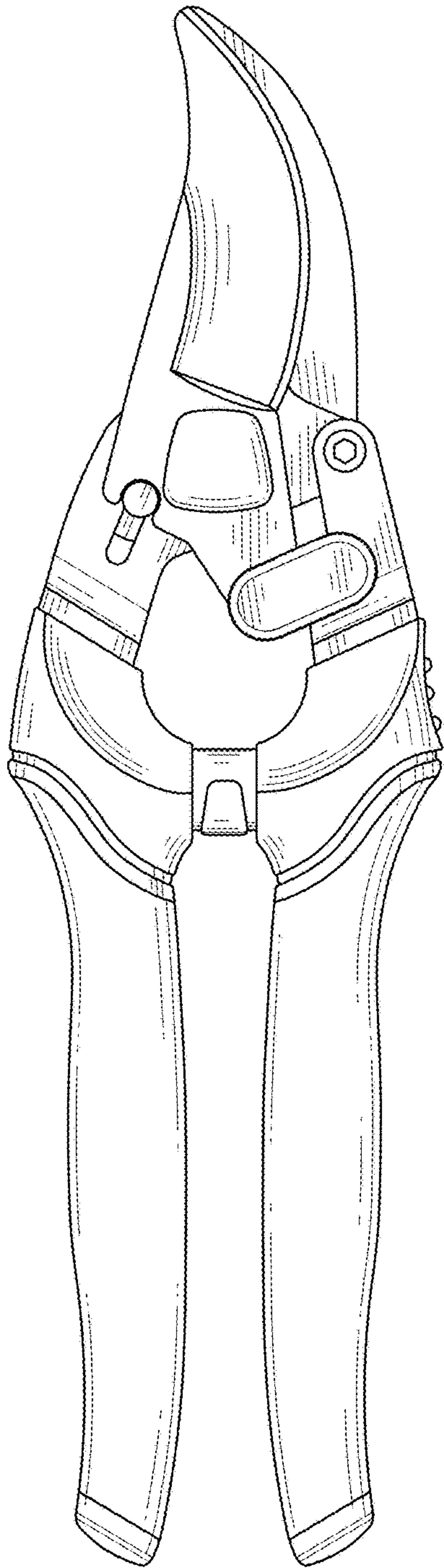


FIG. 2

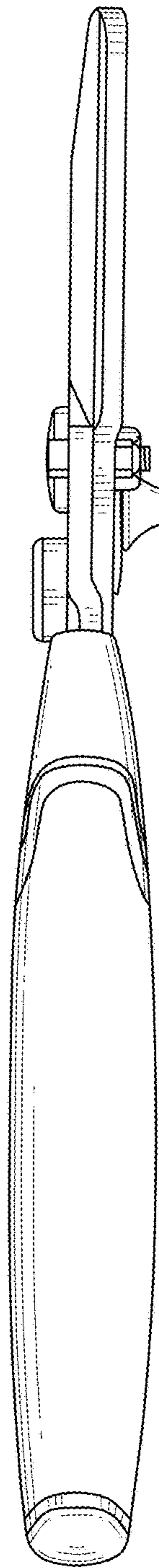


FIG. 3

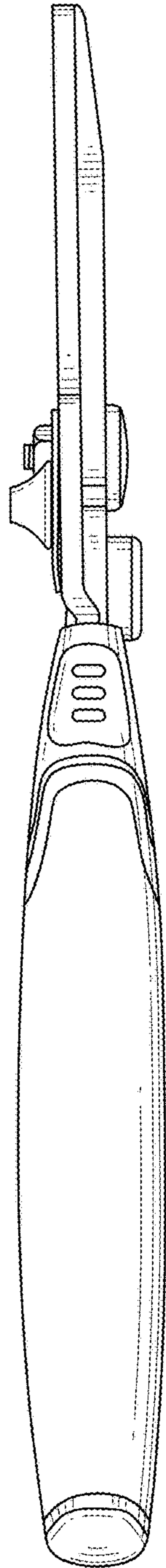


FIG. 4

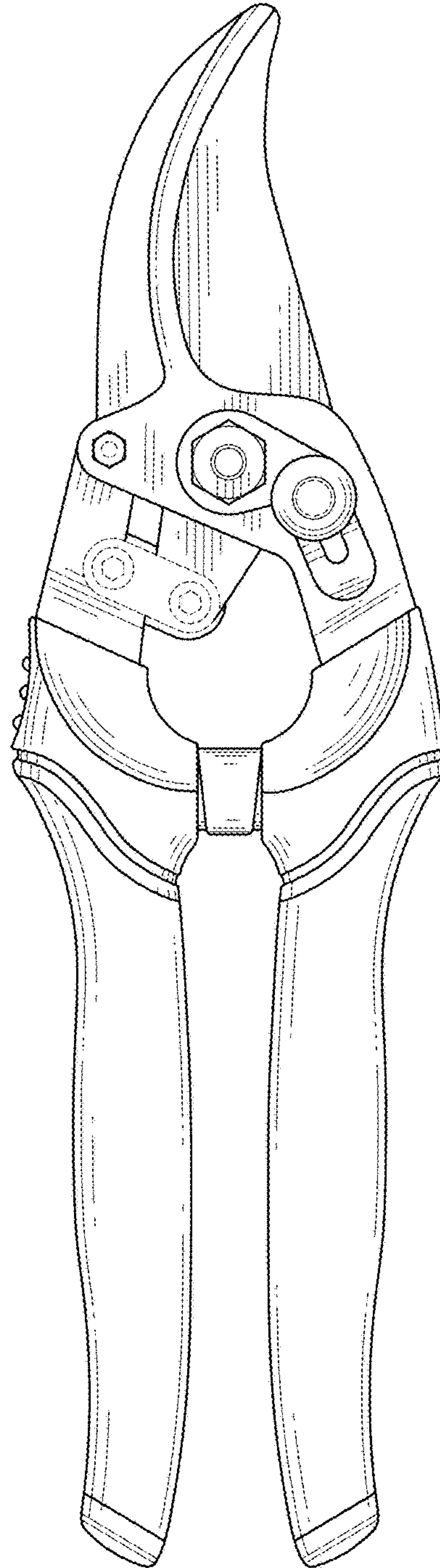


FIG. 5

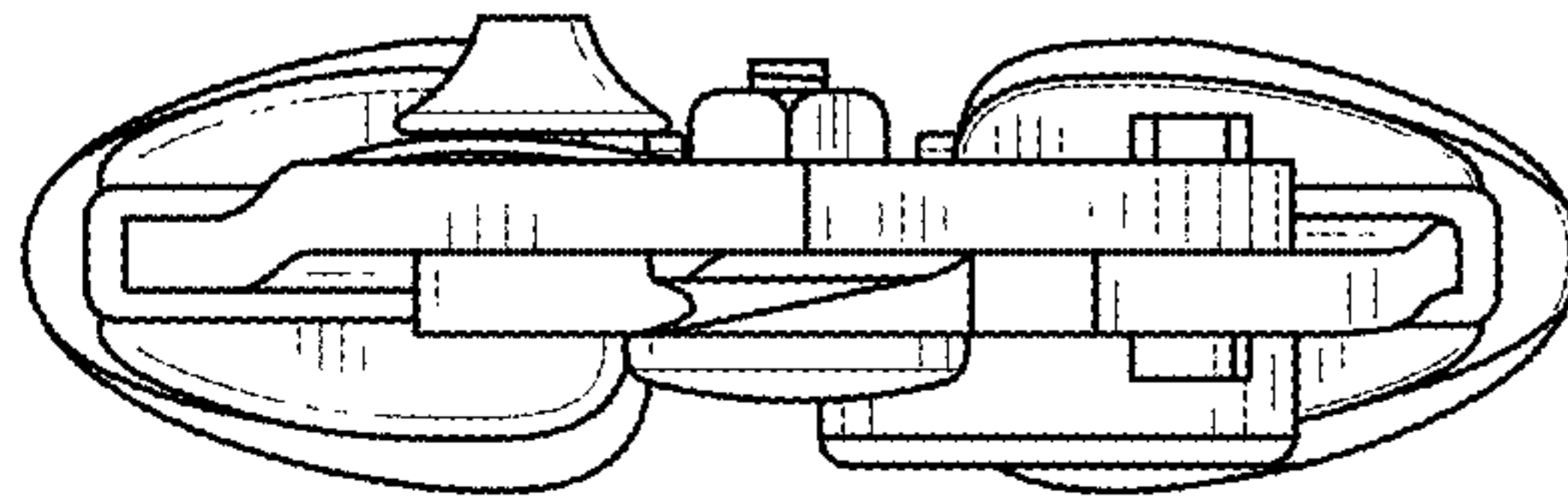


FIG. 6

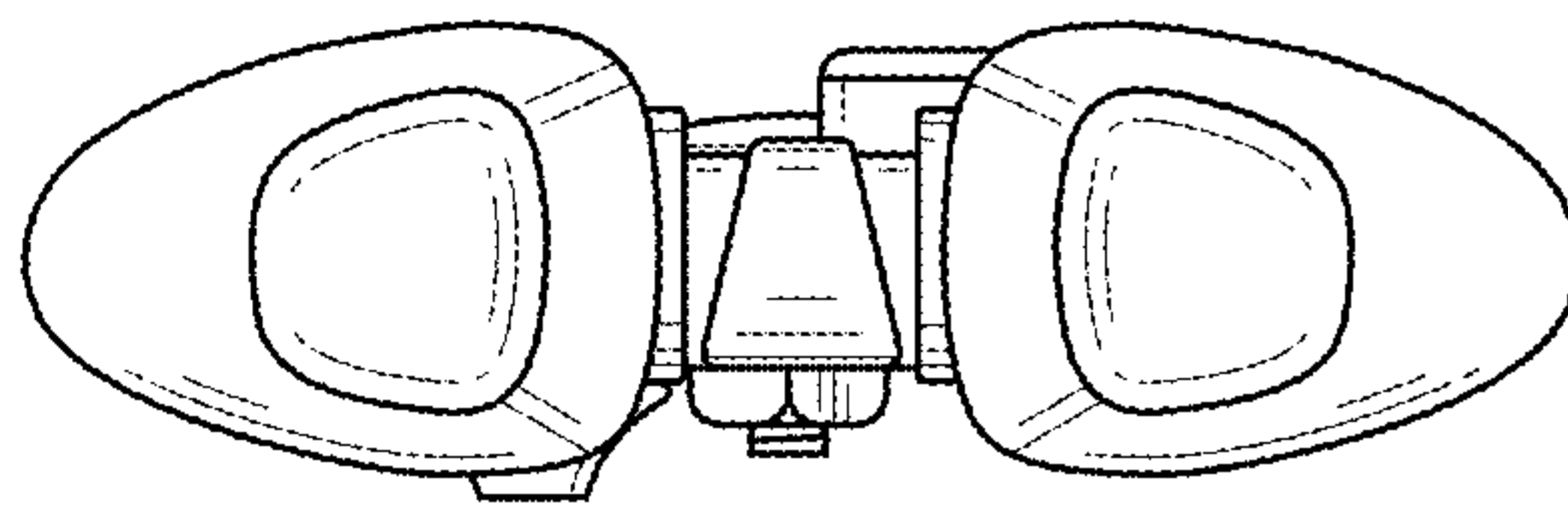


FIG. 7