



US00D802380S

(12) **United States Design Patent** (10) **Patent No.:** **US D802,380 S**  
**McCord et al.** (45) **Date of Patent:** **\*\* Nov. 14, 2017**

(54) **SIFTER DEVICE**  
(71) Applicants: **Jesse R. McCord**, Chico, CA (US);  
**Christa S. McCord**, Chico, CA (US)  
(72) Inventors: **Jesse R. McCord**, Chico, CA (US);  
**Christa S. McCord**, Chico, CA (US)  
(\*\*) Term: **14 Years**  
(21) Appl. No.: **29/513,418**  
(22) Filed: **Dec. 30, 2014**  
(51) **LOC (10) Cl.** ..... **08-01**  
(52) **U.S. Cl.**  
USPC ..... **D8/1**  
(58) **Field of Classification Search**  
USPC ..... D8/1; D7/667; D30/161; D21/532  
CPC ..... F24B 15/007; F24B 15/08; C22B 11/10;  
A01K 1/0117; A01K 1/0107; A01K  
1/0121; A01K 1/0114; A01K 1/035;  
B07B 13/02; B07B 13/04; B07B 13/06  
See application file for complete search history.

D404,854 S \* 1/1999 Howarth ..... D30/161  
D408,599 S \* 4/1999 Vice ..... D30/161  
5,893,336 A \* 4/1999 Vice ..... A01K 1/0114  
119/166  
D512,284 S \* 12/2005 Massey ..... D8/1  
D549,314 S \* 8/2007 Wennerstrom ..... D23/365  
D571,168 S \* 6/2008 Sais ..... D8/1  
D620,325 S \* 7/2010 D'Andrea ..... D7/667  
D652,587 S \* 1/2012 Matsuo ..... D30/161  
8,671,888 B1 \* 3/2014 Lei ..... A01K 1/0121  
119/162  
8,684,186 B2 4/2014 Westgard  
D742,705 S \* 11/2015 Harris ..... D8/1  
D744,302 S \* 12/2015 Westgard ..... D7/667  
D752,399 S \* 3/2016 Walsh ..... D7/667  
2006/0065203 A1 \* 3/2006 Schmidt ..... A01K 1/0114  
119/161

\* cited by examiner

*Primary Examiner* — Sheryl Lane  
(74) *Attorney, Agent, or Firm* — Dennis A. DeBoo

(57) **CLAIM**

The ornamental design for a sifter device, as shown and described.

**DESCRIPTION**

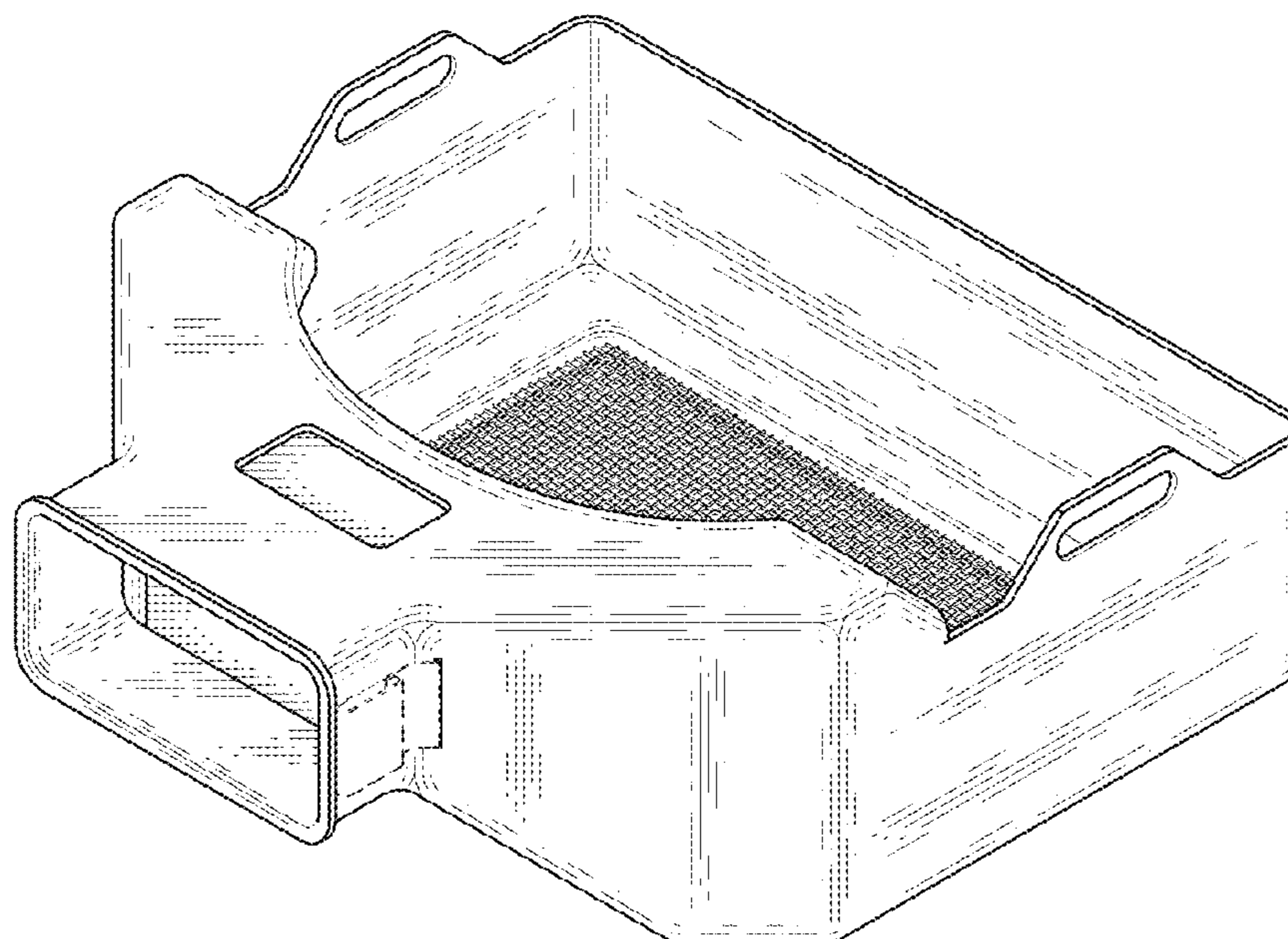
FIG. 1 is a front, side, and top perspective view of a sifter device, showing the new design;  
FIG. 2 is a top view thereof;  
FIG. 3 is a front view thereof;  
FIG. 4 is a rear view thereof;  
FIG. 5 is a left side view thereof;  
FIG. 6 is a right side view thereof; and,  
FIG. 7 is a bottom view thereof.  
The broken lines represent portions of the sifter and form no part of the claimed design.

**1 Claim, 2 Drawing Sheets**

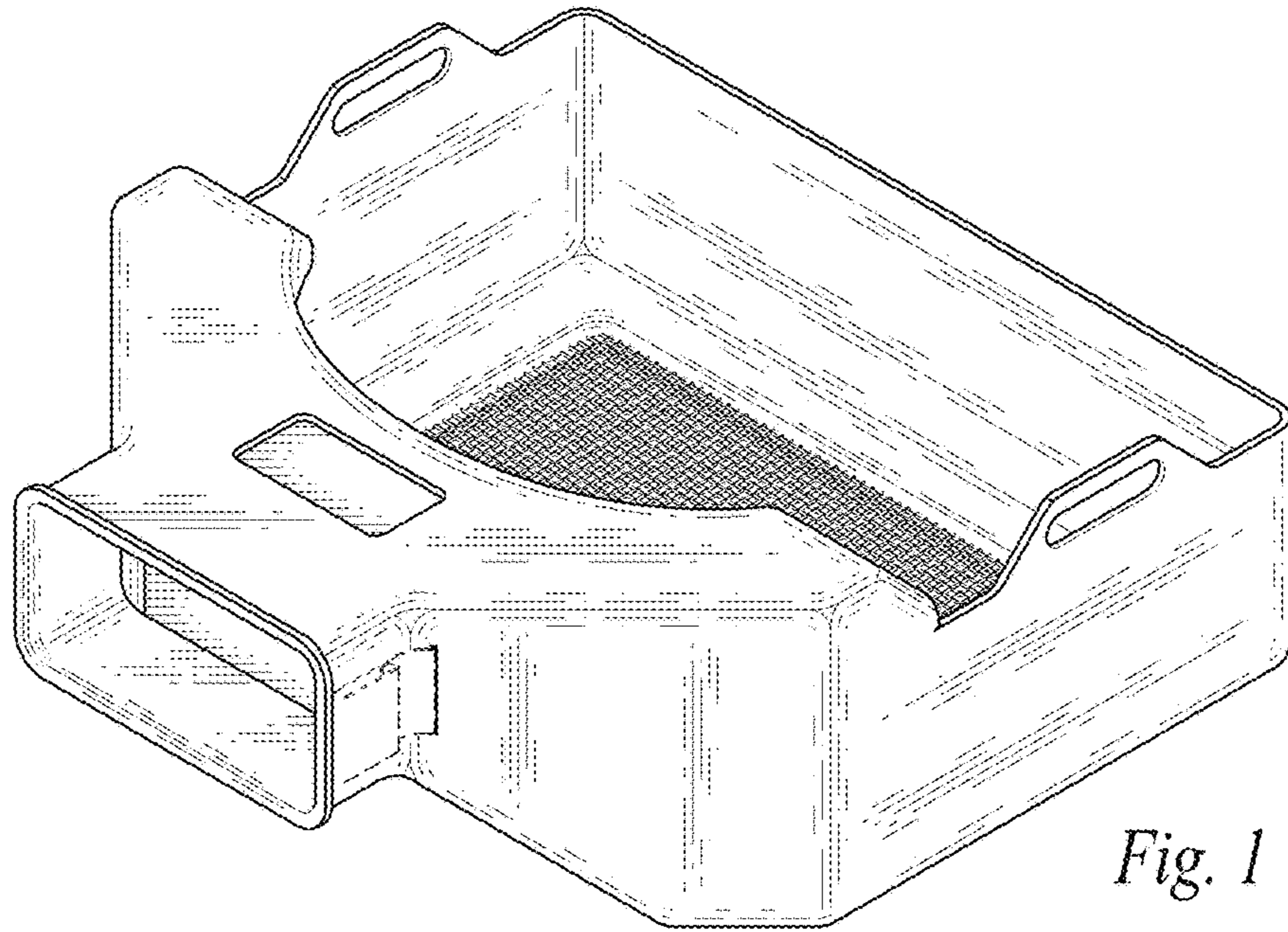
(56) **References Cited**

**U.S. PATENT DOCUMENTS**

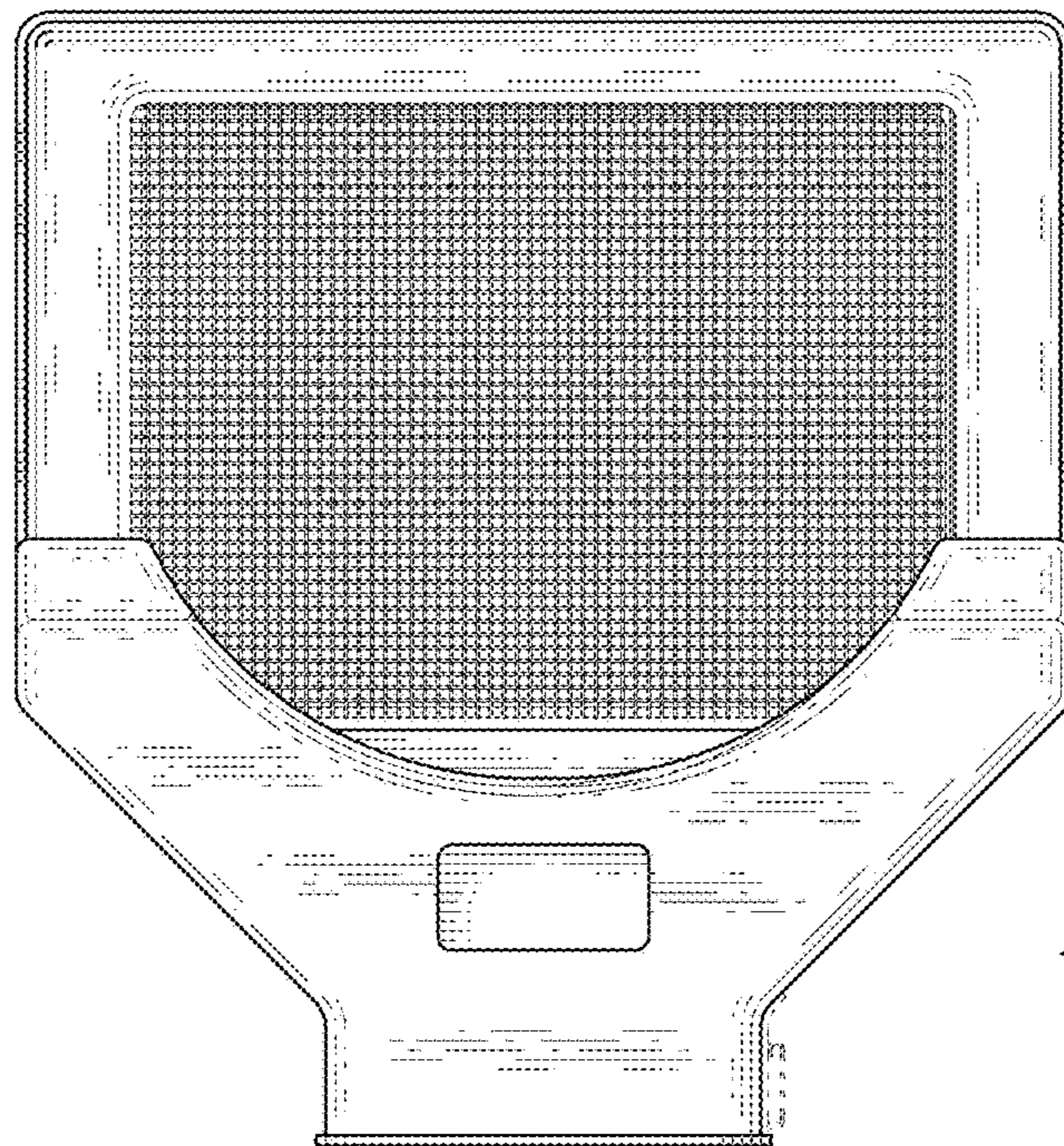
366,492 A 7/1887 Maguire  
1,593,447 A 7/1926 Friedman  
D219,530 S \* 12/1970 Billings, Jr. .... D15/28  
D252,367 S \* 7/1979 Freedman ..... D7/388  
D254,765 S \* 4/1980 Benia ..... D7/388  
4,222,866 A 9/1980 Wilson  
D258,558 S \* 3/1981 Freedman ..... D7/667  
D363,369 S \* 10/1995 Hoth ..... D30/161  
5,622,266 A 4/1997 Curtis  
5,624,038 A 4/1997 Curtis  
D397,280 S \* 8/1998 Schorr ..... D8/1  
D398,663 S \* 9/1998 Frelander ..... D21/532



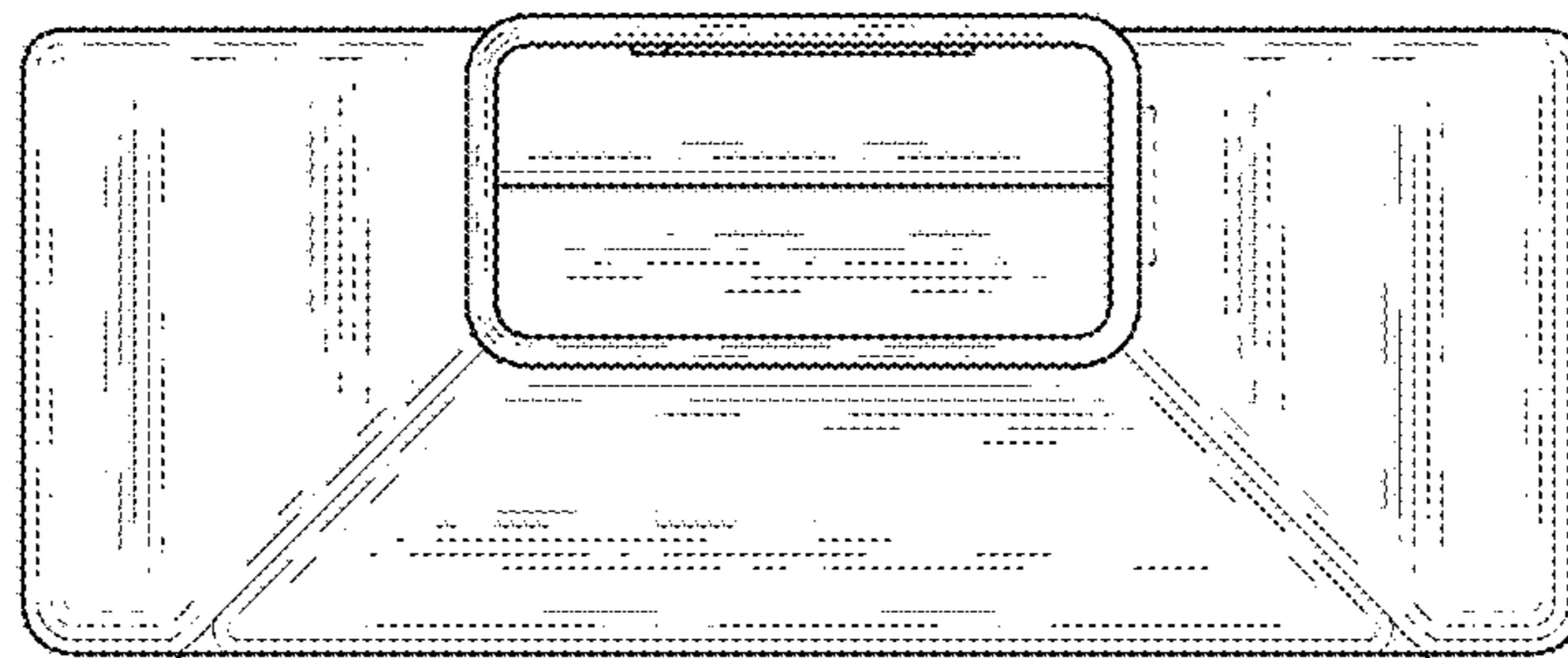




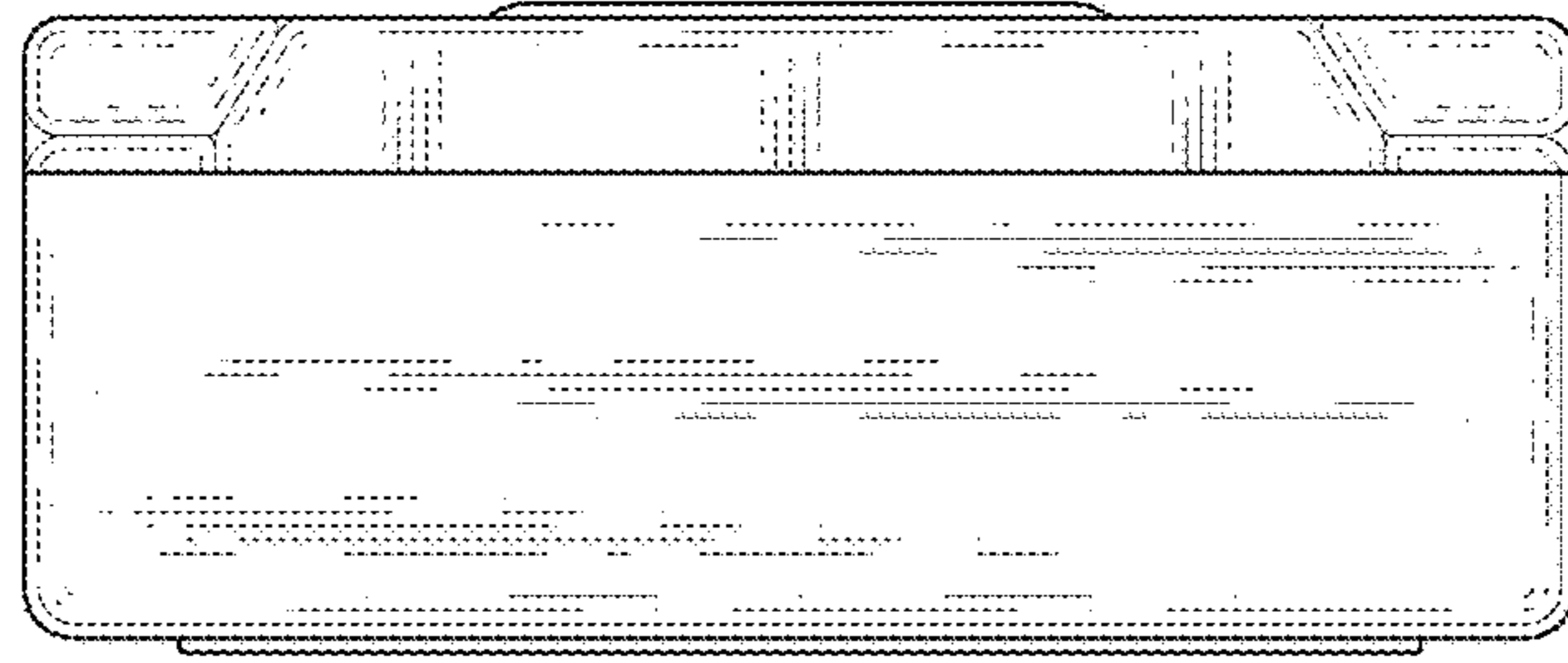
*Fig. 1*



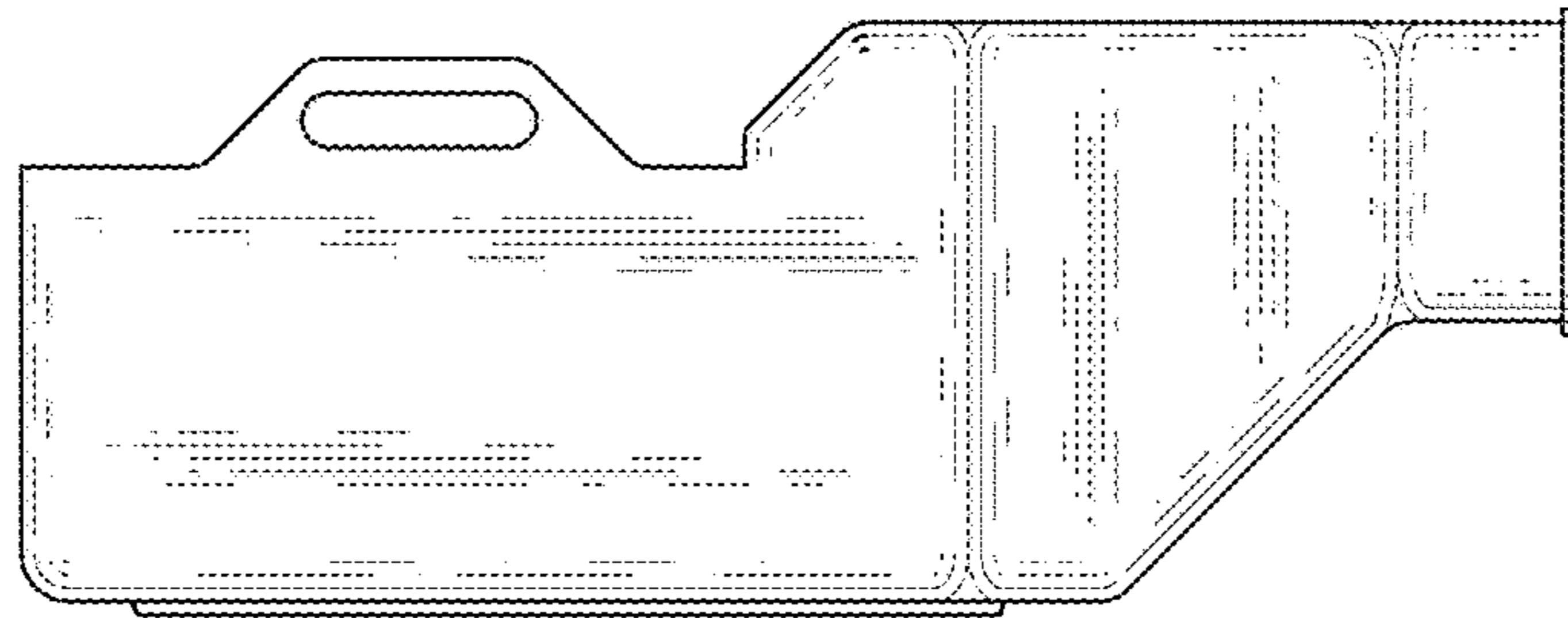
*Fig. 2*



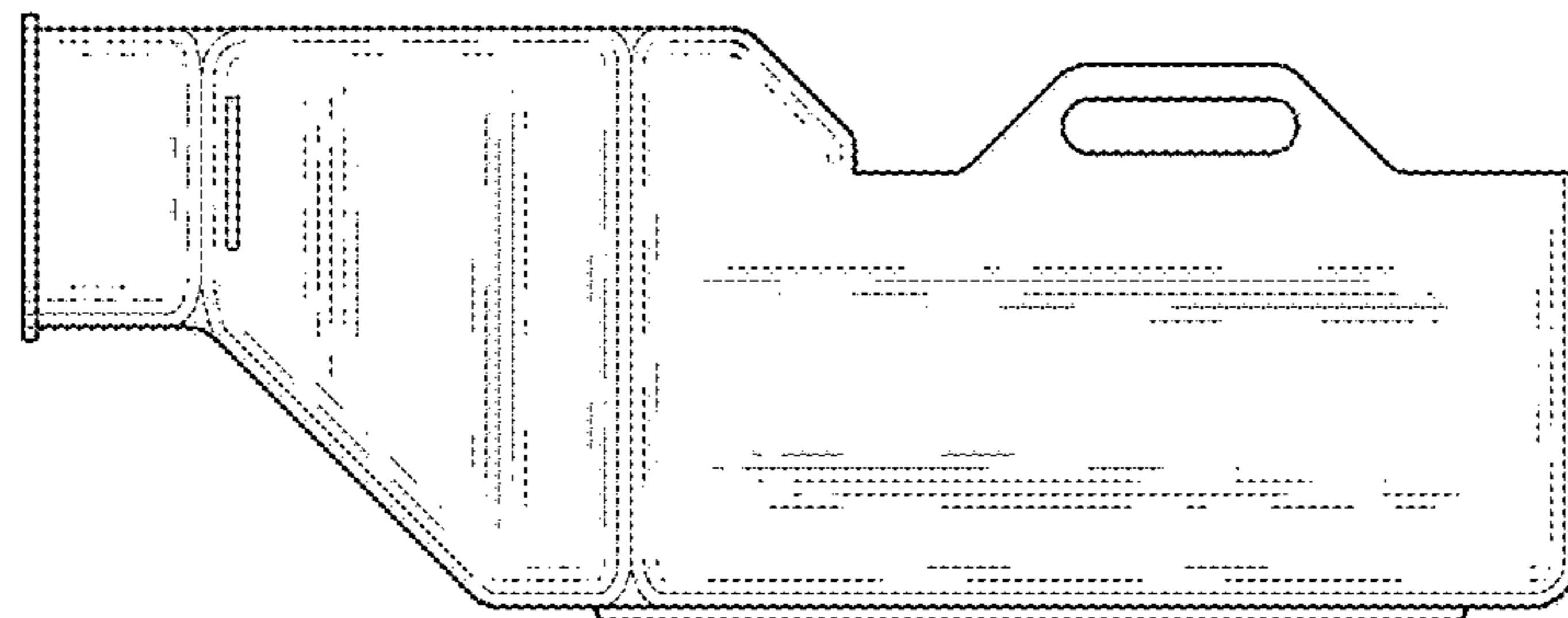
*Fig. 3*



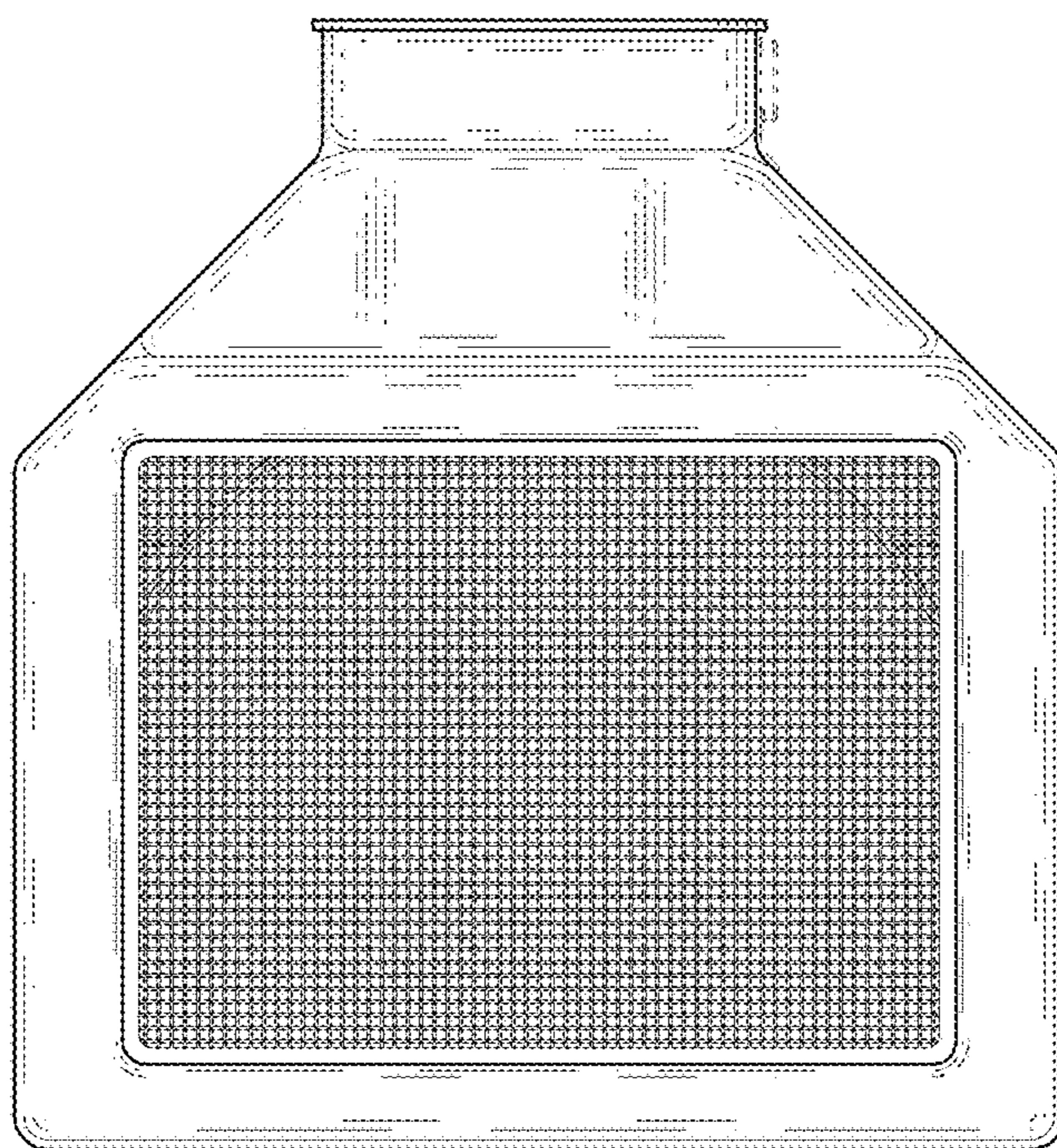
*Fig. 4*



*Fig. 5*



*Fig. 6*



*Fig. 7*