



US00D802379S

(12) **United States Design Patent** (10) **Patent No.:** **US D802,379 S**
Raphael (45) **Date of Patent:** **** *Nov. 14, 2017**

(54) **ADJUSTABLE FOOD PREPARATION DEVICE**

(71) Applicant: **Menachem Raphael**, Mount Dora, FL (US)

(72) Inventor: **Menachem Raphael**, Mount Dora, FL (US)

(*) Notice: This patent is subject to a terminal disclaimer.

(**) Term: **14 Years**

(21) Appl. No.: **29/526,568**

(22) Filed: **May 11, 2015**

(51) **LOC (10) Cl.** **07-04**

(52) **U.S. Cl.**
USPC **D7/698**

(58) **Field of Classification Search**

USPC D6/349, 406.3, 406.5, 406.6; D7/543, D7/549, 550.1, 552.2, 555, 586, 698-699; D21/522; D30/118; D32/55-57; D34/11
CPC .. A47B 3/08; A47B 77/02; A47J 47/00; A47J 47/005; A47J 47/20; B26D 7/0006; B26D 7/018; B26D 7/20; B23D 21/00; B23K 37/04; B23K 37/053; B23Q 16/001; B65F 1/10

See application file for complete search history.

(56) **References Cited**

U.S. PATENT DOCUMENTS

D152,153 S * 12/1948 Harvey D6/349
2,609,024 A * 9/1952 Russ A47J 47/005
269/15
D281,850 S * 12/1985 Morin D7/698

(Continued)

Primary Examiner — Ricky Pham

(74) *Attorney, Agent, or Firm* — The Law Office of Jerry D. Haynes

(57) **CLAIM**

The ornamental design for an adjustable food preparation device, as shown and described.

DESCRIPTION

FIG. 1 depicts a perspective view of an adjustable food preparation device in accordance with an exemplary embodiment of the present invention showing an underside of the adjustable food preparation device;

FIG. 2 depicts a second perspective view of the adjustable food preparation device in accordance with an exemplary embodiment of the present invention showing a top view of the adjustable food preparation device;

FIG. 3 depicts a front side view of the adjustable food preparation device in a standing position in accordance with an exemplary embodiment of the present invention;

FIG. 4 depicts a rear side view of the adjustable food preparation device in a standing position in accordance with an exemplary embodiment of the present invention;

FIG. 5 depicts a first side view of the adjustable food preparation device in a standing position in accordance with an exemplary embodiment of the present invention;

FIG. 6 depicts a second side view of the adjustable food preparation device in a standing position in accordance with an exemplary embodiment of the present invention;

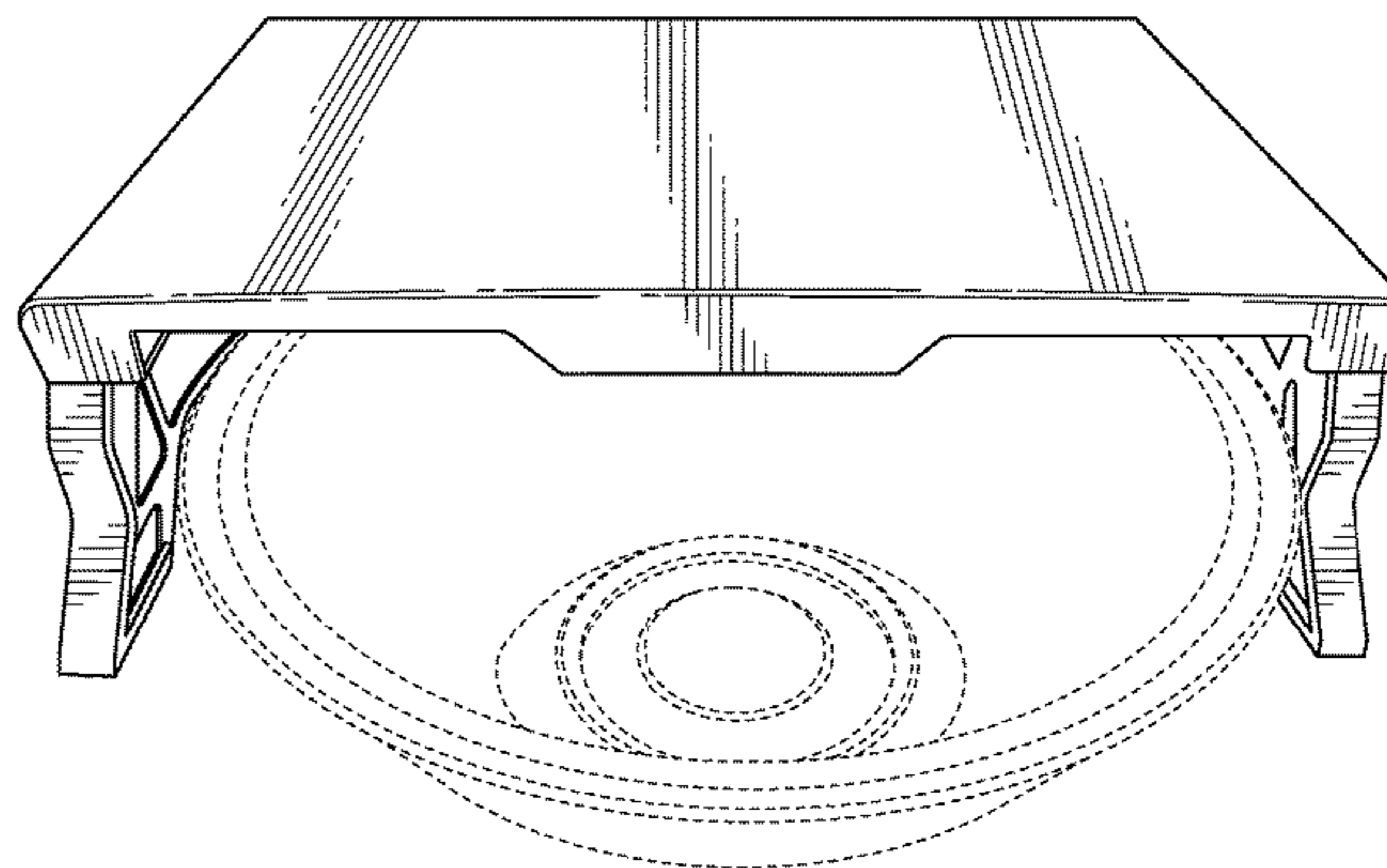
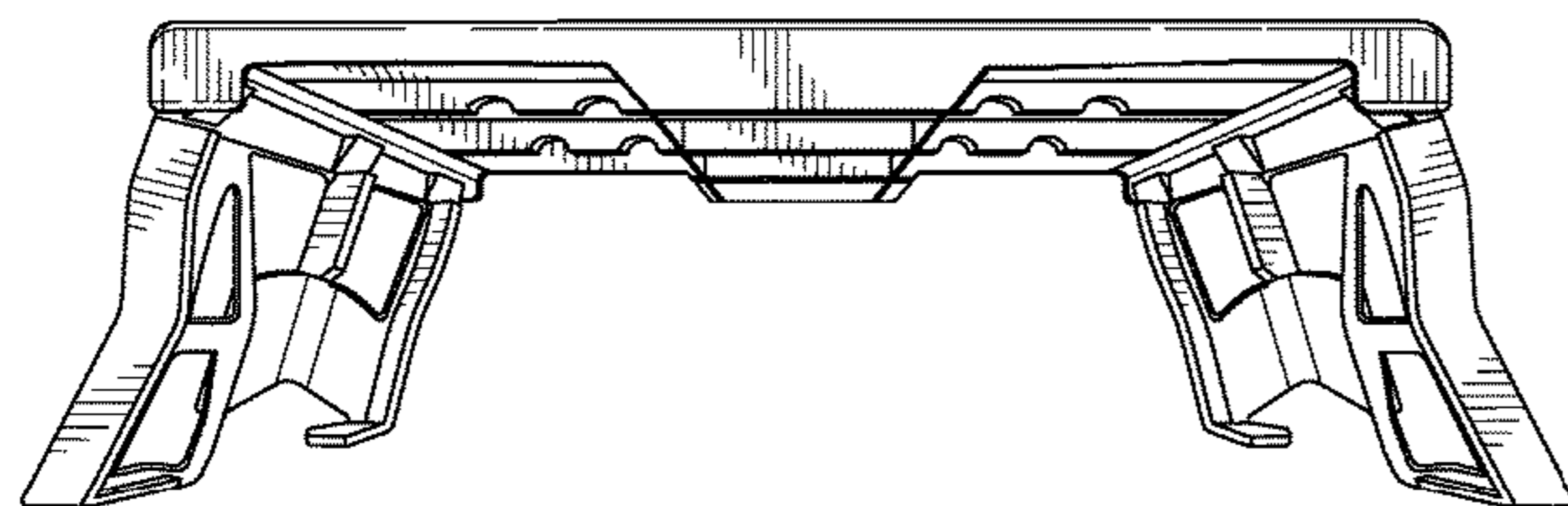
FIG. 7 depicts a top view of the adjustable food preparation device in accordance with an exemplary embodiment of the present invention showing a top surface.

FIG. 8 depicts a bottom view of the adjustable food preparation device in accordance with an exemplary embodiment of the present invention where each leg is extended; and,

FIG. 9 depicts a second bottom view of the adjustable food preparation device in accordance with an exemplary embodiment of the present invention where each leg is folded.

The broken lines shown in the drawings are for illustrative purposes only and form no part of the claimed design.

1 Claim, 5 Drawing Sheets



(56)

References Cited

U.S. PATENT DOCUMENTS

D282,043 S * 1/1986 Morin D6/406.6
D283,777 S * 5/1986 Morin D6/406.6
D289,247 S * 4/1987 Wang D6/406.6
4,972,781 A * 11/1990 Montgomery A47B 3/08
108/19
5,363,755 A * 11/1994 Liang A47B 77/02
241/273.2
D358,511 S * 5/1995 Frahm D21/522
D390,718 S * 2/1998 Howland D6/406.6
D545,523 S * 6/2007 Goldberg D34/11
D574,200 S * 8/2008 Pearl D7/698
D605,908 S * 12/2009 Pearl D7/698
D638,265 S * 5/2011 Shamoon D7/698
D655,939 S * 3/2012 Tracy D7/698
D668,472 S * 10/2012 Wong D6/406.5
D675,071 S * 1/2013 Kramer D7/698
D677,130 S * 3/2013 Robinson D7/698
D679,921 S * 4/2013 Kiechler D6/406.5
8,528,489 B2 * 9/2013 Roy A47B 3/08
108/125
D718,582 S * 12/2014 Parijogi D7/698
D723,830 S * 3/2015 Tcholakov D6/406.6
D724,793 S * 3/2015 Hansen D30/118
D754,988 S * 5/2016 Fountain, Jr. D6/406.3
2003/0218290 A1 * 11/2003 Goldberg B65F 1/10
269/289 R
2007/0001359 A1 * 1/2007 Pearl A47J 47/005
269/289 R

* cited by examiner

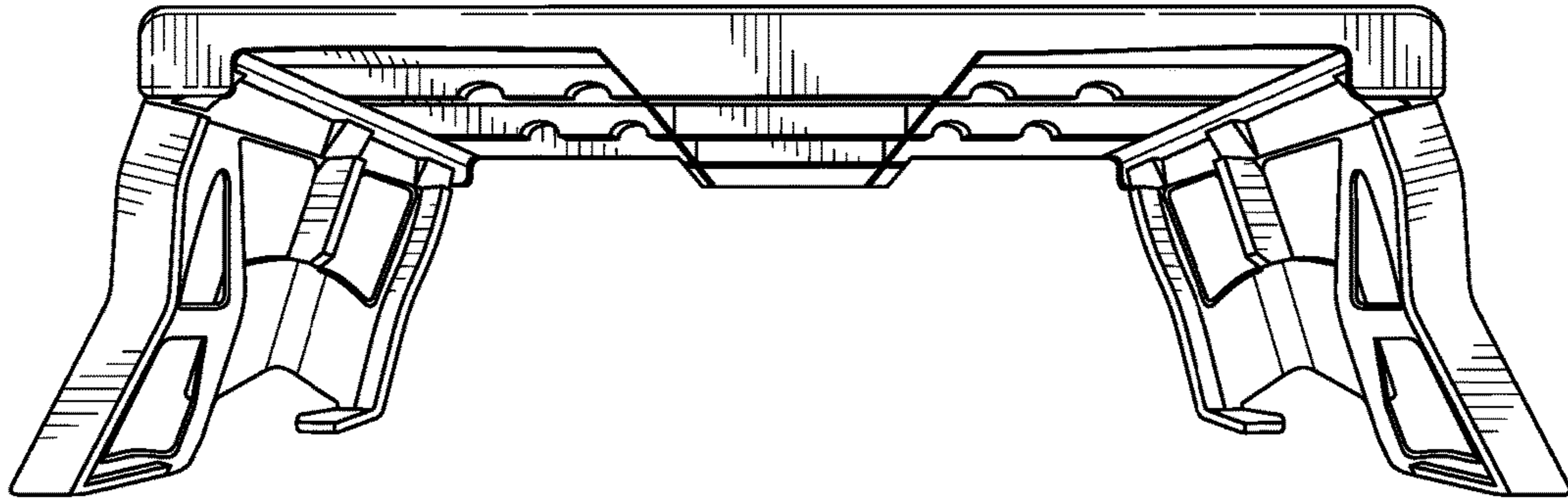


FIG. 1

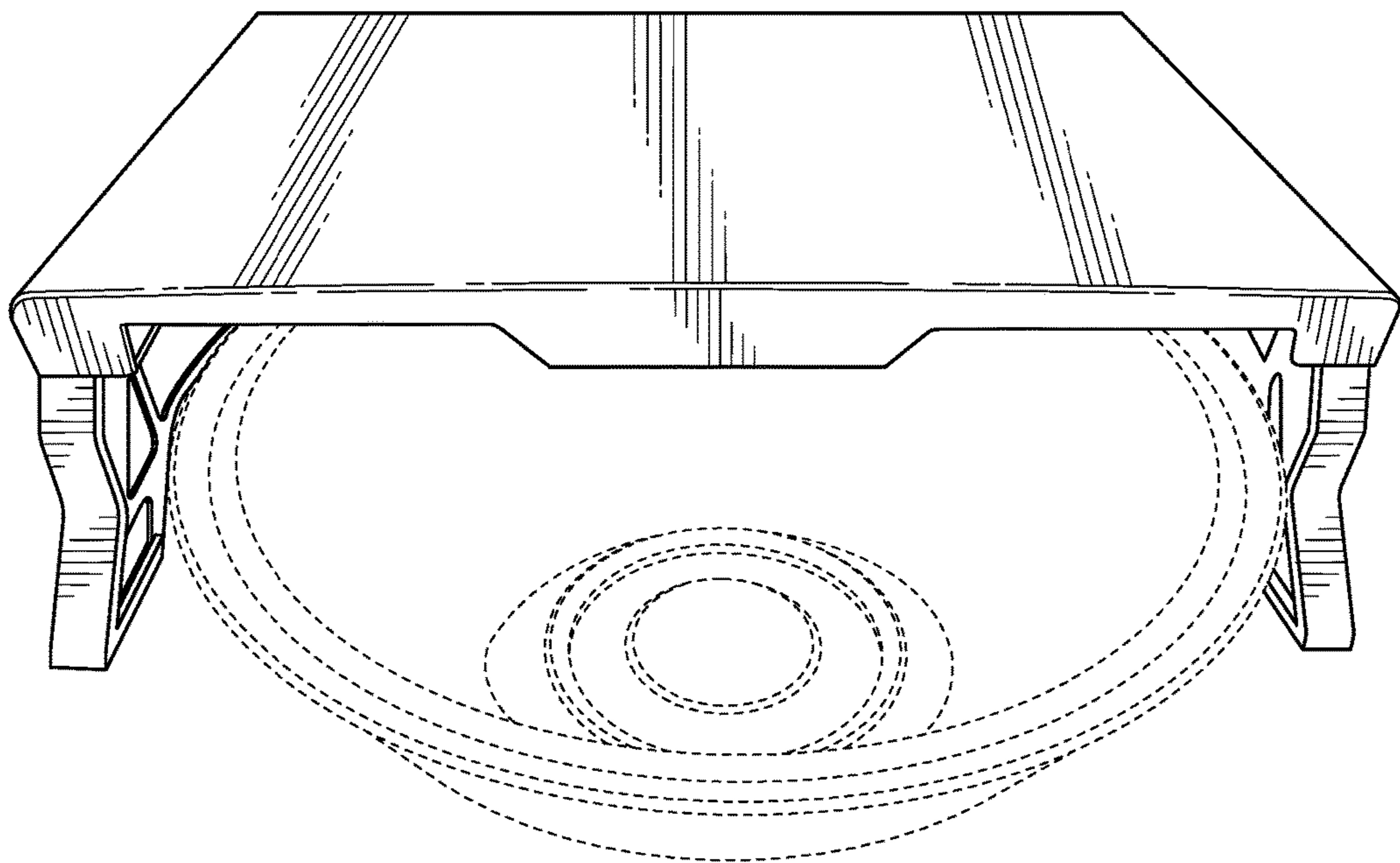


FIG. 2

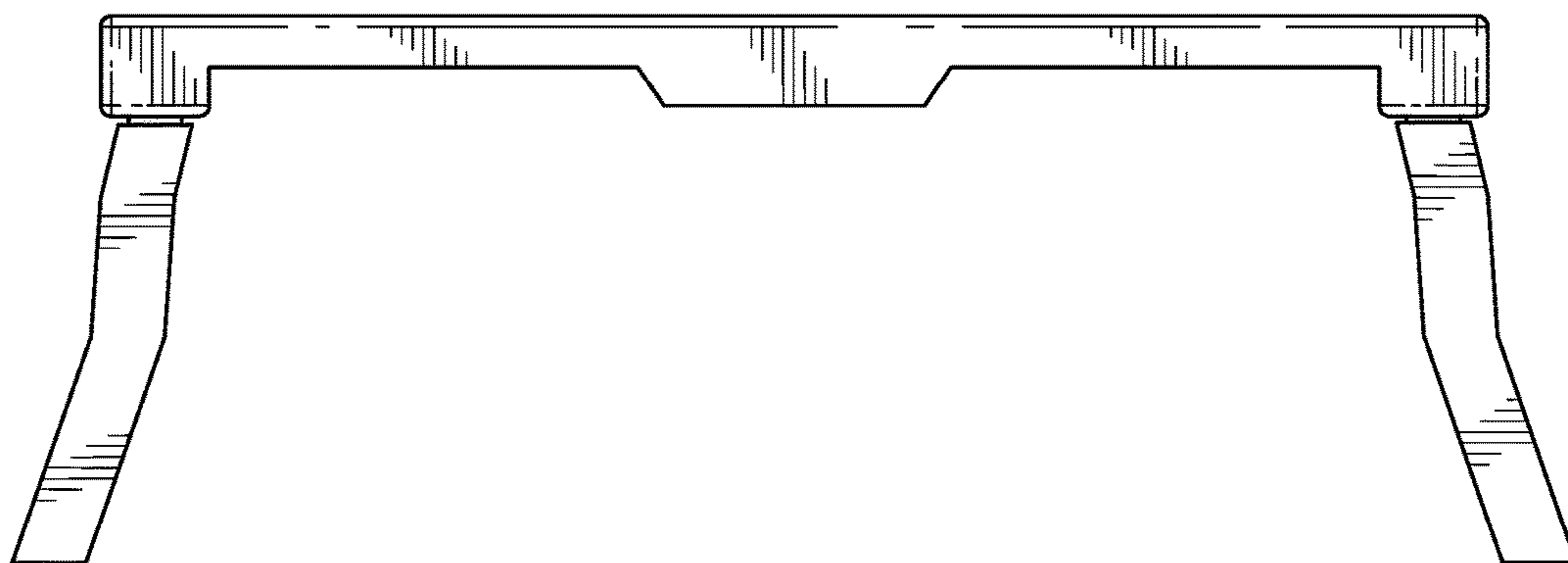


FIG. 3

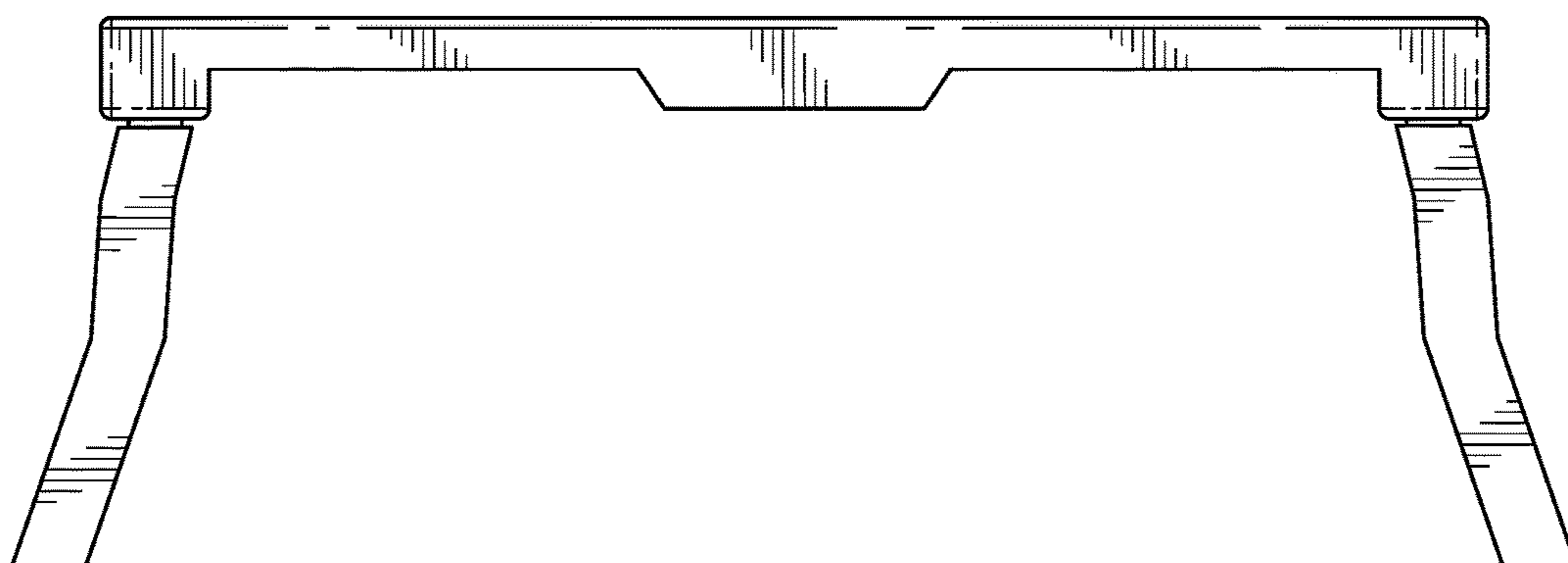


FIG. 4

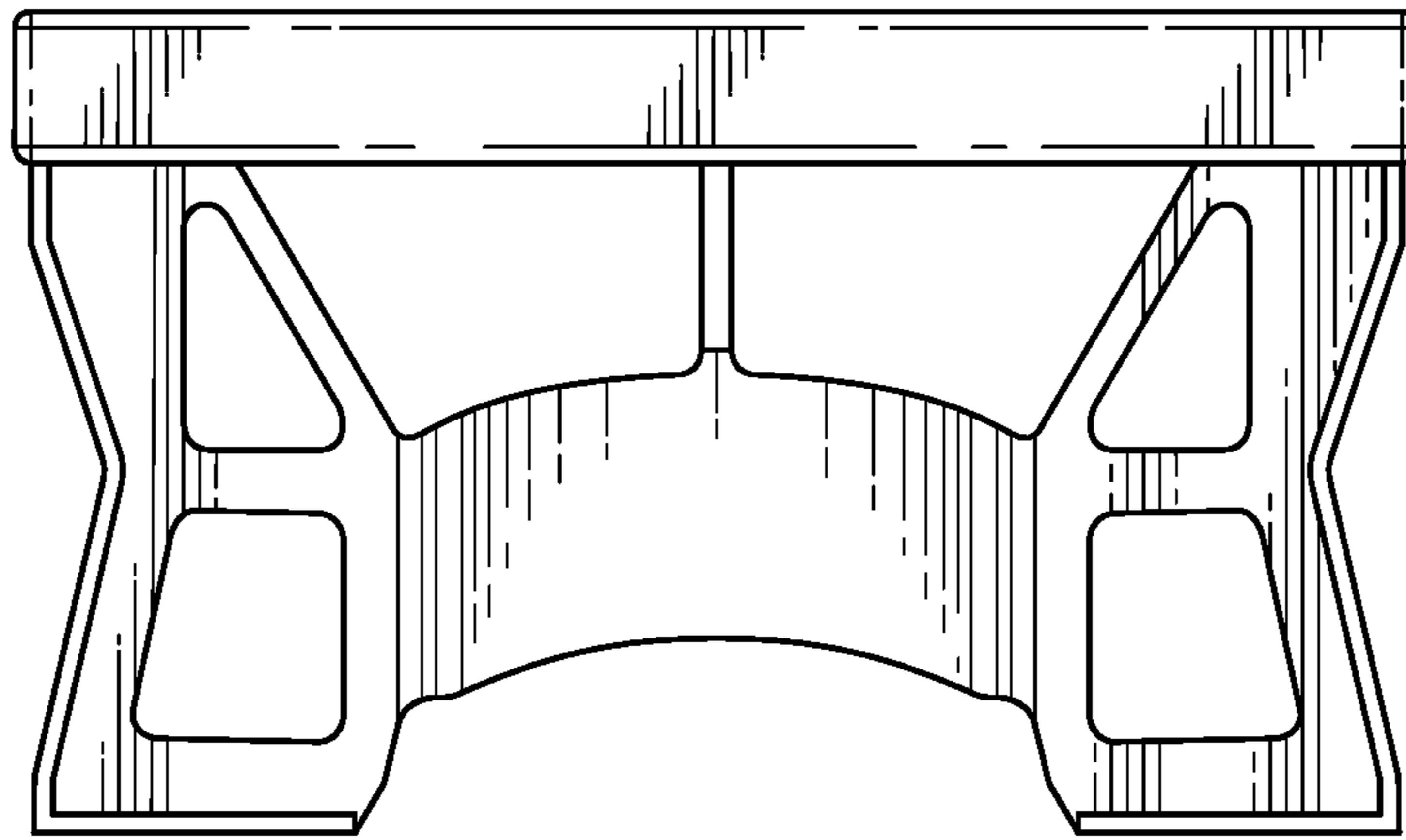


FIG. 5

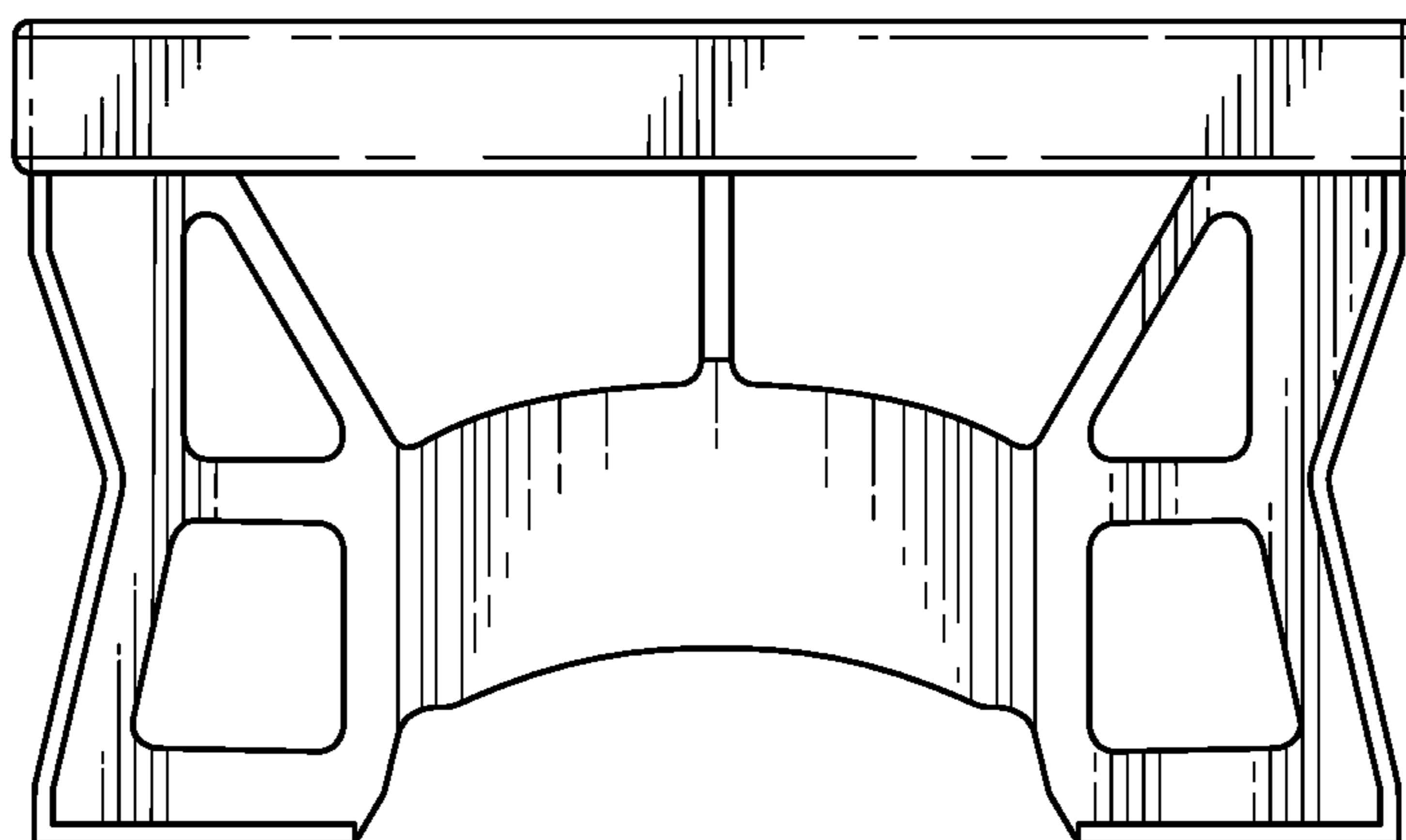


FIG. 6

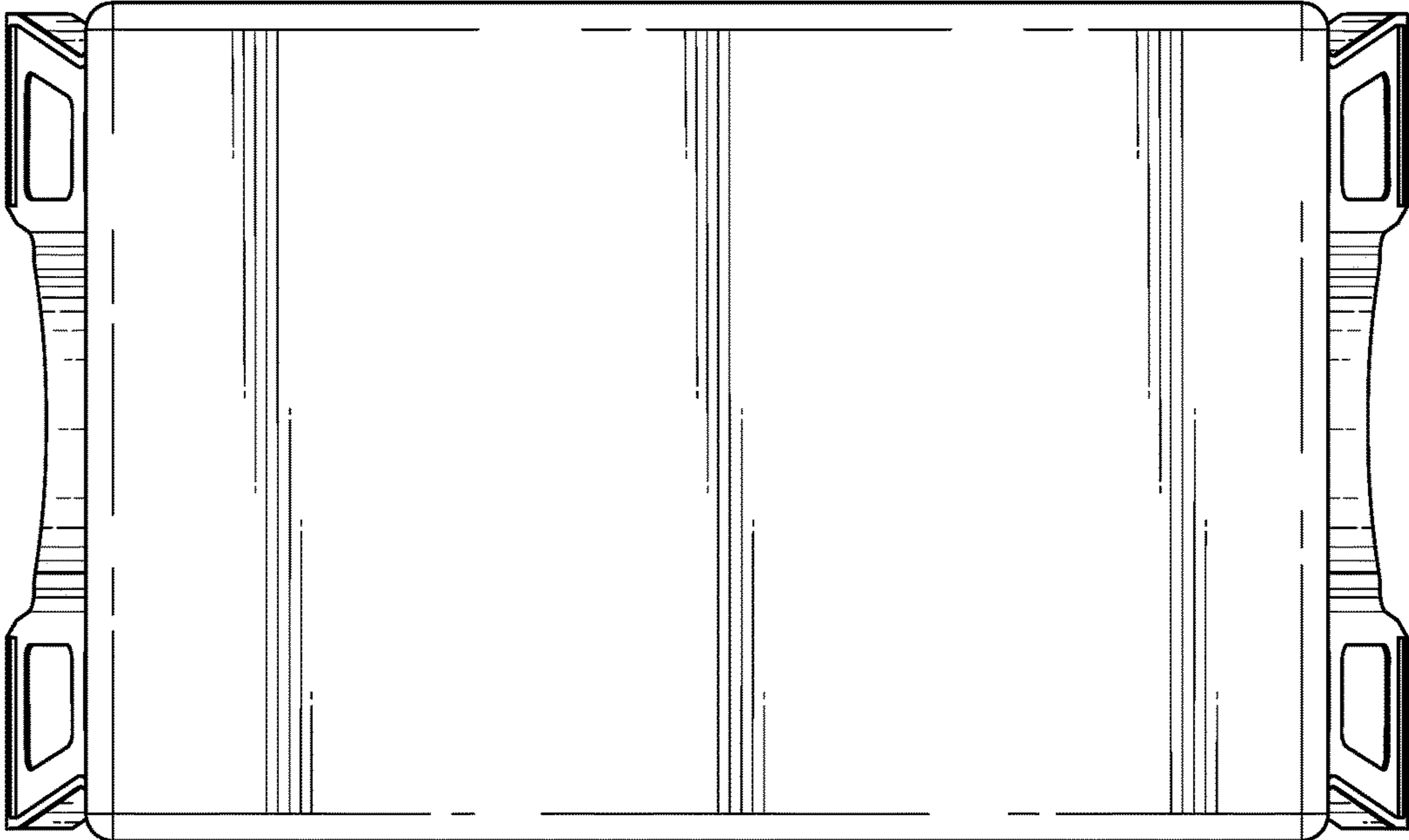


FIG. 7

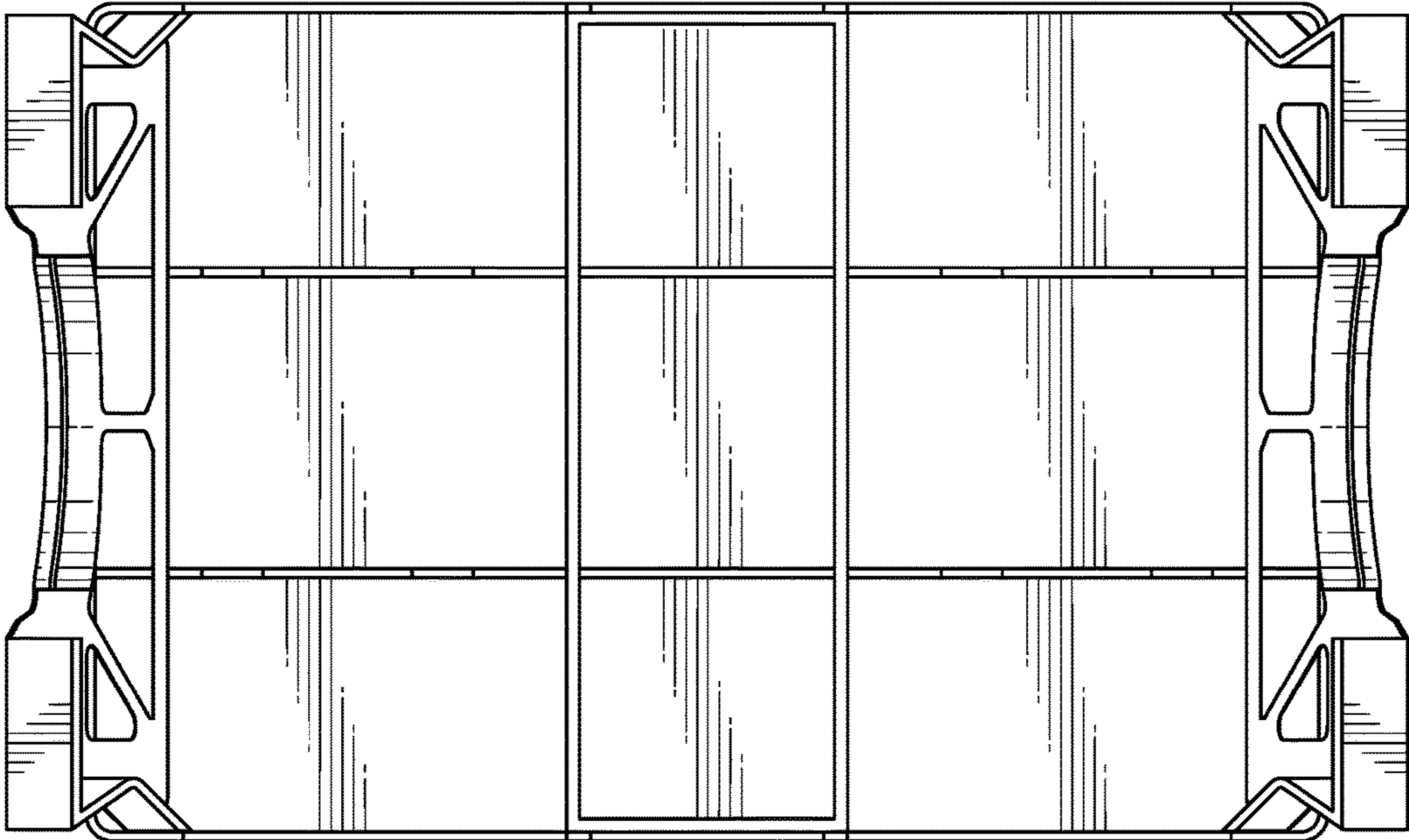


FIG. 8

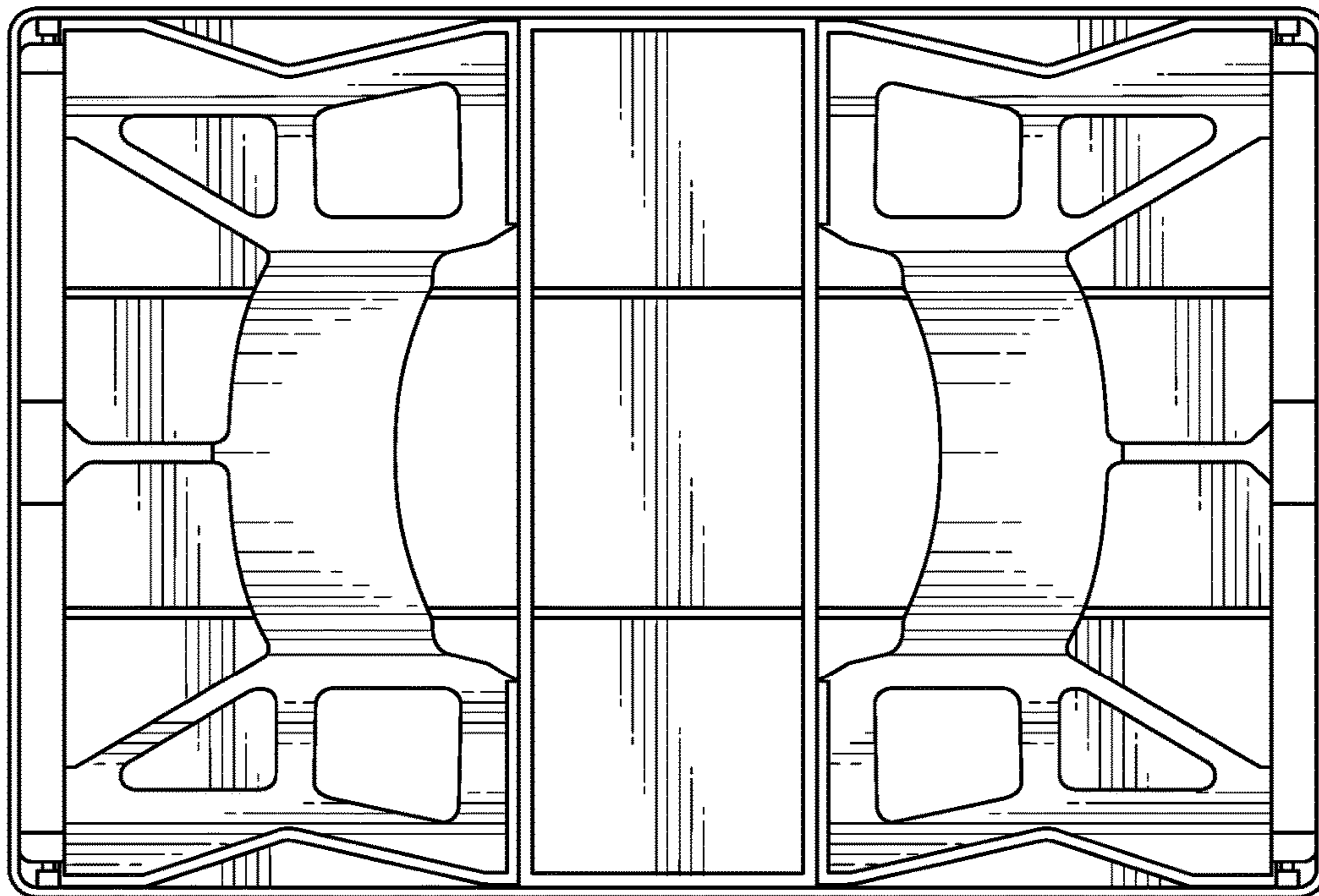


FIG. 9