



US00D802378S

(12) **United States Design Patent**
Harrison et al.

(10) **Patent No.:** **US D802,378 S**

(45) **Date of Patent:** **** Nov. 14, 2017**

(54) **ROTATING ROASTING STICK WITH DUAL PRONG END**

(71) Applicants: **Roger Harrison**, South Jordan, UT (US); **Spencer Harrison**, South Jordan, UT (US); **Tanner Harrison**, South Jordan, UT (US)

(72) Inventors: **Roger Harrison**, South Jordan, UT (US); **Spencer Harrison**, South Jordan, UT (US); **Tanner Harrison**, South Jordan, UT (US)

(**) Term: **15 Years**

(21) Appl. No.: **29/555,298**

(22) Filed: **Feb. 19, 2016**

(51) **LOC (10) Cl.** **07-02**

(52) **U.S. Cl.**
USPC **D7/683**

(58) **Field of Classification Search**
USPC D7/680-696, 393, 395
CPC A47J 43/18; A47J 43/283; A47J 33/00;
A47J 37/0694; A47G 21/02; A47G
21/023
See application file for complete search history.

(56) **References Cited**

U.S. PATENT DOCUMENTS

2,191,226	A *	2/1940	Clem	A47J 37/0694 294/50
2,517,448	A *	8/1950	Schmeling	A47J 33/00 126/30
2,649,042	A *	8/1953	Wickman	A47J 37/0694 140/118
2,876,694	A *	3/1959	Thomas	A47J 37/0694 16/426

5,117,558	A *	6/1992	Hull	A47J 43/18 30/323
D377,888	S *	2/1997	Griffin	D7/683
D395,988	S *	7/1998	Badour	D7/683
5,775,207	A *	7/1998	Warren	A47J 43/283 99/394
D411,083	S *	6/1999	Clark	D7/683
D496,835	S *	10/2004	Scott	D7/683
D713,695	S *	9/2014	Hurt	D7/683
D714,106	S *	9/2014	Harrison	D7/669

* cited by examiner

Primary Examiner — Terry A Wallace

(74) *Attorney, Agent, or Firm* — Lyman Moulton, Esq.

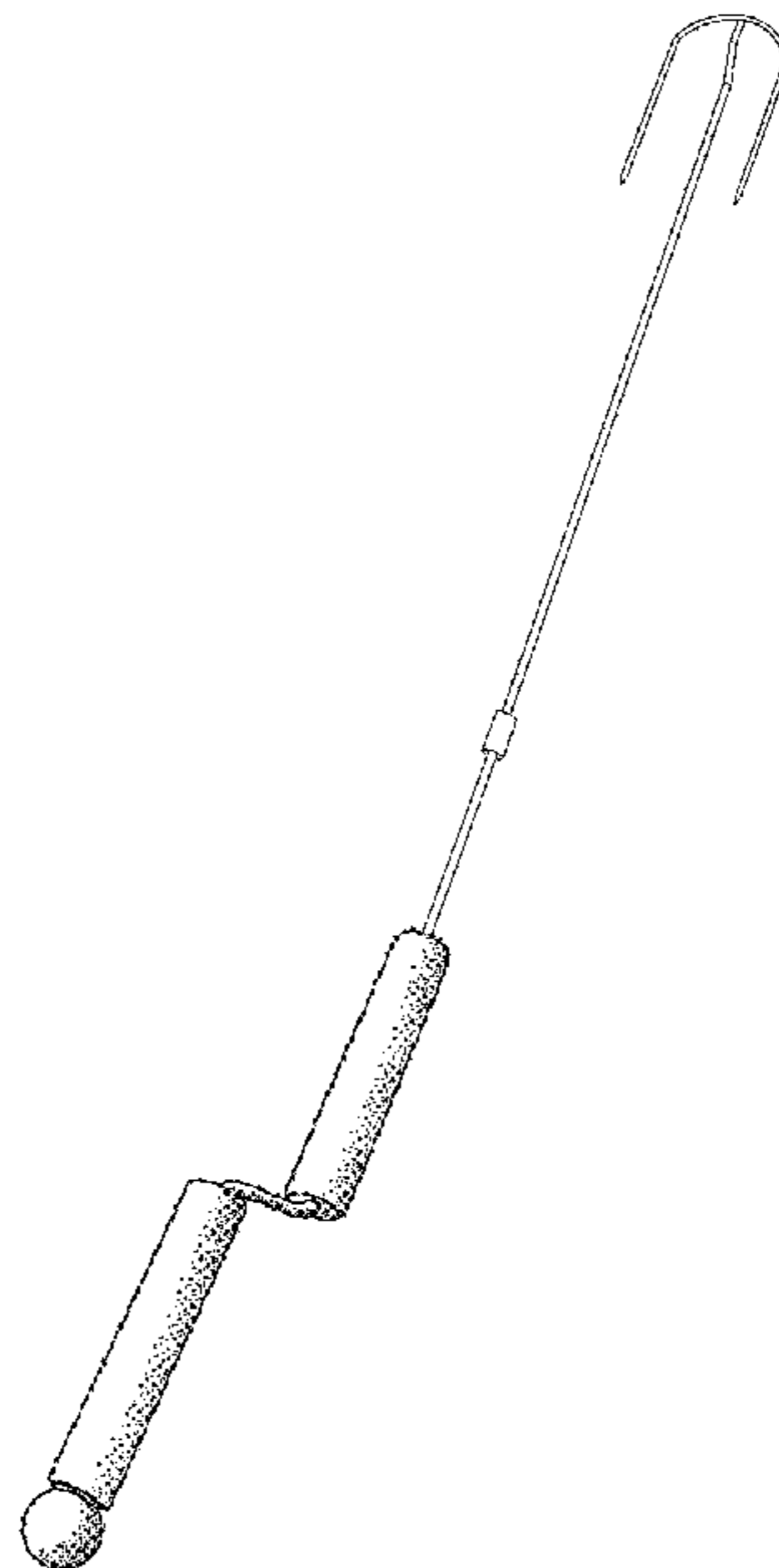
(57) **CLAIM**

The ornamental design for a rotating roasting stick with dual prong end, as shown and described.

DESCRIPTION

FIG. 1 is a top left perspective view of a rotating roasting stick with dual prong end showing my new design, a bottom left perspective view being identical;
 FIG. 2 is a top left perspective split view thereof;
 FIG. 3 is a bottom left perspective split view thereof;
 FIG. 4 is a top elevational split view of a handles end, a bottom elevational split view of the handles end being identical;
 FIG. 5 is a top elevational split view of the dual prong end, a bottom elevational split view of the dual prong end being identical;
 FIG. 6 is a side elevational split view of the dual prong end facing toward the top; and,
 FIG. 7 is a side elevational split view of the dual prong end facing toward the bottom.

1 Claim, 4 Drawing Sheets



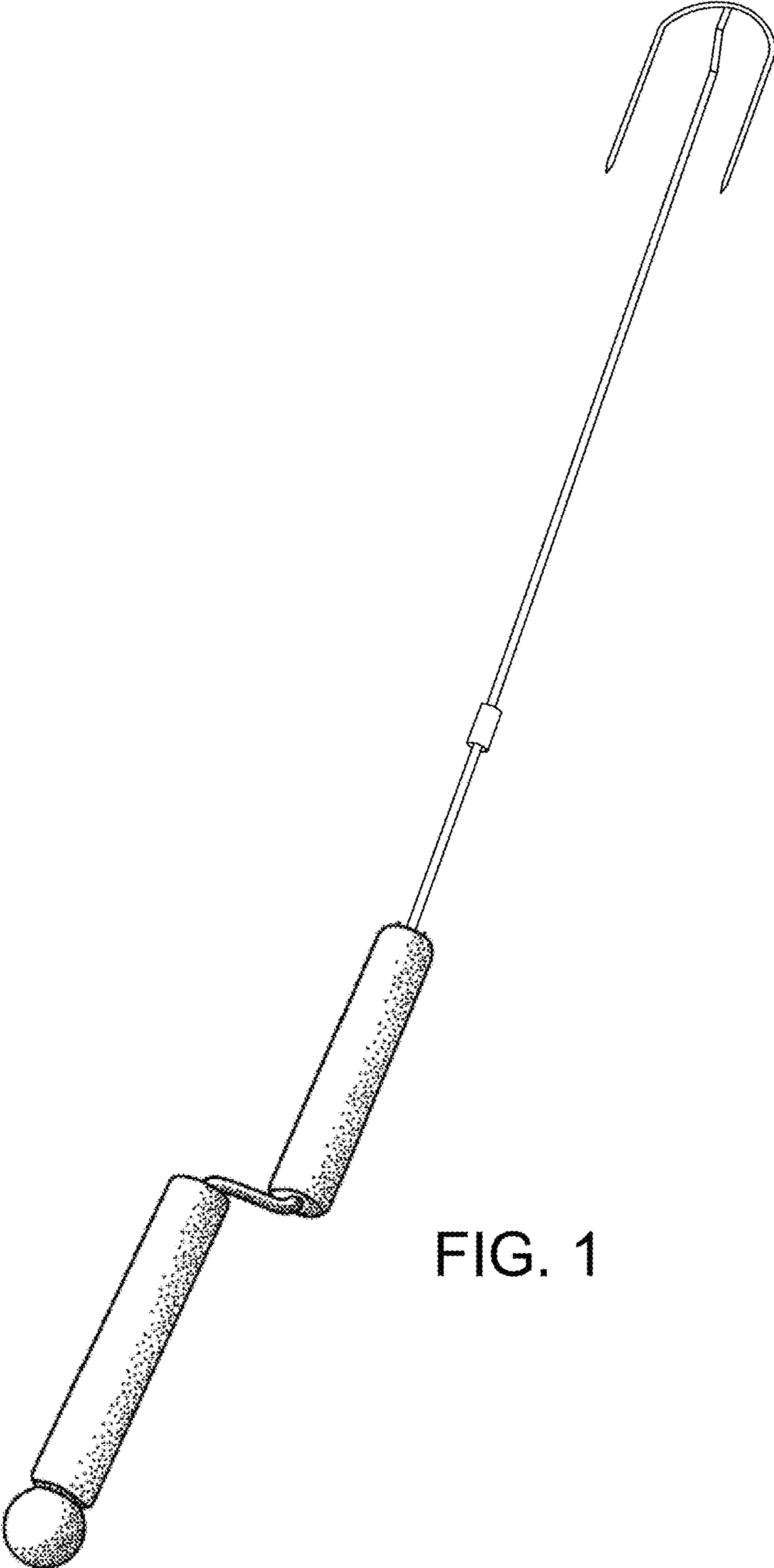


FIG. 1

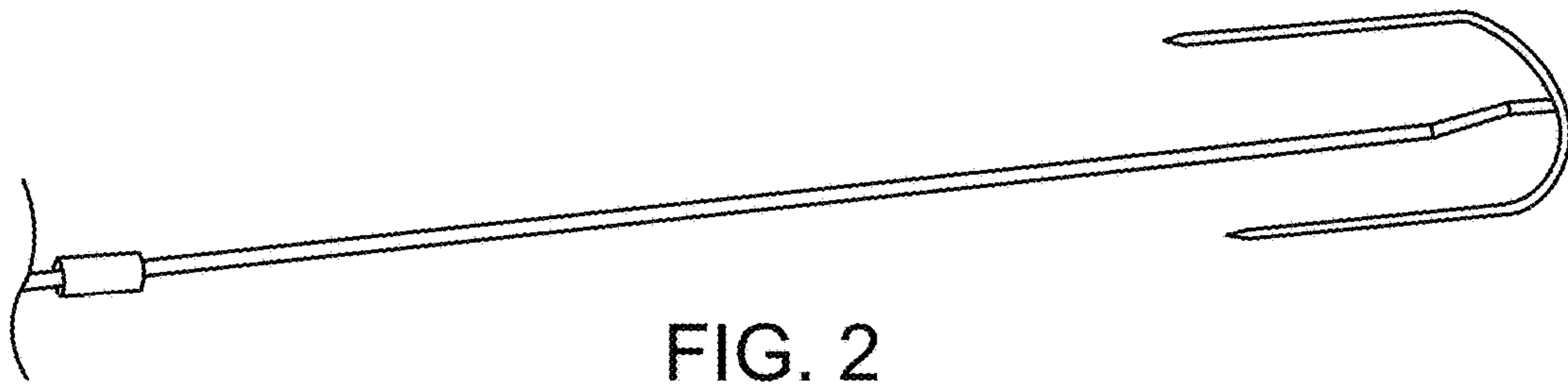


FIG. 2

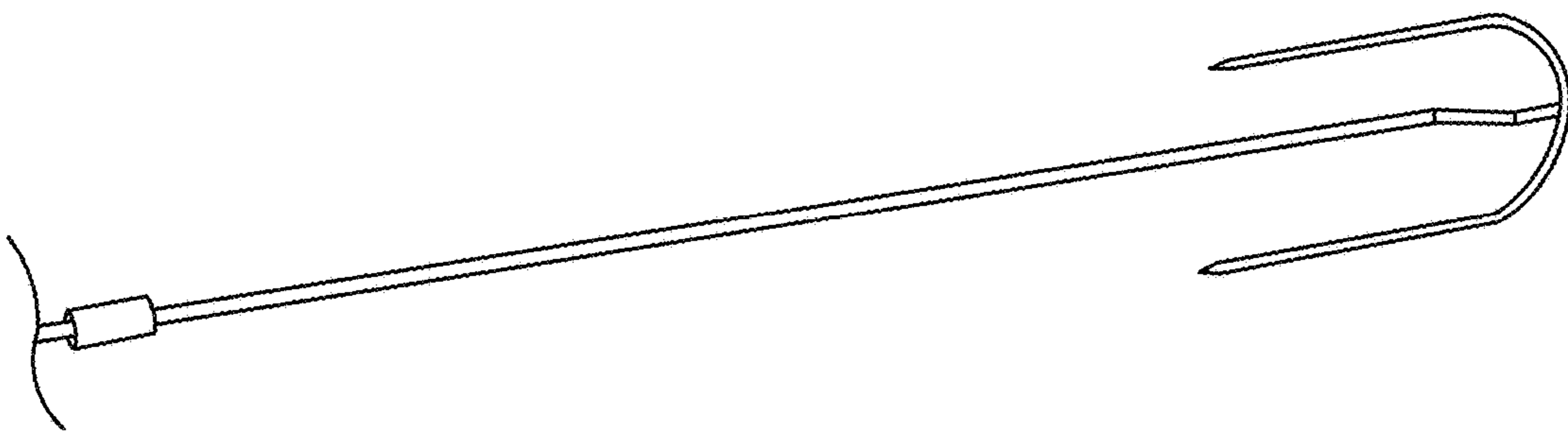


FIG. 3

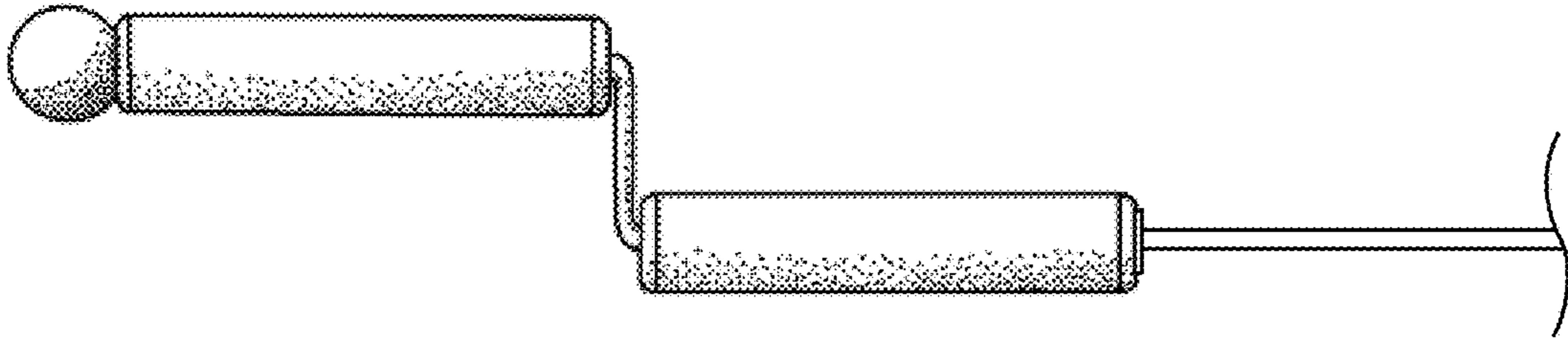


FIG. 4

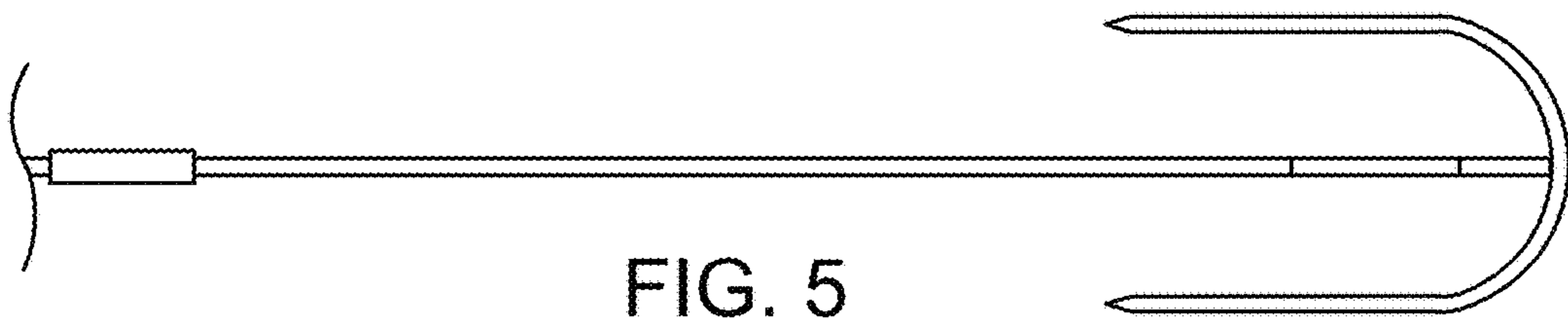


FIG. 5



FIG. 6

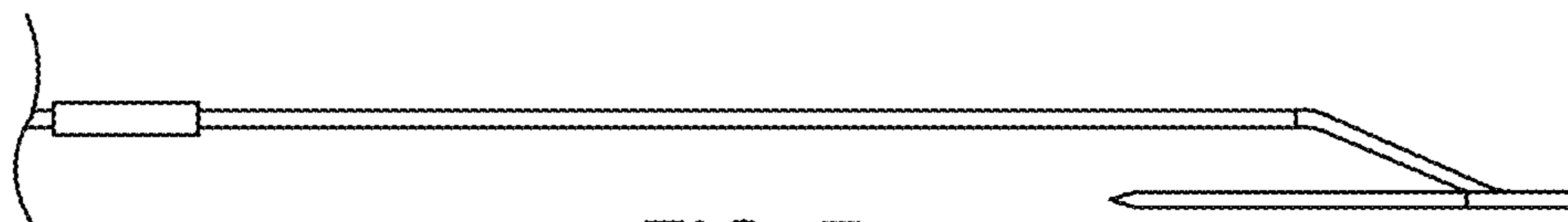


FIG. 7