



US00D802372S

(12) **United States Design Patent** (10) **Patent No.:** **US D802,372 S**
Ljung (45) **Date of Patent:** **** Nov. 14, 2017**

(54) **LID HOLDING DEVICE**

(71) Applicant: **Kenneth Ljung**, Roseville, MN (US)

(72) Inventor: **Kenneth Ljung**, Roseville, MN (US)

(**) Term: **15 Years**

(21) Appl. No.: **29/579,279**

(22) Filed: **Sep. 29, 2016**

Related U.S. Application Data

(63) Continuation-in-part of application No. 14/814,045, filed on Jul. 30, 2015, now Pat. No. 9,480,366.

(51) **LOC (10) Cl.** **07-99**

(52) **U.S. Cl.**
USPC **D7/601**

(58) **Field of Classification Search**
USPC D7/601, 637, 704, 619.1, 620, 622
CPC A47G 29/083; A47J 47/16; A47J 36/06;
F16M 13/02

See application file for complete search history.

(56) **References Cited**

U.S. PATENT DOCUMENTS

369,786 A	9/1887	Harrison
1,566,920 A	12/1925	Pie
2,532,255 A	11/1950	Davis
2,606,666 A	8/1952	Gray
2,633,994 A	4/1953	Brown
2,662,717 A	12/1953	Johnson
2,692,108 A	10/1954	Neivert
2,987,289 A	6/1961	Wamsley
3,780,875 A	12/1973	Scholl
4,290,531 A	9/1981	Lazarus, III
5,038,945 A	8/1991	Melkonian
5,094,417 A	3/1992	Creed
5,458,301 A	10/1995	Cournoyer
6,003,688 A	12/1999	Steidle
6,227,387 B1	5/2001	Rose

(Continued)

Primary Examiner — Terry Wallace

(74) *Attorney, Agent, or Firm* — Global Intellectual Property Agency, LLC; Jordan Sworen

(57) **CLAIM**

The ornamental design for a lid holding device, as shown and described.

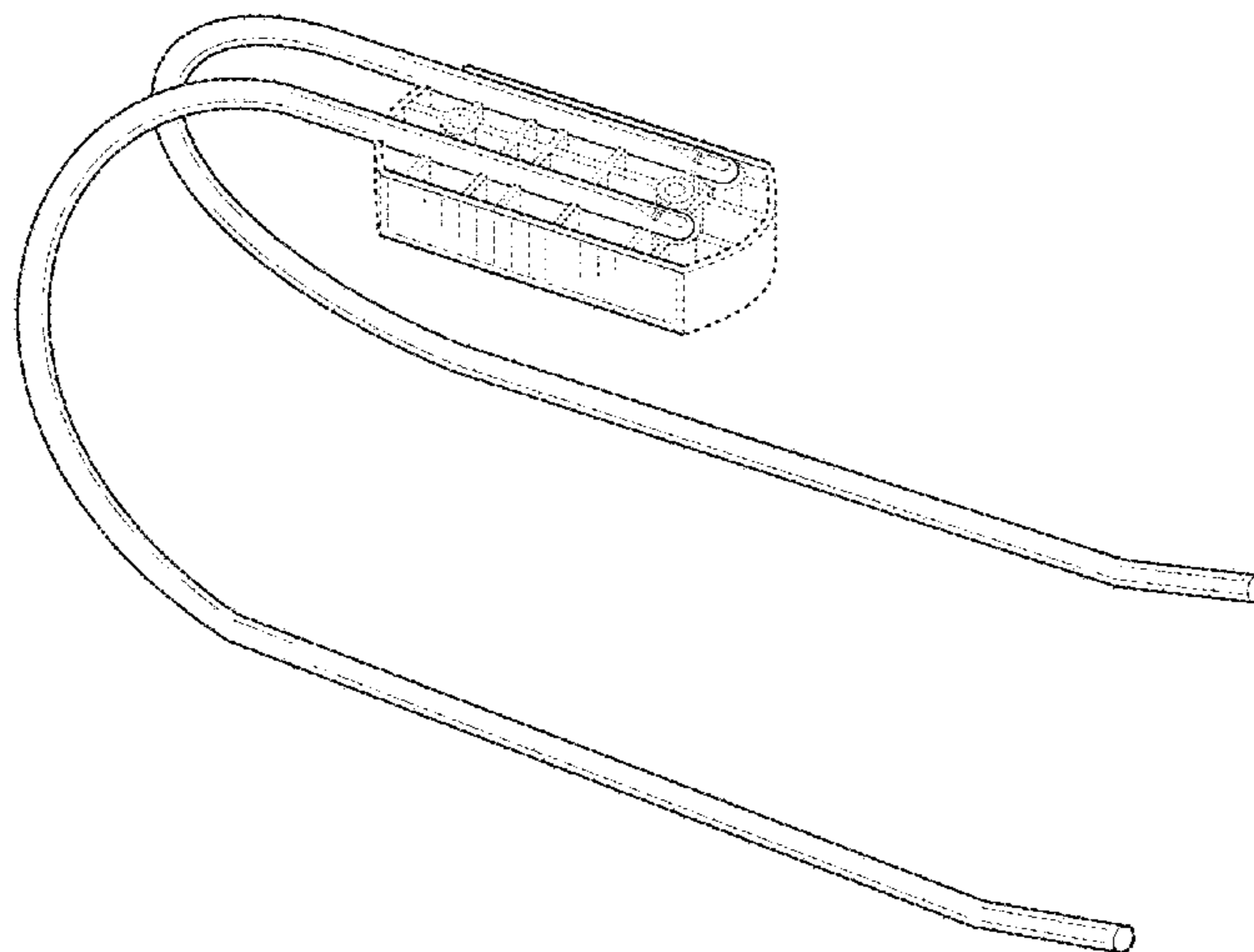
DESCRIPTION

FIG. 1 shows a perspective view of a lid holding device showing my new design;
 FIG. 2 shows a right side view thereof;
 FIG. 3 shows a left side view thereof;
 FIG. 4 shows a top plan view thereof;
 FIG. 5 shows a bottom plan view thereof;
 FIG. 6 shows a rear view thereof;
 FIG. 7 shows a front view thereof;
 FIG. 8 shows a perspective view of another embodiment of a lid holding device showing my new design;
 FIG. 9 shows a right side view thereof;
 FIG. 10 shows a left side view thereof;
 FIG. 11 shows a top plan view thereof;
 FIG. 12 shows a bottom plan view thereof;
 FIG. 13 shows a rear view thereof;
 FIG. 14 shows a front view thereof;
 FIG. 15 shows a perspective view of another embodiment of a lid holding device showing my new design;
 FIG. 16 shows a right side view thereof;
 FIG. 17 shows a left side view thereof;
 FIG. 18 shows a top plan view thereof;
 FIG. 19 shows a bottom plan view thereof;
 FIG. 20 shows a rear view thereof; and,
 FIG. 21 shows a front view thereof.

The shade lines in the Figures show contour and not surface ornamentation.

The broken lines shown in the Figures show portions of the lid holding device which form no part of the claimed design.

1 Claim, 12 Drawing Sheets



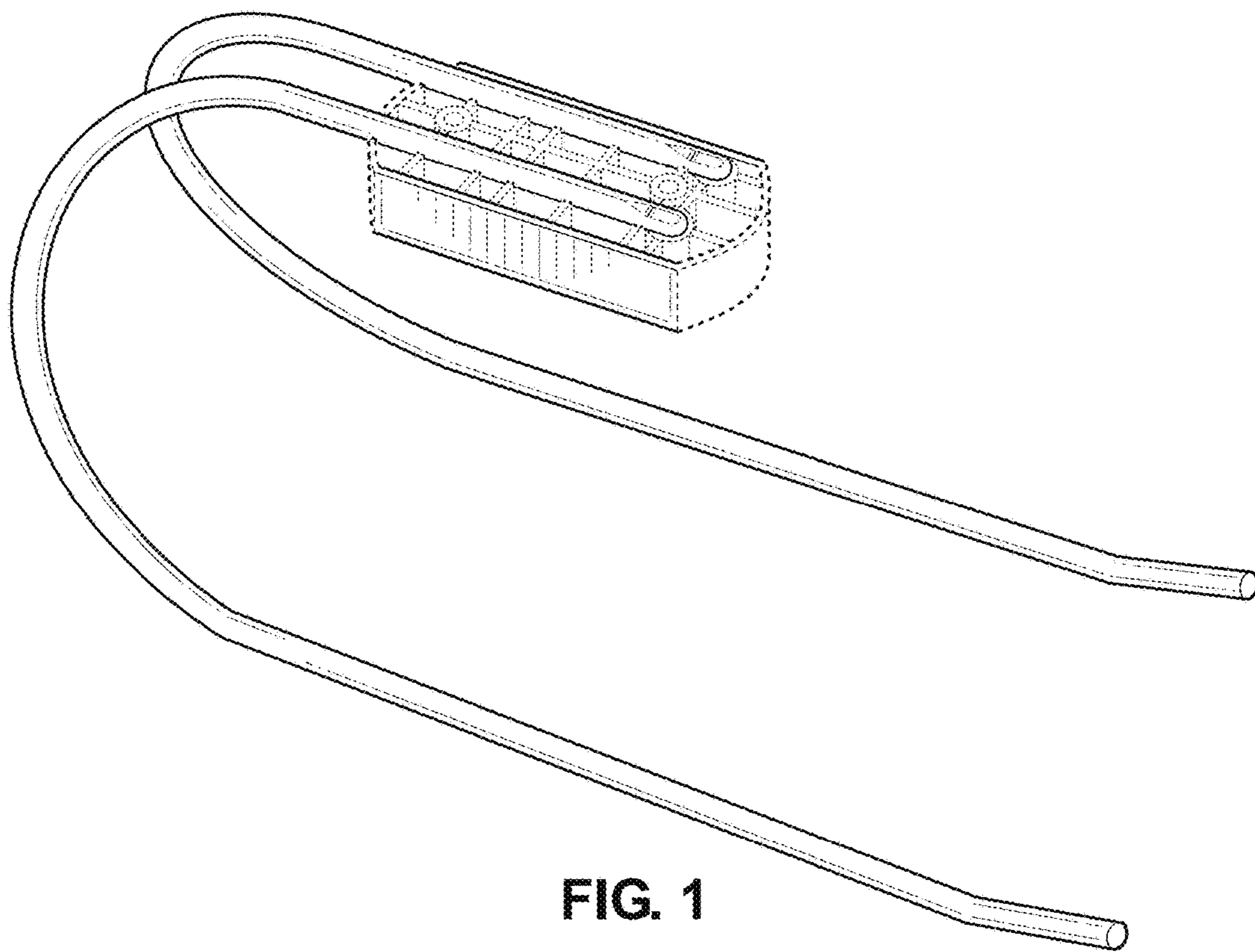
(56)

References Cited

U.S. PATENT DOCUMENTS

6,530,548	B2	3/2003	Pizzirusso	
6,997,329	B2 *	2/2006	Ohanian	A47J 47/16 211/181.1
7,182,304	B2 *	2/2007	Adams	A47G 29/083 248/205.5
7,516,929	B2 *	4/2009	Brustein	A47G 29/083 248/304
8,517,323	B1	8/2013	Gregory	
2003/0038220	A1	2/2003	Catan	
2004/0195484	A1 *	10/2004	Sheeran	A47G 29/083 248/304
2004/0251222	A1 *	12/2004	Ohanian	A47J 47/16 211/41.11
2006/0261021	A1 *	11/2006	Stagnaro	A47J 47/16 211/119

* cited by examiner



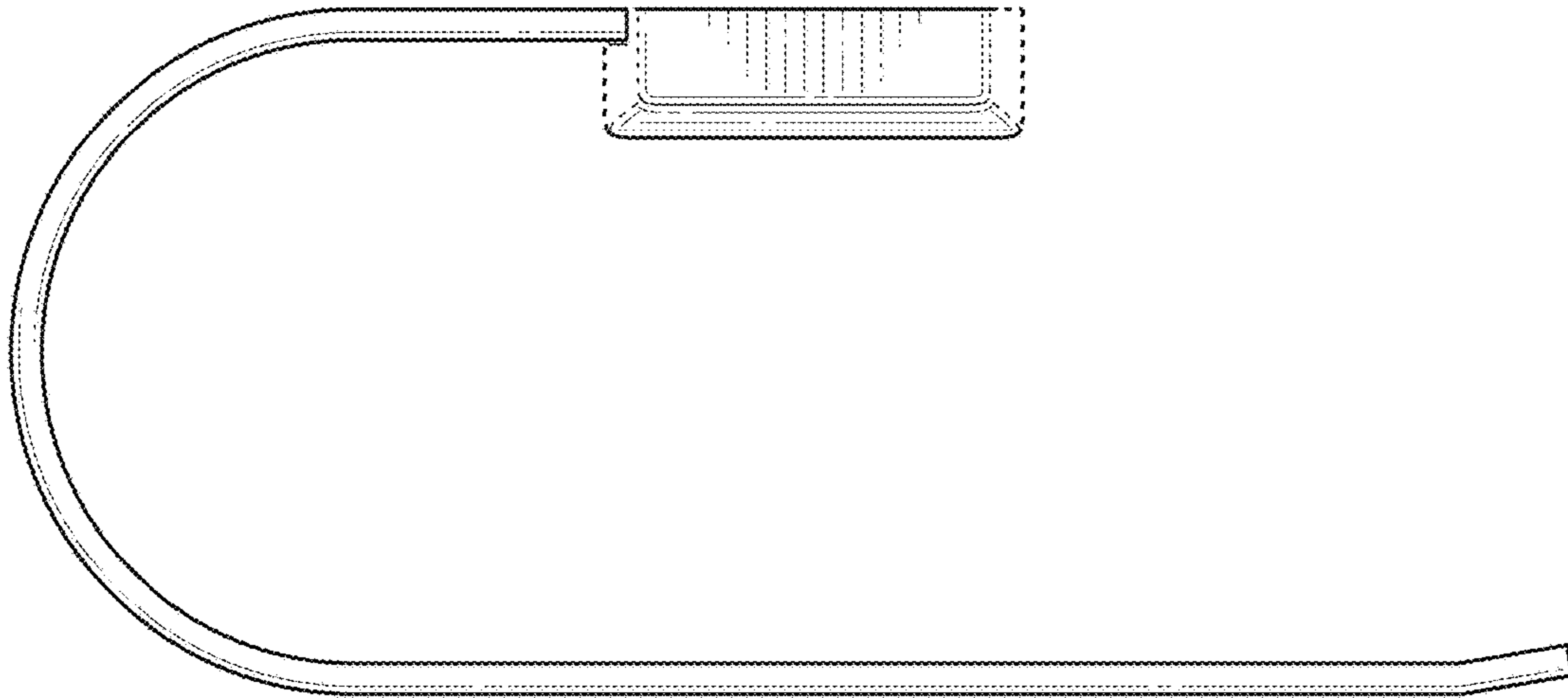


FIG. 2

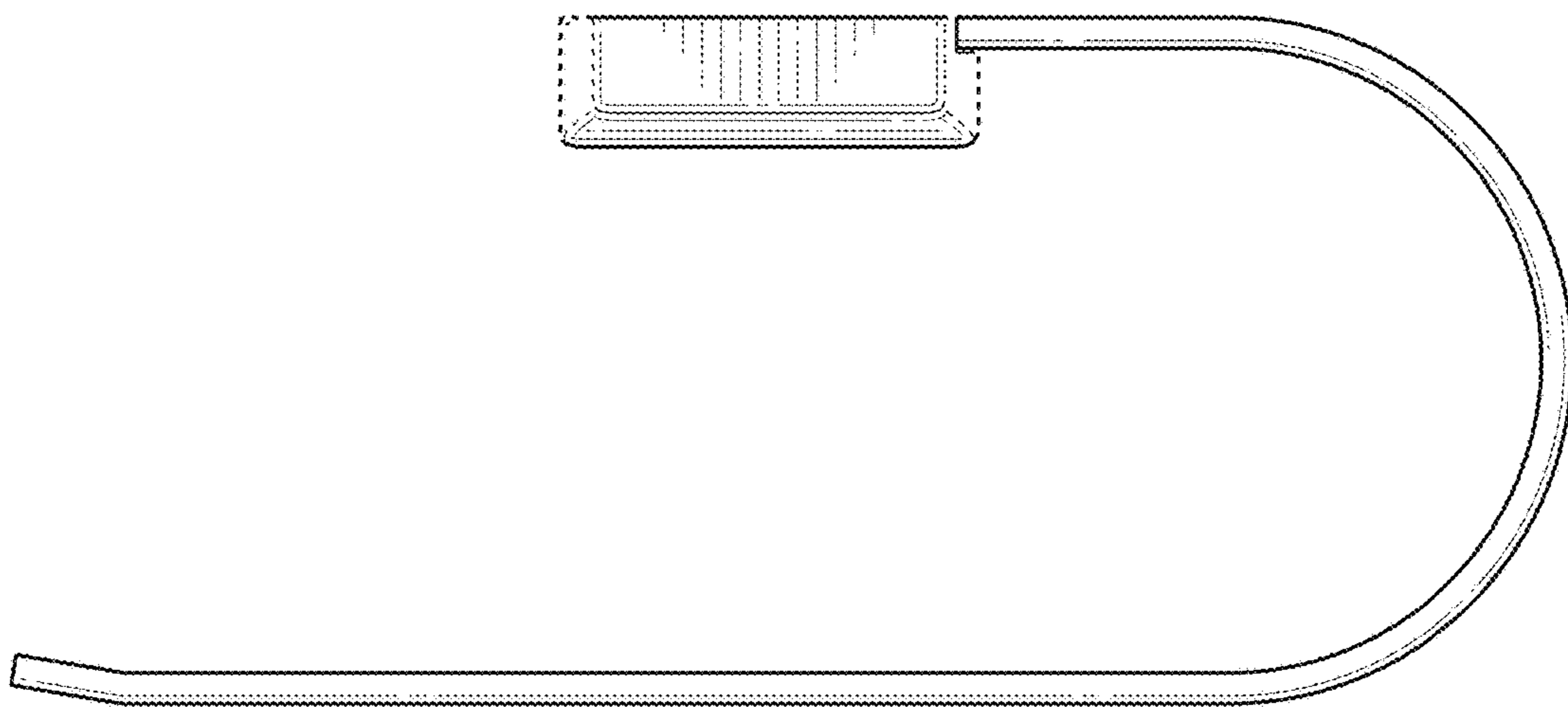


FIG. 3

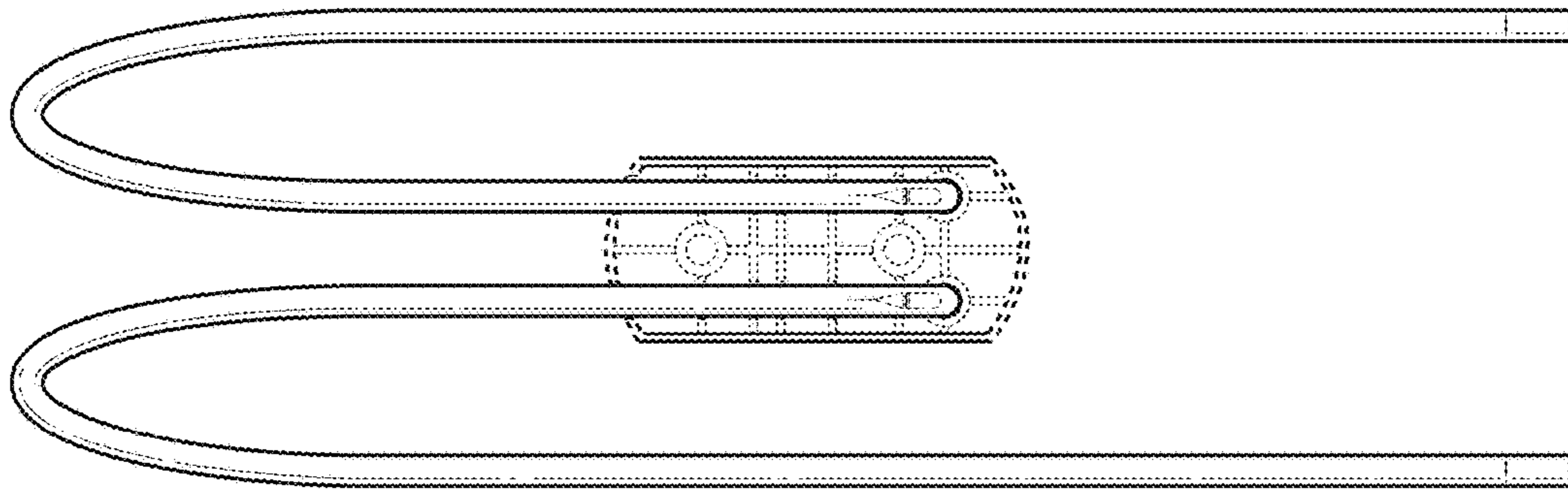


FIG. 4

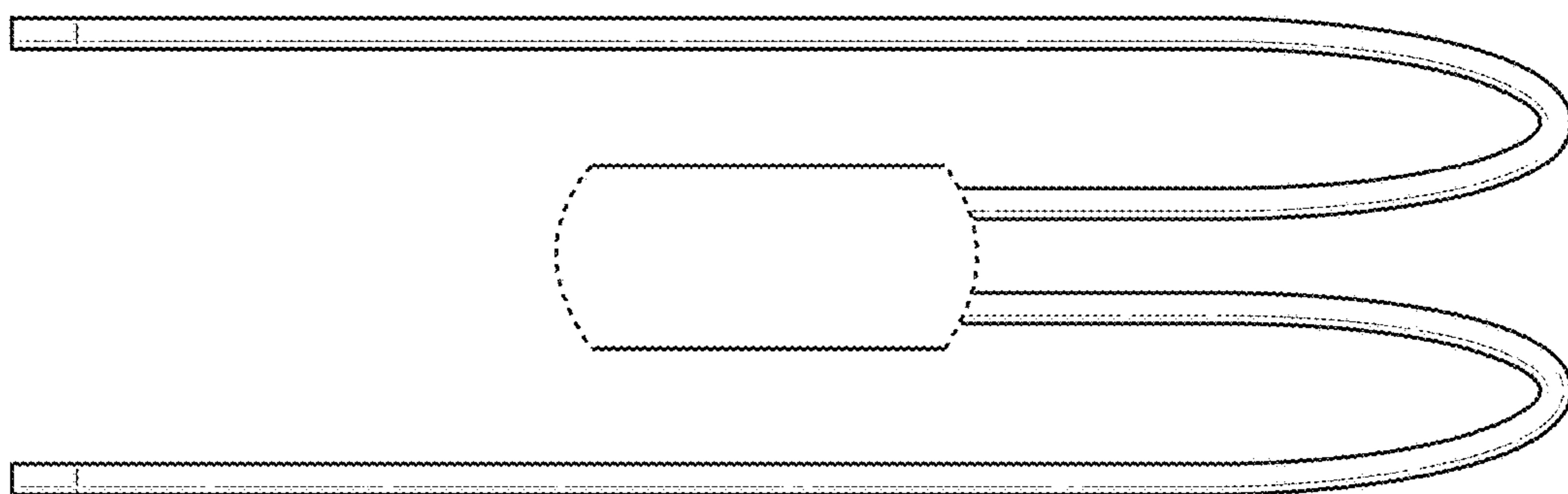


FIG. 5

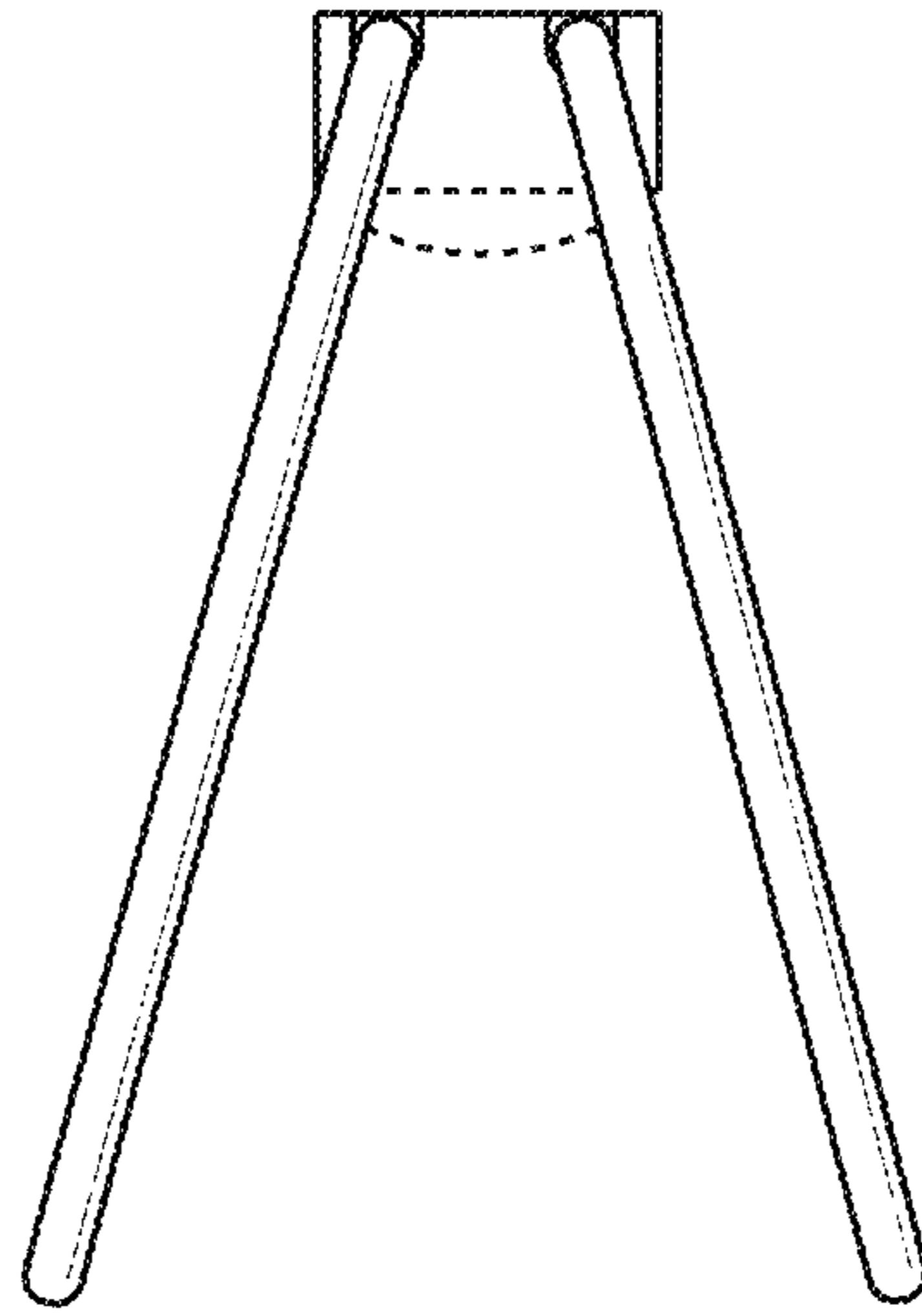


FIG. 6

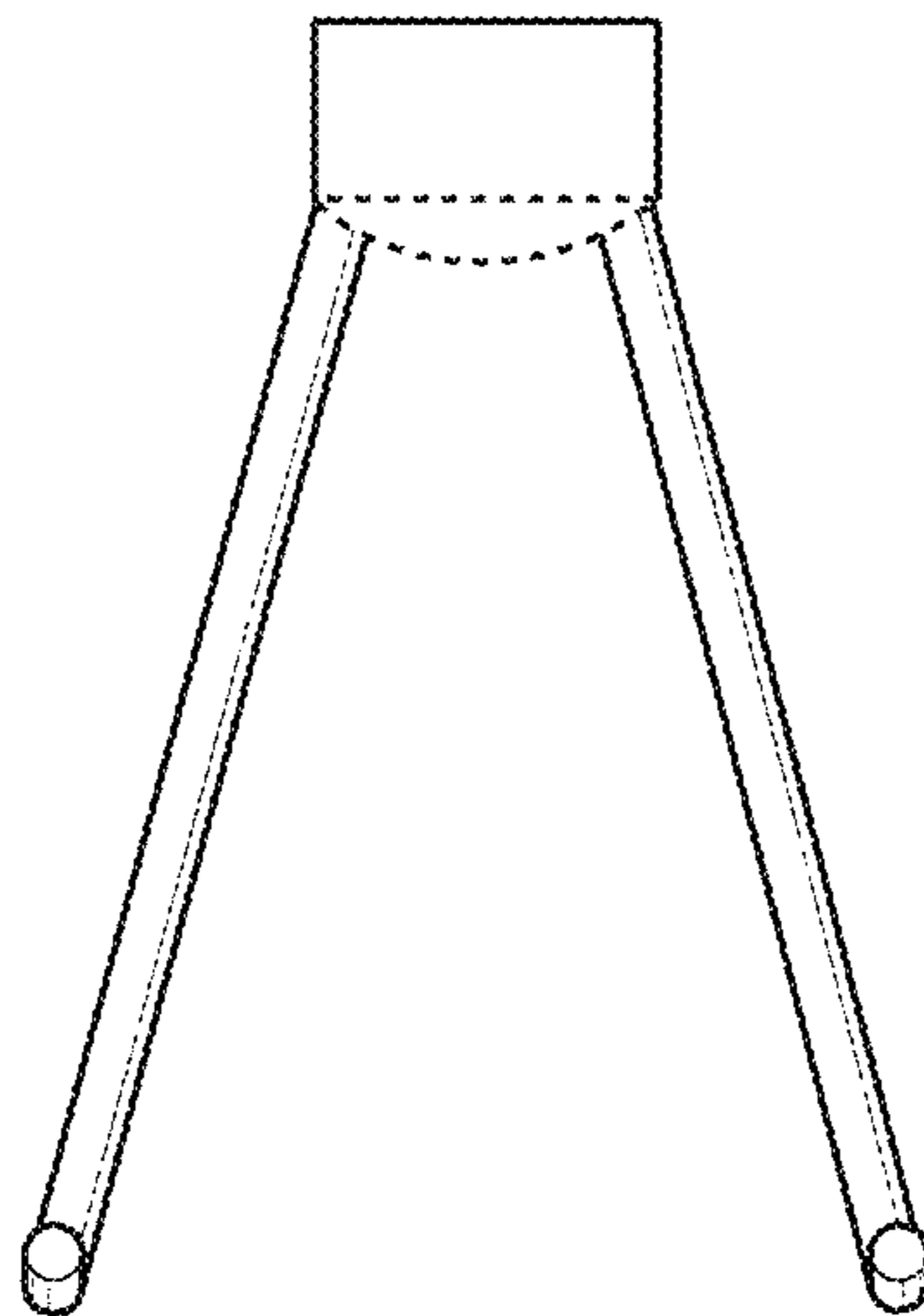
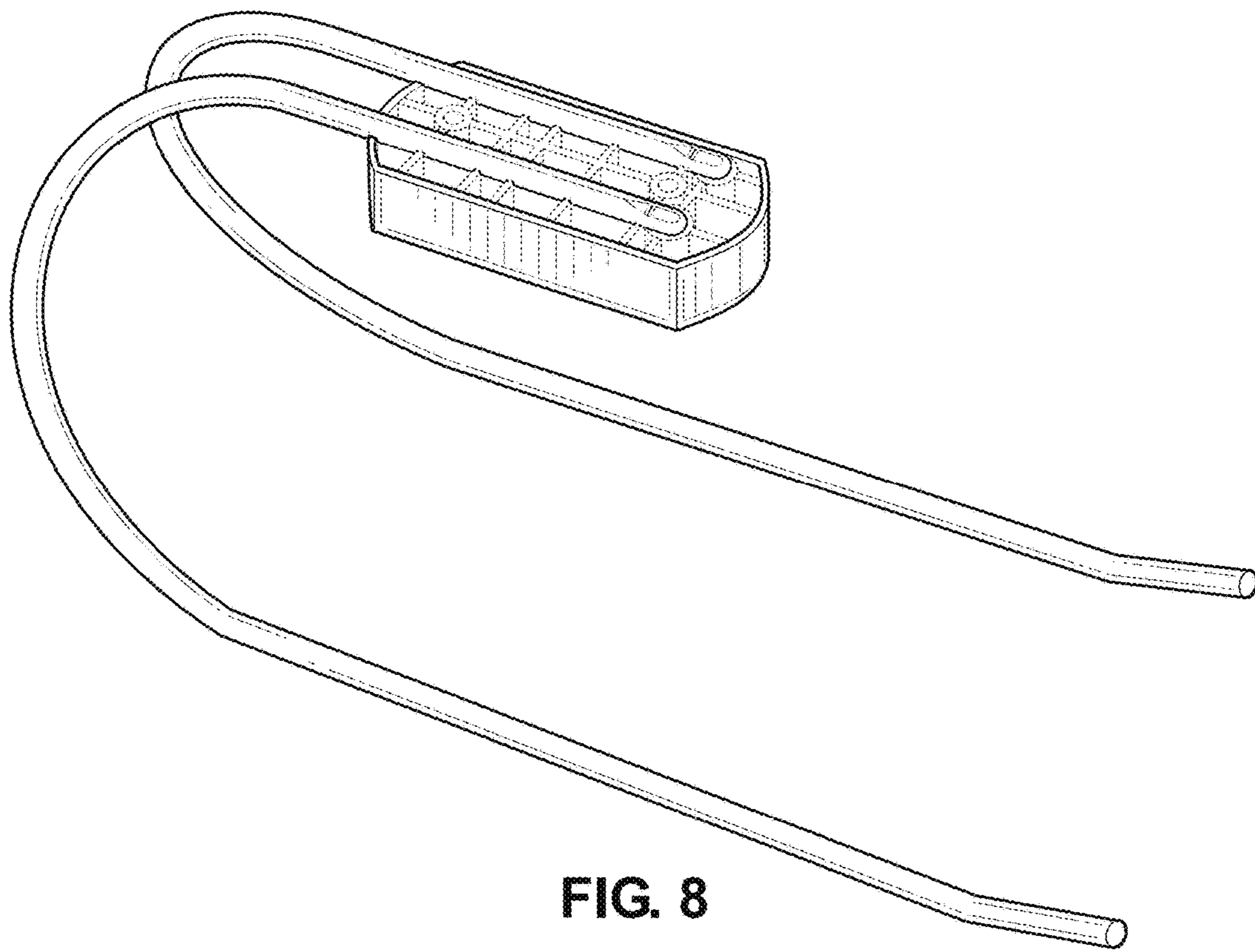


FIG. 7



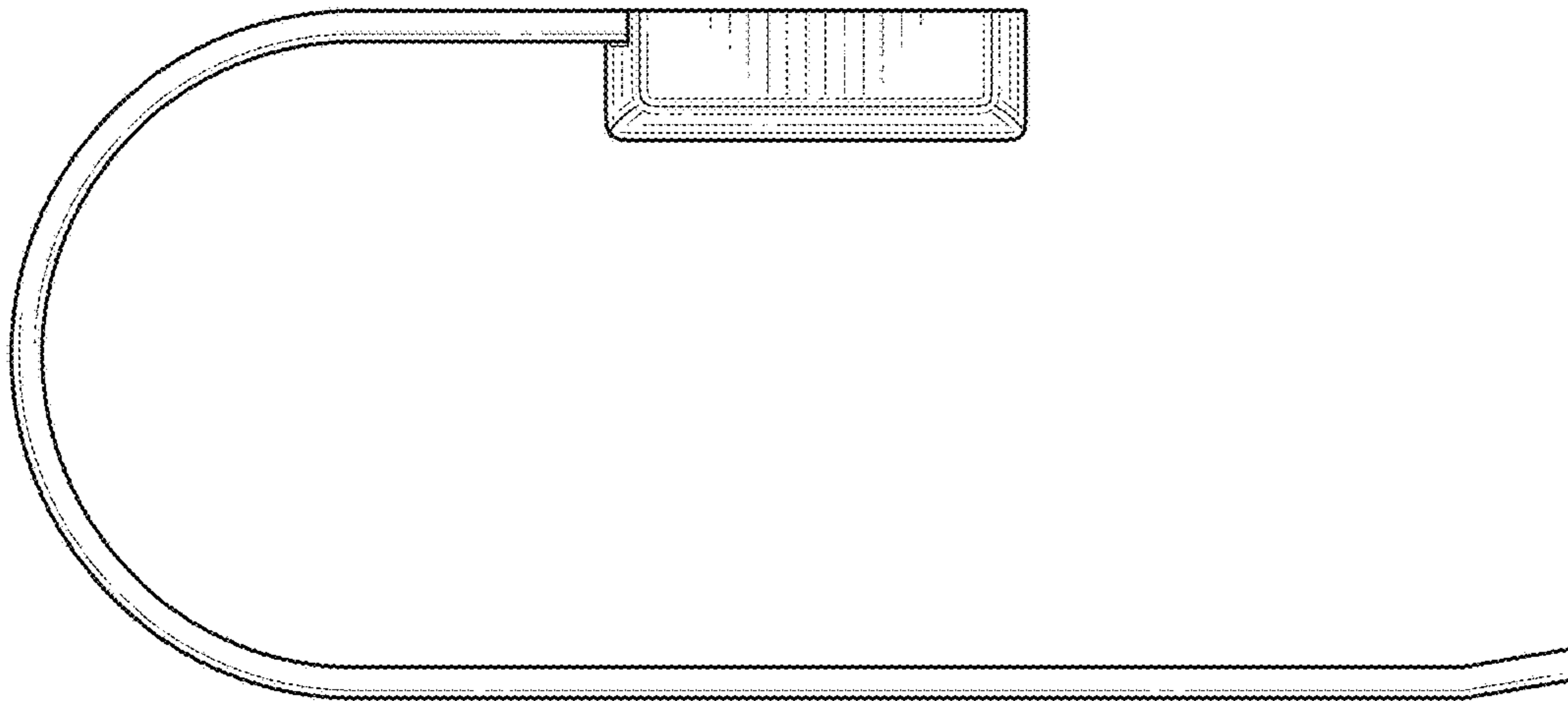


FIG. 9

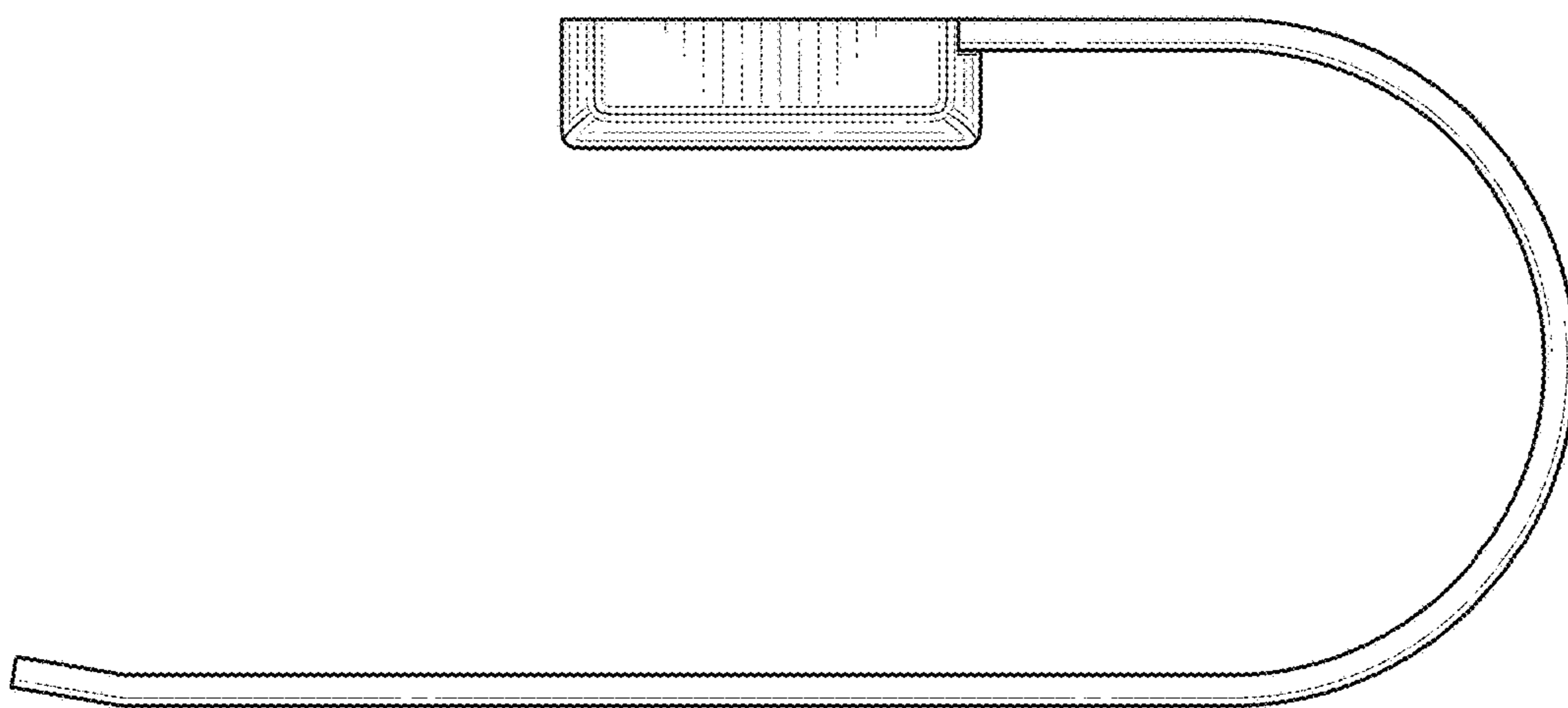


FIG. 10

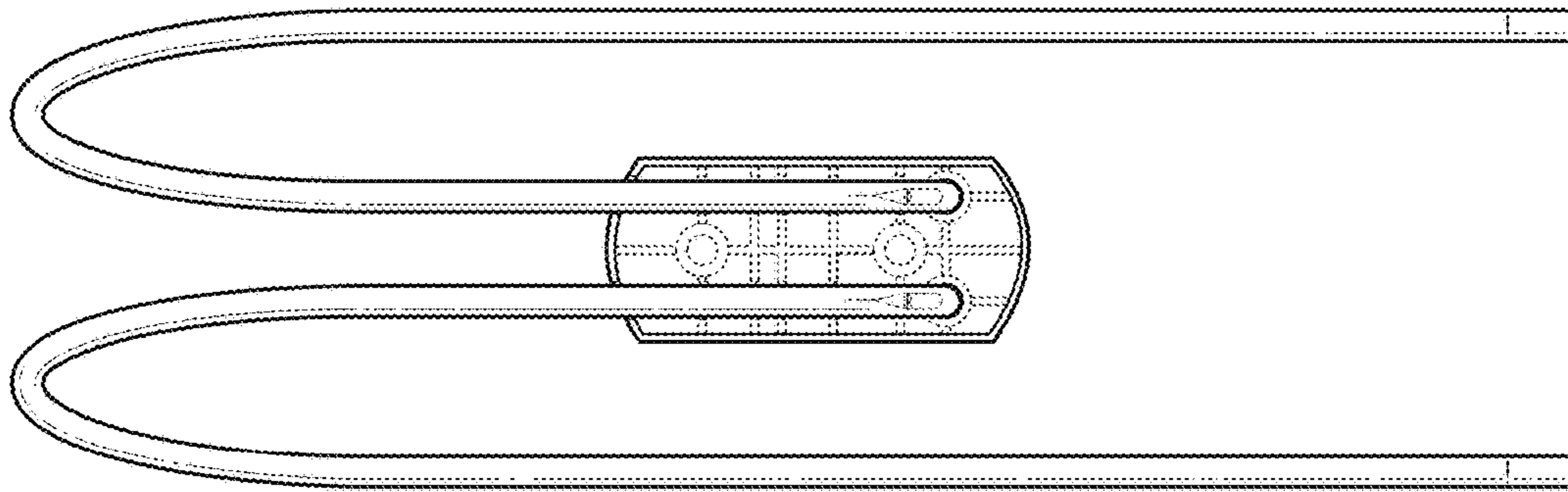


FIG. 11

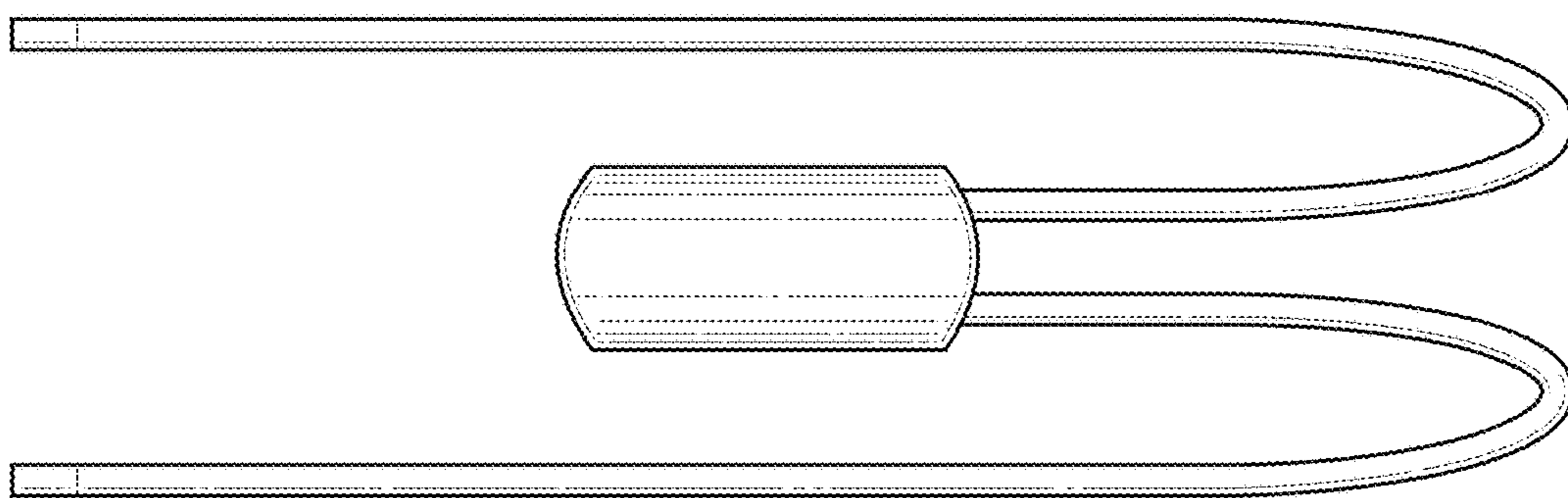


FIG. 12

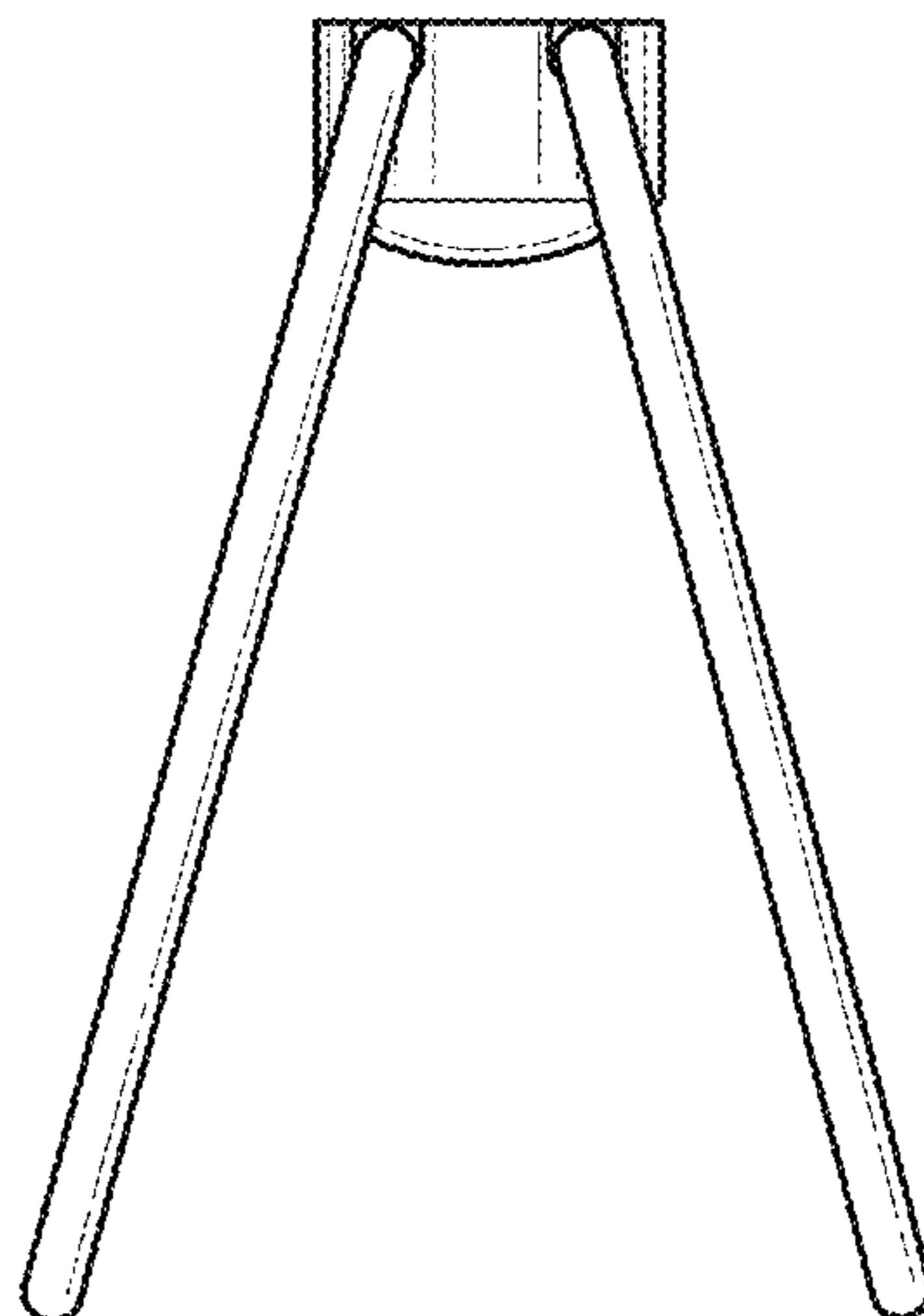


FIG. 13

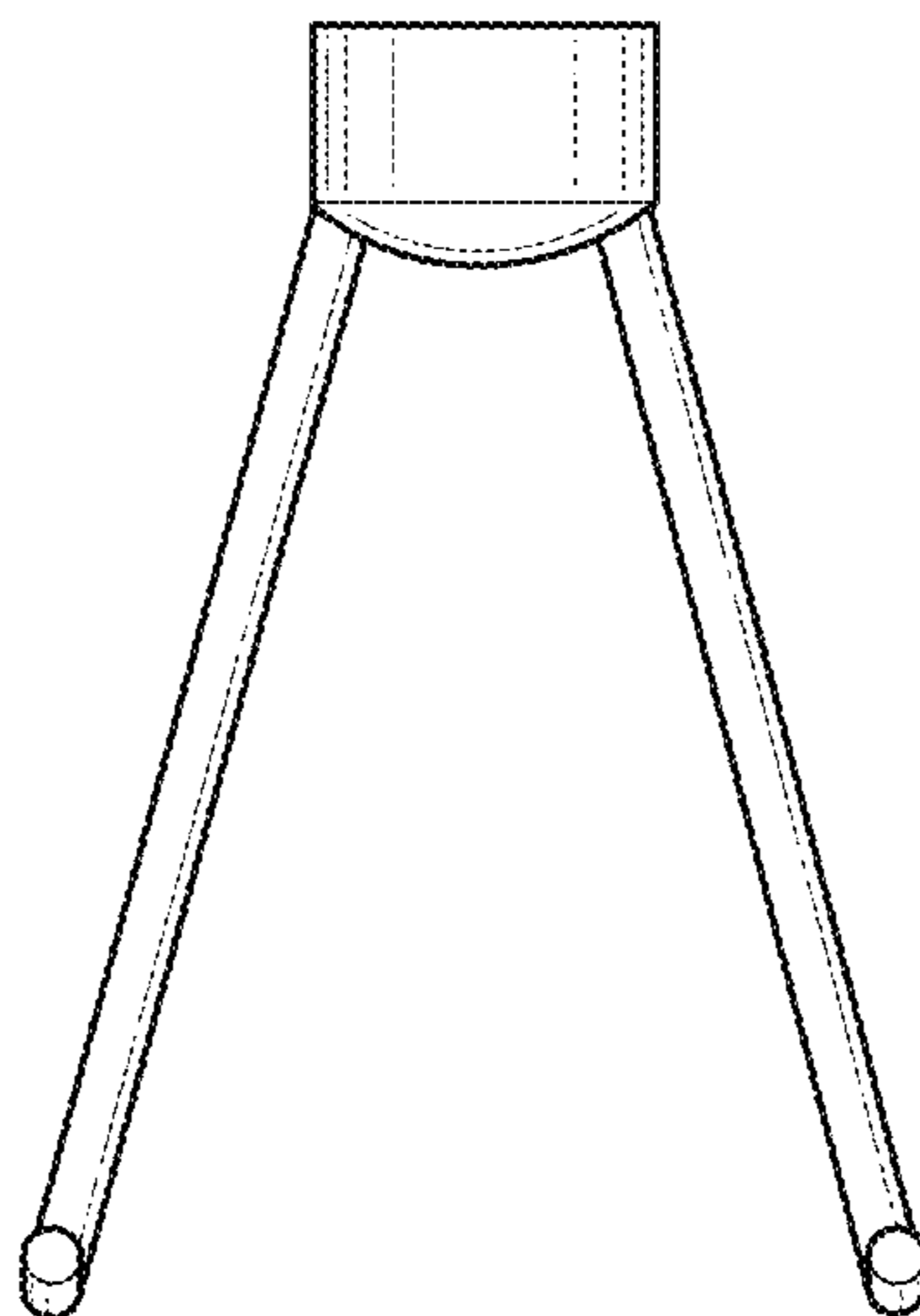


FIG. 14

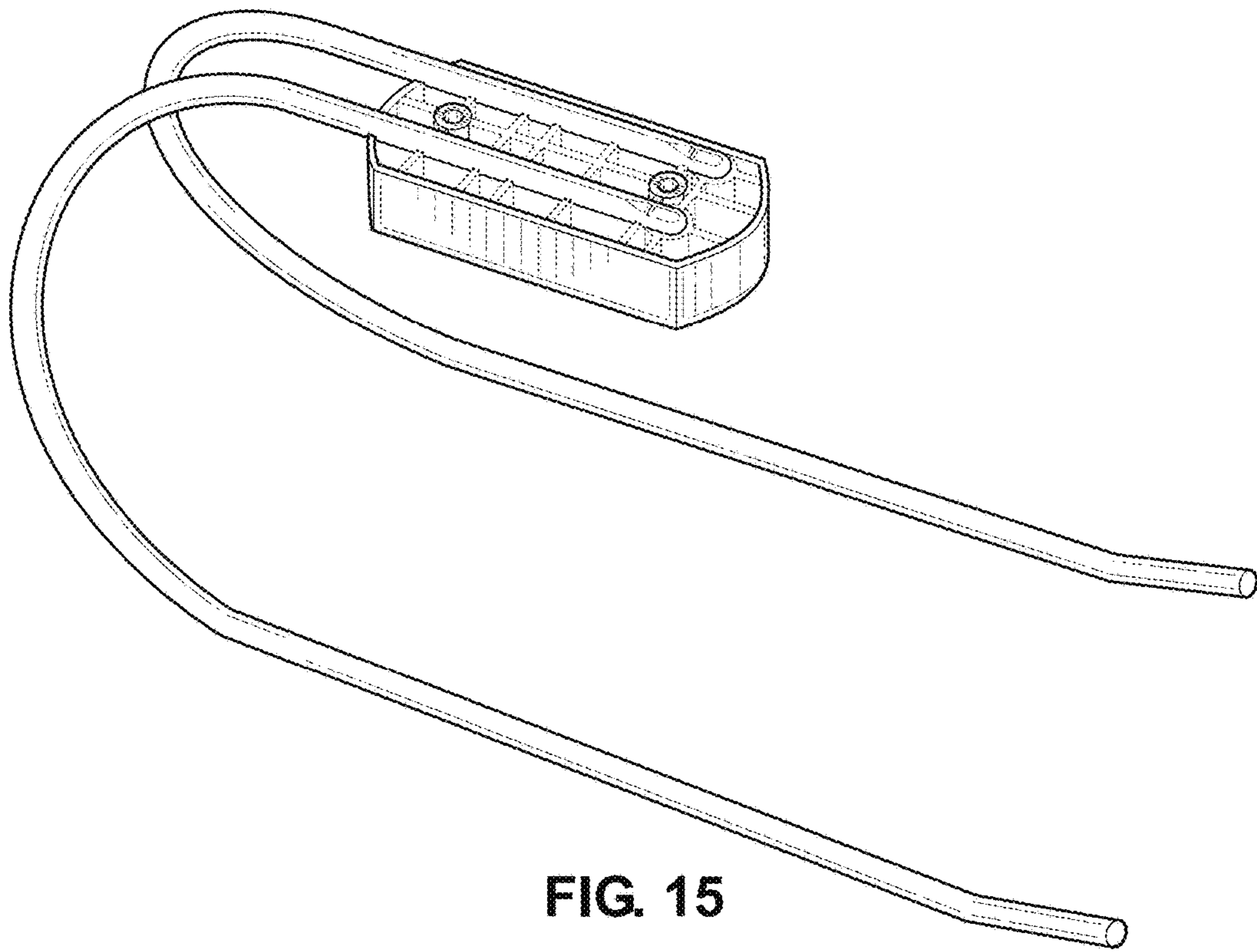


FIG. 15

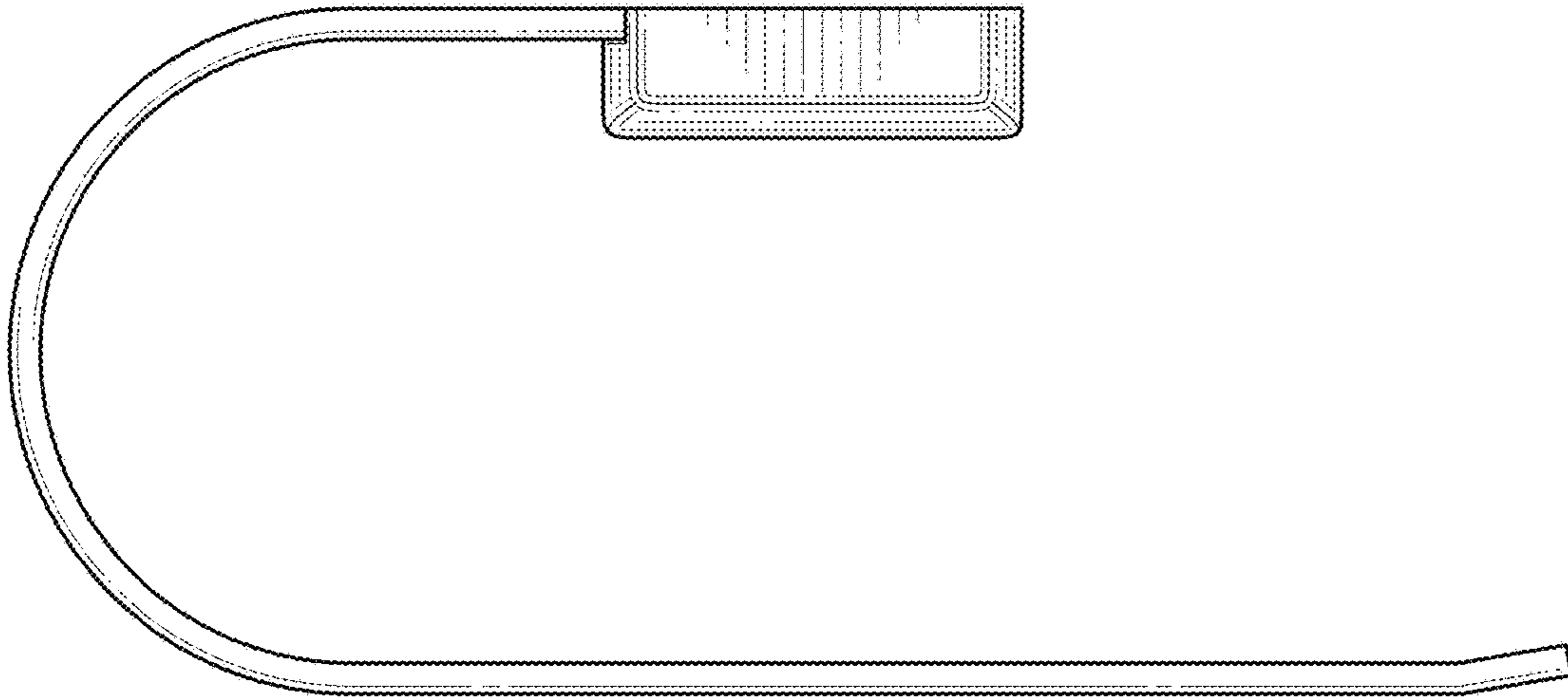


FIG. 16

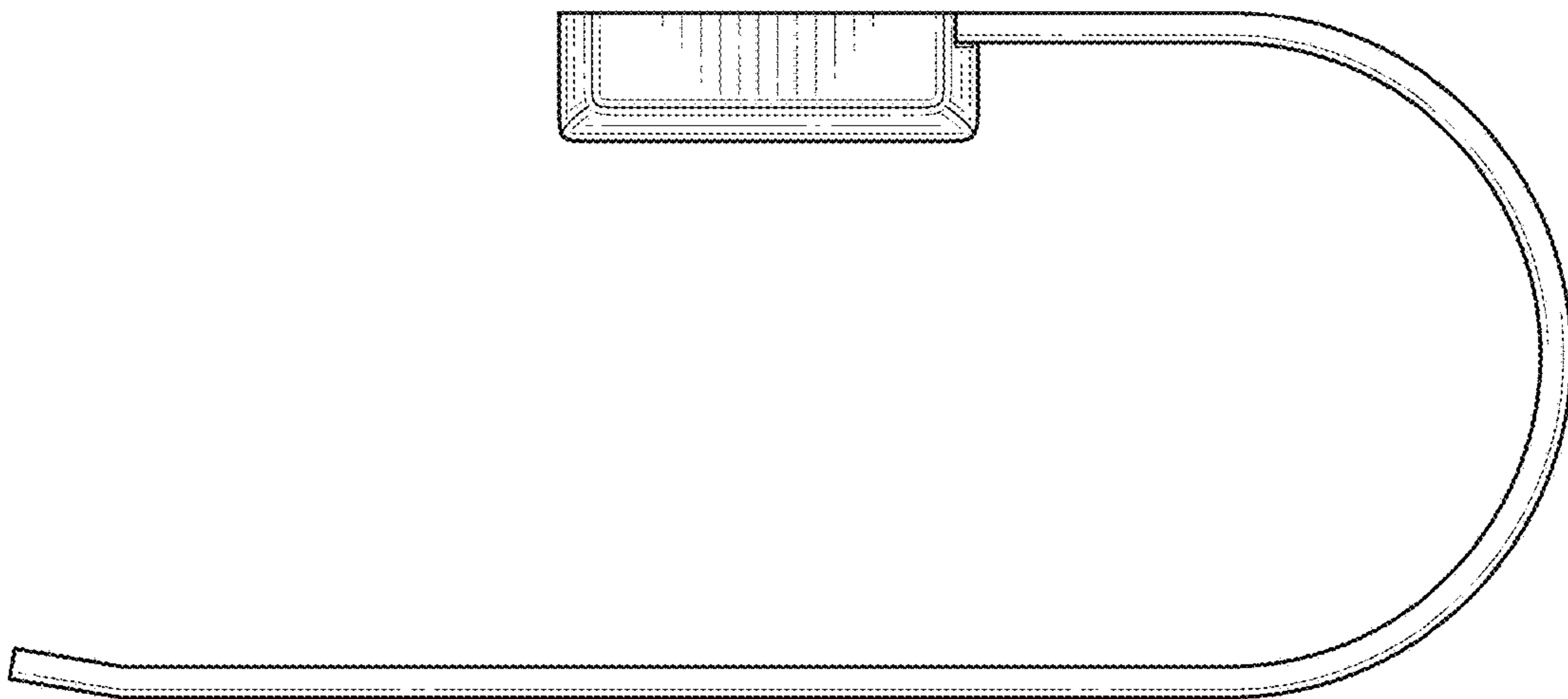


FIG. 17

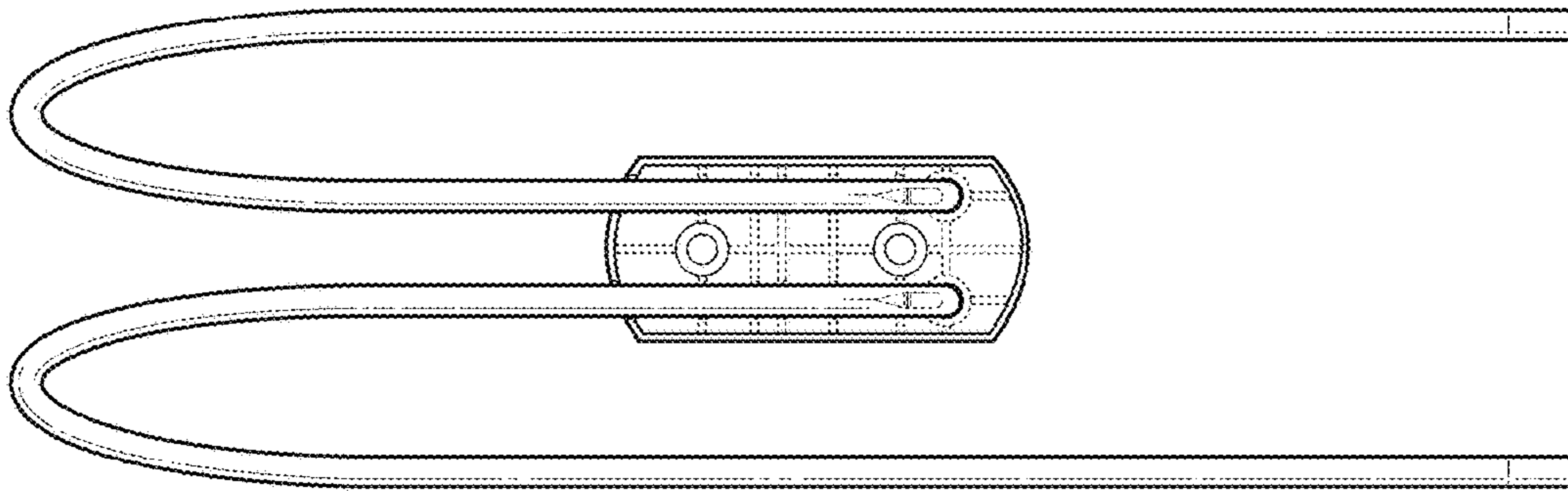


FIG. 18

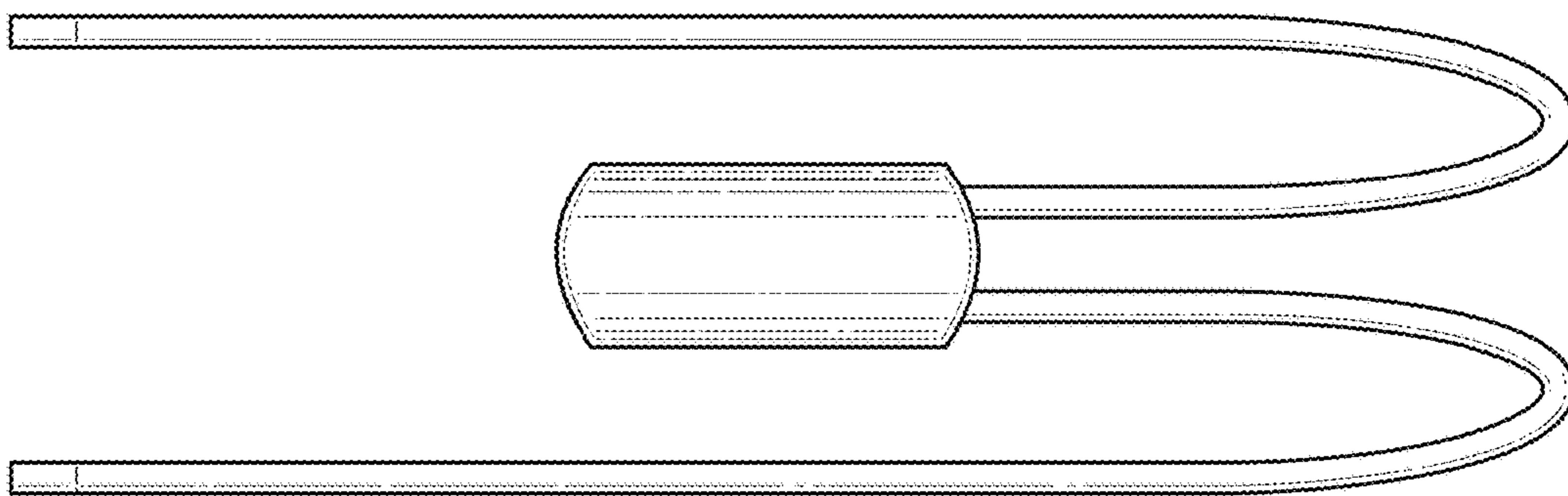


FIG. 19

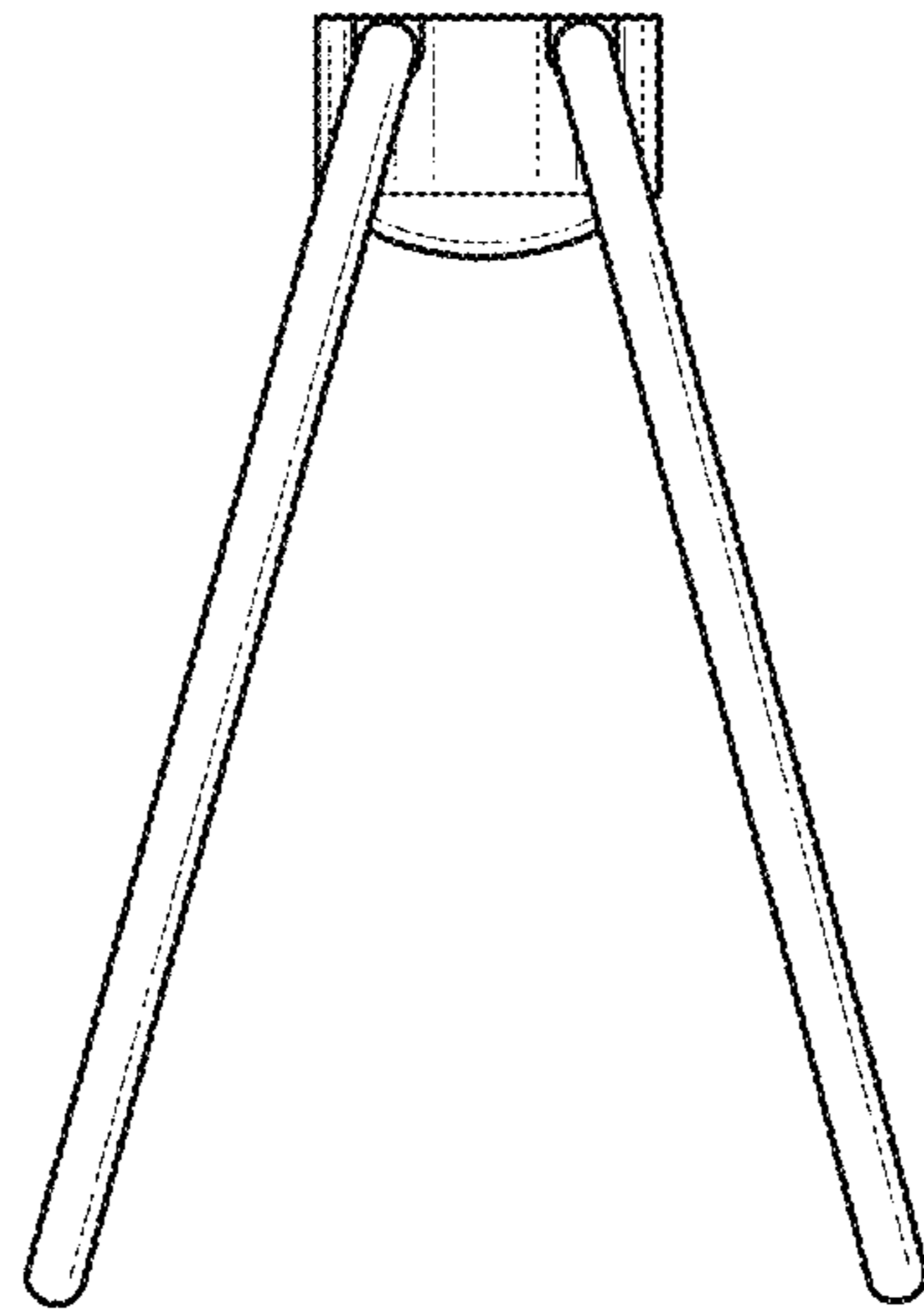


FIG. 20

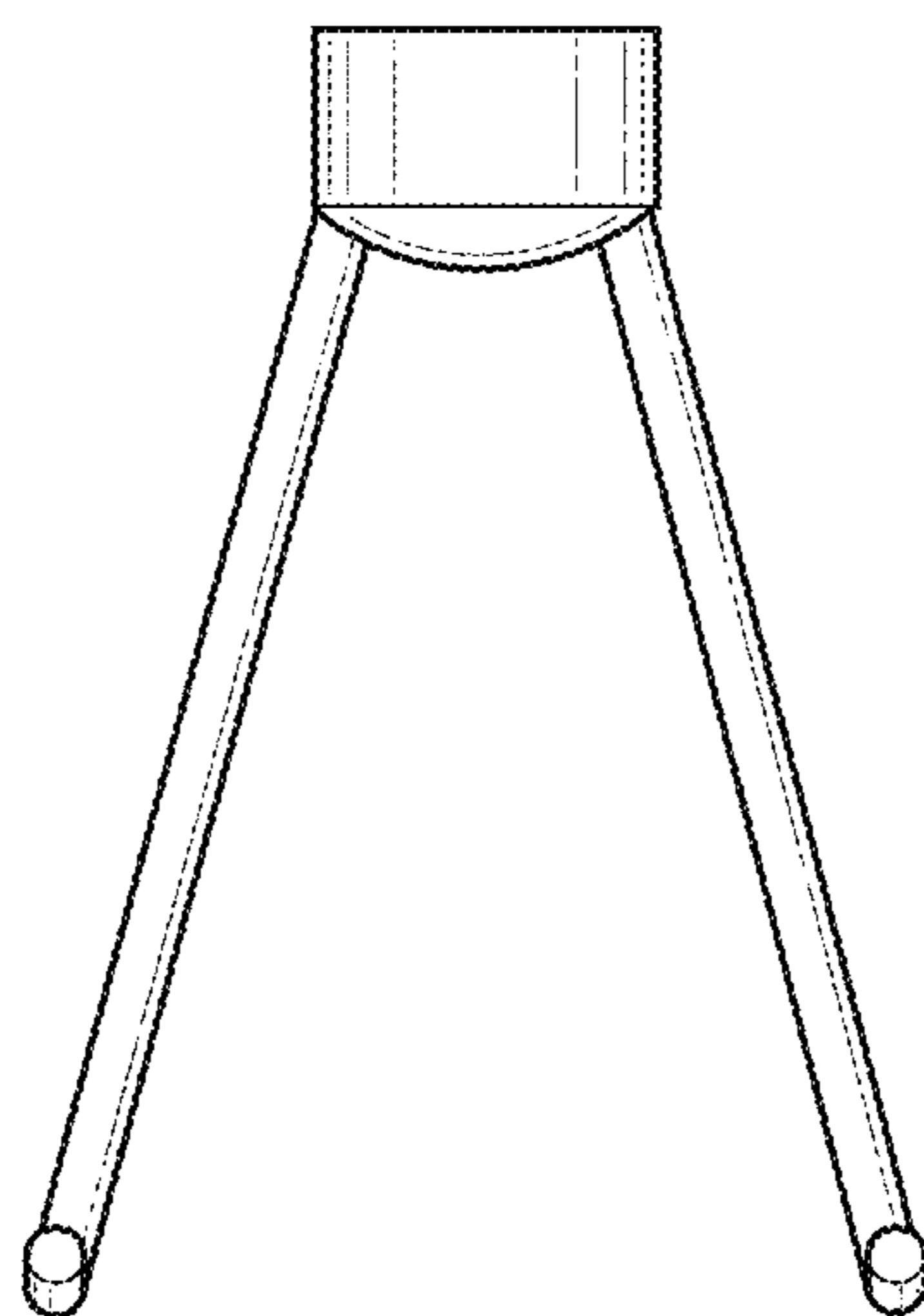


FIG. 21