



US00D802371S

(12) **United States Design Patent**  
**Ceri**

(10) **Patent No.:** **US D802,371 S**

(45) **Date of Patent:** **\*\* Nov. 14, 2017**

(54) **DISPLAY STAND**

(71) Applicant: **VENCHI S.p.A.**, Castelletto Stura  
(Cuneo) (IT)

(72) Inventor: **Luca Ceri**, Prato (IT)

(73) Assignee: **VENCHI S.p.A.** (IT)

(\*\*) Term: **15 Years**

(21) Appl. No.: **29/562,890**

(22) Filed: **Apr. 29, 2016**

(30) **Foreign Application Priority Data**

Nov. 3, 2015 (EM) ..... 002846170

(51) **LOC (10) Cl.** ..... **07-07**

(52) **U.S. Cl.**  
USPC ..... **D7/601; D6/677.5; D6/677; D1/105**

(58) **Field of Classification Search**  
USPC ..... D6/675-675.3, 677-677.5, 713.18;  
D21/606, 693; D28/10, 38; D7/601,  
D7/704; D1/105

CPC ..... A47C 27/064; A47C 23/0438  
See application file for complete search history.

(56) **References Cited**

**U.S. PATENT DOCUMENTS**

D167,555 S	*	8/1952	Bisharat	.....	D6/405
D193,957 S	*	10/1962	Young	.....	220/743
D347,493 S	*	5/1994	Connolly	.....	D11/117
D361,449 S	*	8/1995	Rittenberg	.....	D6/566
D426,047 S	*	6/2000	Kurtz	.....	D1/105

D433,186 S	*	10/2000	LeCrone	.....	D28/10
D467,127 S	*	12/2002	Wright	.....	D1/105
D481,891 S	*	11/2003	Gibbens	.....	D6/718.31
D603,095 S	*	10/2009	Petruccelli	.....	D28/38
D669,635 S	*	10/2012	Goodman	.....	D28/38
D735,939 S	*	8/2015	Petruccelli	.....	D28/10
D736,463 S	*	8/2015	Bentley	.....	D28/10
9,161,634 B2	*	10/2015	DeFranks	.....	A47C 23/0438
D748,335 S	*	1/2016	Goodman	.....	D28/38
D786,507 S	*	5/2017	Goodman	.....	D28/38

\* cited by examiner

*Primary Examiner* — John Windmuller

*Assistant Examiner* — Melvin L Davis

(74) *Attorney, Agent, or Firm* — Saidman DesignLaw  
Group, LLC

(57) **CLAIM**

The ornamental design for a display stand, as shown and described.

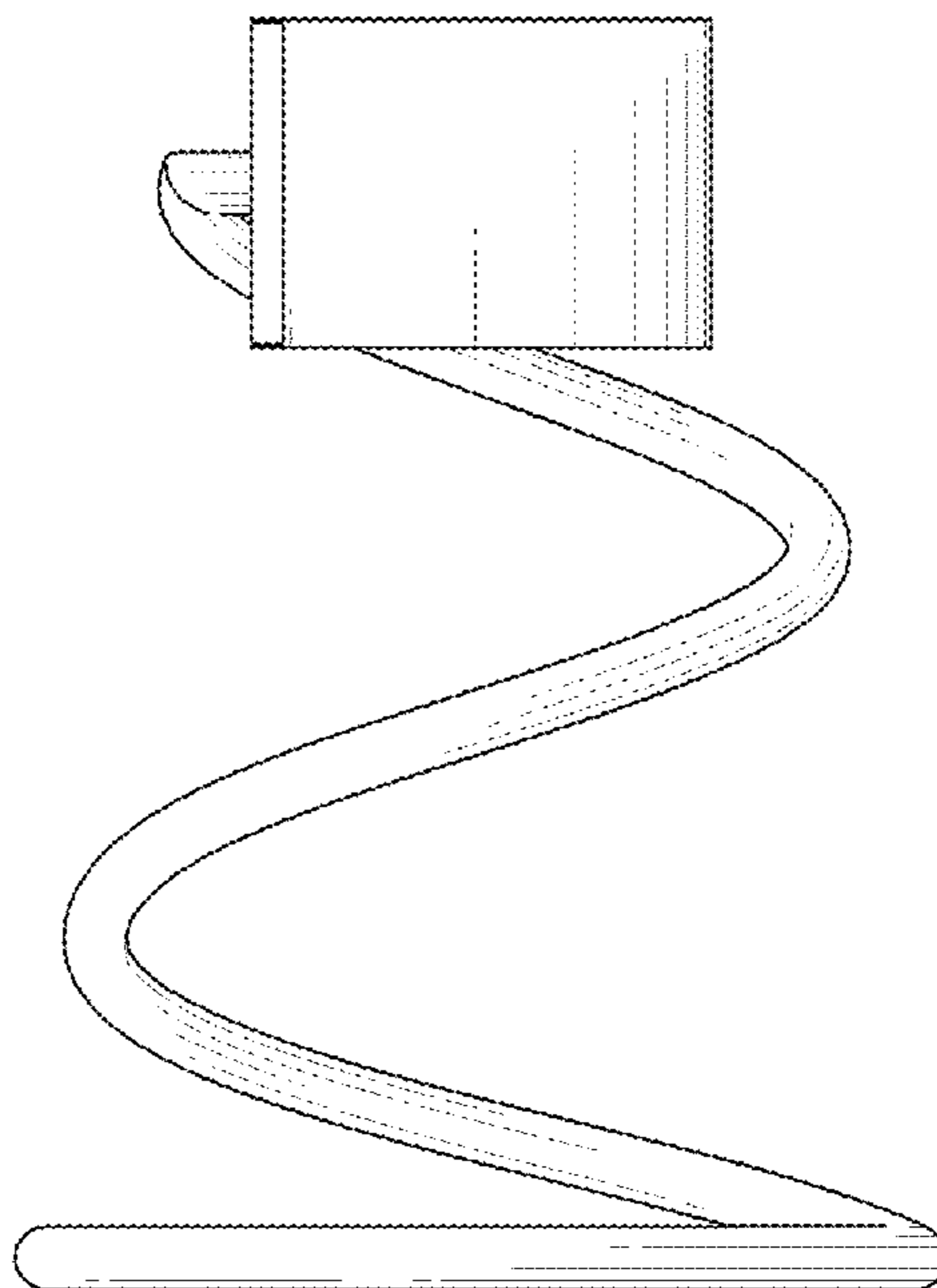
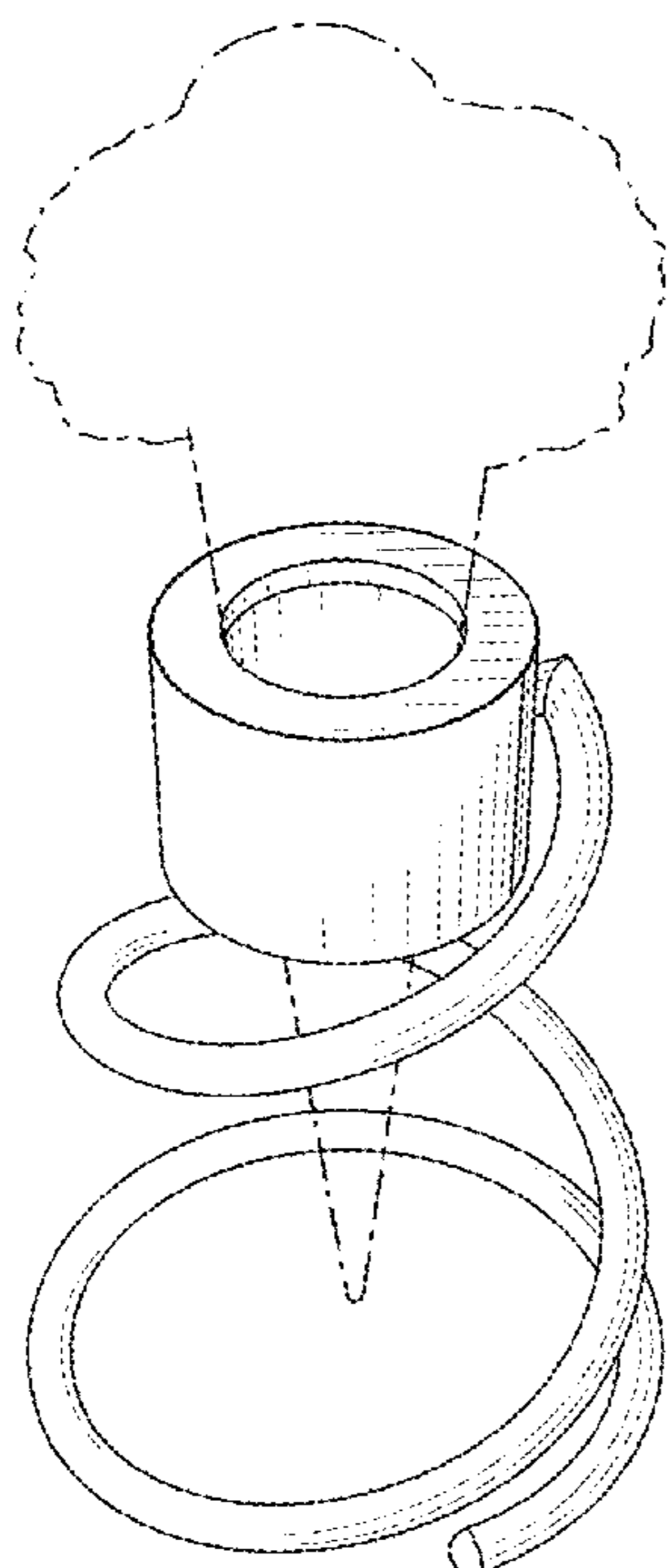
**DESCRIPTION**

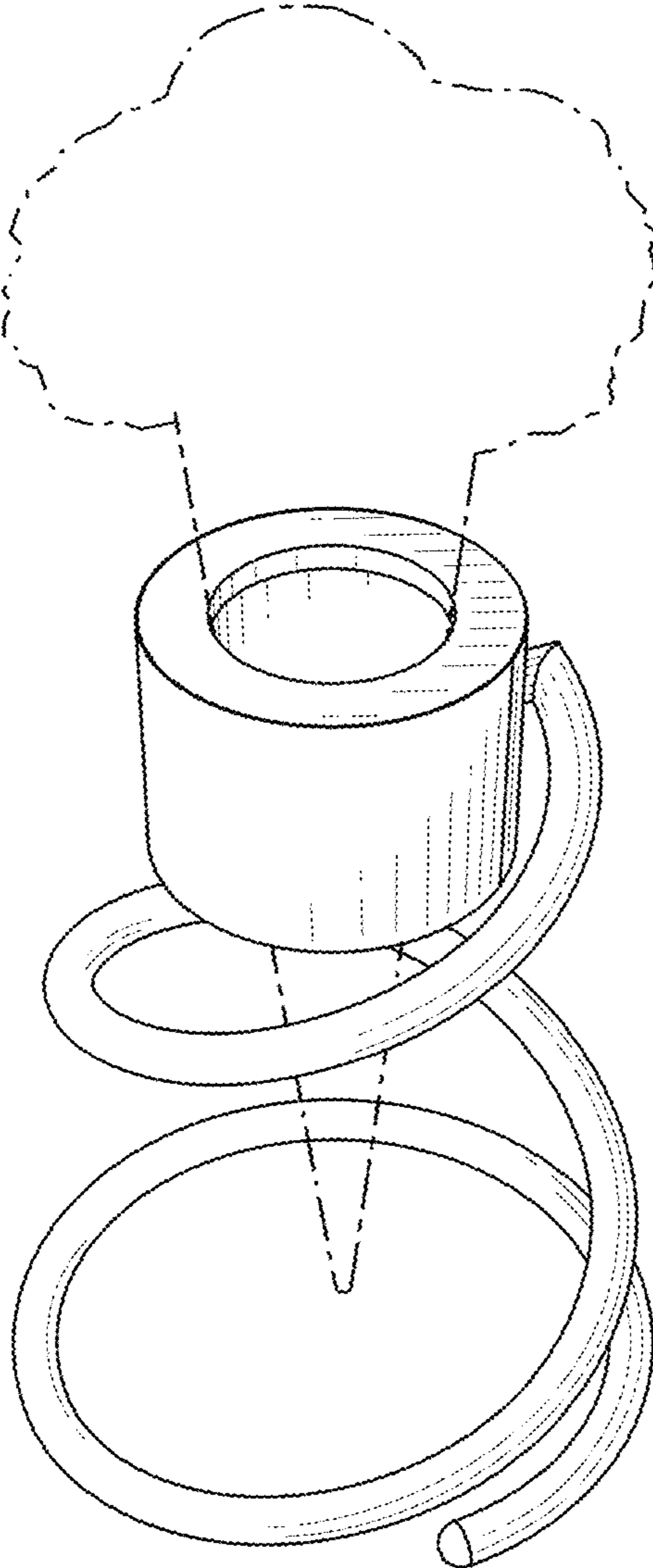
FIG. 1 is a perspective view of a display stand in use showing my new design;  
FIG. 2 is a front view thereof;  
FIG. 3 is a rear view thereof;  
FIG. 4 is a left side view thereof;  
FIG. 5 is a right side view thereof;  
FIG. 6 is a top view thereof; and,  
FIG. 7 is a bottom view thereof.

The drawings include surface shading which represents contour and not surface ornamentation.

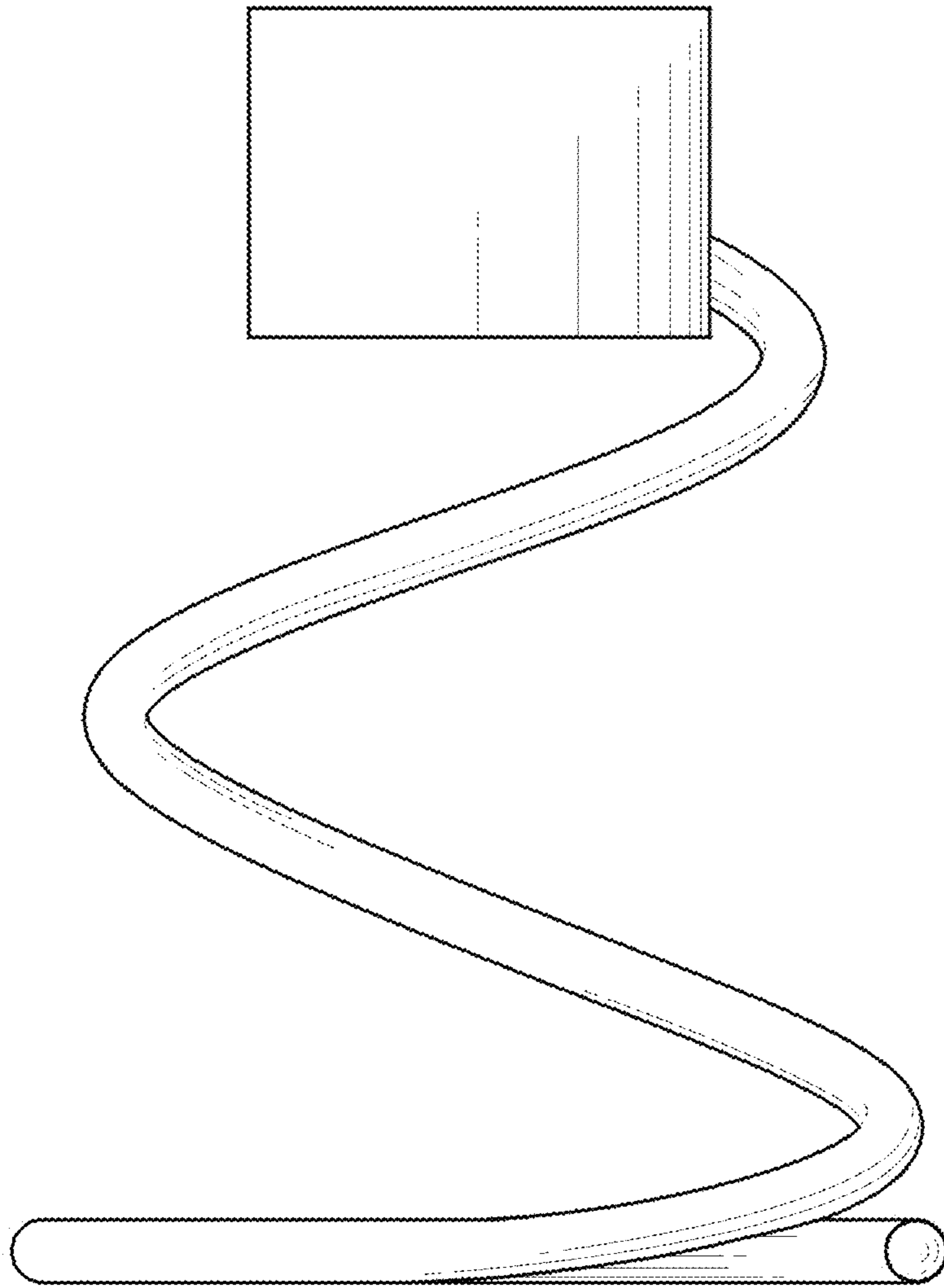
The dot-dash broken lines in FIG. 1 illustrate environment and form no part of the claimed design.

**1 Claim, 7 Drawing Sheets**

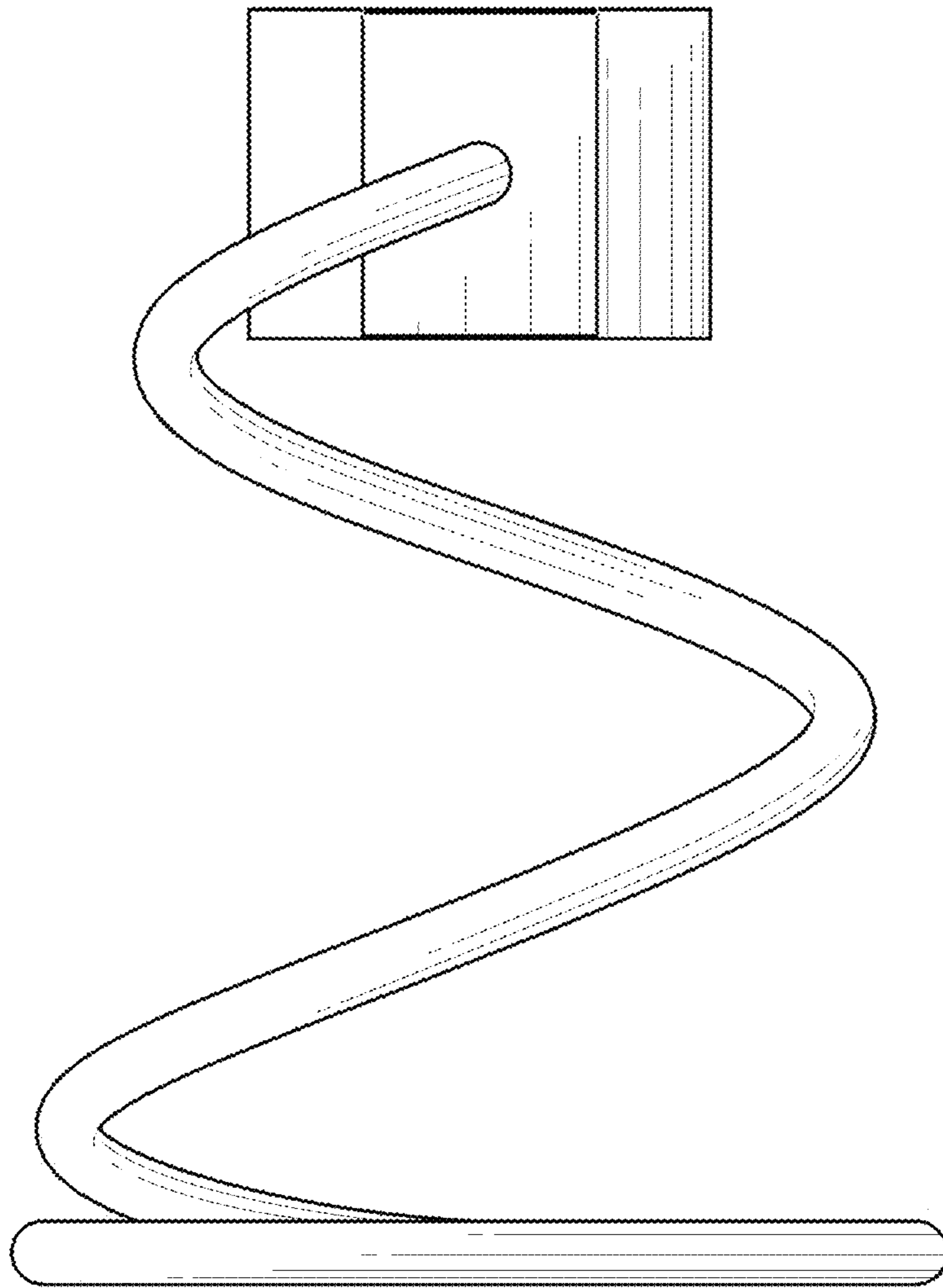




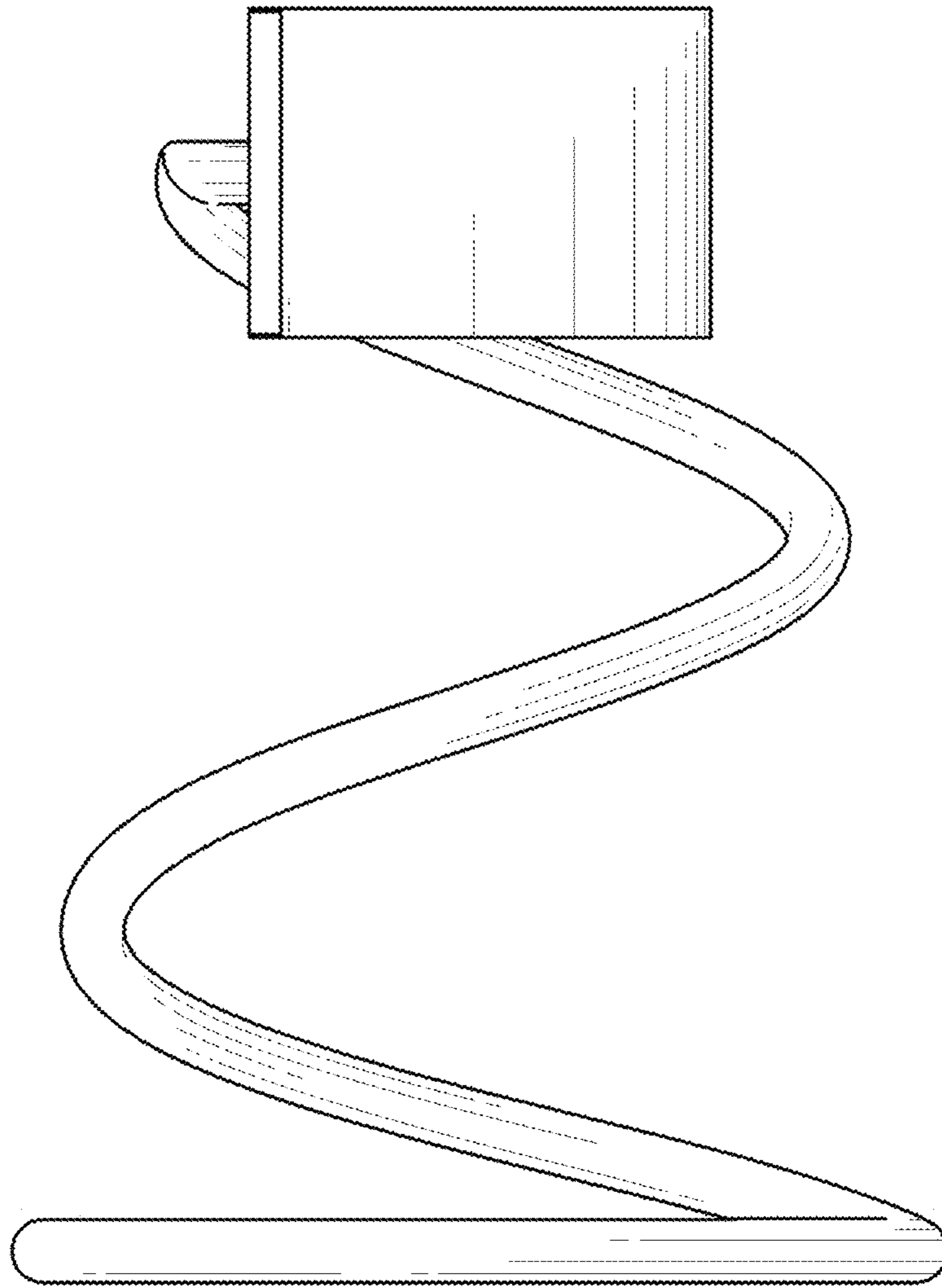
**FIG. 1**



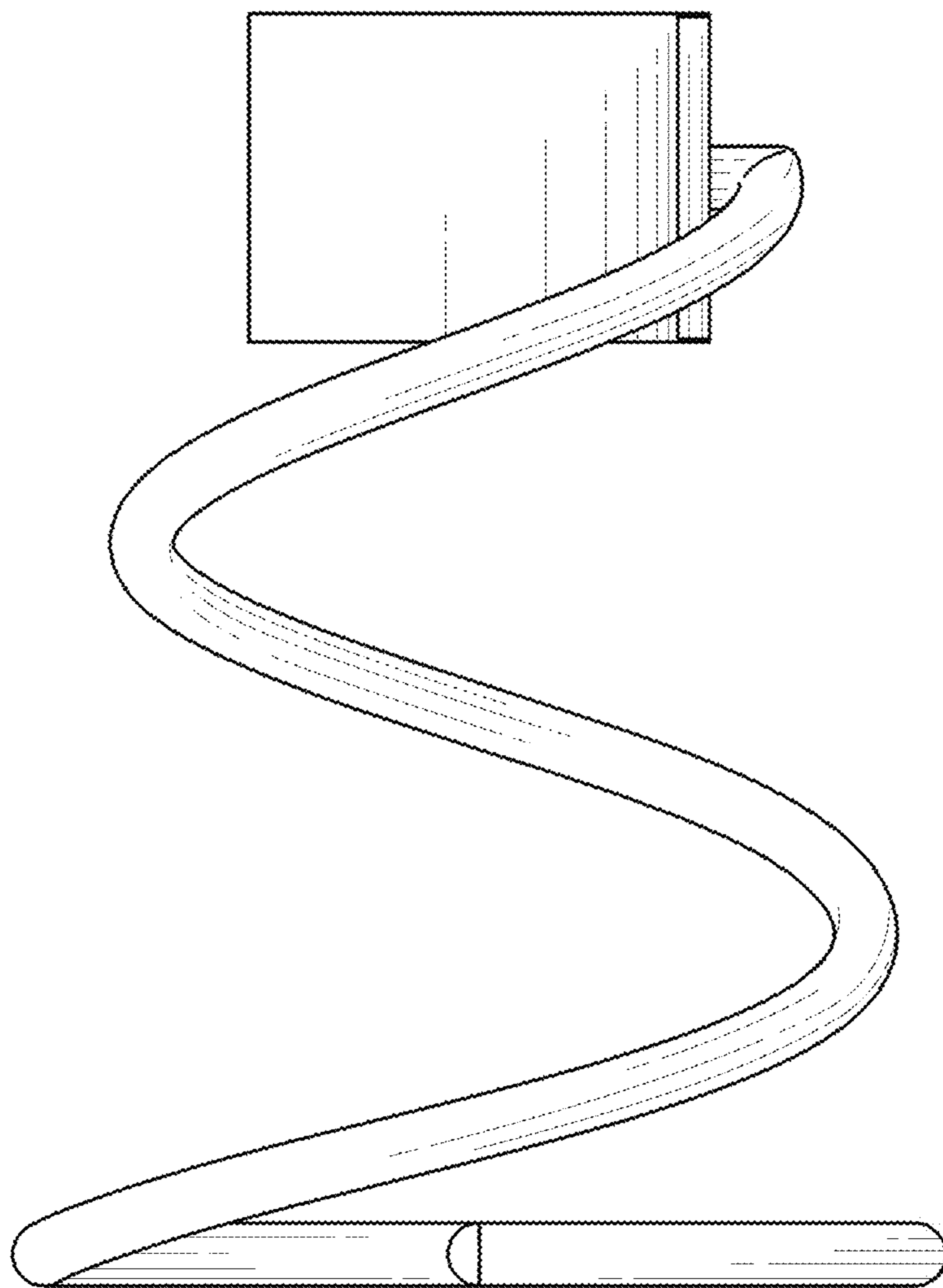
**FIG. 2**



**FIG. 3**

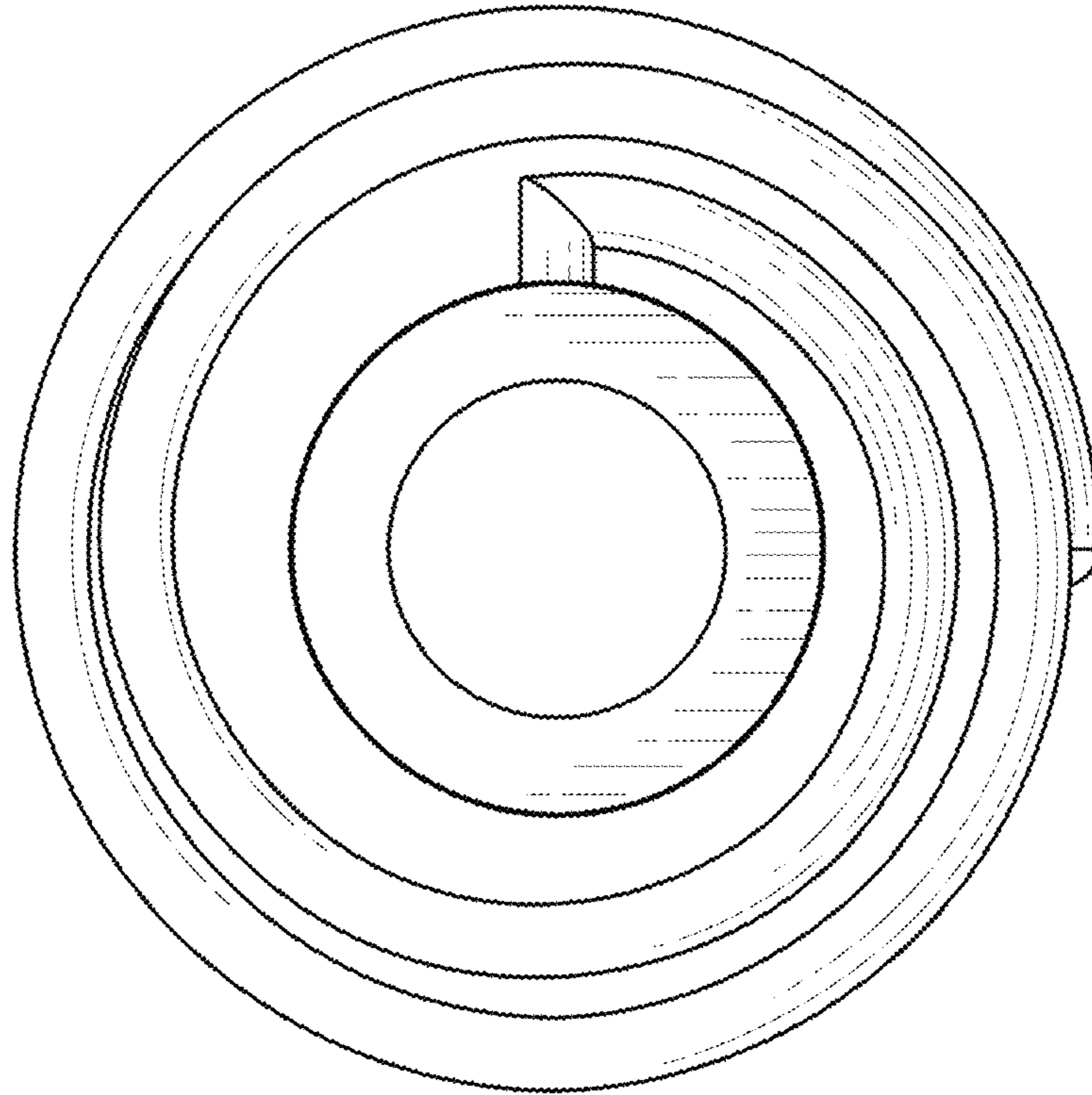


**FIG. 4**

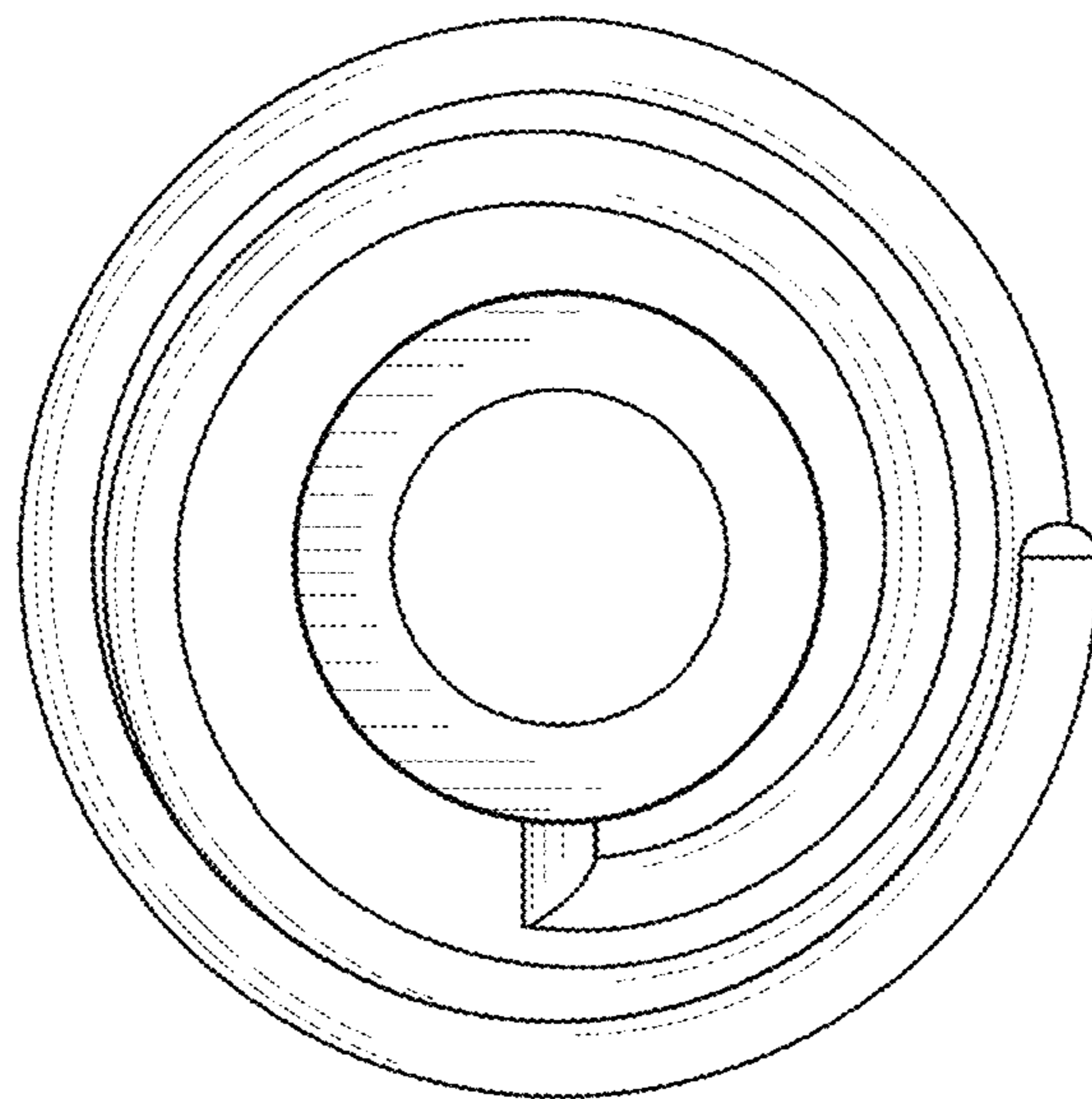


**FIG. 5**





**FIG. 6**



**FIG. 7**