

US00D802370S

(12) **United States Design Patent** (10) **Patent No.:** **US D802,370 S**  
**Tsai** (45) **Date of Patent:** **\*\* Nov. 14, 2017**

(54) **SPICE RACK**  
(71) Applicant: **Tsung-Yu Tsai**, Changhua (TW)  
(72) Inventor: **Tsung-Yu Tsai**, Changhua (TW)  
(73) Assignee: **Tsung-Yu Tsai**, Changhua, Changhua County (TW)  
(\*\*) Term: **14 Years**  
(21) Appl. No.: **29/517,001**  
(22) Filed: **Feb. 9, 2015**  
(51) **LOC (10) Cl.** ..... **07-99**  
(52) **U.S. Cl.**  
USPC ..... **D7/600.4**  
(58) **Field of Classification Search**  
USPC ... D7/600.1-600.4, 704, 601, 602, 701, 702, D7/705, 706, 708, 619.1, 641; D25/62, D25/63, 64, 65, 68, 69; D6/675, 675.2, D6/675.1; D19/86, 92; D24/234, 128, D24/216, 224, 227, 228  
CPC ..... A47F 5/01; A47F 5/13; A47F 7/00; A47B 73/002; A47J 47/16  
See application file for complete search history.

(56) **References Cited**  
U.S. PATENT DOCUMENTS  
D28,415 S \* 3/1898 Warren ..... 206/561  
731,710 A \* 6/1903 Renken ..... A47B 73/00  
211/128.1  
D45,839 S \* 5/1914 Landers ..... 211/85.26  
1,859,871 A \* 5/1932 Harlan ..... A47F 5/01  
211/181.1  
D89,907 S \* 5/1933 McGarry ..... D6/675.3  
D114,227 S \* 4/1939 May ..... D34/21  
2,186,883 A \* 1/1940 Robinson ..... A47F 5/13  
108/100  
D135,025 S \* 2/1943 Hoffman ..... D6/675.3  
D173,804 S \* 1/1955 Goldman et al. .... D25/65

D181,560 S \* 11/1957 Varnado, Sr. .... D25/63  
D191,249 S \* 8/1961 Gardner et al. .... 211/128.1  
D207,564 S \* 5/1967 Hartford ..... D7/600.1  
3,650,381 A \* 3/1972 Weindling ..... A47F 7/283  
206/742  
D225,493 S \* 12/1972 Rossi ..... D25/65  
D302,218 S \* 7/1989 Everett ..... D6/675.5  
D319,356 S \* 8/1991 Vukelich, Sr. .... D6/405  
D456,640 S \* 5/2002 Harwanko ..... D6/675.1  
D458,385 S \* 6/2002 Rosko ..... D25/64  
D507,431 S \* 7/2005 Goth ..... D6/675.3  
D518,316 S \* 4/2006 Gusdorf ..... D6/675.3  
D587,040 S \* 2/2009 Goodman ..... D19/92  
D591,533 S \* 5/2009 Karsson ..... D6/675.3  
D594,135 S \* 6/2009 Jane Stopp ..... D25/65  
D693,608 S \* 11/2013 Cheng ..... D6/675.1  
D716,590 S \* 11/2014 Hsu ..... D6/675.3  
D730,664 S \* 6/2015 Klein ..... D6/675.1

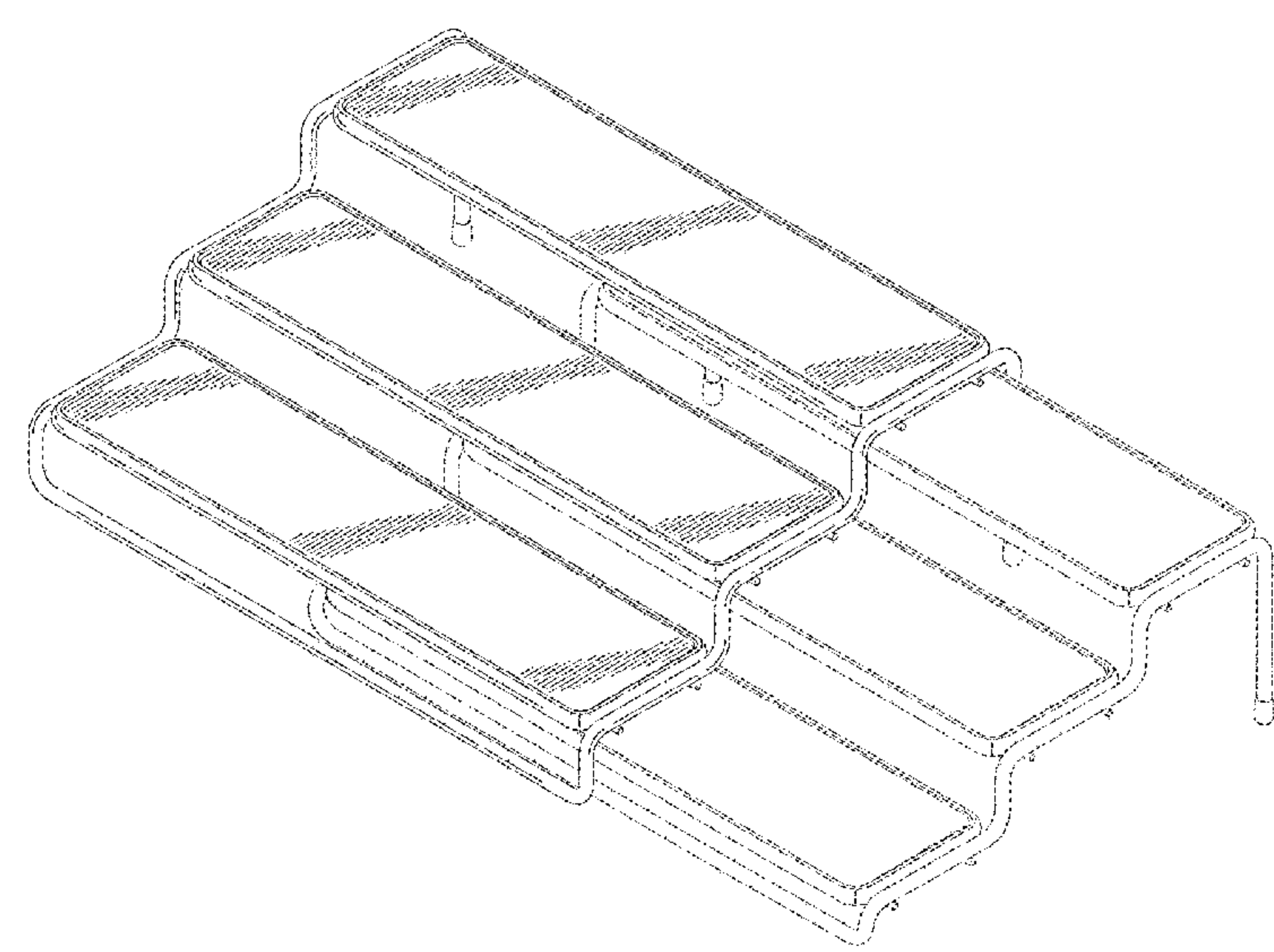
(Continued)

*Primary Examiner* — Ian Simmons  
*Assistant Examiner* — Shannon Morgan  
(74) *Attorney, Agent, or Firm* — Muncy, Geissler, Olds & Lowe, P.C.

(57) **CLAIM**  
The ornamental design for a spice rack, as shown and described.

**DESCRIPTION**  
FIG. 1 is a perspective view of a spice rack showing the new design;  
FIG. 2 is another perspective view thereof;  
FIG. 3 is a front elevational view thereof;  
FIG. 4 is a rear elevational view thereof;  
FIG. 5 is a left side elevational view thereof;  
FIG. 6 is a right side elevational view thereof;  
FIG. 7 is a top plan view thereof; and,  
FIG. 8 is a bottom plan view thereof.  
The broken lines shown in FIGS. 1-8 depict portions of the spice rack that form no part of the claimed design.

**1 Claim, 8 Drawing Sheets**



(56)

**References Cited**

U.S. PATENT DOCUMENTS

D730,665 S *	6/2015	Murakami .....	D6/675.3
D737,079 S *	8/2015	Tsai .....	D6/675.3
D747,629 S *	1/2016	Goodman .....	D7/600.4
D785,994 S *	5/2017	Brown .....	D6/675.3
D785,995 S *	5/2017	Tsai .....	D6/675.1
2012/0111815 A1 *	5/2012	Berry .....	A47J 47/16 211/74

\* cited by examiner

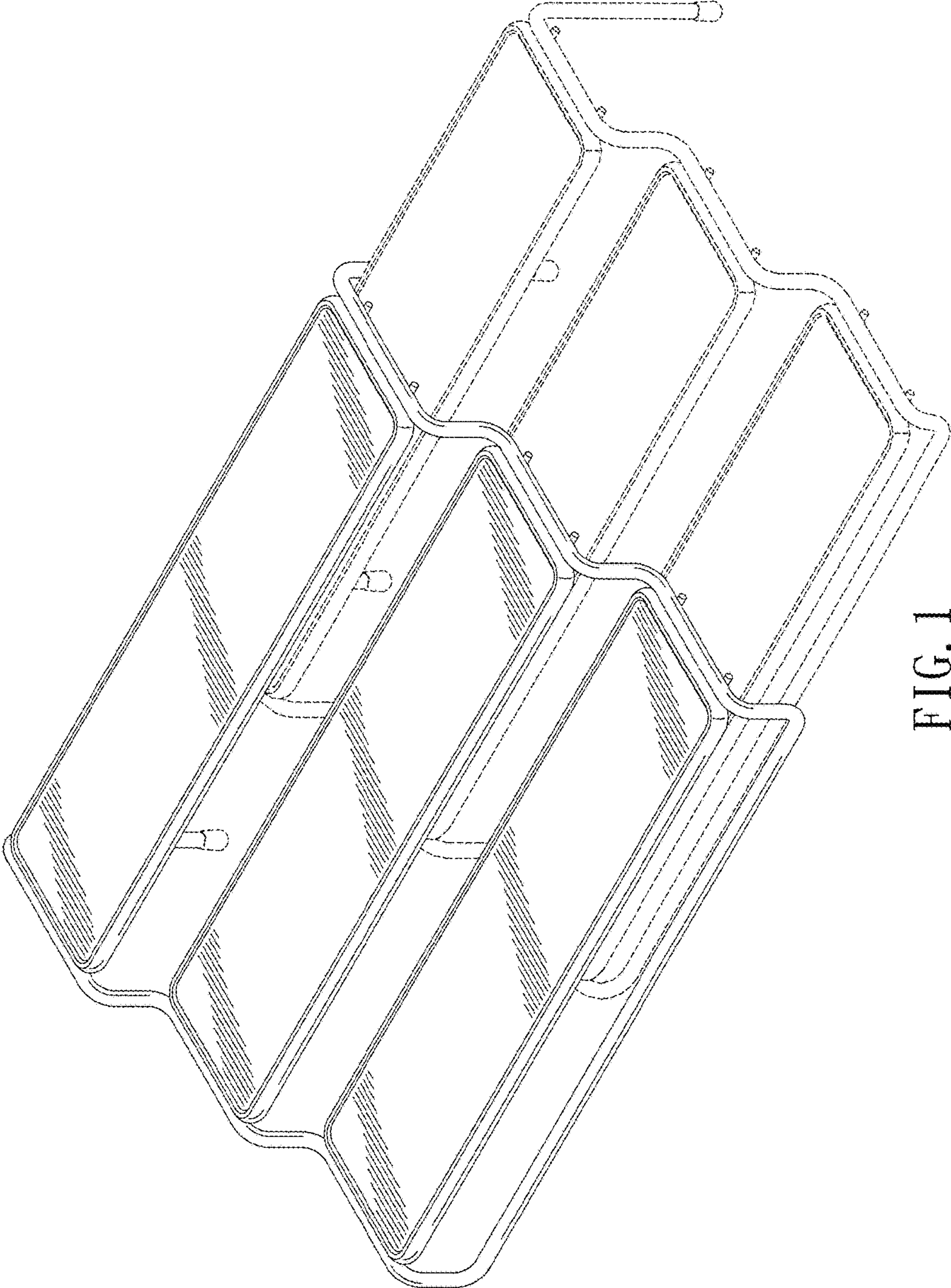


FIG. 1



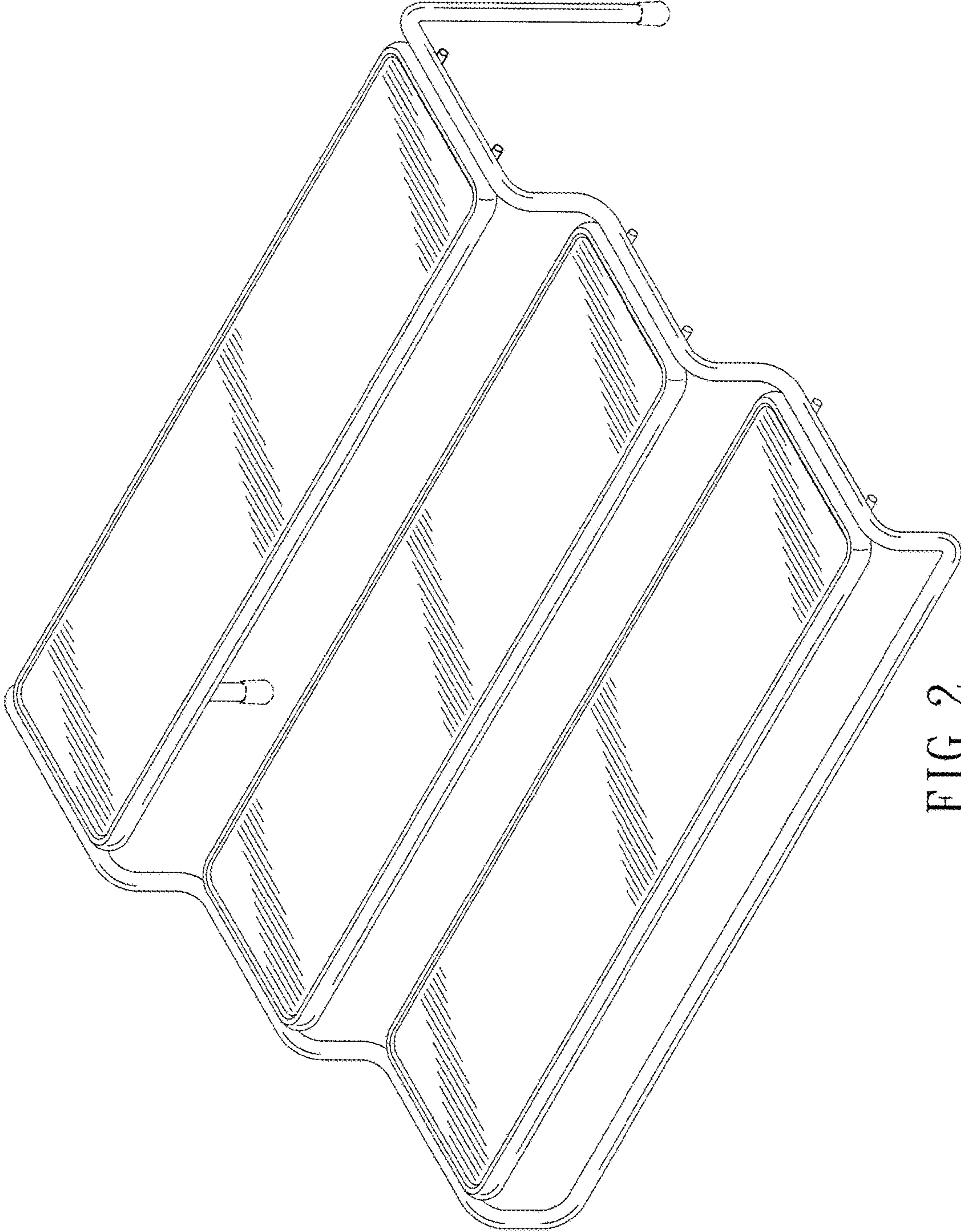


FIG. 2

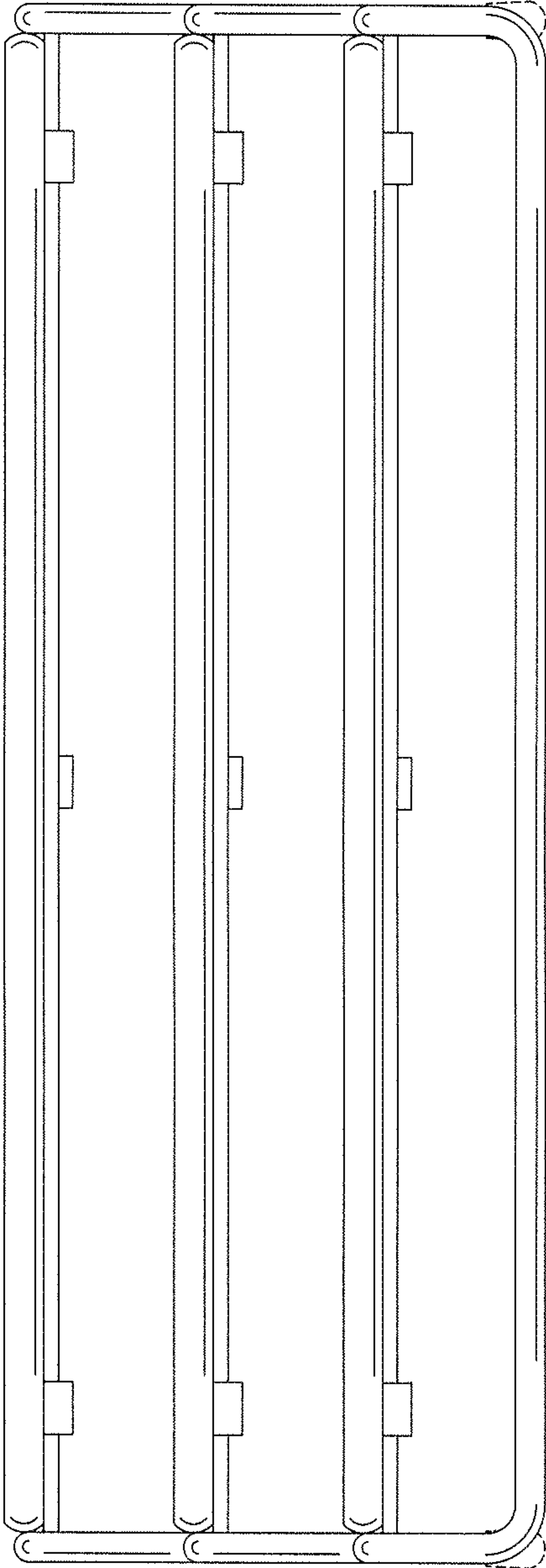


FIG. 3

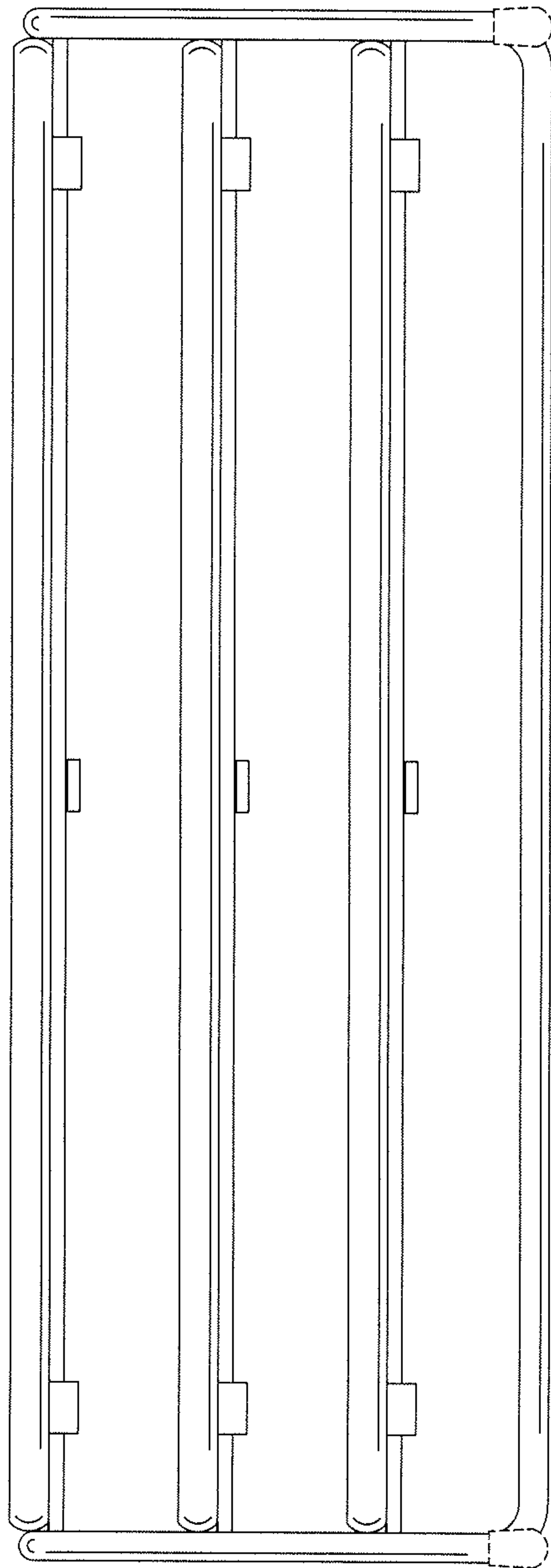


FIG. 4

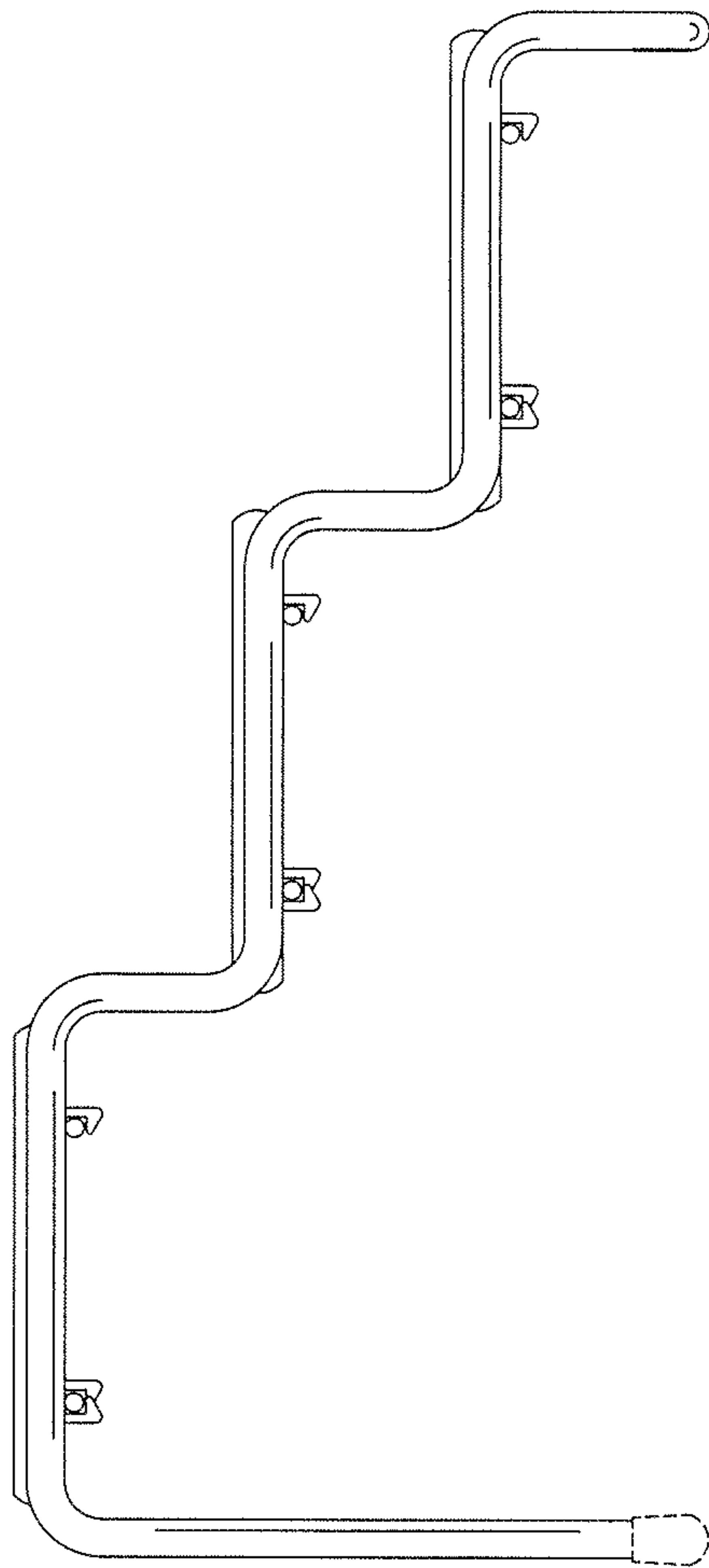


FIG. 5

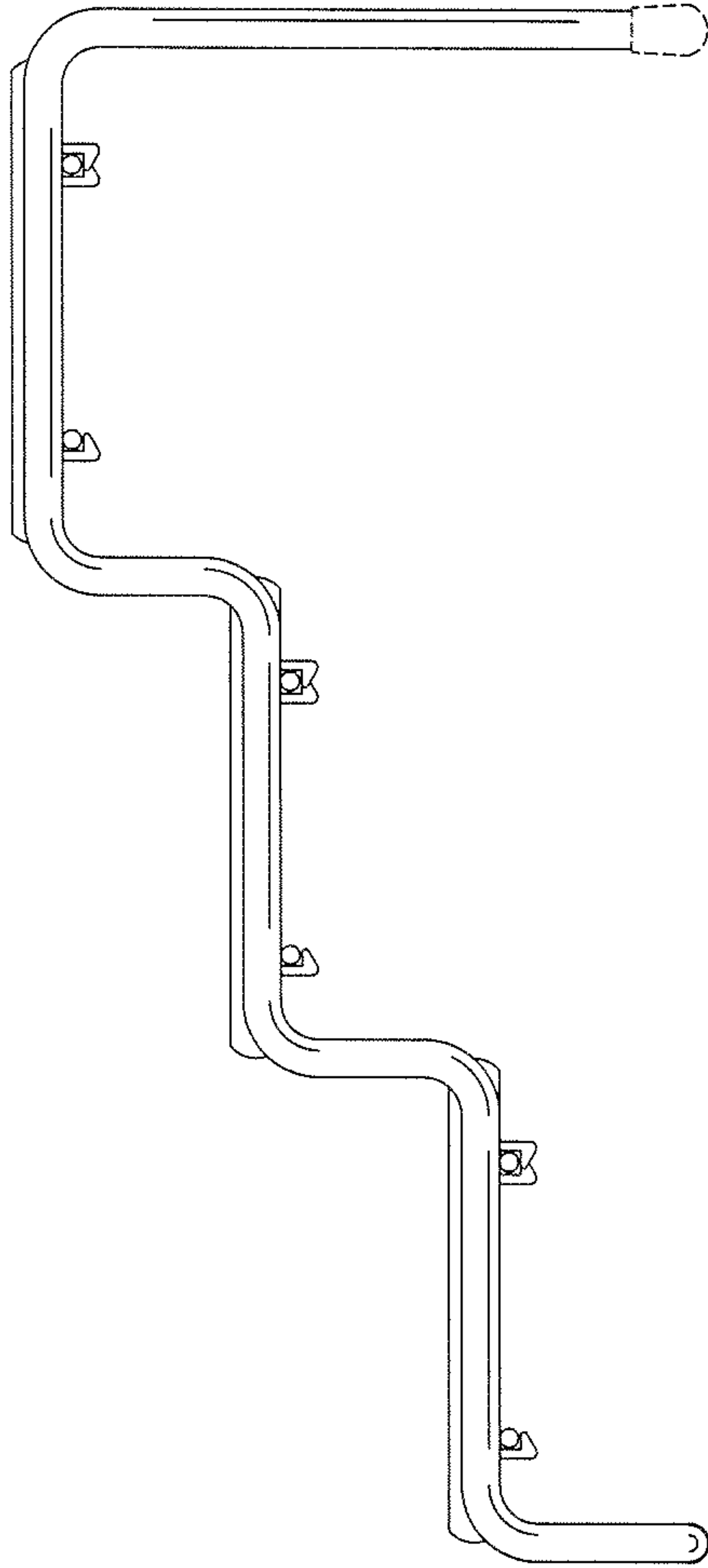


FIG. 6



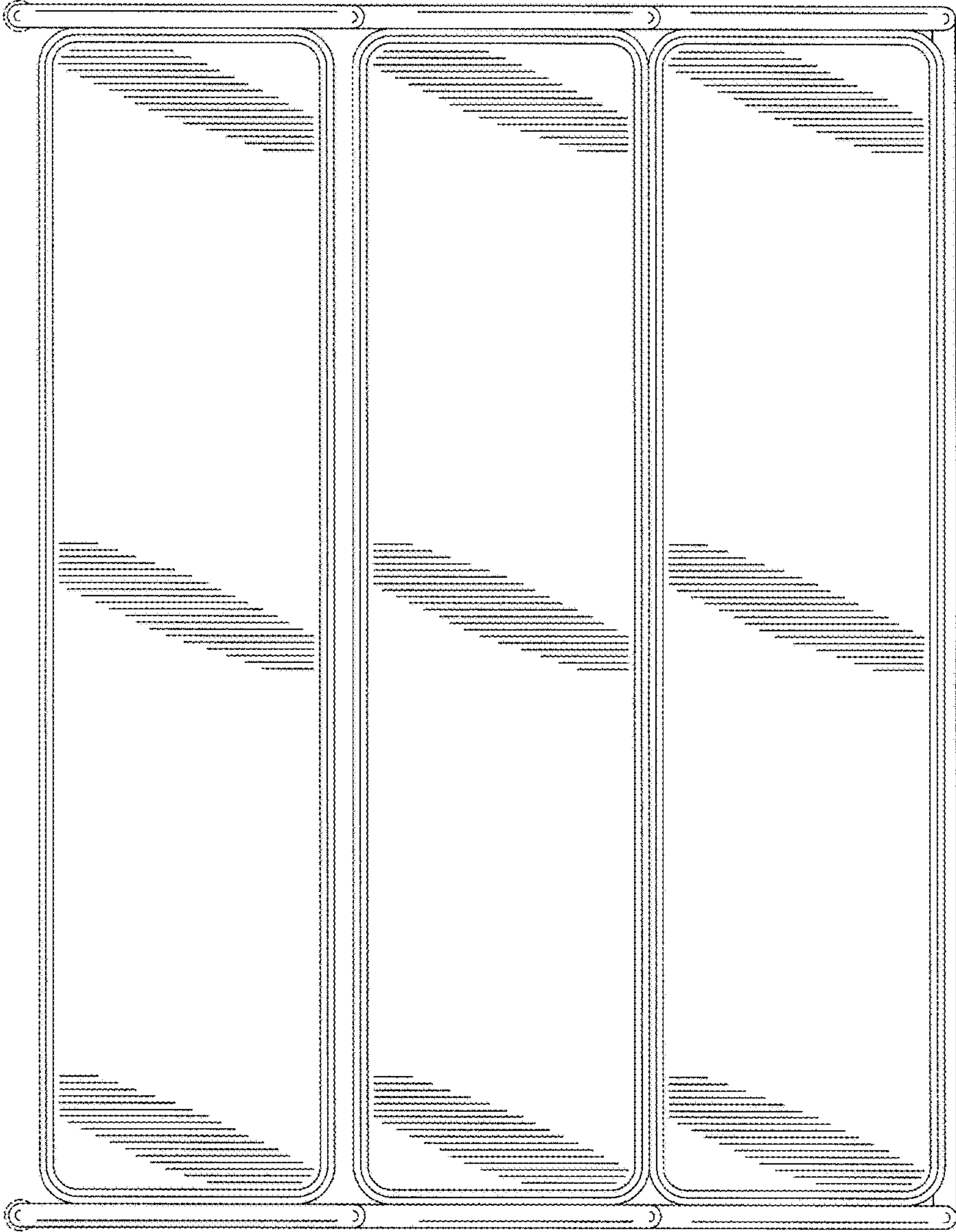


FIG. 7

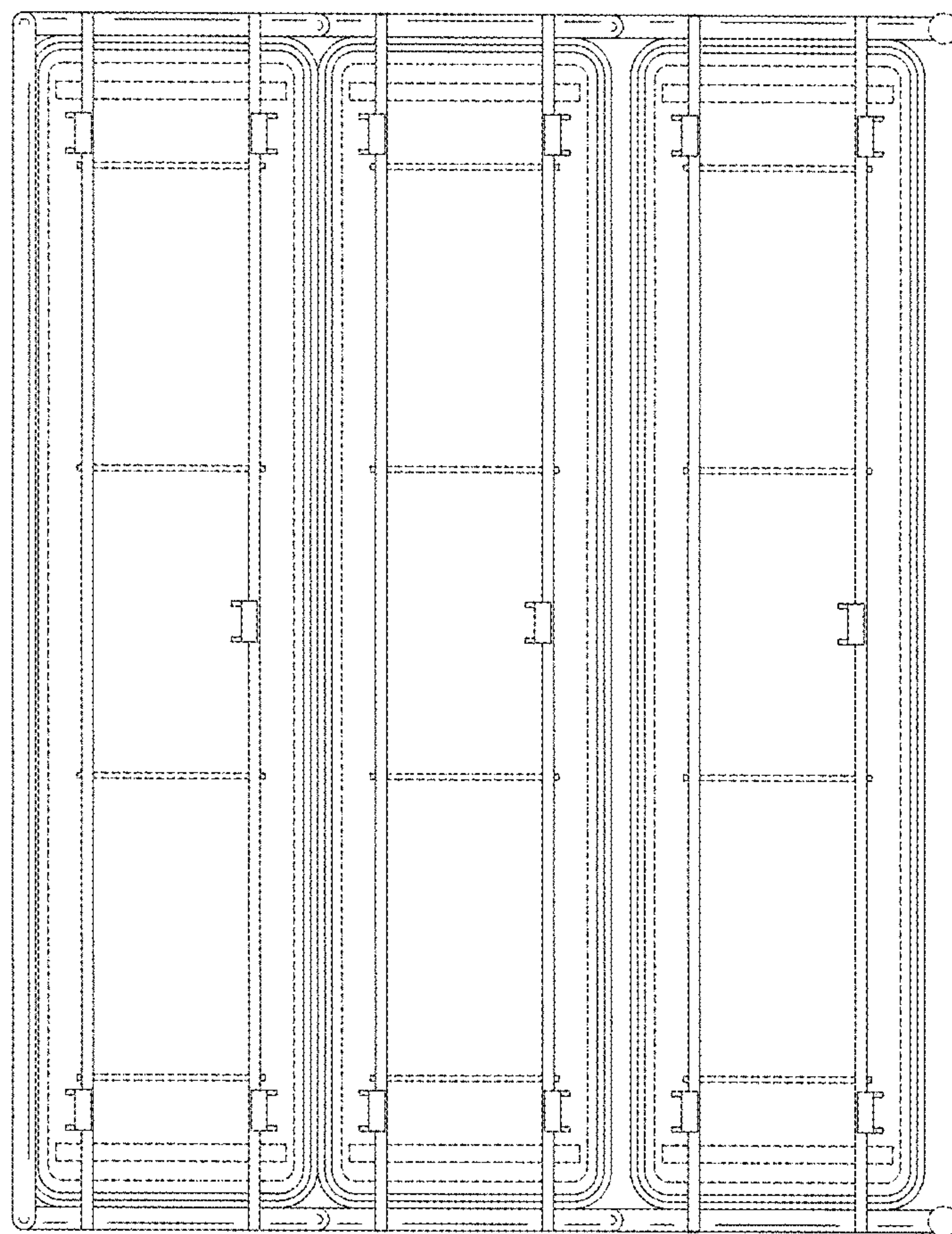


FIG. 8