



US00D802369S

(12) **United States Design Patent**  
**Hertaus et al.**

(10) **Patent No.:** **US D802,369 S**

(45) **Date of Patent:** **\*\* Nov. 14, 2017**

(54) **COMBINED COFFEE POT HOLDER AND  
DRAWER FOR BEVERAGE CARTRIDGE**

(71) Applicant: **Nifty Home Products, Inc.**, Madison  
Lake, MN (US)

(72) Inventors: **Todd Hertaus**, New Market, MN (US);  
**Nick Tieglund**, Mankato, MN (US)

(73) Assignee: **Nifty Home Products, Inc.**, Madison  
Lake, MN (US)

(\*\*) Term: **15 Years**

(21) Appl. No.: **29/561,245**

(22) Filed: **Apr. 14, 2016**

(51) **LOC (10) Cl.** ..... **07-99**

(52) **U.S. Cl.**  
USPC ..... **D7/600.1**

(58) **Field of Classification Search**

USPC ... D7/600, 600.1-600.4, 392, 397, 589, 590,  
D7/596, 597, 601, 602, 609, 610, 612,  
D7/614, 615, 620-623, 628-632,  
D7/637-641, 701-708, 708.1, 709, 710;  
D3/304-315, 317, 319, 302, 316;  
D6/559, 560, 566, 567, 570, 571, 573,  
D6/574, 512, 705, 705.1, 705.2, 705.3,  
D6/705.4, 705.5, 705.6, 705.7, 706, 707,  
D6/707.1, 707.19, 707.15, 627, 628, 629,  
D6/631, 654, 654.11, 654.12, 654.13,  
D6/654.14, 654.15, 654.18, 654.19, 654.2,  
D6/654.22, 654.21, 655, 655.11, 655.12,  
D6/655.13, 655.14, 655.15, 655.17,  
D6/655.18, 655.19, 655.2, 655.22, 655.23,  
D6/691.9, 692.4, 692.5, 693.1, 693.2,  
D6/677, 677.1, 677.2, 677.5, 678.4,  
D6/708.2, 668.1; D19/75, 77, 78, 83, 86,  
D19/92; 206/511, 557, 560, 510, 513,  
206/503, 566, 563, 564; 211/1, 10, 13.1,  
(Continued)

(56) **References Cited**

U.S. PATENT DOCUMENTS

921,694 A 5/1909 Hall  
D433,711 S 11/2000 Andujar  
(Continued)

OTHER PUBLICATIONS

“Smart Works Keurig K Cup Coffee Pod Drawer Holds 35 Pods  
Chrome Finish Glass Top”, ebay.com, Apr. 7, 2014.

*Primary Examiner* — Ian Simmons

*Assistant Examiner* — Shannon Morgan

(74) *Attorney, Agent, or Firm* — Nikolai & Mersereau,  
P.A.; Thomas J. Nikolai

(57) **CLAIM**

The ornamental design for a combined coffee pot holder and  
drawer for beverage cartridge, as shown and described.

**DESCRIPTION**

FIG. 1 is a front, right perspective view of a combined coffee  
pot holder and drawer for beverage cartridge showing our  
new design;

FIG. 2 is a front, right perspective view thereof with the  
drawer shown in an open position;

FIG. 3 is another front, right perspective view thereof with  
the drawer shown in an open position;

FIG. 4 is a front elevation view thereof;

FIG. 5 is a left side elevation view thereof;

FIG. 6 is a rear elevation view thereof;

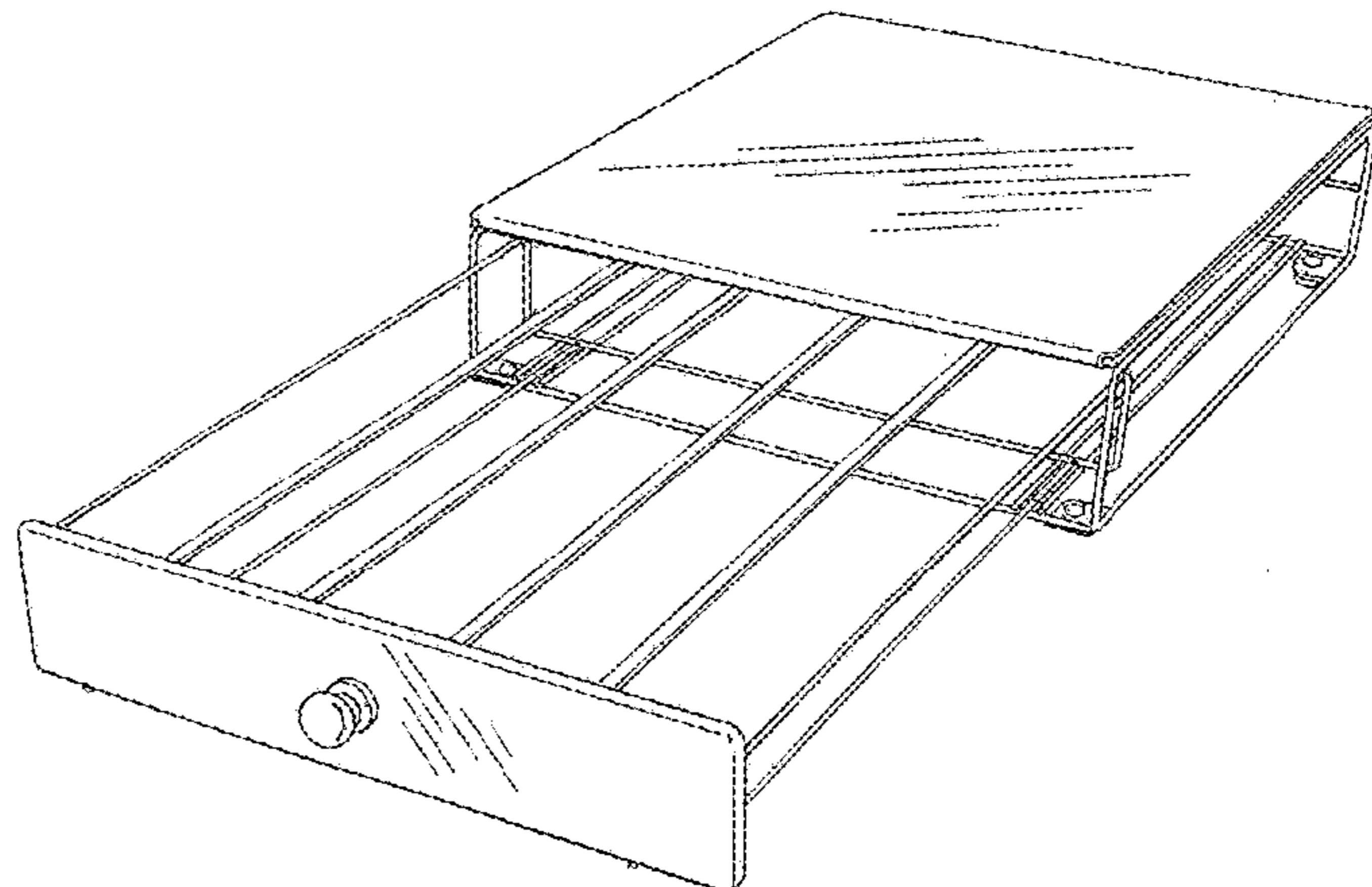
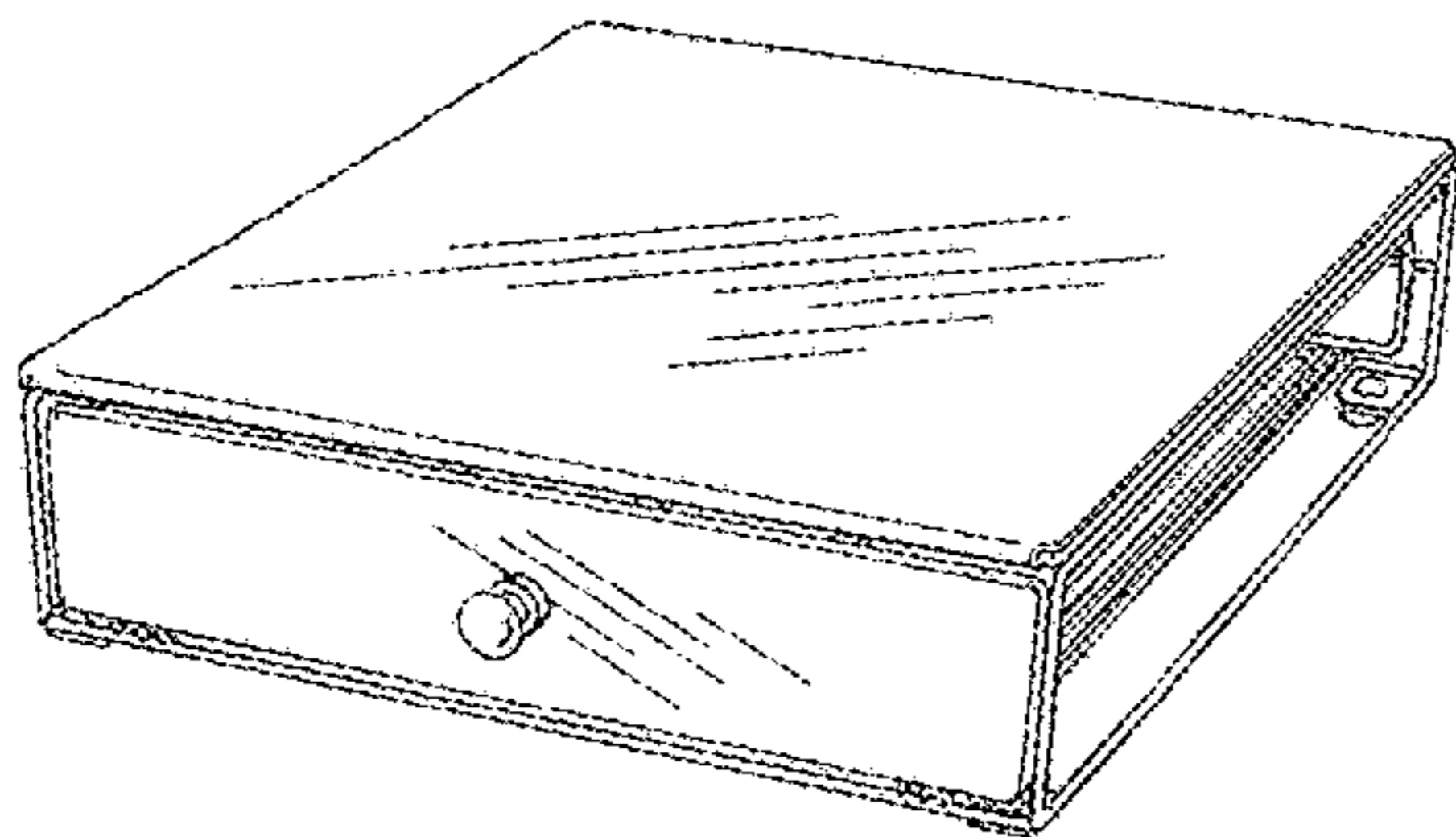
FIG. 7 is a right elevation view thereof;

FIG. 8 is a top plan view thereof; and,

FIG. 9 is a bottom plan view thereof.

The broken lines shown in FIG. 3 of the combined coffee pot  
holder and drawer for beverage cartridge are for the purpose  
of illustrating environment, and form no part of the claimed  
design.

**1 Claim, 5 Drawing Sheets**



(58) **Field of Classification Search**

USPC ... 211/69.1, 69.5, 70, 70.1, 70.6, 74, 77, 78,  
 211/85.1, 85.2, 85.4, 85.5, 85.31, 126.9,  
 211/126.11, 126.15, 129.1, 131.1, 133.2,  
 211/133.4, 134, 133.5, 133.6, 181.1, 182;  
 312/323, 330.1, 334.1, 334.27, 408, 410,  
 312/334.44, 325, 326, 327, 332.1, 333;  
 220/485, 493, 491  
 CPC ..... A45D 33/22; B65D 2203/00; B65D 7/20;  
 B65D 83/00; B65D 21/00; B65D 85/305;  
 B65D 85/30; A47G 7/02; A47B 88/00;  
 A47B 88/0003; A47B 88/0007; A47B  
 88/0014; A47B 88/20; A47B 88/202;  
 A47B 88/04; A47B 88/0466; A47B  
 88/0418; A47B 81/007; A47B 2088/0444;  
 A47J 31/3642; A47J 47/16; A47J 47/00;  
 A47J 31/44; A47J 31/36

See application file for complete search history.

(56) **References Cited**

U.S. PATENT DOCUMENTS

6,840,593 B2 1/2005 Remmers  
 D525,488 S 7/2006 McWhorter  
 D547,094 S 7/2007 Klein et al.  
 D628,444 S 12/2010 Snider  
 D628,445 S 12/2010 Snider  
 D635,363 S 4/2011 Hertaus  
 D635,765 S 4/2011 Hertaus  
 D643,686 S 8/2011 Tiemann  
 D644,069 S 8/2011 Tiemann  
 D644,491 S \* 9/2011 Snider ..... D7/600.1  
 D659,481 S 5/2012 Tiemann  
 D660,088 S 5/2012 Tiemann  
 D660,652 S 5/2012 Tiemann  
 D661,951 S 6/2012 Tiemann  
 D665,230 S \* 8/2012 Snider ..... D7/600.1

D674,213 S \* 1/2013 Hertaus ..... D6/663  
 D676,265 S \* 2/2013 Tawil ..... D6/705.6  
 D676,715 S \* 2/2013 Tsai ..... D7/600.1  
 D679,954 S \* 4/2013 Snider ..... D7/600.1  
 D680,380 S 4/2013 Tiemann  
 D682,039 S 5/2013 Tiemann  
 D682,040 S 5/2013 Tiemann  
 D684,404 S \* 6/2013 Hertaus ..... D6/705  
 D686,464 S 7/2013 Tiemann  
 D691,858 S 10/2013 Tiemann  
 D701,431 S \* 3/2014 Tsai ..... D7/600.1  
 D701,733 S 4/2014 Tiemann  
 D703,002 S 4/2014 Tiemann  
 D703,003 S 4/2014 Tiemann  
 D703,005 S 4/2014 Tiemann  
 D708,906 S 7/2014 Tiemann  
 D708,907 S 7/2014 Tiemann  
 D708,908 S 7/2014 Tiemann  
 D708,909 S 7/2014 Tiemann  
 D713,691 S \* 9/2014 Sabounjian ..... D7/600.1  
 D722,831 S \* 2/2015 Tuang ..... D7/600.1  
 8,974,014 B1 3/2015 Tiemann  
 D734,101 S \* 7/2015 Greenspon ..... D7/600.1  
 D743,748 S 11/2015 Tiemann  
 D750,442 S 3/2016 Tiemann  
 D755,574 S \* 5/2016 Lee ..... D7/600.1  
 2005/0205578 A1 9/2005 Yeh  
 2005/0217136 A1 \* 10/2005 Blankenship ..... F26B 5/045  
 34/406  
 2014/0048538 A1 \* 2/2014 Sabounjian ..... B65B 5/08  
 220/486  
 2014/0091695 A1 \* 4/2014 Sabounjian ..... A47J 31/3642  
 312/348.3  
 2014/0097120 A1 \* 4/2014 Sabounjian ..... A47J 31/44  
 206/565  
 2014/0217876 A1 \* 8/2014 Tsai ..... A47B 88/16  
 312/334.44  
 2014/0265779 A1 \* 9/2014 Tsai ..... A47B 88/40  
 312/286

\* cited by examiner

FIG. 1

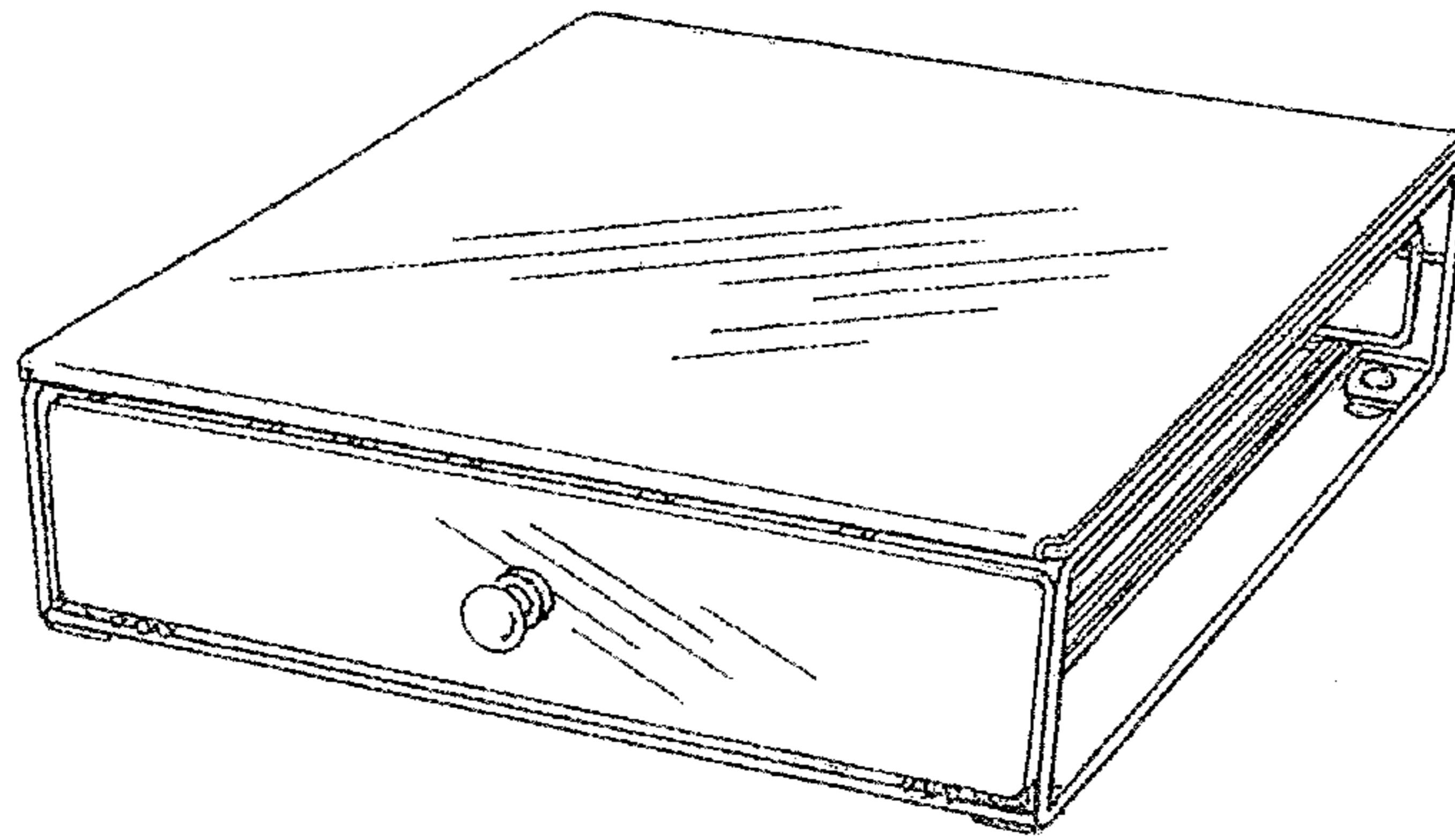


FIG. 2

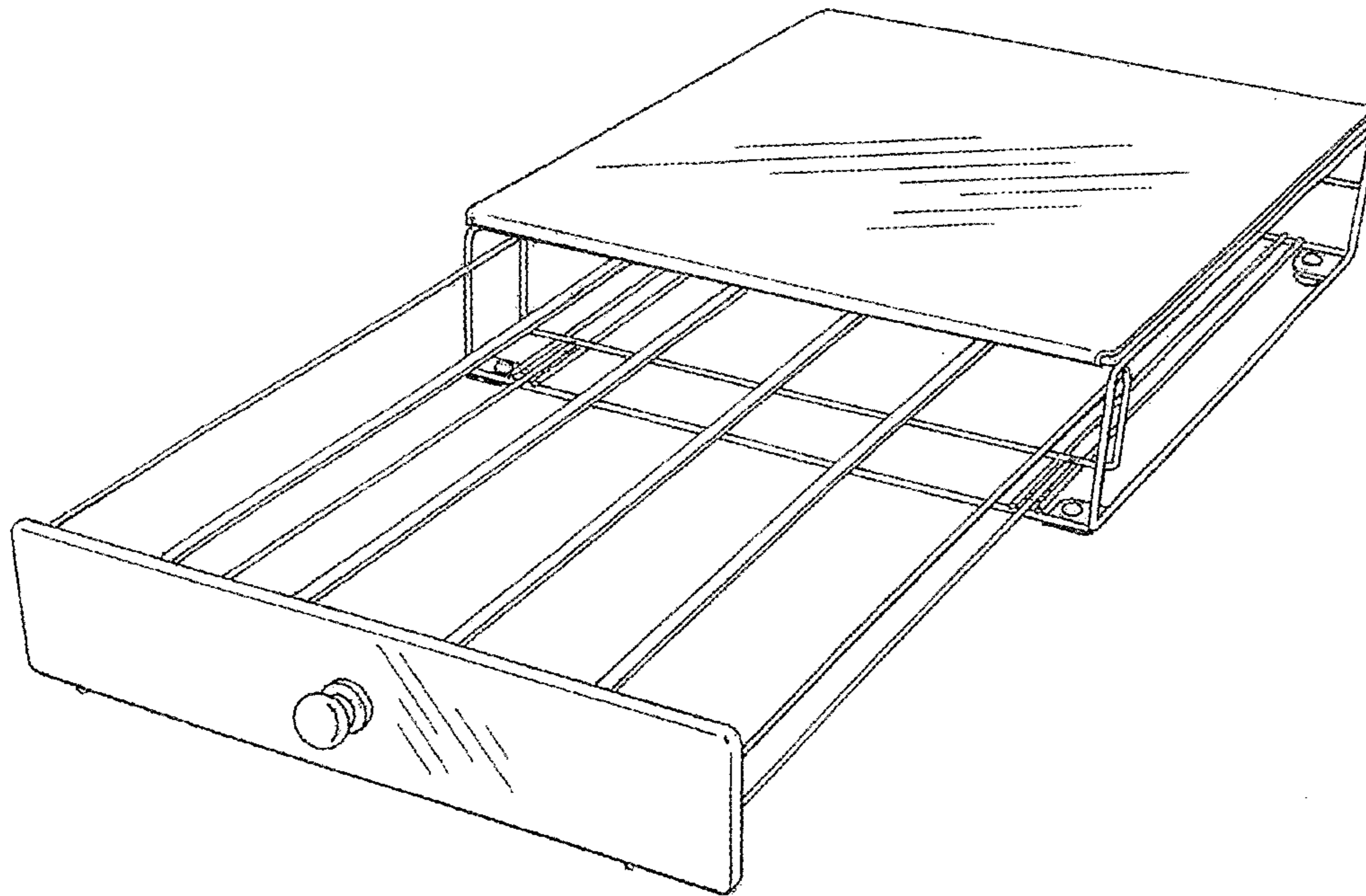


FIG. 3

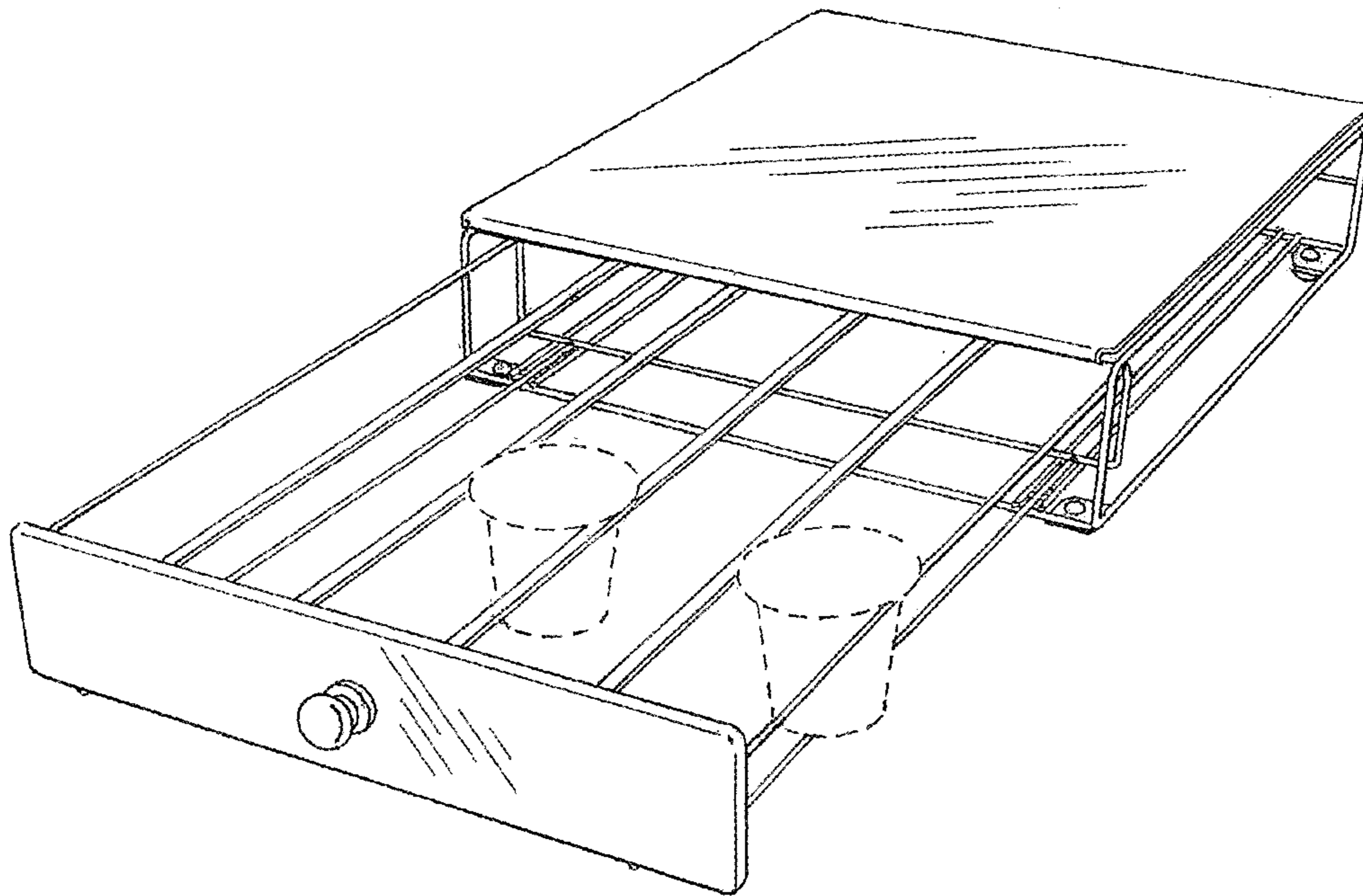


FIG. 4

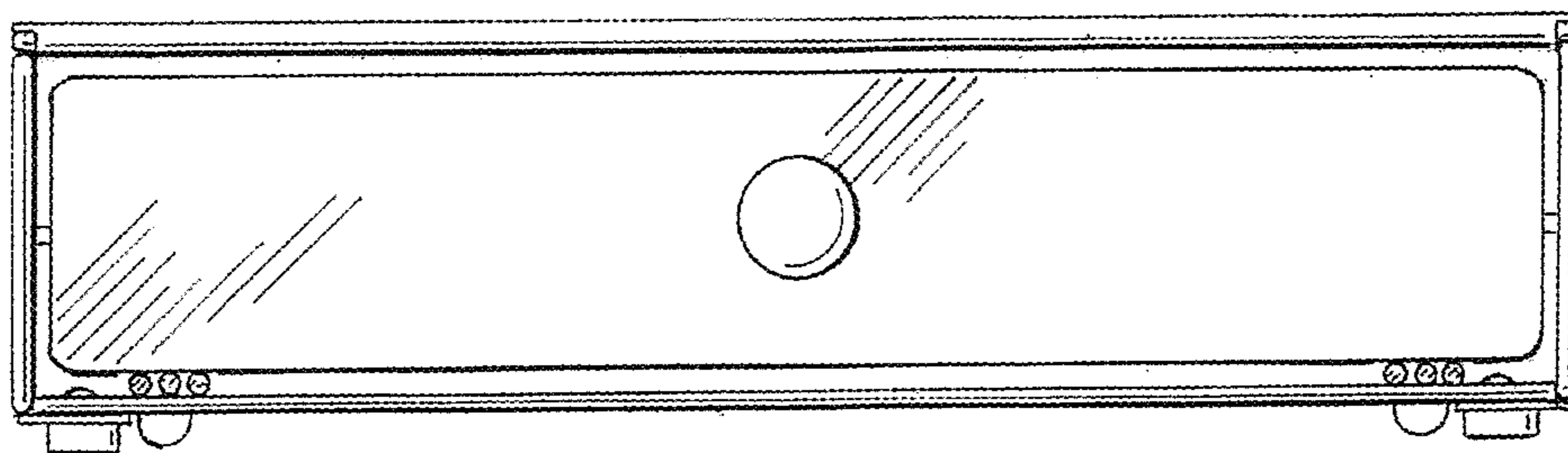


FIG. 5

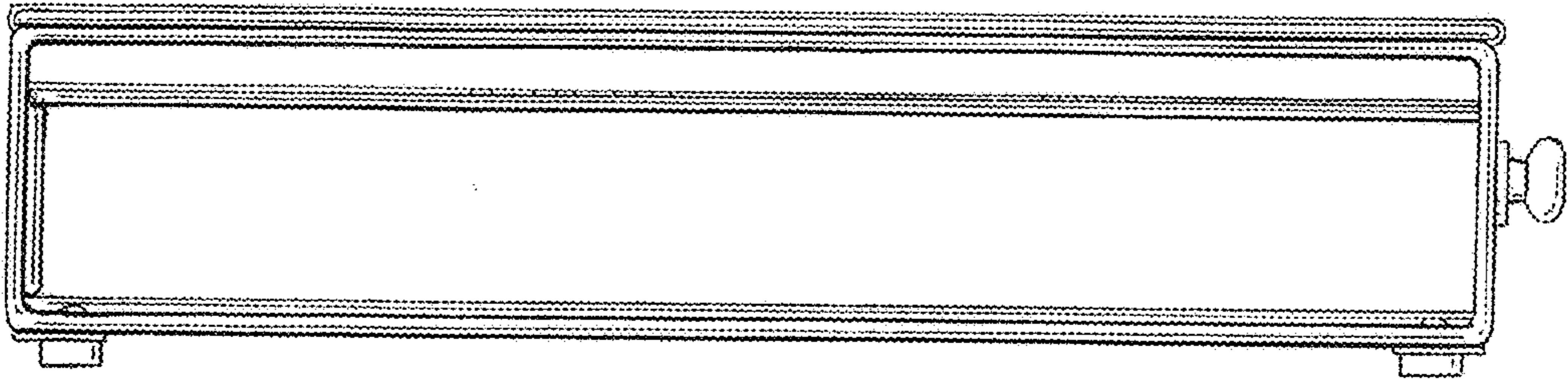


FIG. 6

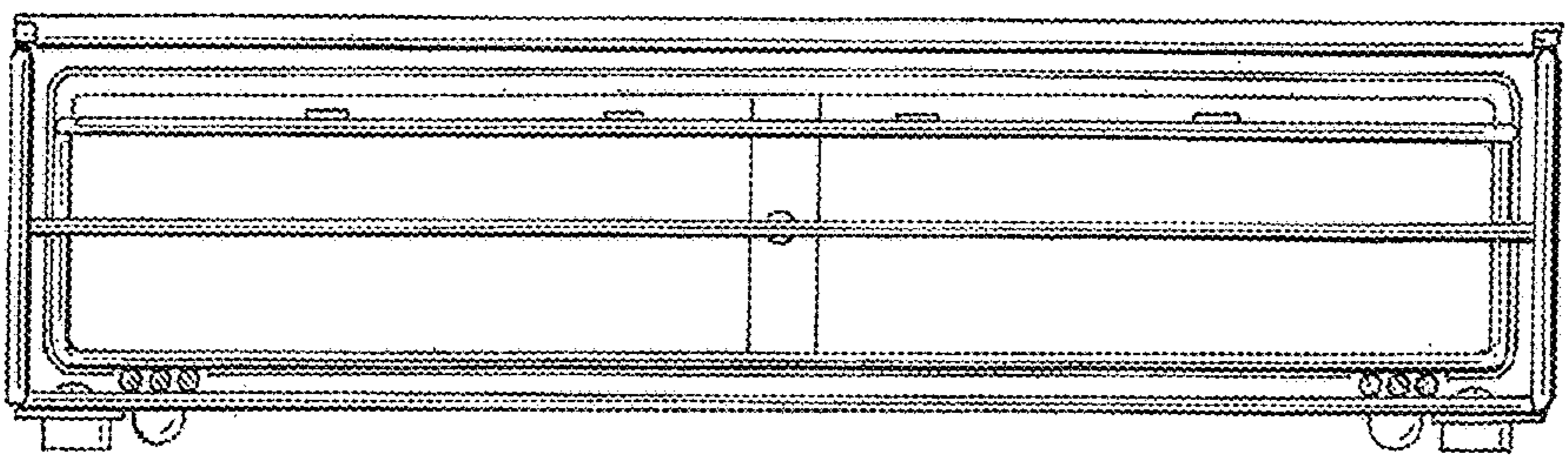


FIG. 7

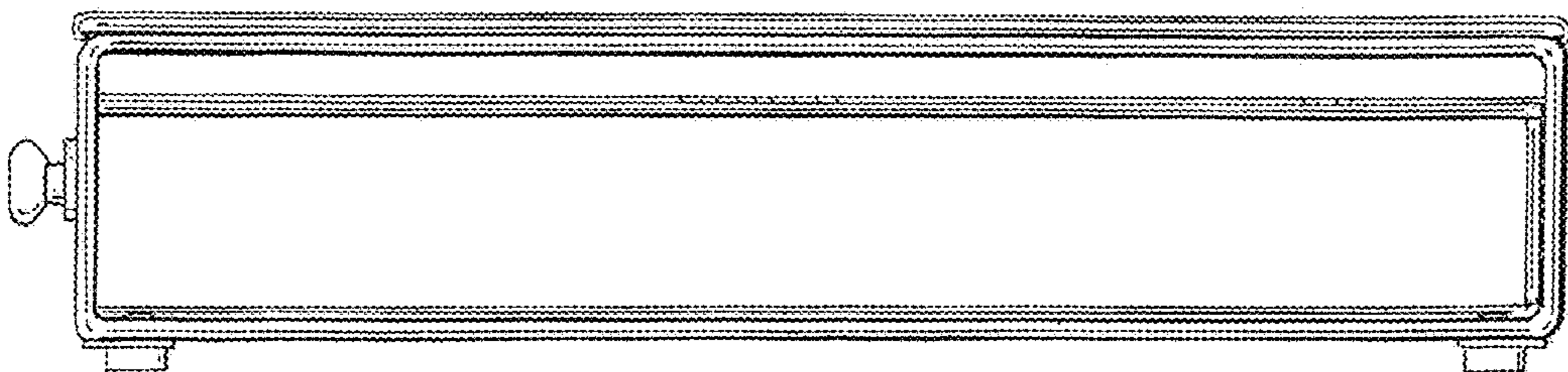


FIG. 8



FIG. 9

