



US00D802366S

(12) **United States Design Patent**  
**Cerasani**

(10) **Patent No.:** **US D802,366 S**

(45) **Date of Patent:** **\*\* Nov. 14, 2017**

(54) **SHAKER CUP**

(71) Applicant: **Platinum Products, LLC**, Missoula, MT (US)

(72) Inventor: **Anthony Cerasani**, Missoula, MT (US)

(73) Assignee: **Platinum Products, LLC**, Missoula, MT (US)

(\*\*) Term: **15 Years**

(21) Appl. No.: **29/549,684**

(22) Filed: **Dec. 28, 2015**

**Related U.S. Application Data**

(63) Continuation-in-part of application No. 29/544,012, filed on Oct. 29, 2015.

(51) **LOC (10) Cl.** ..... **07-01**

(52) **U.S. Cl.**  
USPC ..... **D7/510**; D7/511; D7/536; D7/300.1; D7/532

(58) **Field of Classification Search**

USPC ..... D7/509, 510, 511, 523, 529, 532, 533, D7/535, 536, 300, 300.1, 608, 629, 387, D7/304-315, 534, 396.1, 524, 537, 572, D7/392.1, 391; D9/503, 504, 531, 530, D9/566, 544, 549, 550, 553, 554, 516, D9/537, 454, 434, 560; 215/228, 229; 220/592.2, 592.16, 592.17; D23/202, D23/207; 99/281, 305, 307; 222/146.6; 141/247; D24/122; D3/202  
CPC .... A47G 19/22; A47G 19/2227; A47G 19/02; A47G 19/025; A47G 19/2288; Y10S 220/903

See application file for complete search history.

(56) **References Cited**

**U.S. PATENT DOCUMENTS**

58,882 A 10/1866 Pinder  
1,201,284 A 10/1916 Gilchrist

1,661,336 A 3/1928 Katz  
2,922,628 A 1/1960 Koe  
4,003,555 A 1/1977 Swartz  
4,818,114 A 4/1989 Ghavi  
4,938,375 A 7/1990 Fantacone  
5,542,922 A 8/1996 Petterson et al.  
5,547,275 A 8/1996 Lillelund et al.  
D374,150 S 10/1996 Lillelund et al.  
5,720,552 A 2/1998 Schindlegger

(Continued)

**FOREIGN PATENT DOCUMENTS**

CA 2 742 236 A1 5/2010  
KR 20-0432667 Y1 12/2006  
KR 10-0840962 B1 6/2008

**OTHER PUBLICATIONS**

Cerasani, "Shaker Cup," U.S. Appl. No. 29/544,012, filed Oct. 29, 2015, 7 pages.

*Primary Examiner* — Marianne Pandozzi

*Assistant Examiner* — Jae Liang

(74) *Attorney, Agent, or Firm* — Seed IP Law Group LLP

(57) **CLAIM**

The ornamental design for a shaker cup, as shown and described.

**DESCRIPTION**

FIG. 1 is an isometric view of a shaker cup showing my new design;

FIG. 2 is a front elevational view thereof;

FIG. 3 is a rear elevational view thereof;

FIG. 4 is a right side elevational view thereof;

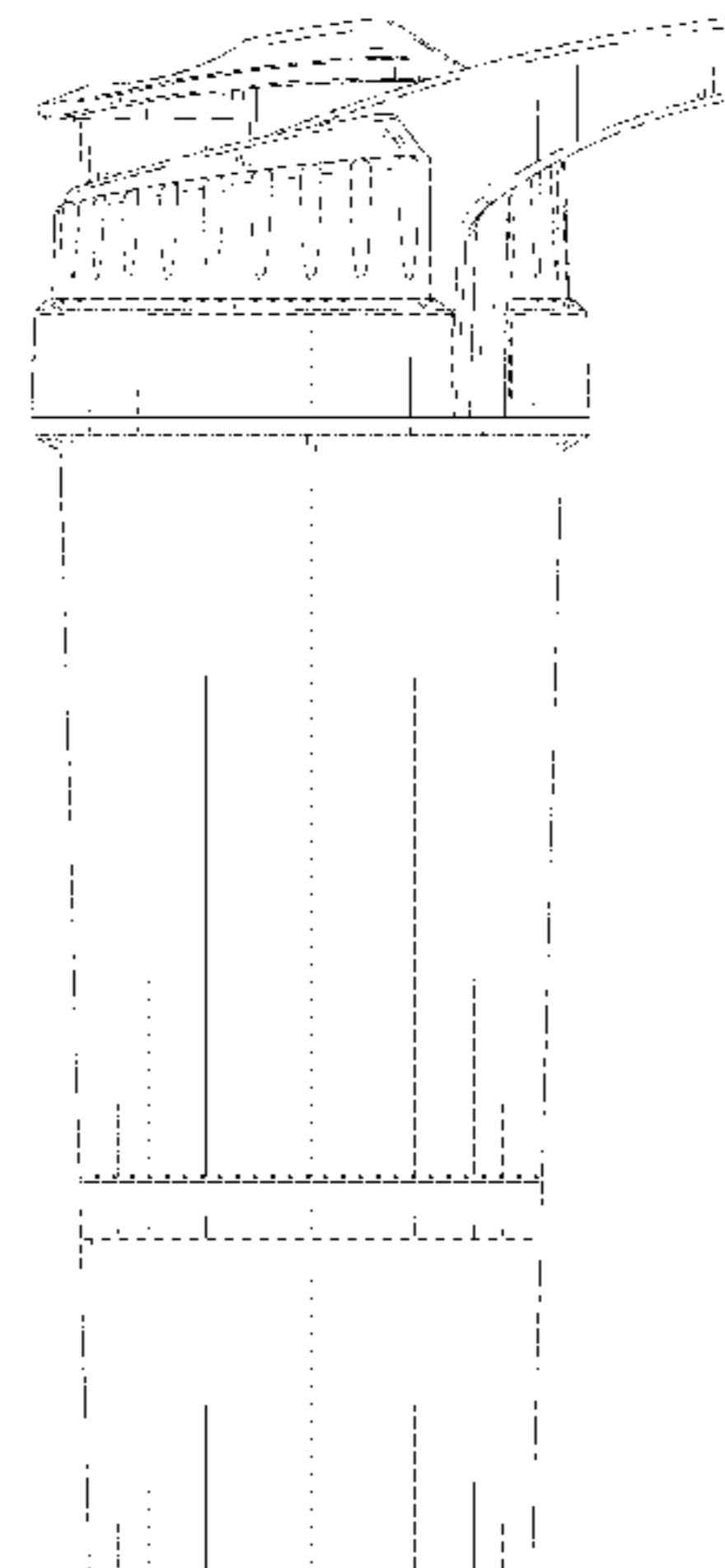
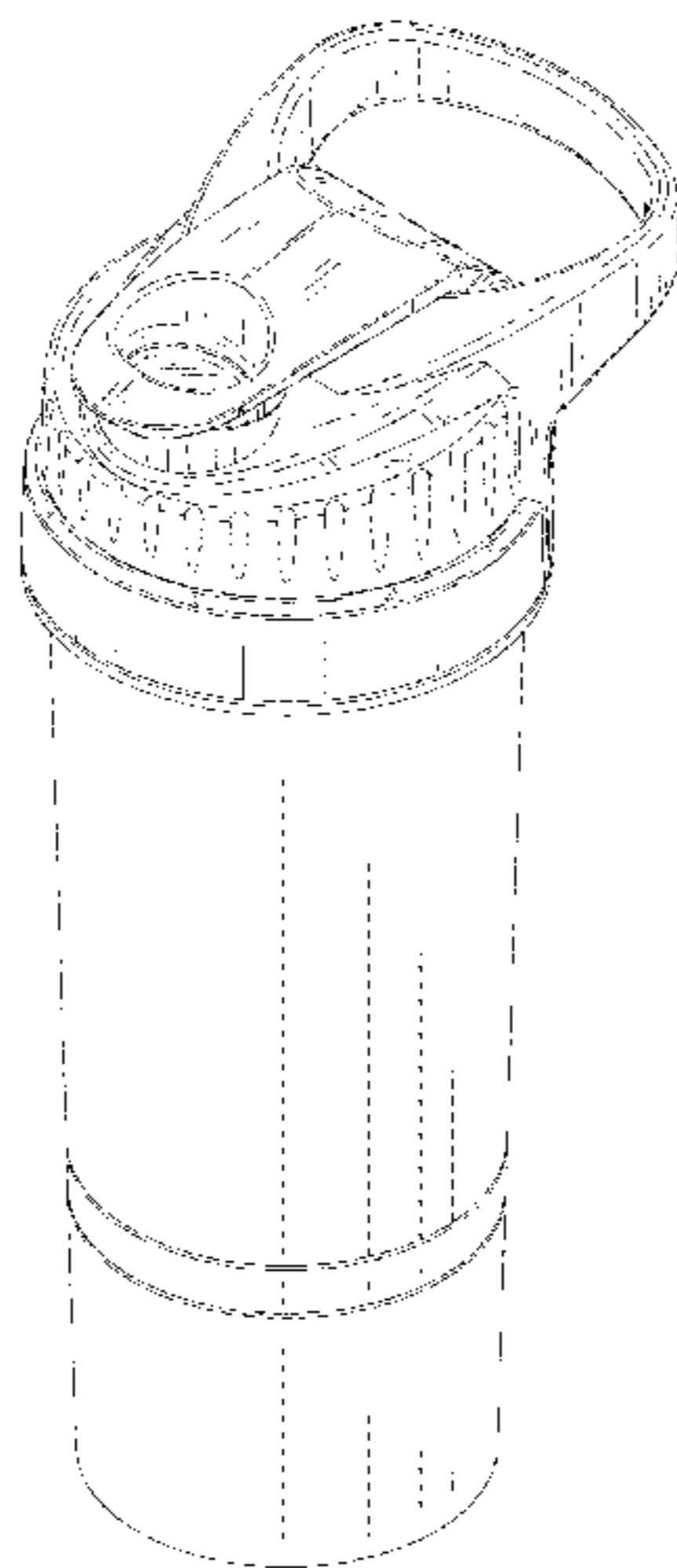
FIG. 5 is a left side elevational view thereof;

FIG. 6 is a top plan view thereof; and,

FIG. 7 is a bottom plan view thereof.

The broken lines in the drawings depict portions of the shaker cup that form no part of the claimed design.

**1 Claim, 6 Drawing Sheets**



(56)

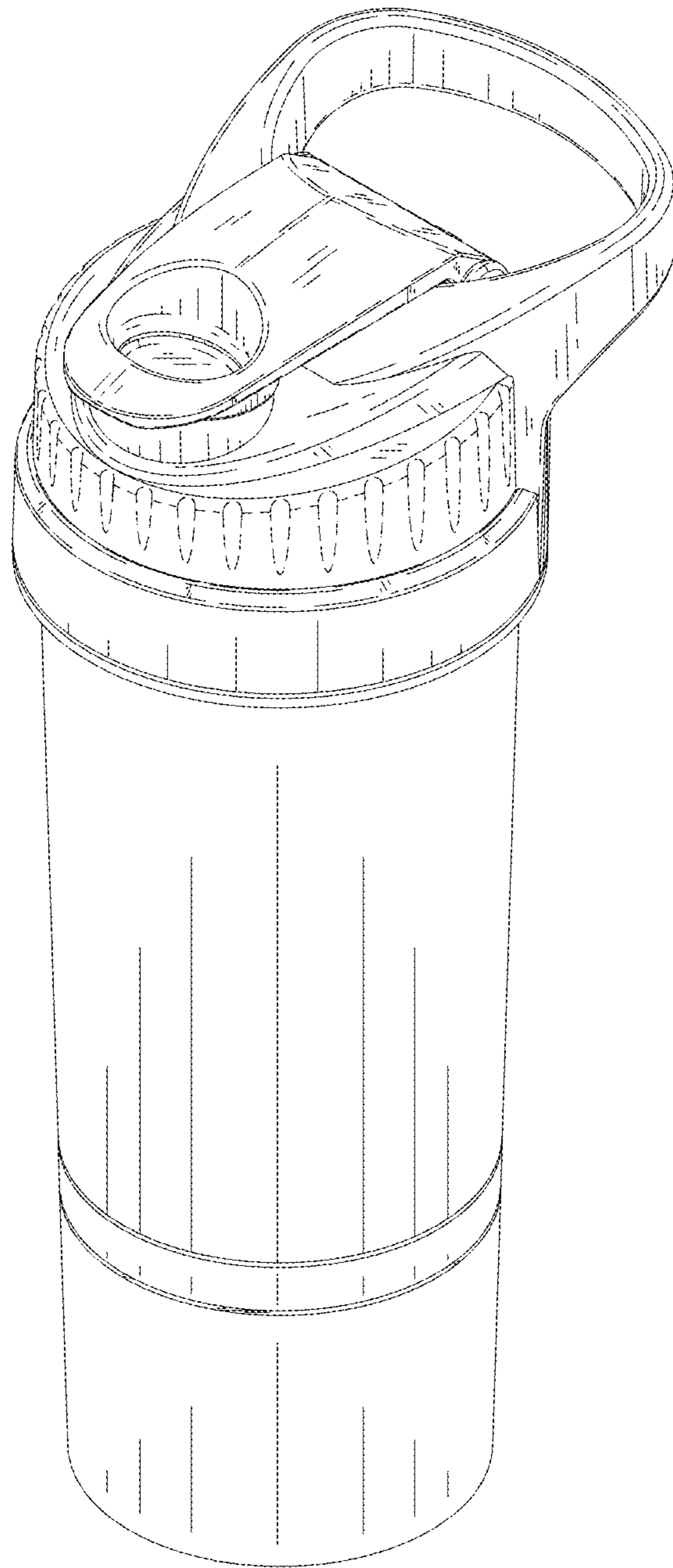
References Cited

U.S. PATENT DOCUMENTS

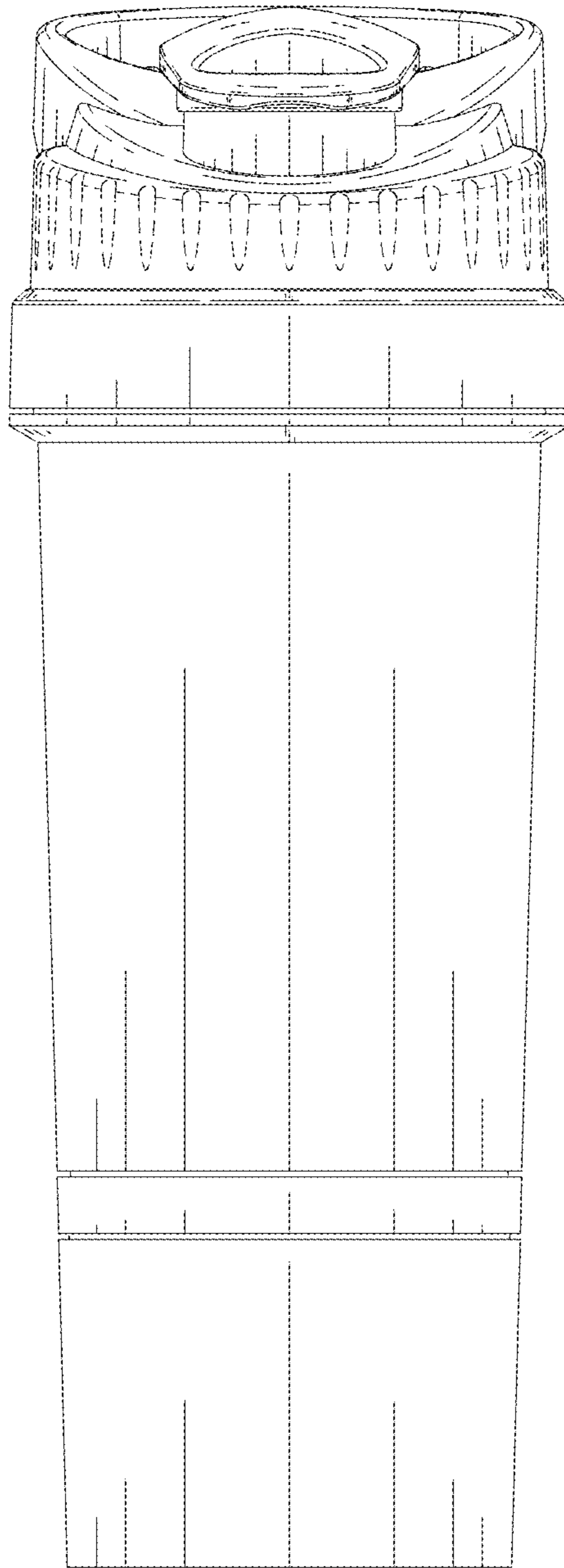
D391,802 S 3/1998 Wong  
 5,788,369 A 8/1998 Tseng  
 D426,742 S 6/2000 Gartz et al.  
 D432,865 S 10/2000 Cohen  
 6,202,542 B1 3/2001 Melton  
 D449,762 S 10/2001 Jacober et al.  
 6,913,165 B2 7/2005 Linz et al.  
 D510,235 S 10/2005 Sorensen  
 D510,678 S 10/2005 Krasne et al.  
 D559,034 S 1/2008 Bodum  
 D570,648 S 6/2008 Bodum  
 D571,610 S 6/2008 Bodum  
 D572,975 S 7/2008 Germany  
 D586,184 S \* 2/2009 Miller ..... D7/511  
 D592,913 S \* 5/2009 Pinelli ..... D7/510  
 D623,473 S 9/2010 Chen  
 D634,161 S 3/2011 Roth et al.  
 D646,919 S \* 10/2011 Nilsson ..... A47J 43/27  
 D7/300.1  
 D656,360 S \* 3/2012 Miller ..... D7/396.2  
 8,215,511 B1 \* 7/2012 Lin ..... B65D 39/08  
 215/228  
 D665,222 S 8/2012 Cerasani

1,060,419 A1 4/2013 Benjamin  
 1,075,119 A1 10/2013 Reichner  
 D719,780 S \* 12/2014 Sullivan ..... D7/392.1  
 D730,694 S \* 6/2015 Elsaden ..... D7/511  
 D739,174 S \* 9/2015 Elsaden ..... D7/392.1  
 D739,674 S \* 9/2015 Bergstrom ..... D7/300.1  
 D746,634 S \* 1/2016 Lapsker ..... D7/510  
 D746,635 S \* 1/2016 Lapsker ..... D7/510  
 D756,702 S \* 5/2016 Joseph ..... D7/392.1  
 D763,688 S \* 8/2016 Breit ..... D9/443  
 D766,029 S \* 9/2016 Lin ..... D7/300.1  
 9,492,024 B2 \* 11/2016 Sorensen ..... A47G 19/2205  
 2003/0029827 A1 2/2003 Renz  
 2004/0047231 A1 3/2004 Coll  
 2005/0174882 A1 8/2005 Krasne et al.  
 2008/0156763 A1 7/2008 Murphy  
 2009/0178940 A1 7/2009 Said  
 2011/0253733 A1 \* 10/2011 Meyers ..... B65D 47/089  
 220/833  
 2013/0279287 A1 10/2013 Cerasani  
 2014/0231378 A1 8/2014 Roos  
 2014/0360908 A1 \* 12/2014 Sorensen ..... B65D 21/0228  
 206/501  
 2015/0173539 A1 \* 6/2015 Mason ..... A47G 19/2272  
 220/707

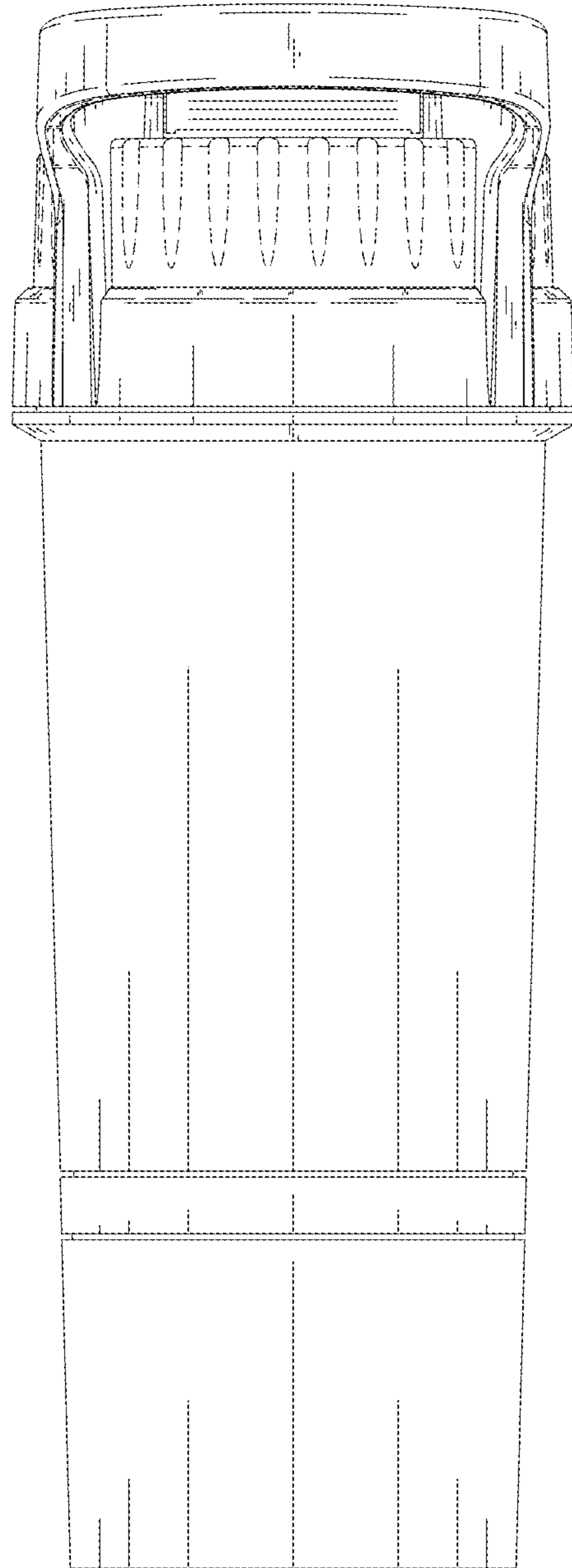
\* cited by examiner



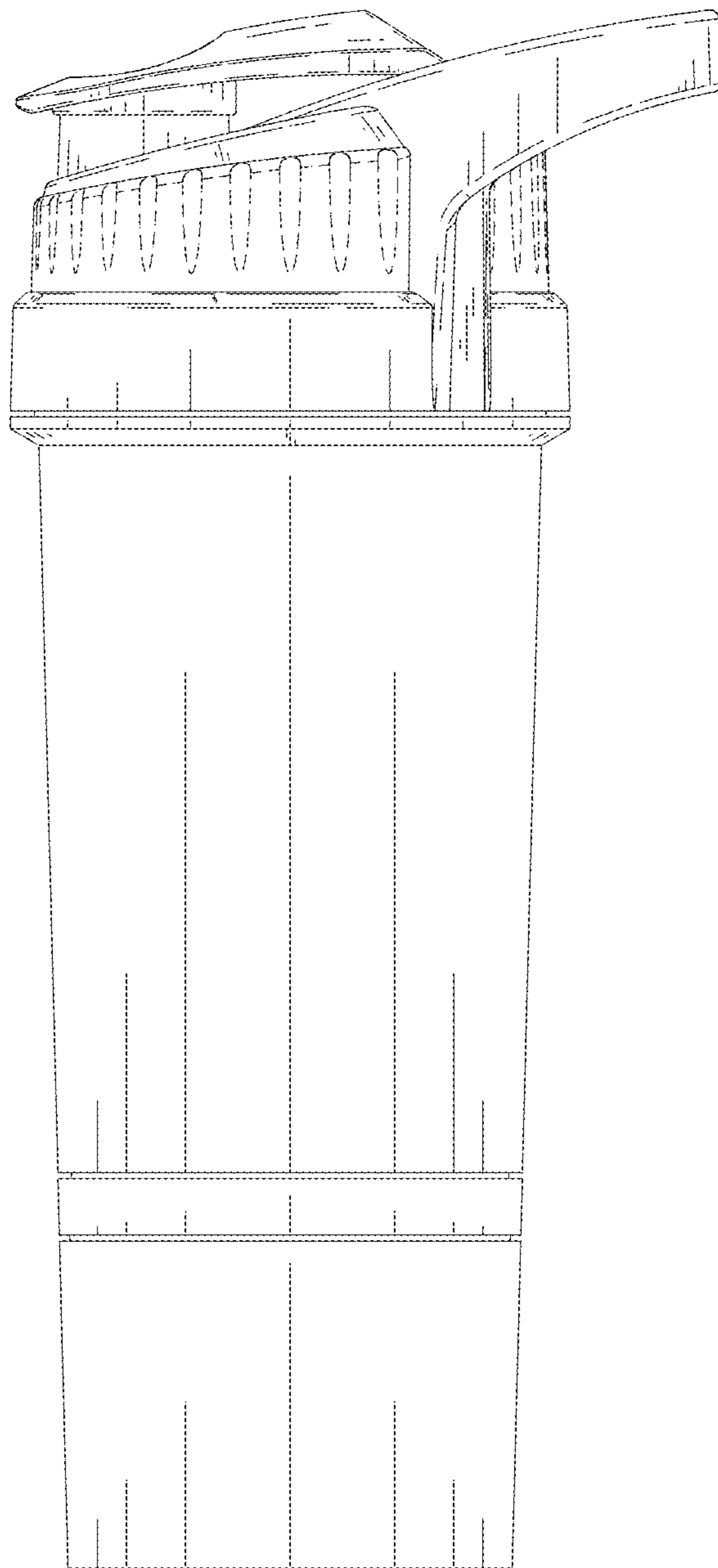
*FIG. 1*



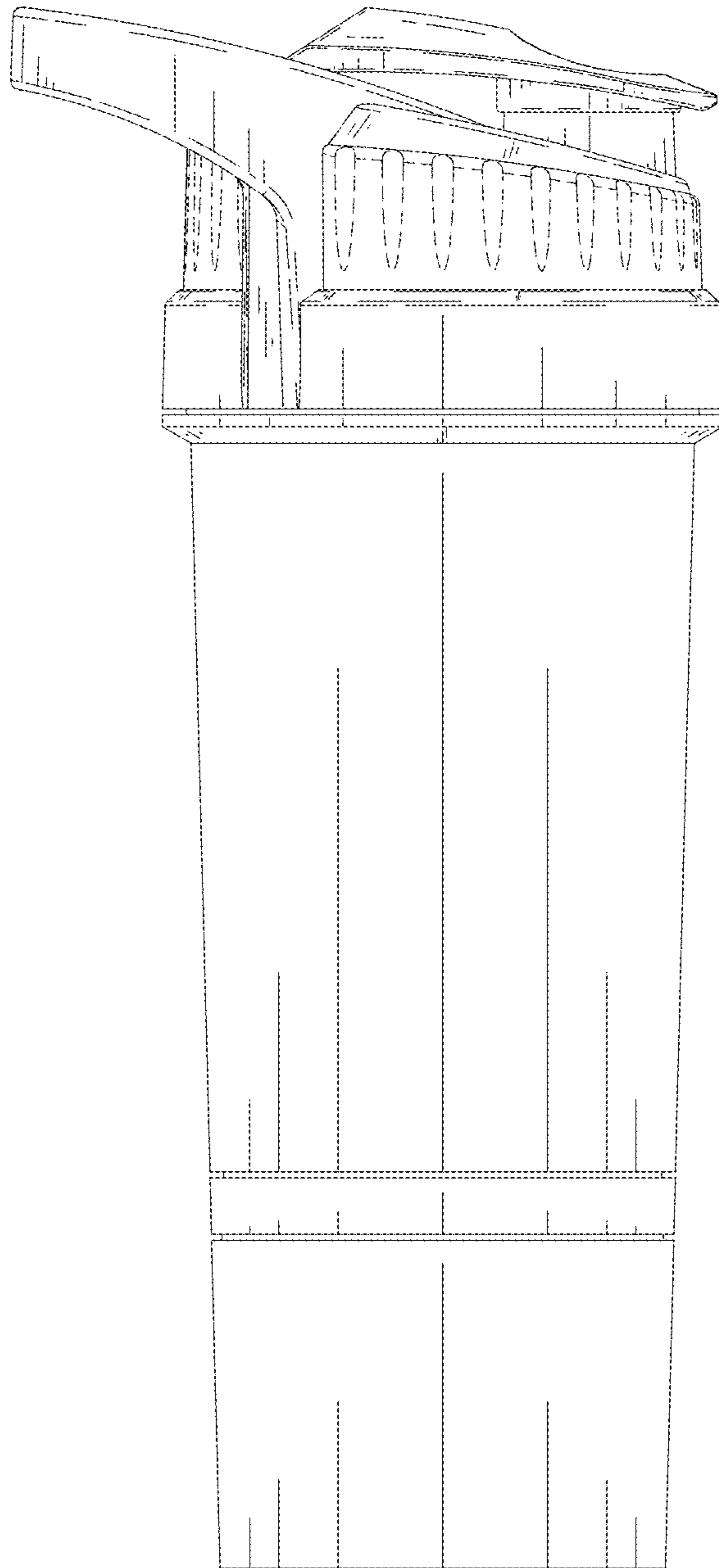
*FIG. 2*



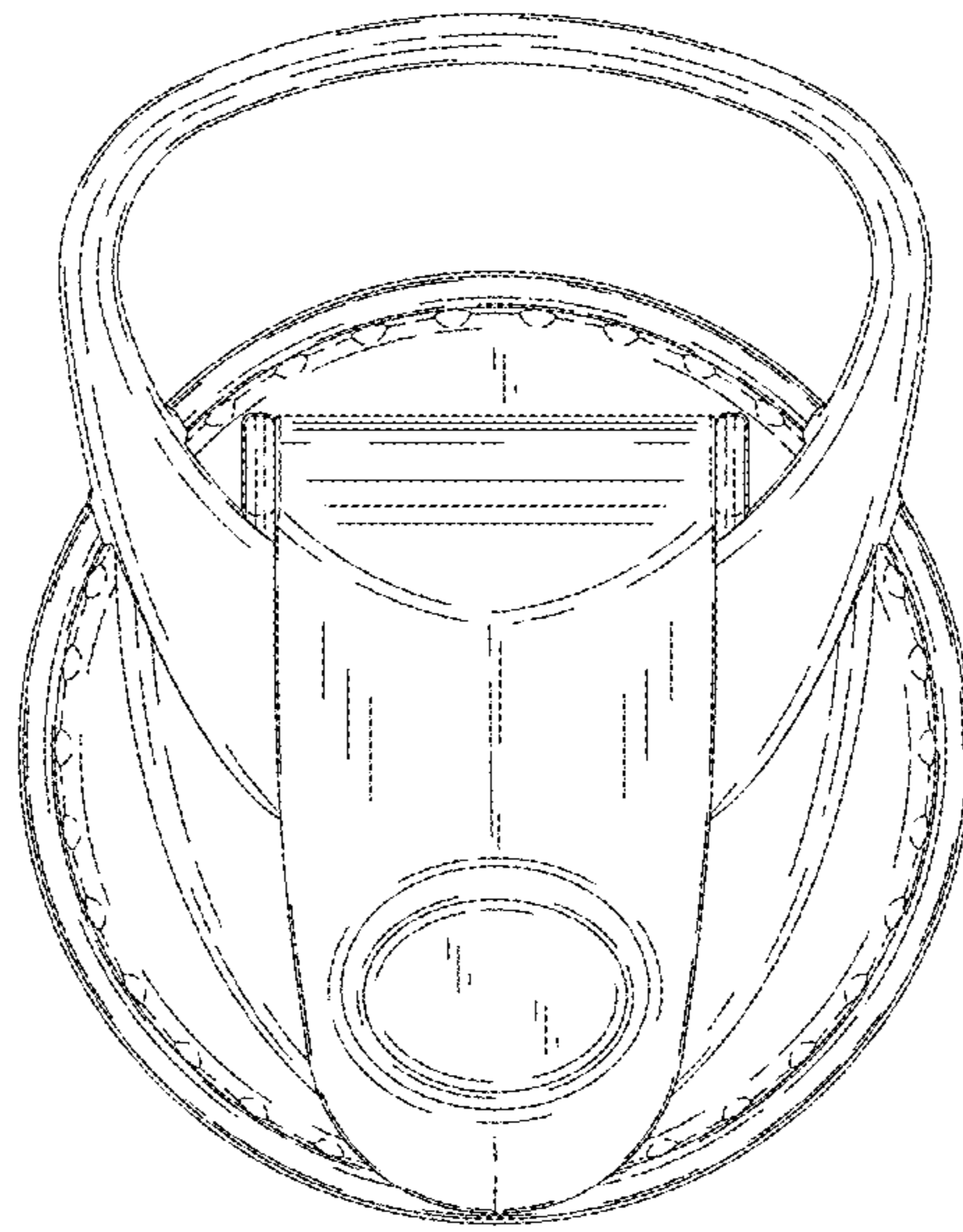
*FIG. 3*



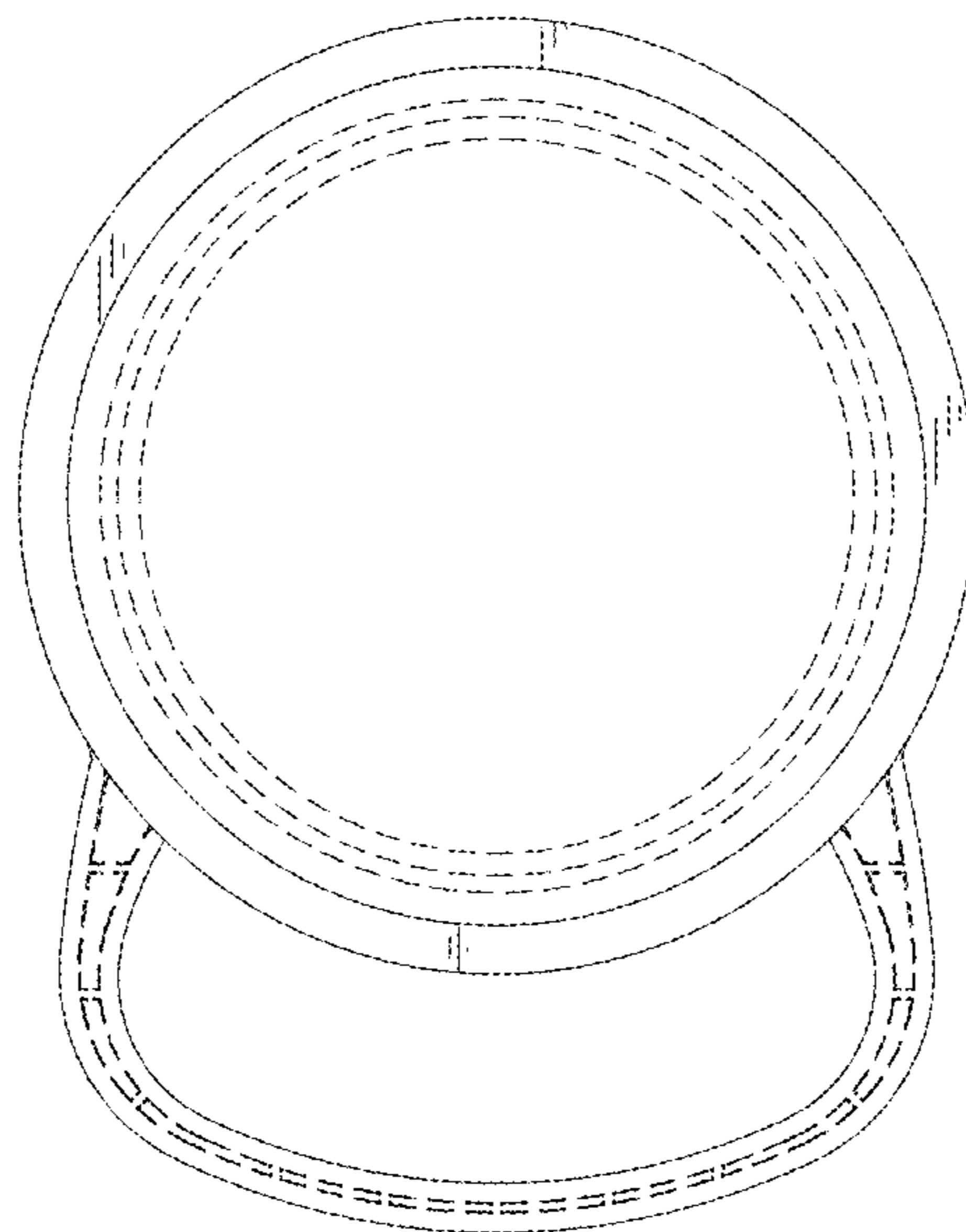
*FIG. 4*



*FIG. 5*



*FIG. 6*



*FIG. 7*