



US00D802364S

(12) **United States Design Patent**
Khachatryan

(10) **Patent No.:** **US D802,364 S**

(45) **Date of Patent:** **** Nov. 14, 2017**

(54) **ROTATING BROILING RACK**

(71) Applicant: **Araik Khachatryan**, Kyiv (UA)

(72) Inventor: **Araik Khachatryan**, Kyiv (UA)

(**) Term: **15 Years**

(21) Appl. No.: **35/500,732**

(22) Filed: **Feb. 11, 2016**

(80) **Hague Agreement Data**

Int. Filing Date: **Feb. 11, 2016**

Int. Reg. No.: **DM/089708**

Int. Reg. Date: **Feb. 11, 2016**

Int. Reg. Pub. Date: **Mar. 18, 2016**

(51) **LOC (10) Cl.** **07-99**

(52) **U.S. Cl.**
USPC **D7/409**

(58) **Field of Classification Search**

USPC D7/402-404, 407-409, 332-337,
D7/362-367; D23/386, 415-419

CPC A47J 37/0713; A47J 37/041; A47J 37/042;
A47J 37/043; F23D 14/10; F23D 14/045;
F23D 2203/1012; F23D 2900/00017;
F24C 3/14; F24C 1/16; F24C 5/20

See application file for complete search history.

(56) **References Cited**

U.S. PATENT DOCUMENTS

D196,696 S * 10/1963 Fitzgerald D23/419
D427,486 S * 7/2000 Bales D7/408

D567,022 S * 4/2008 Spangrud D7/409
D618,506 S * 6/2010 Offredi D7/407
8,540,509 B1 * 9/2013 Cantal F23K 5/007
431/326
2006/0154191 A1 * 7/2006 Gilioli F23D 14/02
431/129
2007/0298361 A1 * 12/2007 Fogliani F23D 14/02
431/354
2008/0081306 A1 * 4/2008 Chung A47J 37/0713
431/326
2017/0055768 A1 * 3/2017 Brown A47J 37/041

* cited by examiner

Primary Examiner — Sheryl Lane

Assistant Examiner — Nicole Shiflet

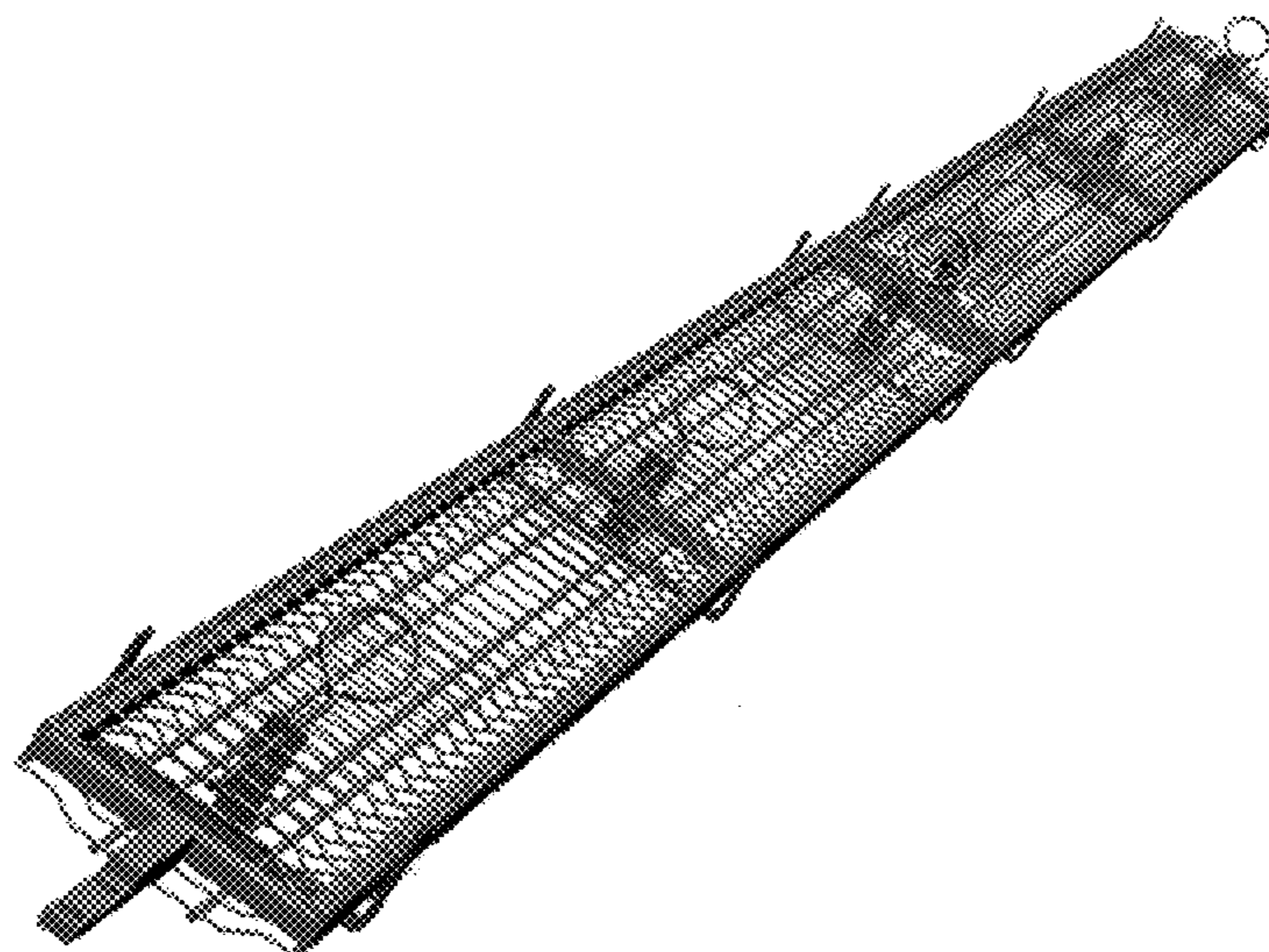
(57) **CLAIM**

The ornamental design for a rotating broiling rack, as shown and described.

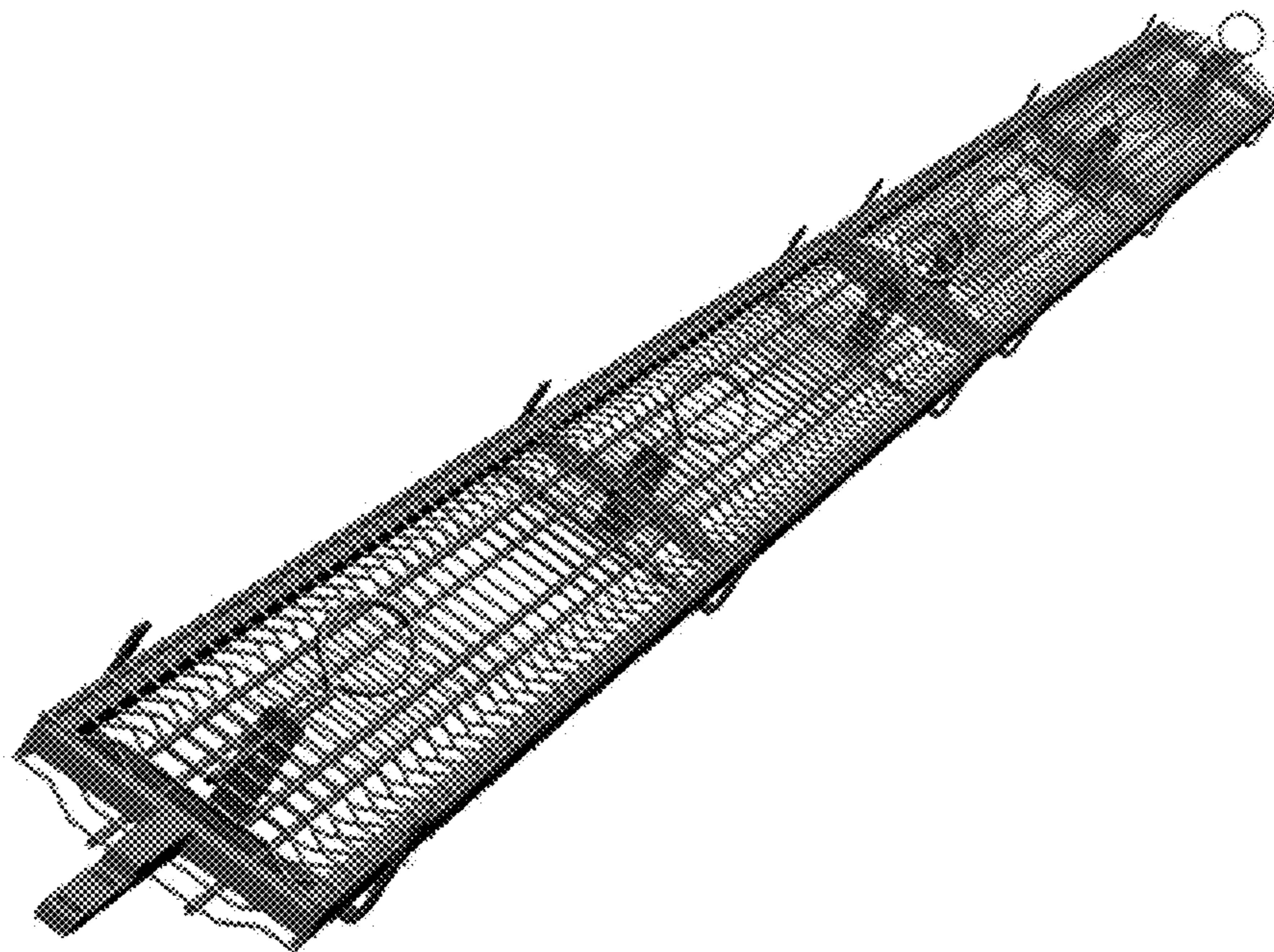
DESCRIPTION

- 1. Rotating broiler rack
- 1.1 is a front perspective view of a rotating broiler rack and its components showing my new design;
- 1.2 is a back perspective view thereof;
- 1.3 is a side perspective view thereof;
- 1.4 is a view of a first component of the rotating broiler rack as shown in 1.1-1.3;
- 1.5 is a view of a second component of the rotating broiler rack as shown in 1.1-1.3;
- 1.6 is a view of a third component of the rotating broiler rack as shown in 1.1-1.3; and
- 1.7 is a view of a fourth component of the rotating broiler rack as shown in 1.1-1.3.

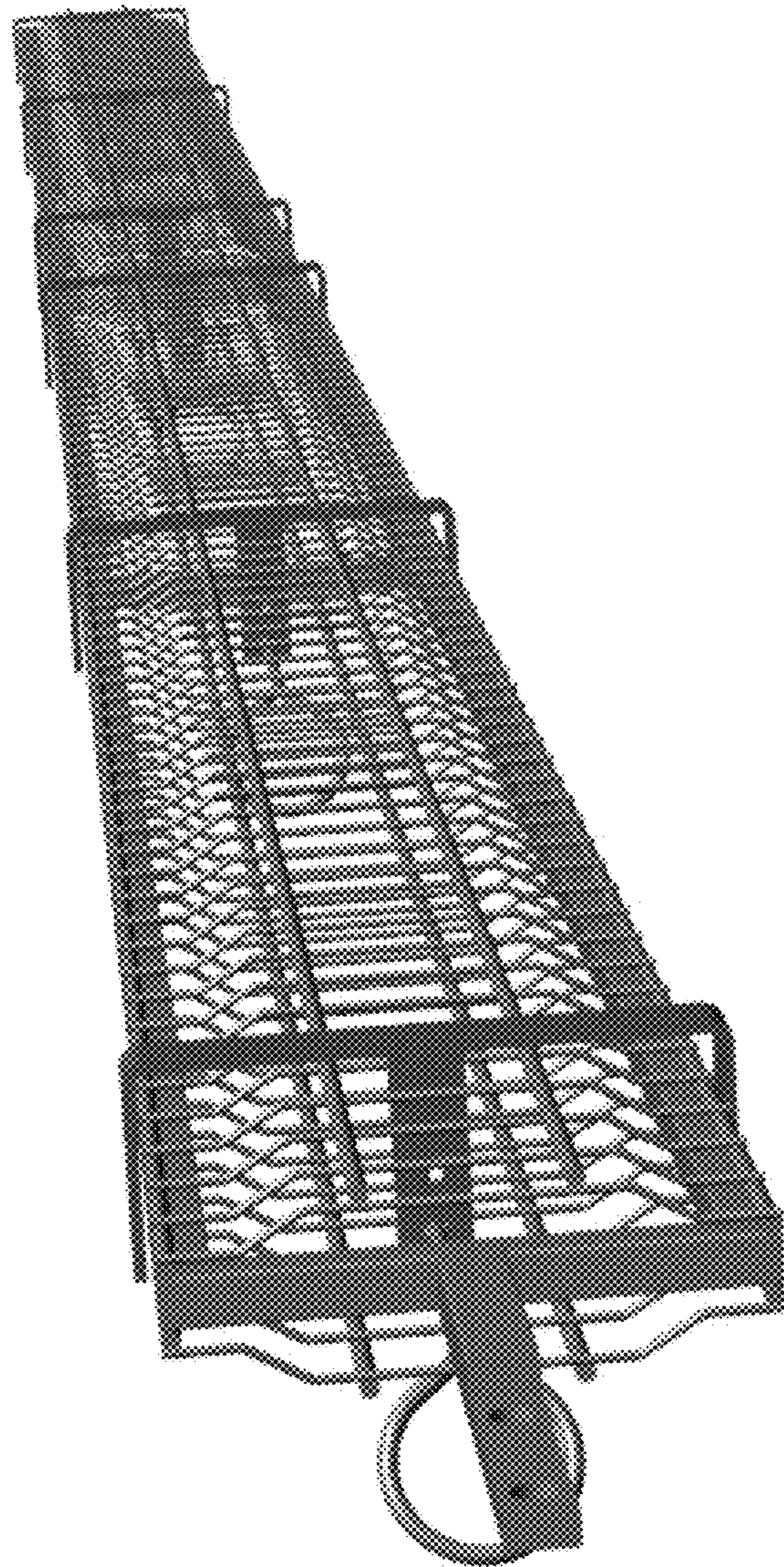
1 Claim, 7 Drawing Sheets



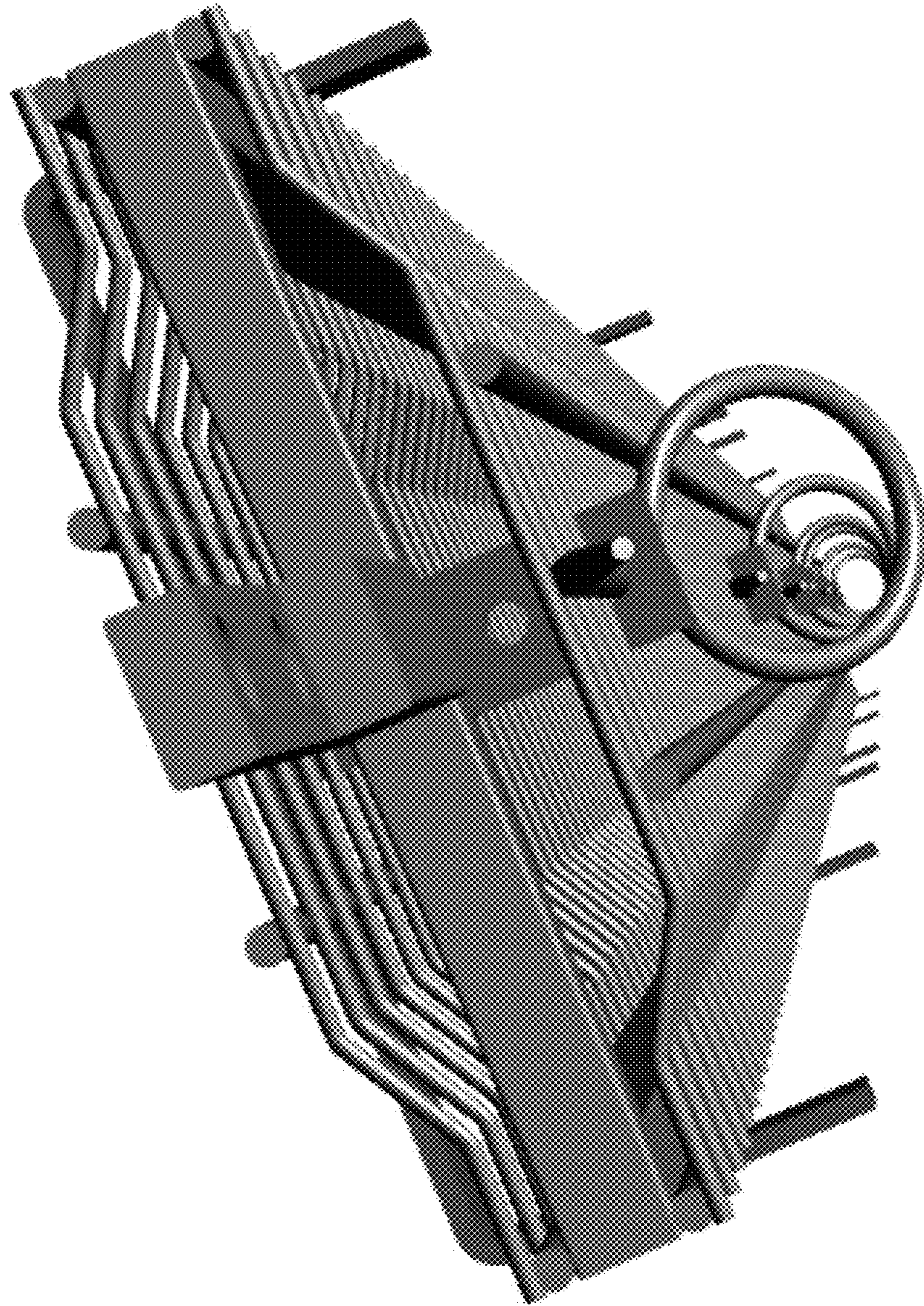
1.1

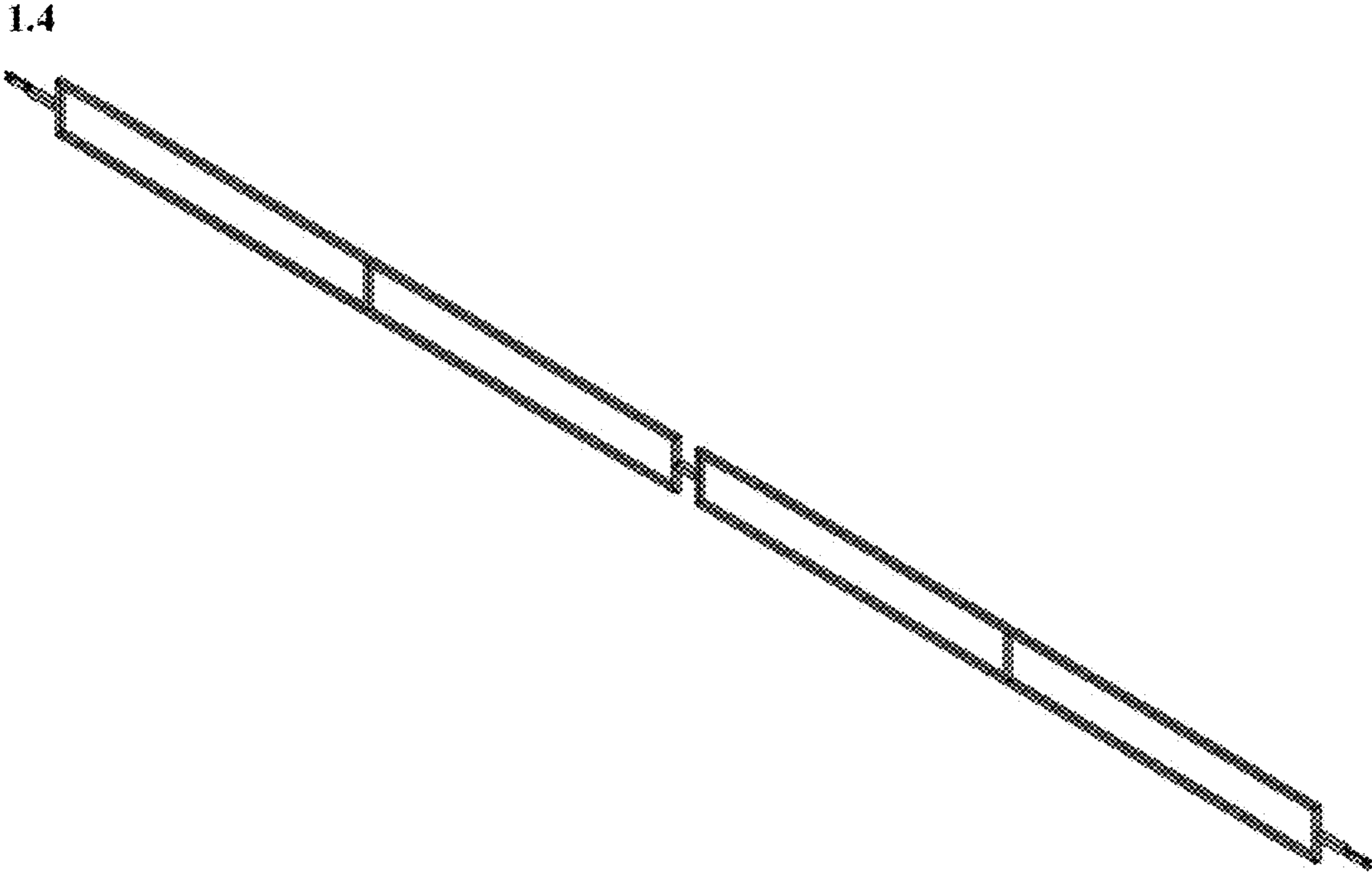


1.2

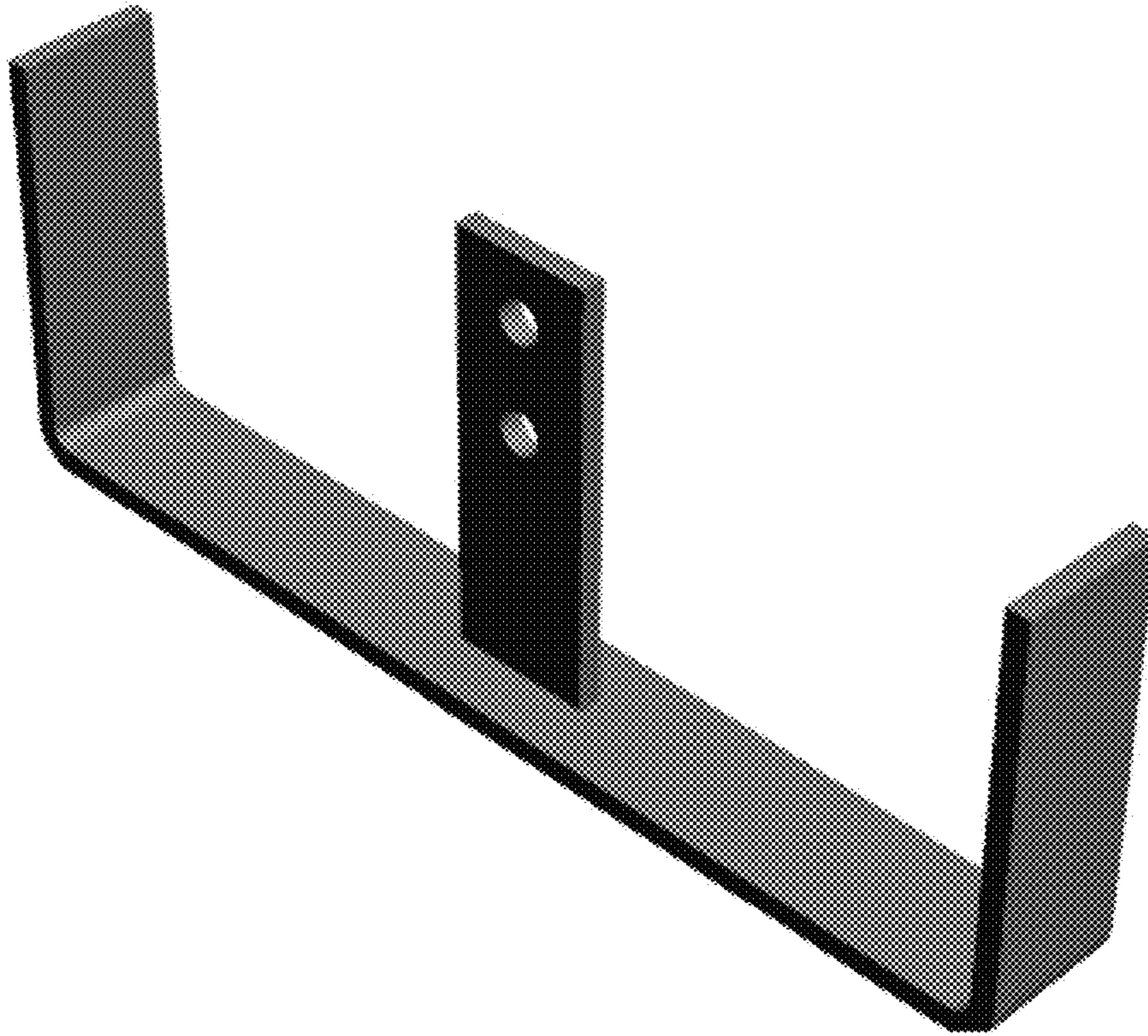


1.3

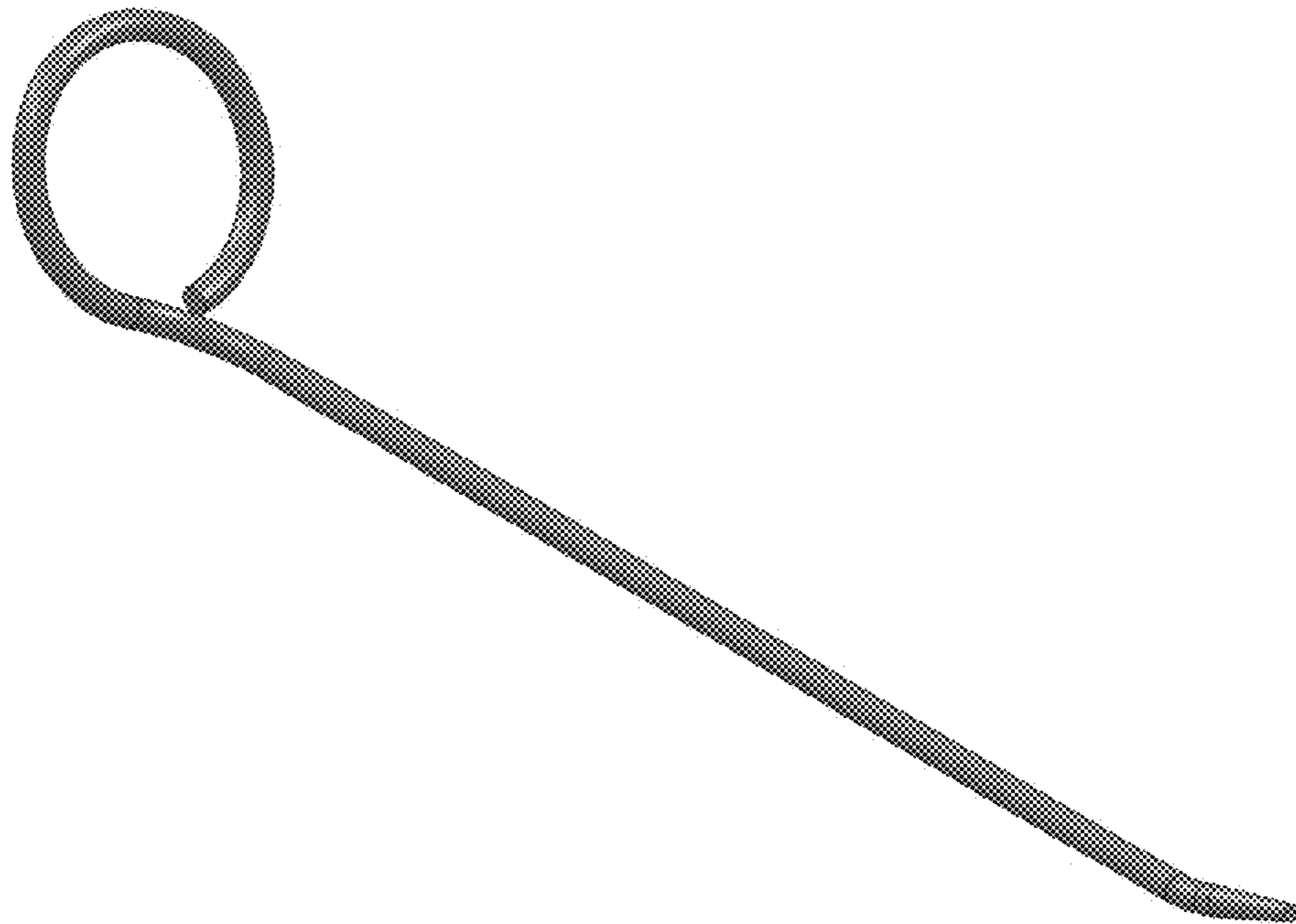




1.5



1.6



1.7

