



US00D802362S

(12) **United States Design Patent**  
**Spivey et al.**

(10) **Patent No.:** **US D802,362 S**

(45) **Date of Patent:** **\*\* Nov. 14, 2017**

(54) **TUMBLER LID**

- (71) Applicant: **Base Brands, LLC**, Atlanta, GA (US)
- (72) Inventors: **Patrick Spivey**, Atlanta, GA (US);  
**Kenneth Krefle**, Atlanta, GA (US)
- (73) Assignee: **Base Brands, LLC**, Atlanta, GA (US)
- (\*\*) Term: **15 Years**
- (21) Appl. No.: **29/551,008**
- (22) Filed: **Jan. 8, 2016**
- (51) **LOC (10) Cl.** ..... **07-99**
- (52) **U.S. Cl.**  
USPC ..... **D7/396.2**
- (58) **Field of Classification Search**  
USPC ..... D7/316, 397, 396.2, 510; D9/434-436,  
D9/438, 439, 440, 443, 447, 449, 450,  
D9/454, 499, 549; D23/260, 269, 390  
(Continued)

(56) **References Cited**

U.S. PATENT DOCUMENTS

- 2,304,214 A \* 12/1942 Straub ..... B65D 47/286  
220/254.9
- 4,040,549 A 8/1977 Sadler  
(Continued)

OTHER PUBLICATIONS

Reduce Everyday. Core Mug 12 oz. Aug. 19, 2014 [earliest online date], [site visited May 19, 2017]. Available from Internet, <URL:https://reduceeveryday.com/products/core-mug-12oz>.\*

*Primary Examiner* — Robert M Spear  
*Assistant Examiner* — Darcey E Heflin

(74) *Attorney, Agent, or Firm* — Park, Vaughan, Fleming & Dowler LLP

(57) **CLAIM**

The ornamental design for a tumbler lid, as shown and described.

**DESCRIPTION**

FIG. 1 is a top perspective view of a first embodiment of my design comprising a tumbler lid illustrated with a fully assembled view;

FIG. 2 is a bottom perspective view the first embodiment illustrated with a fully assembled view;

FIG. 3 is a front view of the first embodiment illustrated with a fully assembled view;

FIG. 4 is a back view of the first embodiment illustrated with a fully assembled view;

FIG. 5 is a top view of the first embodiment; and

FIG. 6 is a bottom view of the first embodiment;

FIG. 7 is a left side view of the first embodiment illustrated with a fully assembled view;

FIG. 8 is a right side view of the first embodiment illustrated with a fully assembled view;

FIG. 9 is an exploded left side view of the first embodiment;

FIG. 10 is an exploded perspective view of the first embodiment;

FIG. 11 is a top perspective view of a second embodiment of my design comprising a tumbler lid illustrated with a fully assembled view;

FIG. 12 is a bottom perspective view the second embodiment illustrated with a fully assembled view;

FIG. 13 is a front view of the second embodiment illustrated with a fully assembled view;

FIG. 14 is a back view of the second embodiment illustrated with a fully assembled view;

FIG. 15 is a top view of the second embodiment illustrated with a fully assembled view; and

FIG. 16 is a bottom view of the second embodiment illustrated with a fully assembled view;

FIG. 17 is a left side view of the second embodiment illustrated with a fully assembled view;

FIG. 18 is a right side view of the second embodiment illustrated with a fully assembled view;

FIG. 19 is an exploded left side view of the second embodiment;

FIG. 20 is an exploded perspective view of the second embodiment;

(Continued)

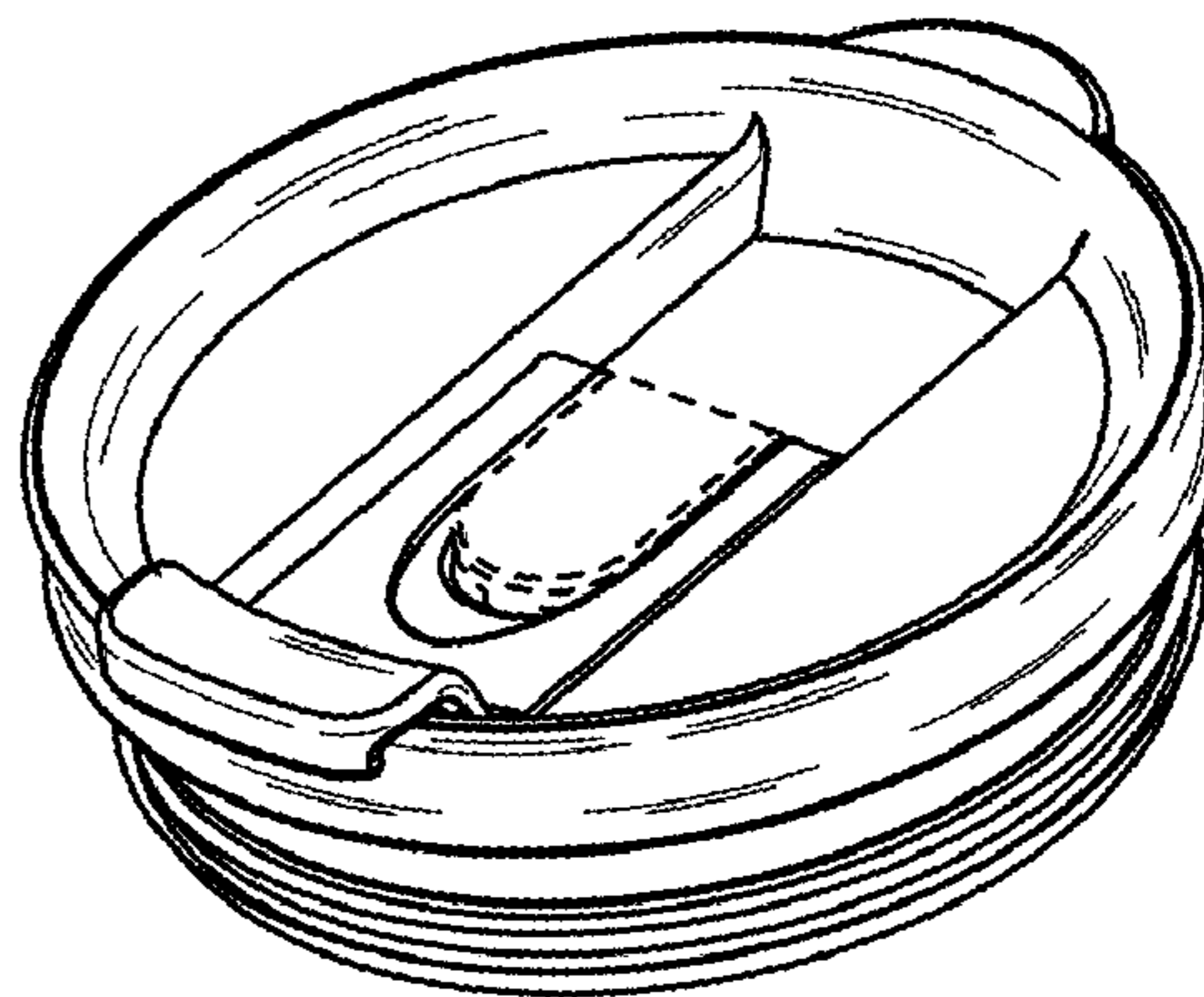
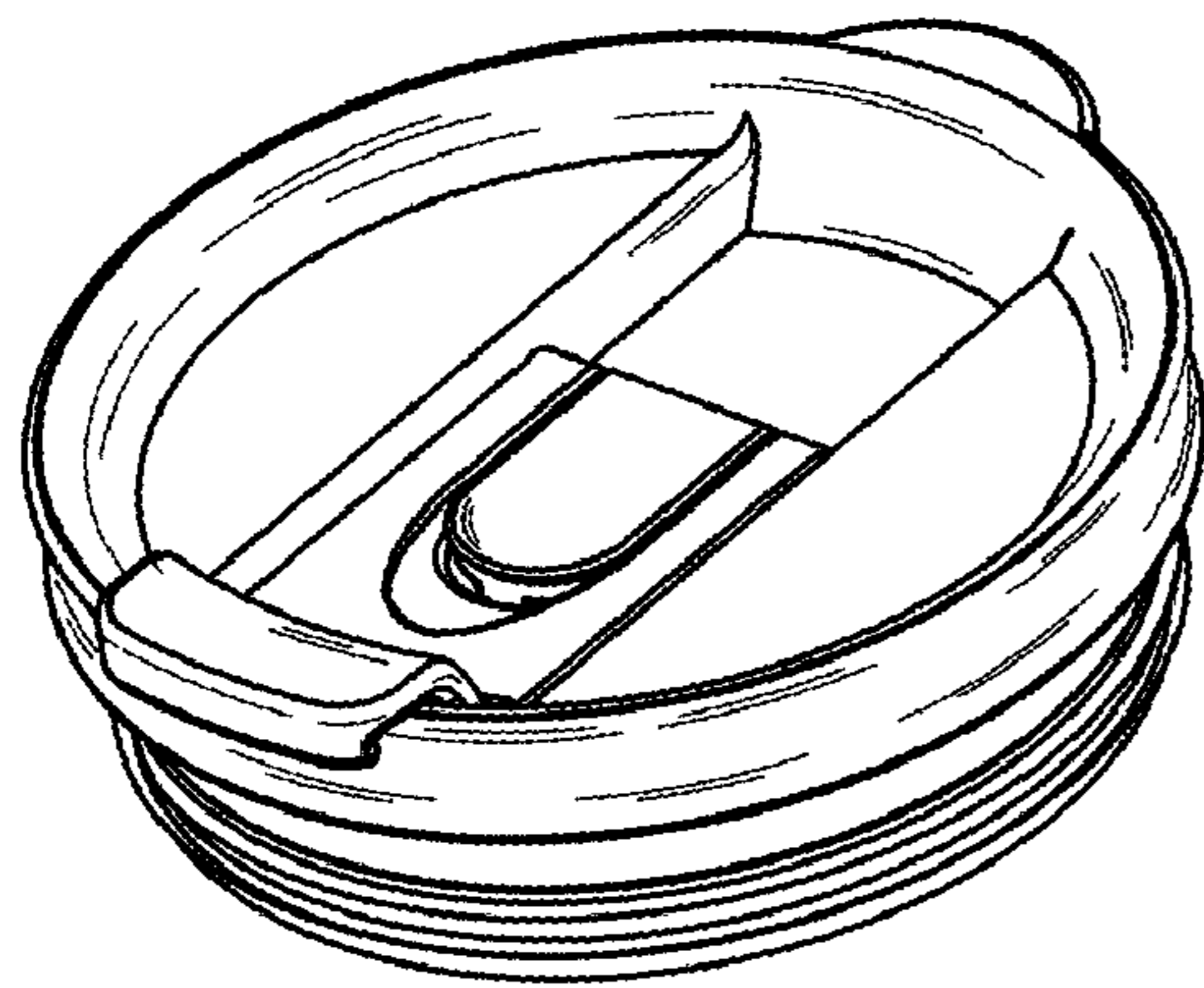


FIG. 21 is a top perspective view of a third embodiment of my design comprising a tumbler lid illustrated with a fully assembled view;  
 FIG. 22 is a bottom perspective view the third embodiment illustrated with a fully assembled view;  
 FIG. 23 is a front view of the third embodiment illustrated with a fully assembled view;  
 FIG. 24 is a back view of the third embodiment illustrated with a fully assembled view;  
 FIG. 25 is a top view of the third embodiment illustrated with a fully assembled view; and  
 FIG. 26 is a bottom view of the third embodiment illustrated with a fully assembled view;  
 FIG. 27 is a left side view of the third embodiment illustrated with a fully assembled view;  
 FIG. 28 is a right side view of the third embodiment illustrated with a fully assembled view;  
 FIG. 29 is an exploded left side view of the third embodiment; and,  
 FIG. 30 is an exploded perspective view of the third embodiment.  
 The dashed lines in FIGS. 11-30 represent environmental structure and form no part of the claimed design. All other surface(s) or portion(s) of my design not shown in the figures or otherwise described in the specification form no part of the claimed design.

**1 Claim, 9 Drawing Sheets**

(58) **Field of Classification Search**  
 CPC .... B65D 39/00; B65D 39/0035; B65D 43/16;  
 B65D 2517/0014; B65D 17/165  
 See application file for complete search history.

(56)

**References Cited**

U.S. PATENT DOCUMENTS

D295,831	S	*	5/1988	Urion .....	D9/438
5,294,014	A		3/1994	Wyatt	
5,653,124	A		8/1997	Weber	
D386,948	S		12/1997	Wissinger	
D398,187	S		9/1998	Parker	
6,098,834	A		8/2000	Hatsumoto	
D481,591	S		11/2003	Lin	
D493,068	S		7/2004	Slater	
D539,609	S		4/2007	Ying	
D565,901	S		4/2008	Edelstein	
D577,548	S		9/2008	Homma	
D584,106	S	*	1/2009	Wong .....	D7/396.2
D589,747	S	*	4/2009	Wong .....	D7/396.1
D591,103	S	*	4/2009	Wong .....	D7/396.1
D600,071	S		9/2009	Carreno	
D600,073	S		9/2009	Carreno	
D625,951	S	*	10/2010	Baek .....	D7/396.2
D688,092	S		8/2013	Arnold	
D691,416	S	*	10/2013	Eyal .....	D7/396.2
D696,940	S	*	1/2014	Hale .....	D9/447
D713,686	S		9/2014	Eyal	
D715,100	S	*	10/2014	Eyal .....	D7/510
D719,023	S	*	12/2014	Hu .....	D9/449
8,899,440	B2		12/2014	Arnold	
D721,535	S	*	1/2015	Chapman .....	D7/396.2
D731,251	S	*	6/2015	Lane .....	D7/523
D747,199	S	*	1/2016	Phillips .....	D9/438
D747,649	S	*	1/2016	Phillips .....	D9/438
D751,338	S	*	3/2016	Seiders .....	D7/396.2
D751,339	S	*	3/2016	Seiders .....	D7/396.2
D751,340	S	*	3/2016	Seiders .....	D7/396.2
D751,341	S	*	3/2016	Seiders .....	D7/396.2
2010/0200602	A1	*	8/2010	Chan .....	A47G 19/2272 220/714

\* cited by examiner

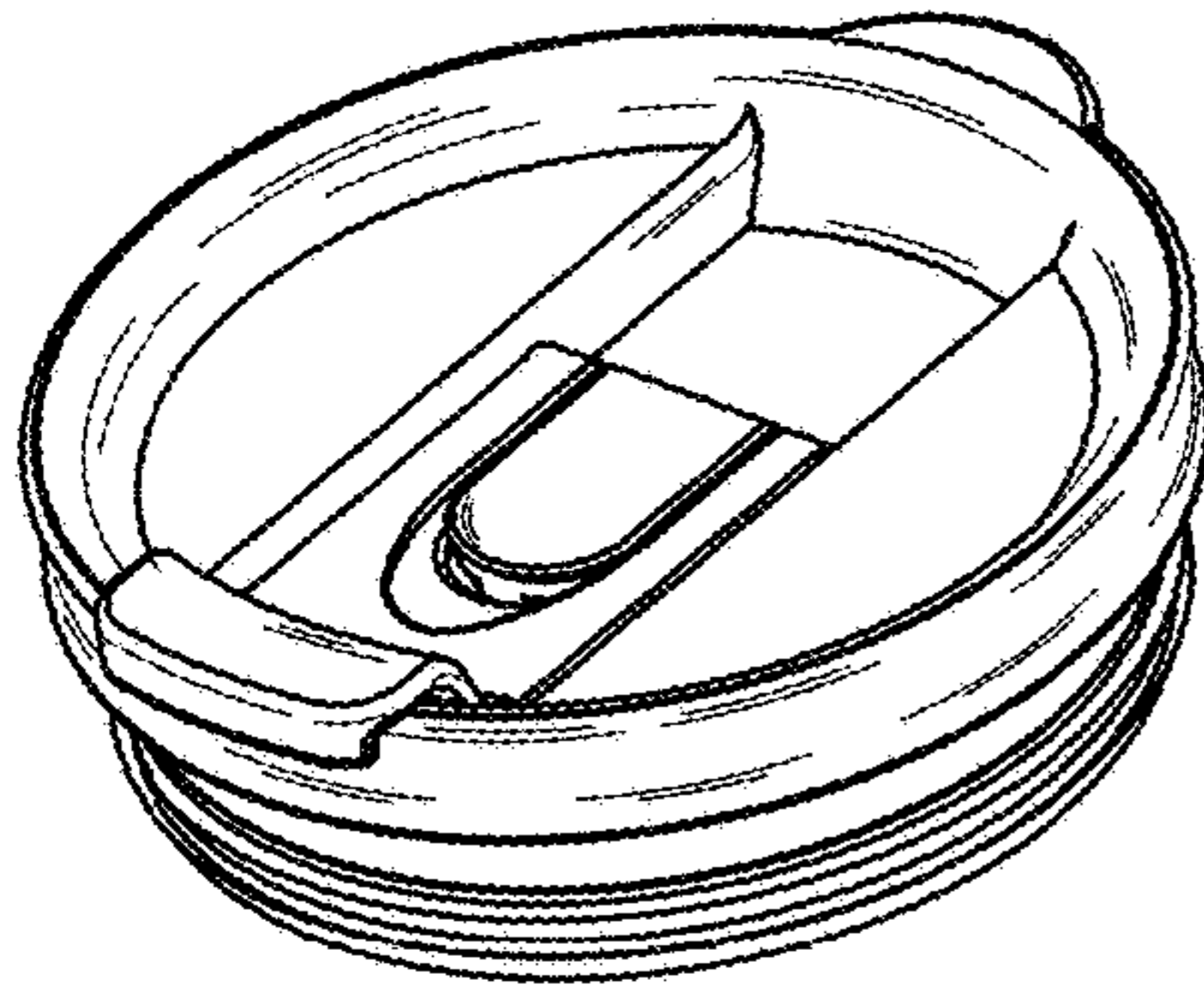


FIG. 1

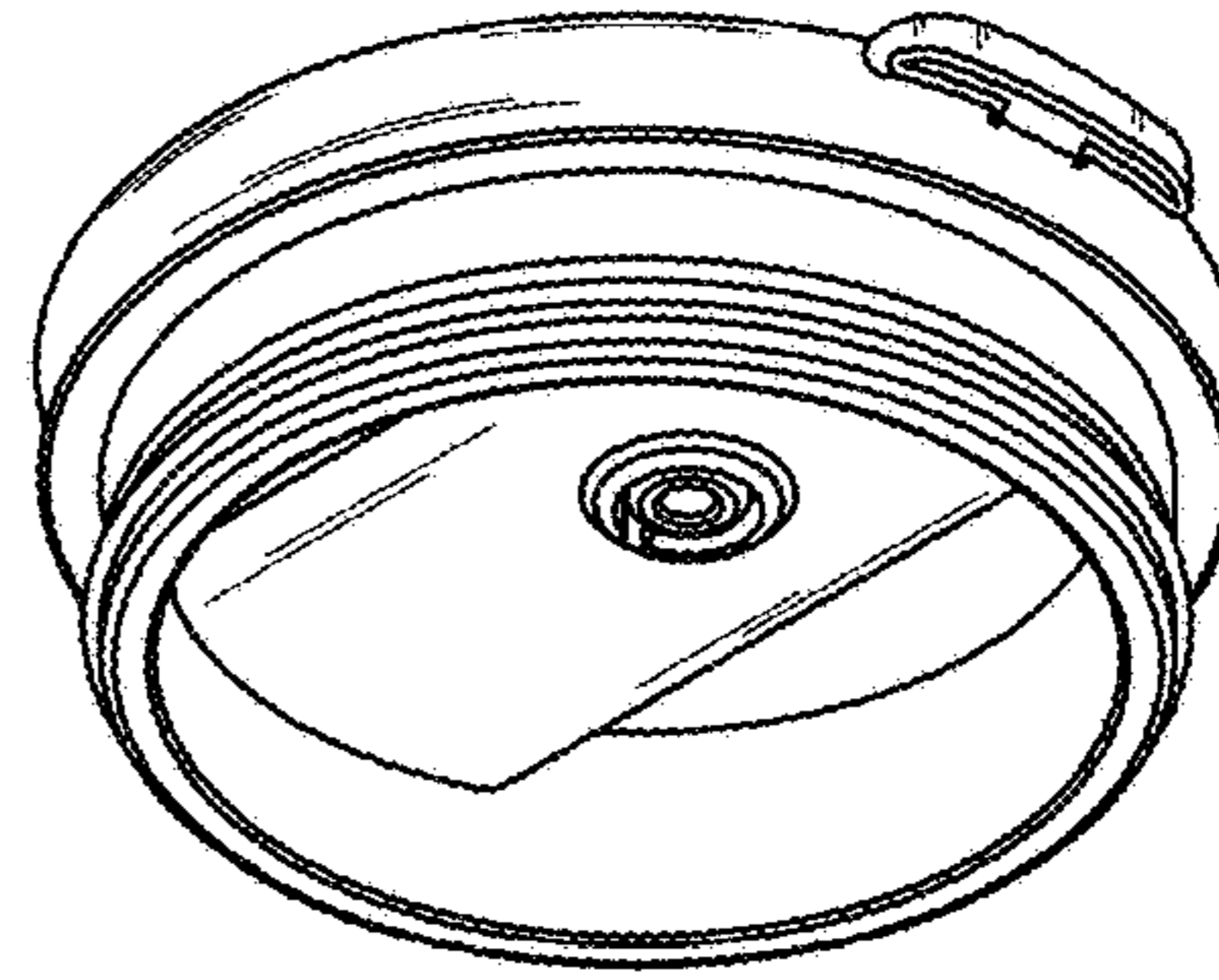


FIG. 2

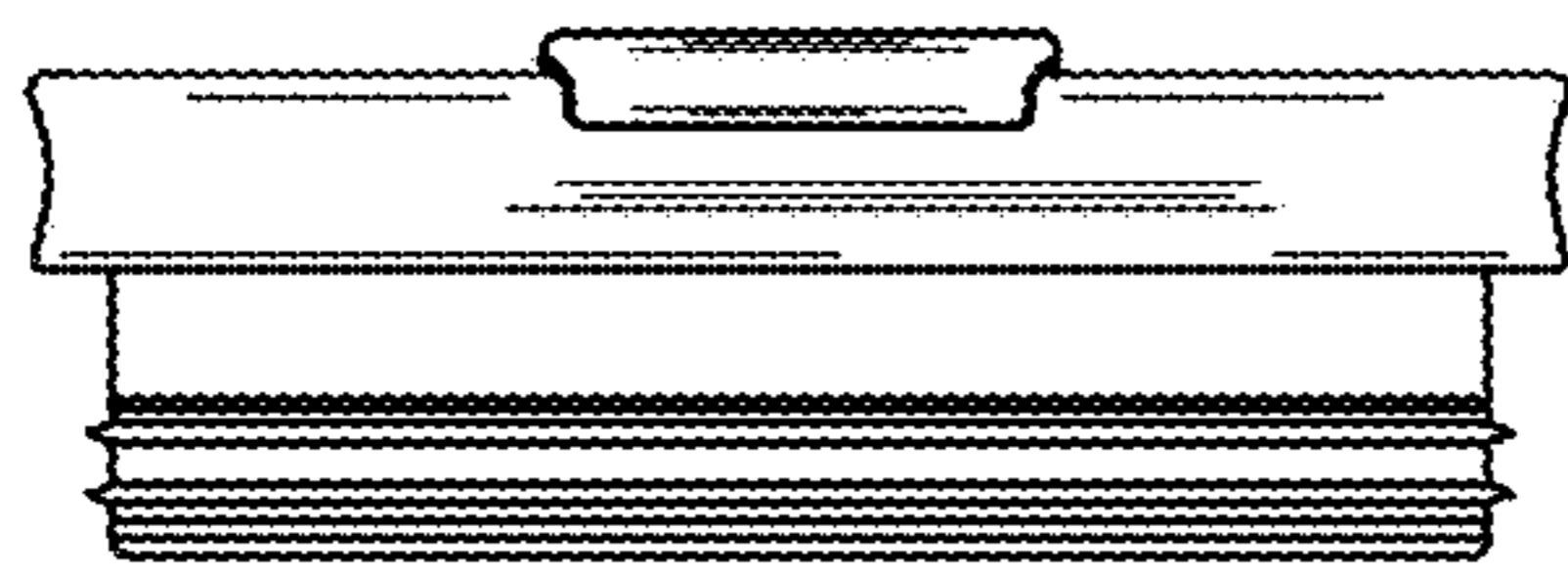


FIG. 3

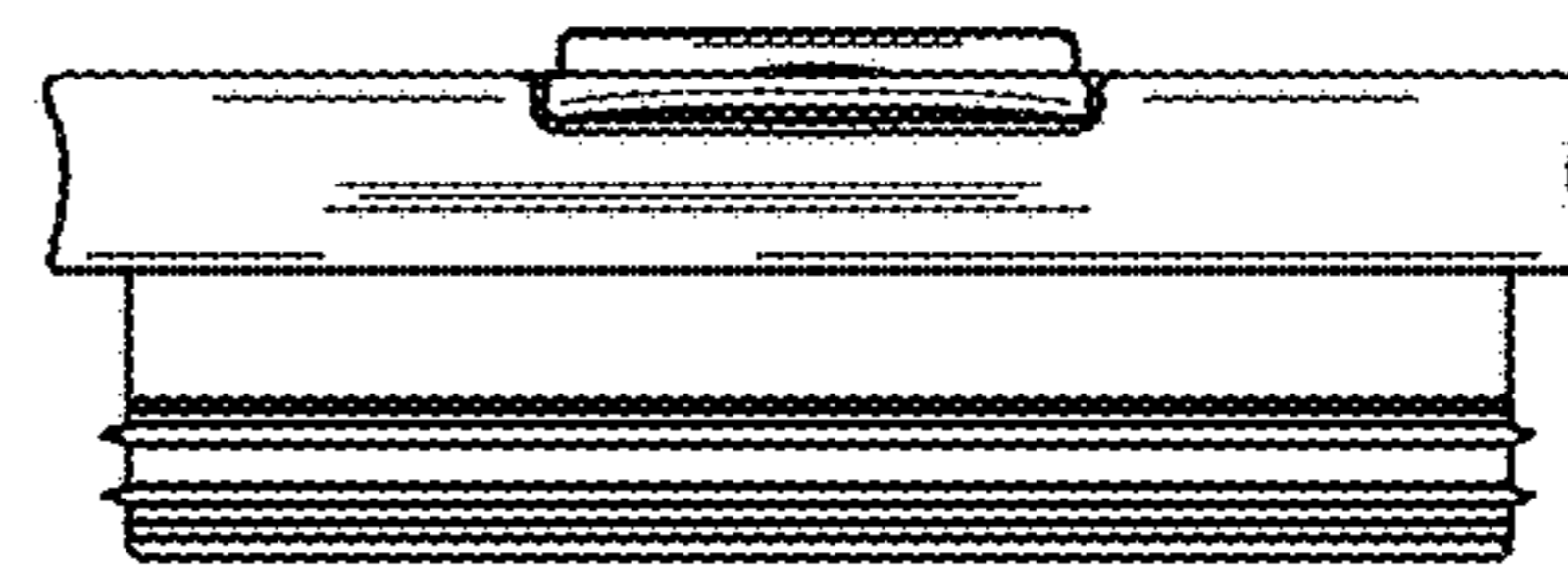
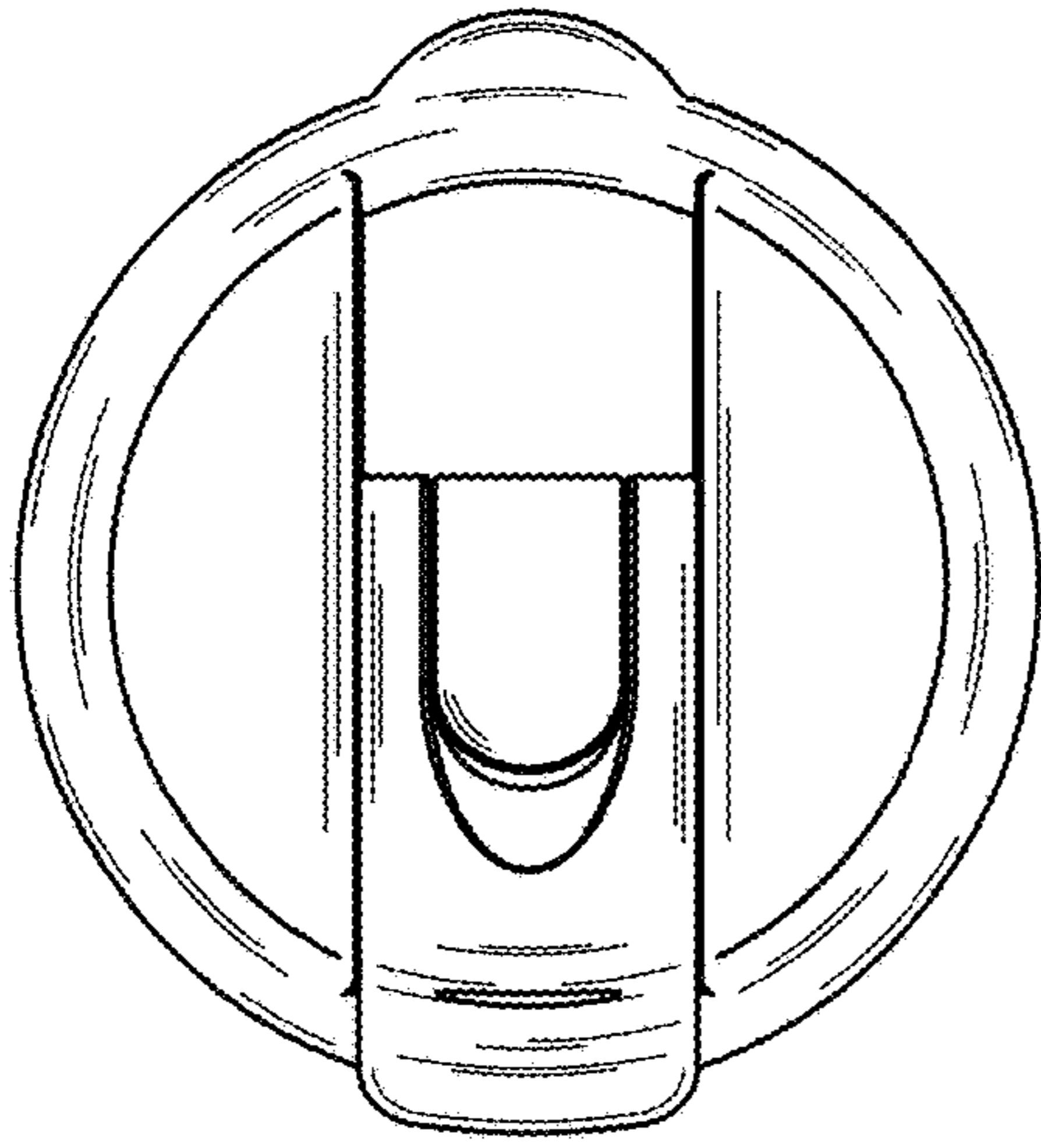
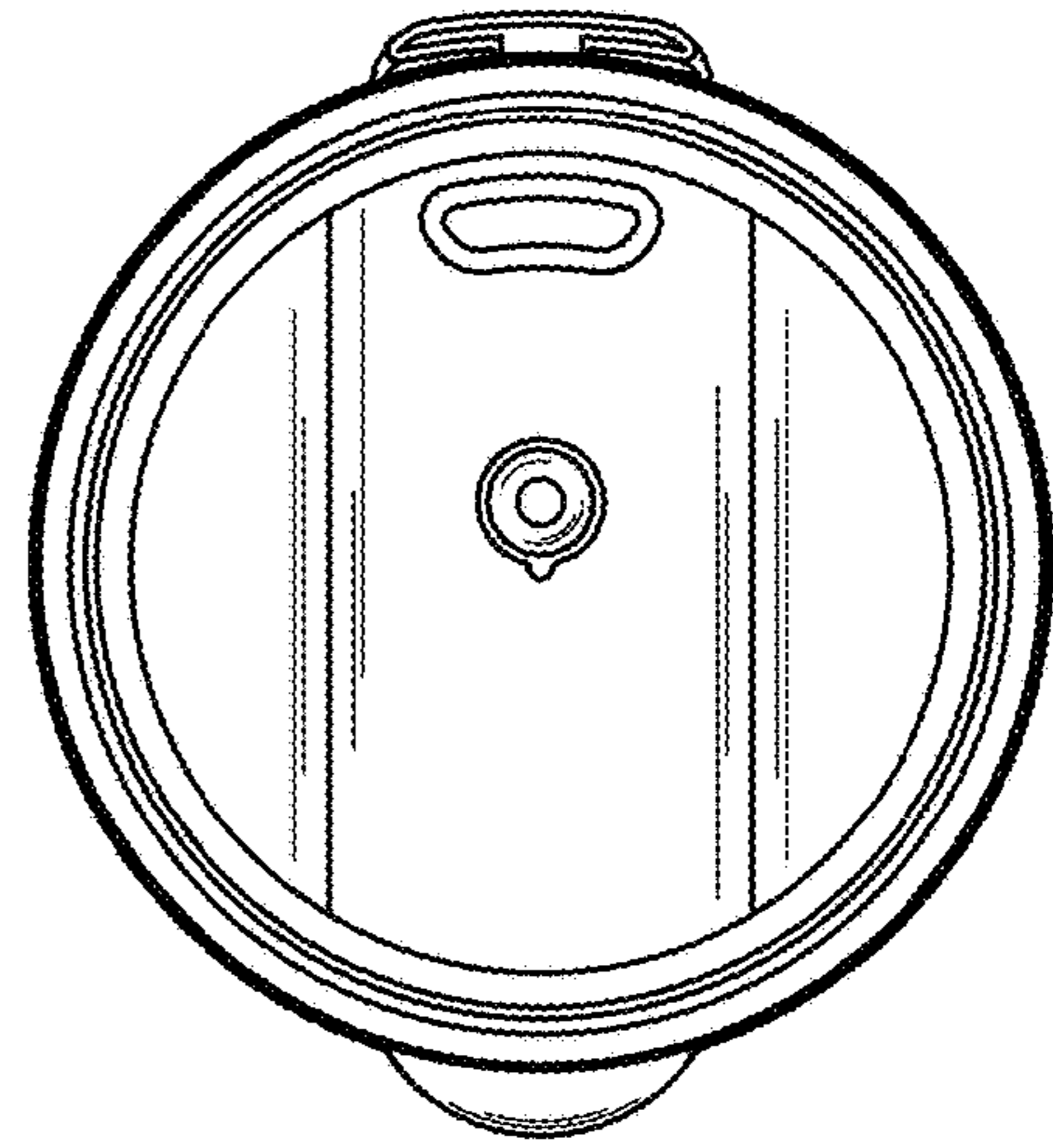


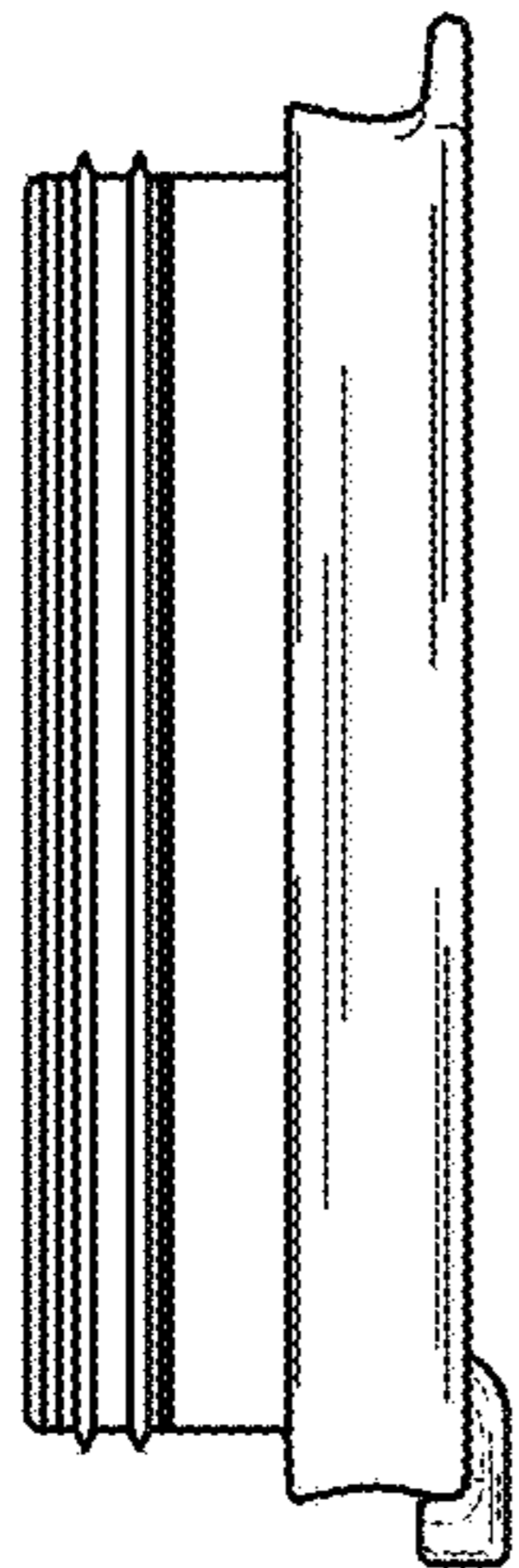
FIG. 4



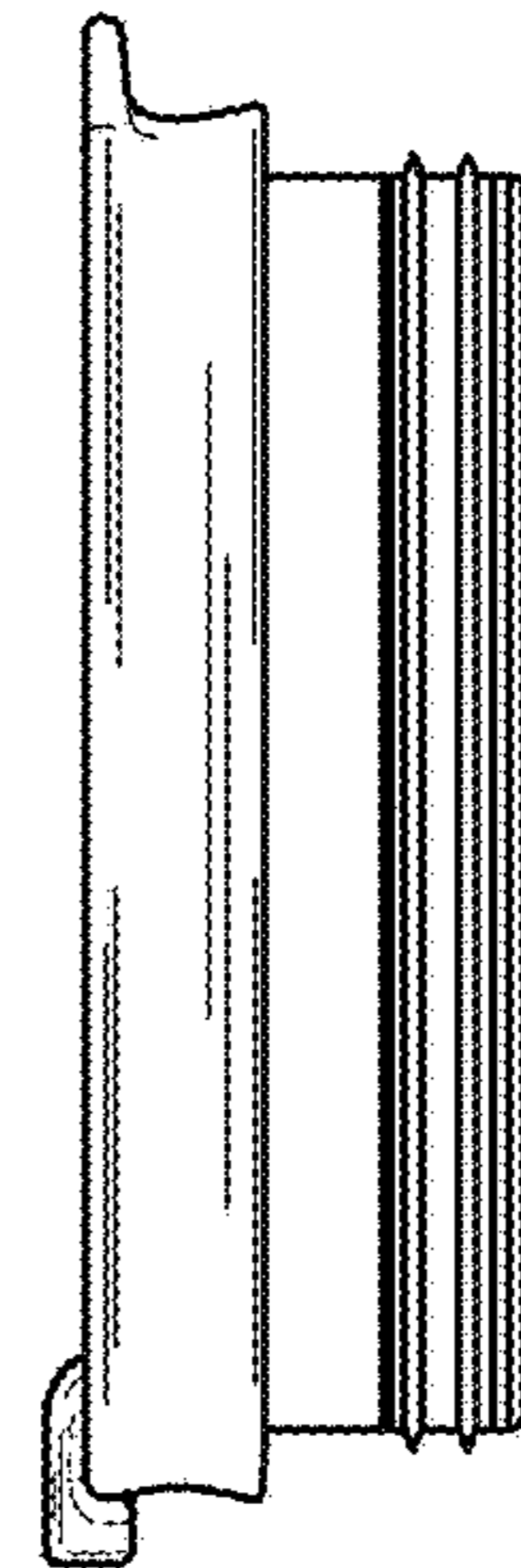
**FIG. 5**



**FIG. 6**



**FIG. 7**



**FIG. 8**

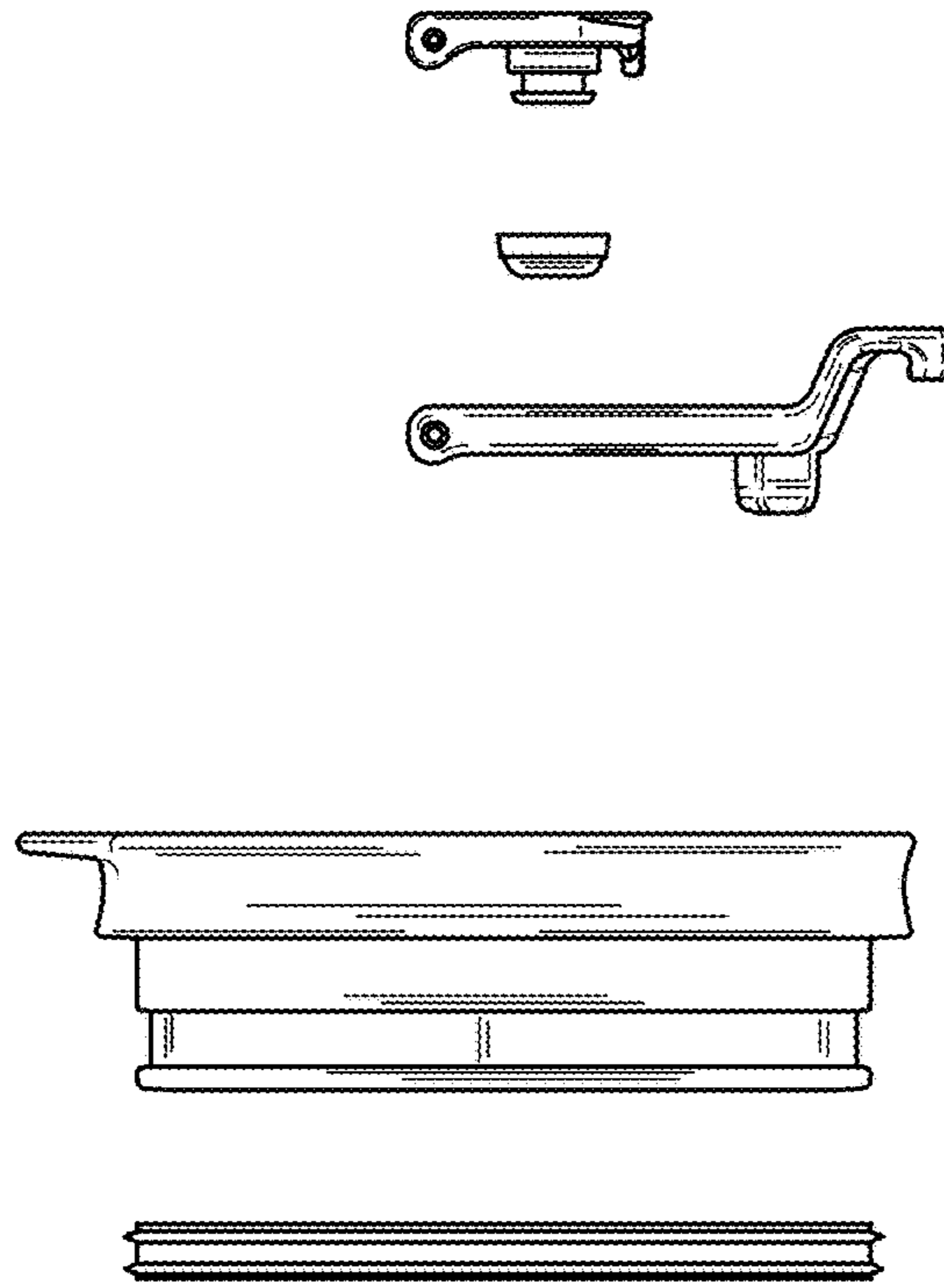


FIG. 9

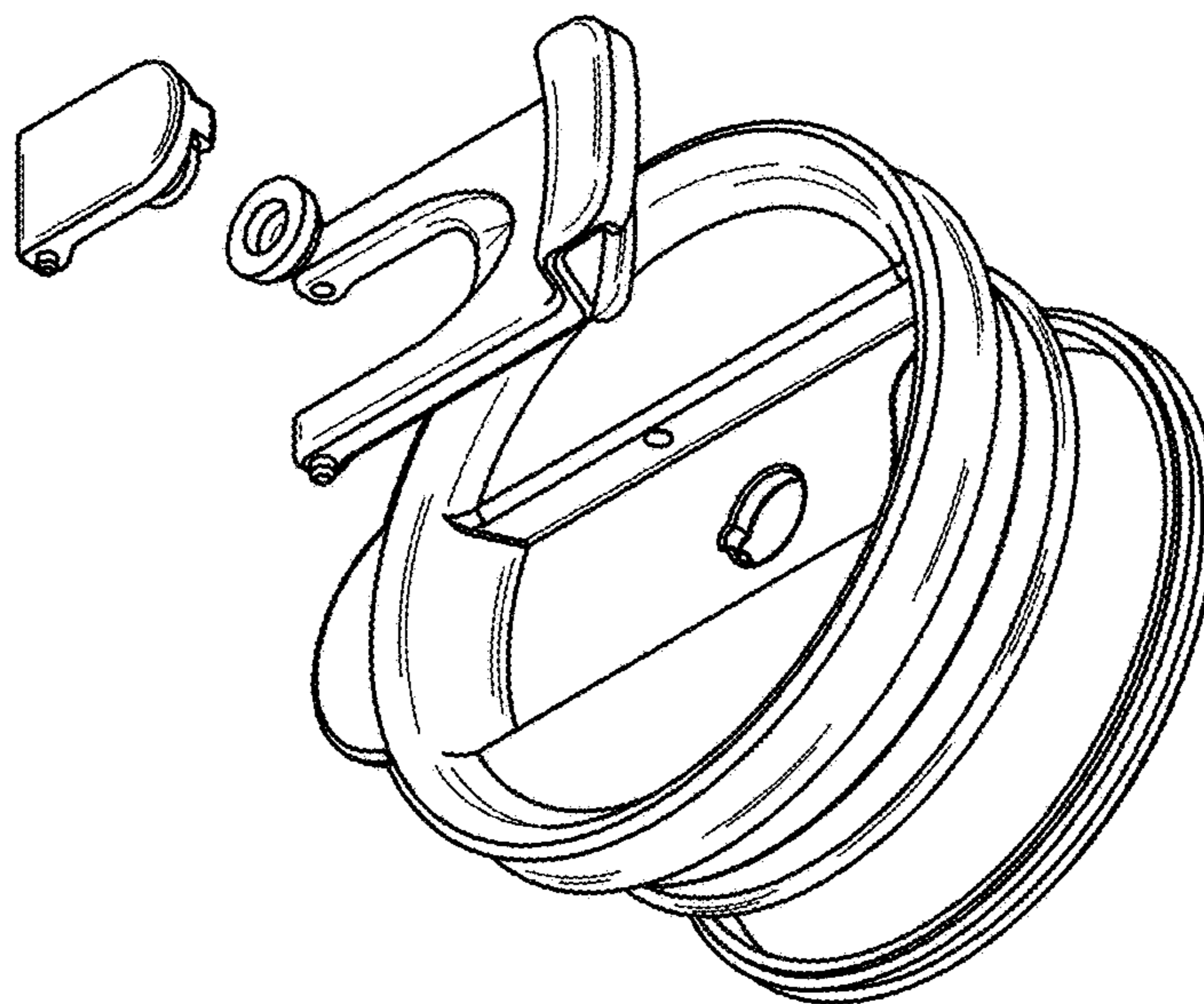


FIG. 10

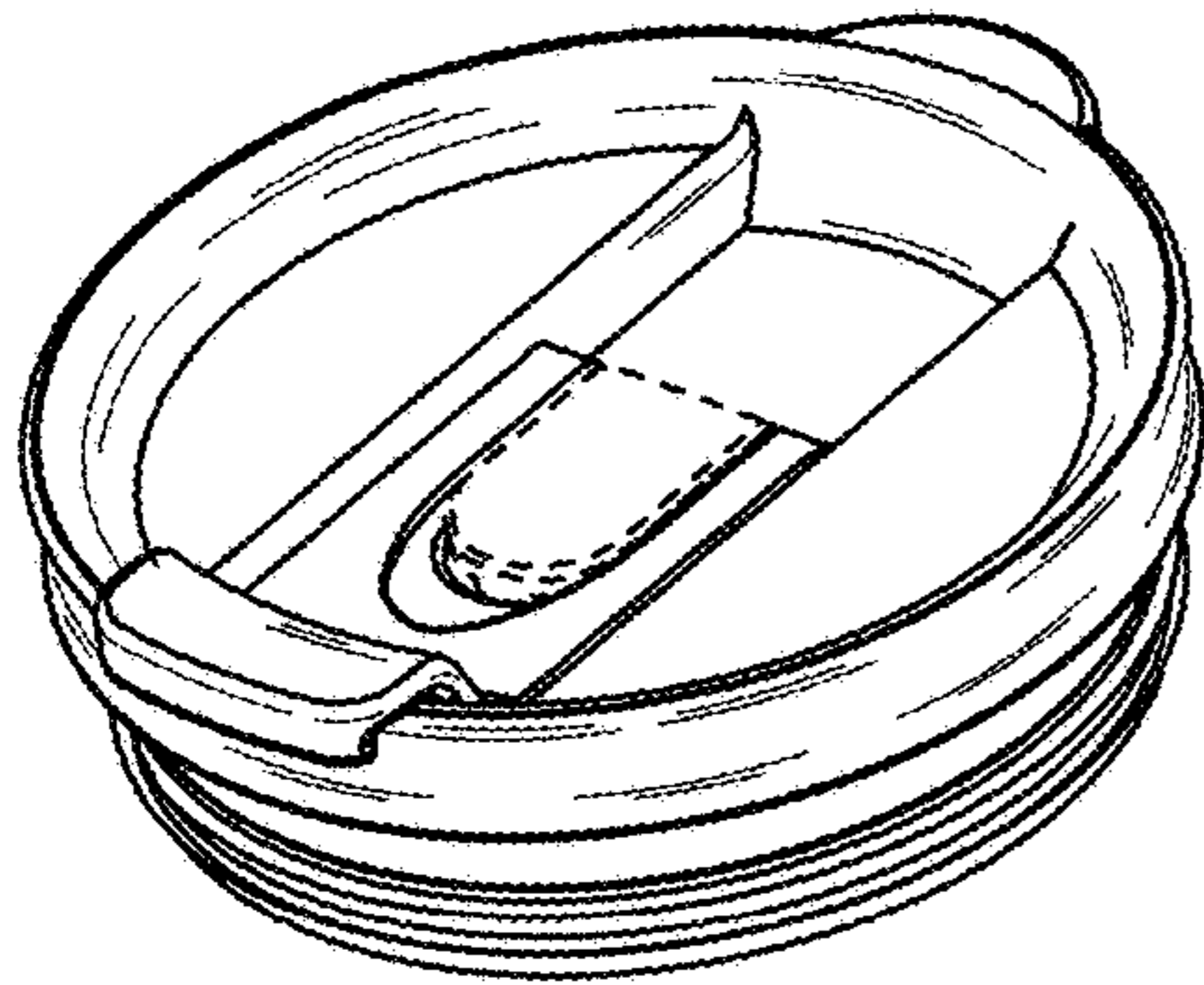


FIG. 11

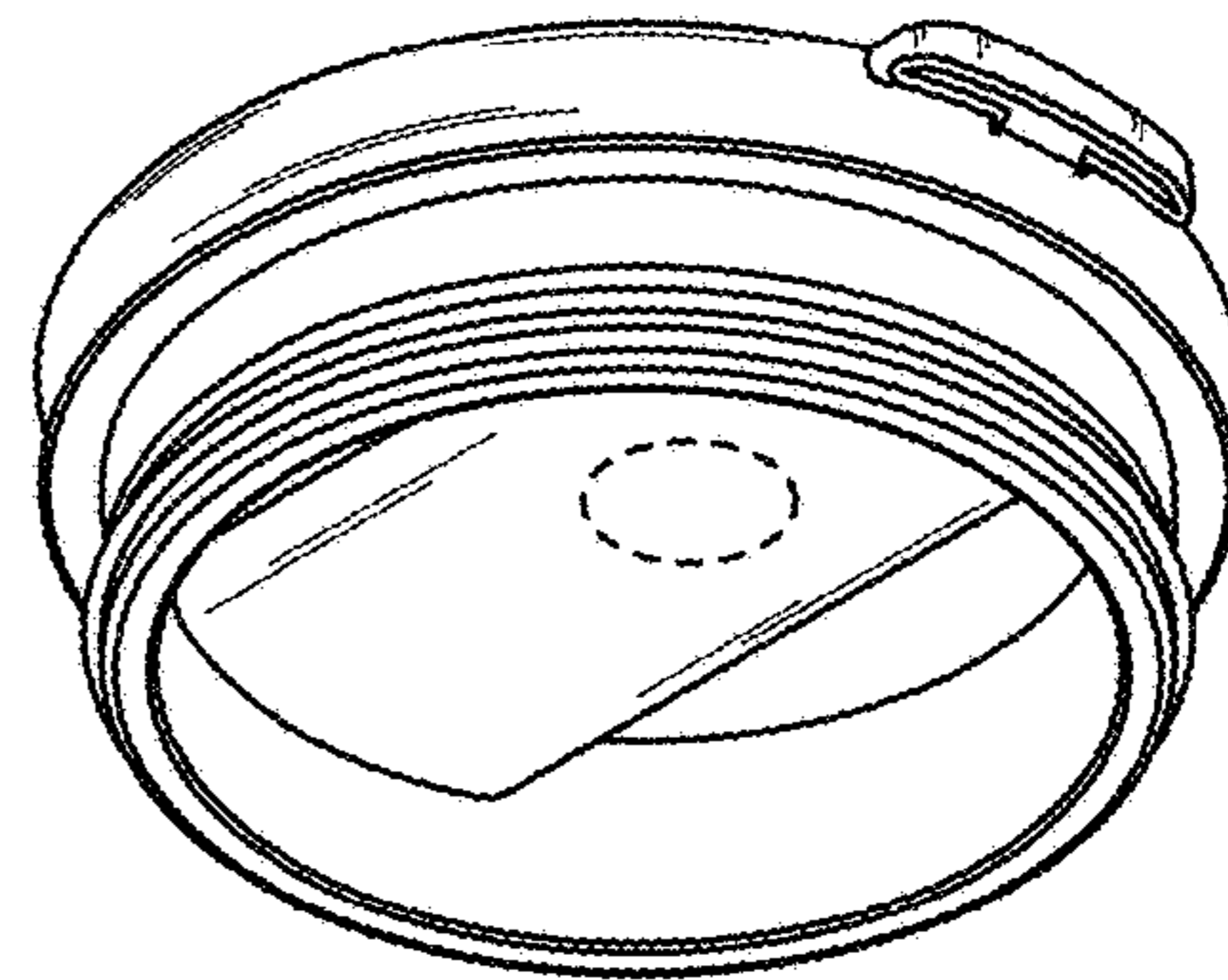


FIG. 12

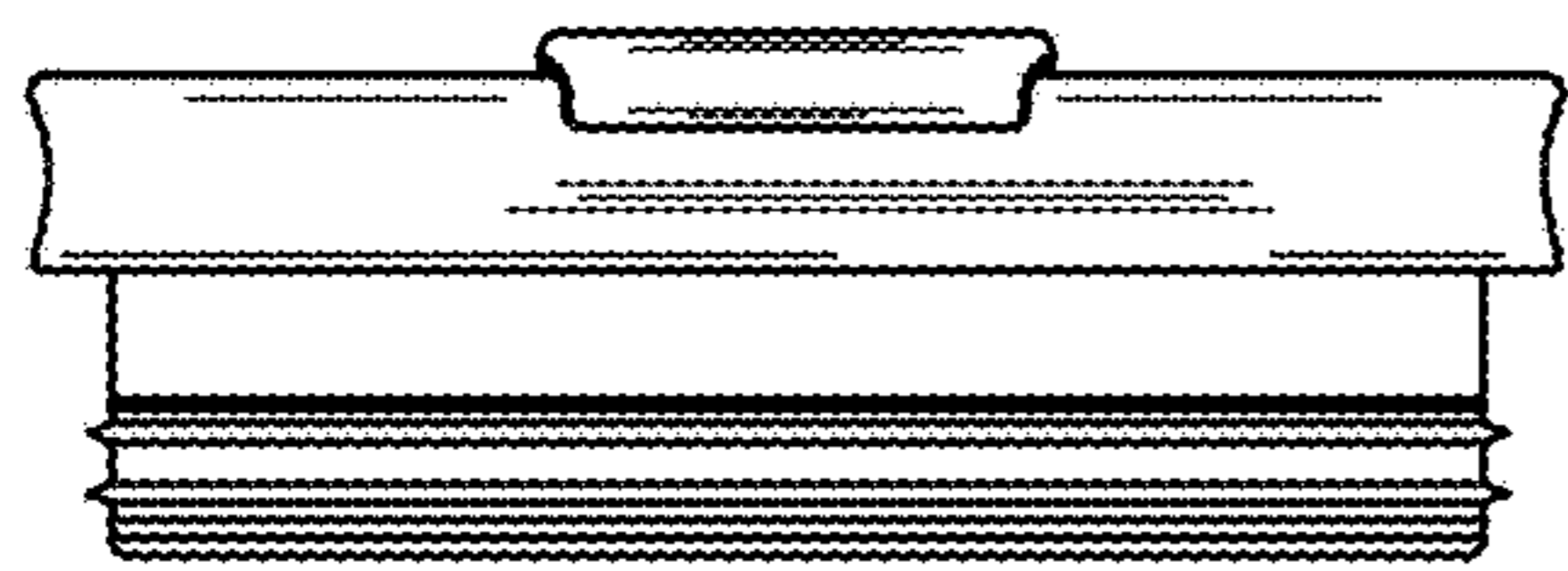


FIG. 13

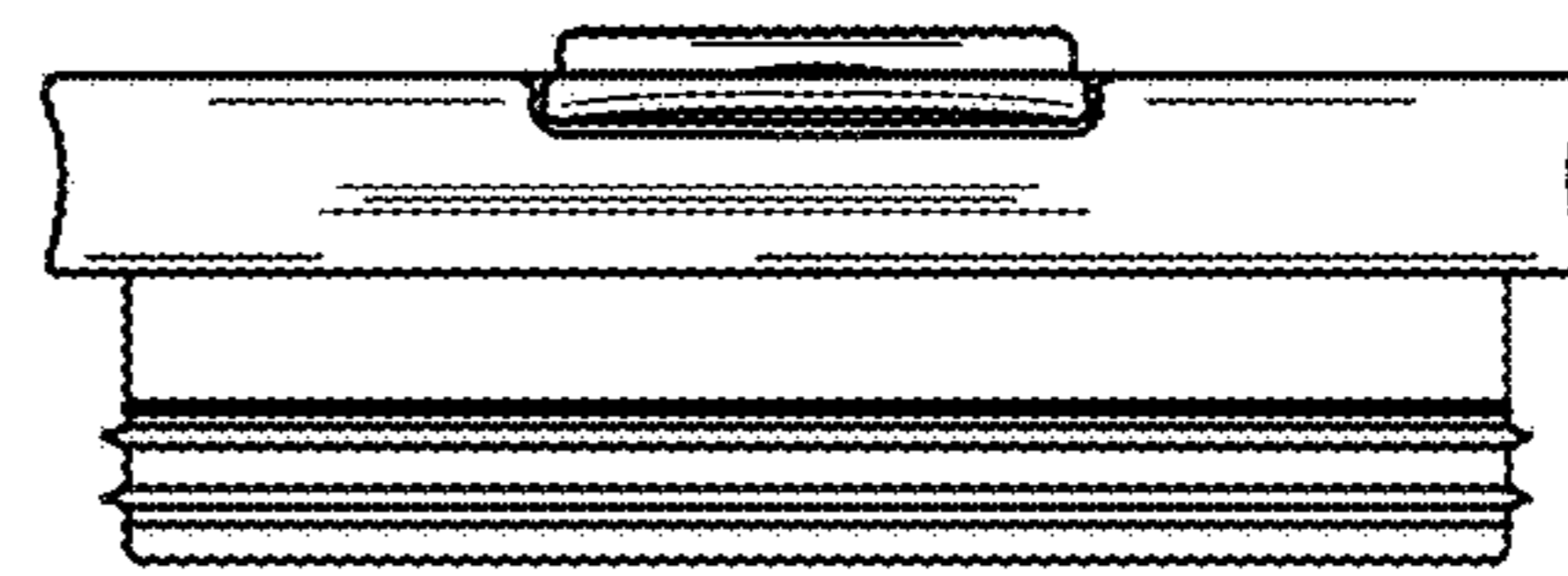
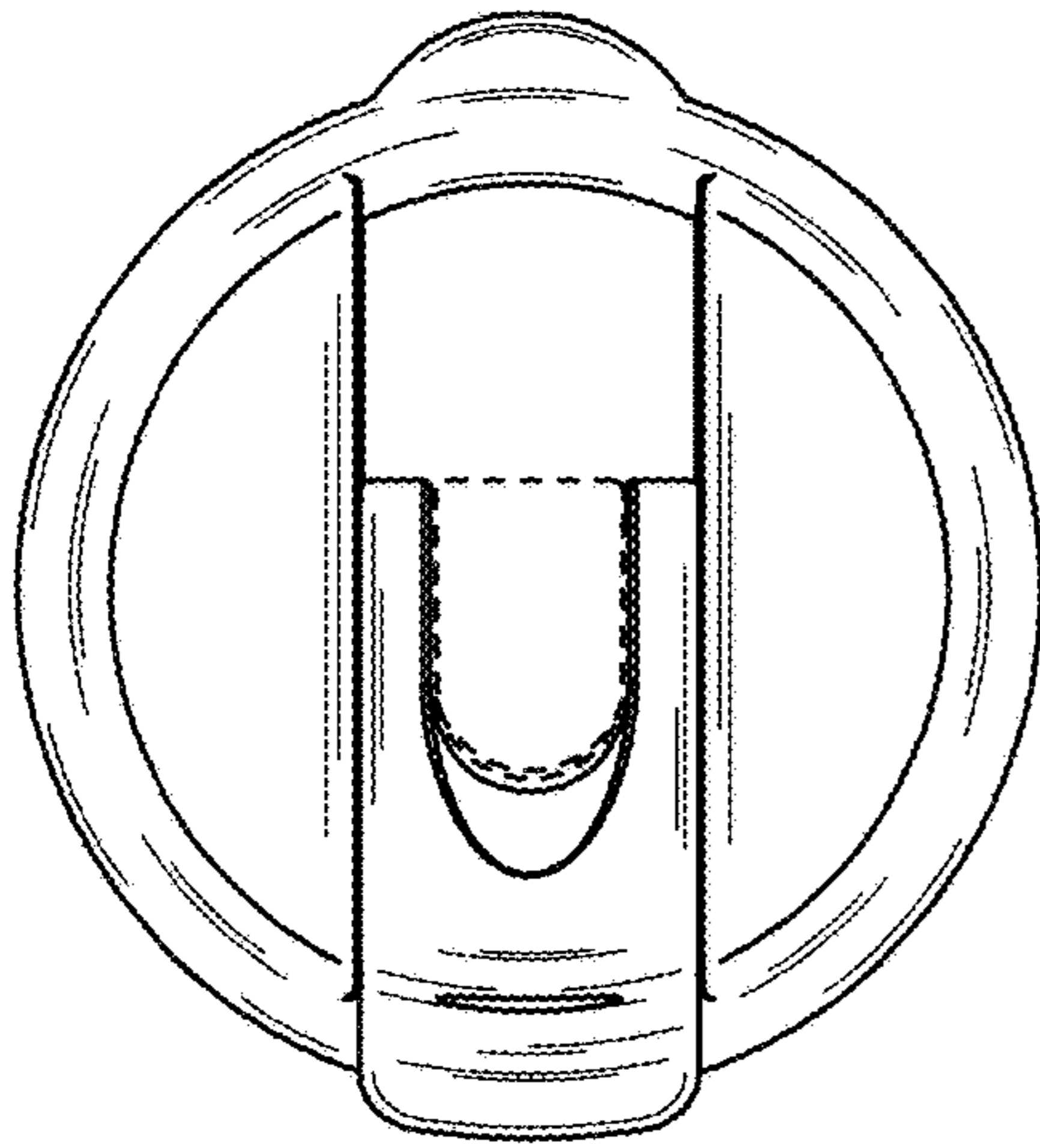
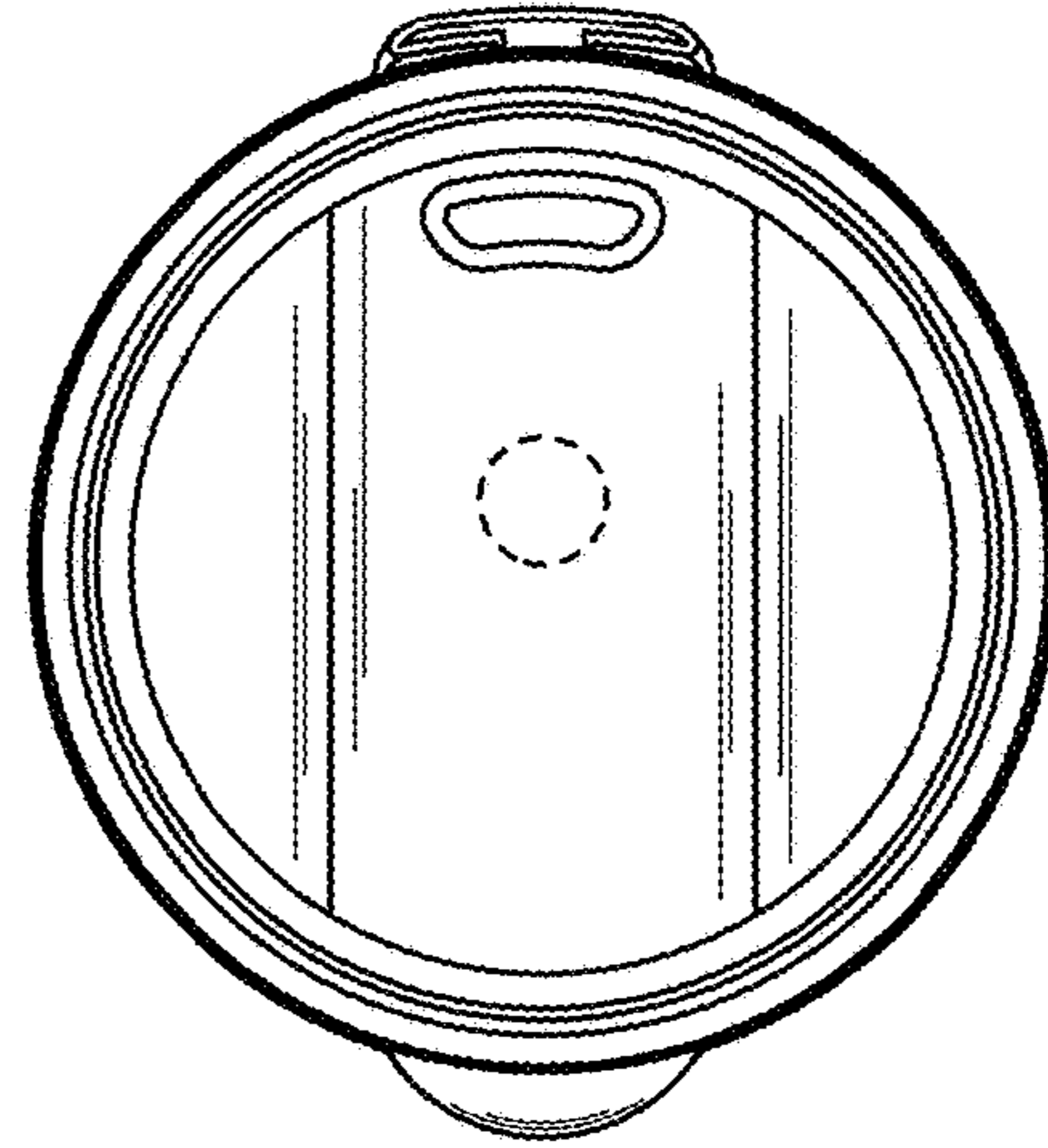


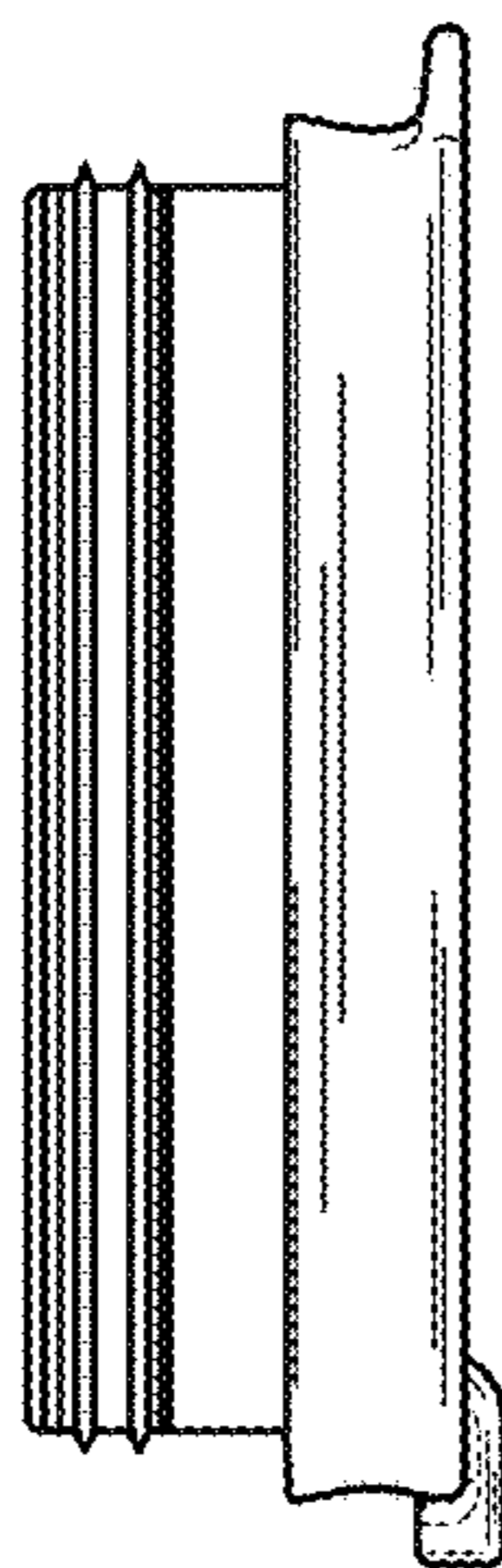
FIG. 14



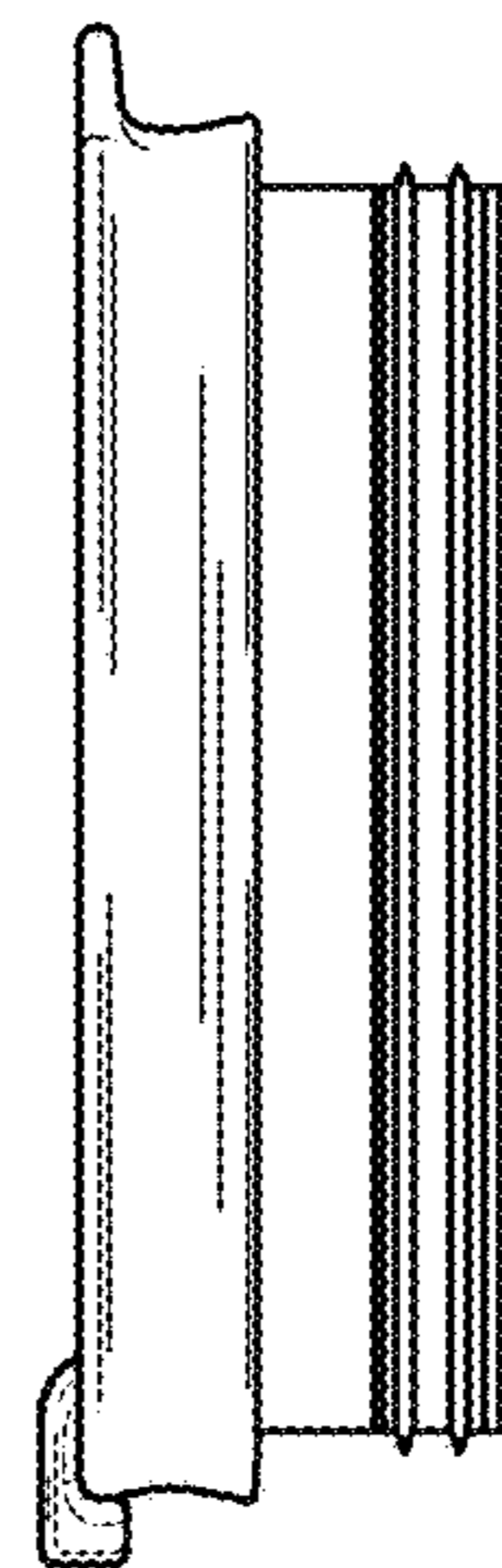
**FIG. 15**



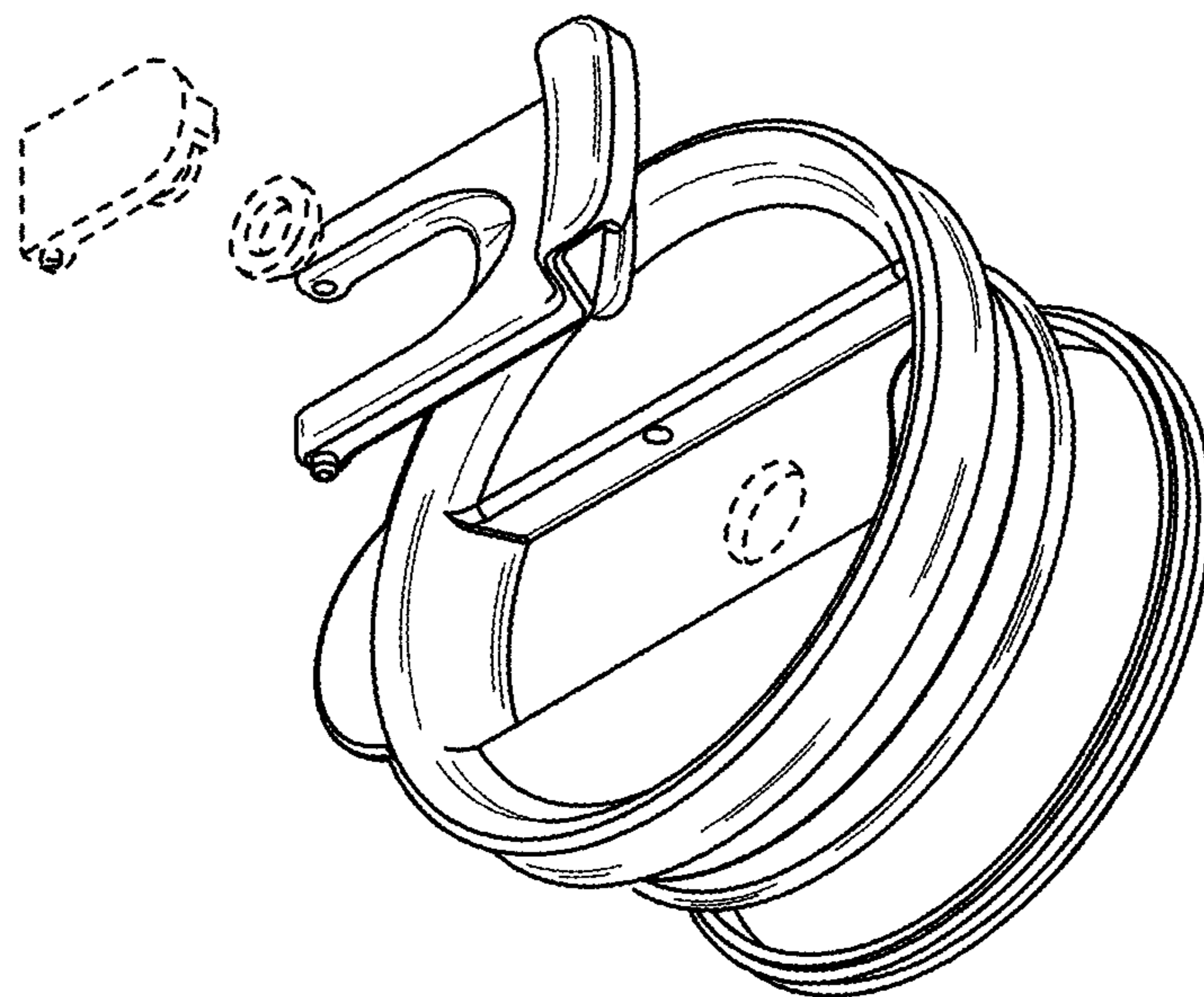
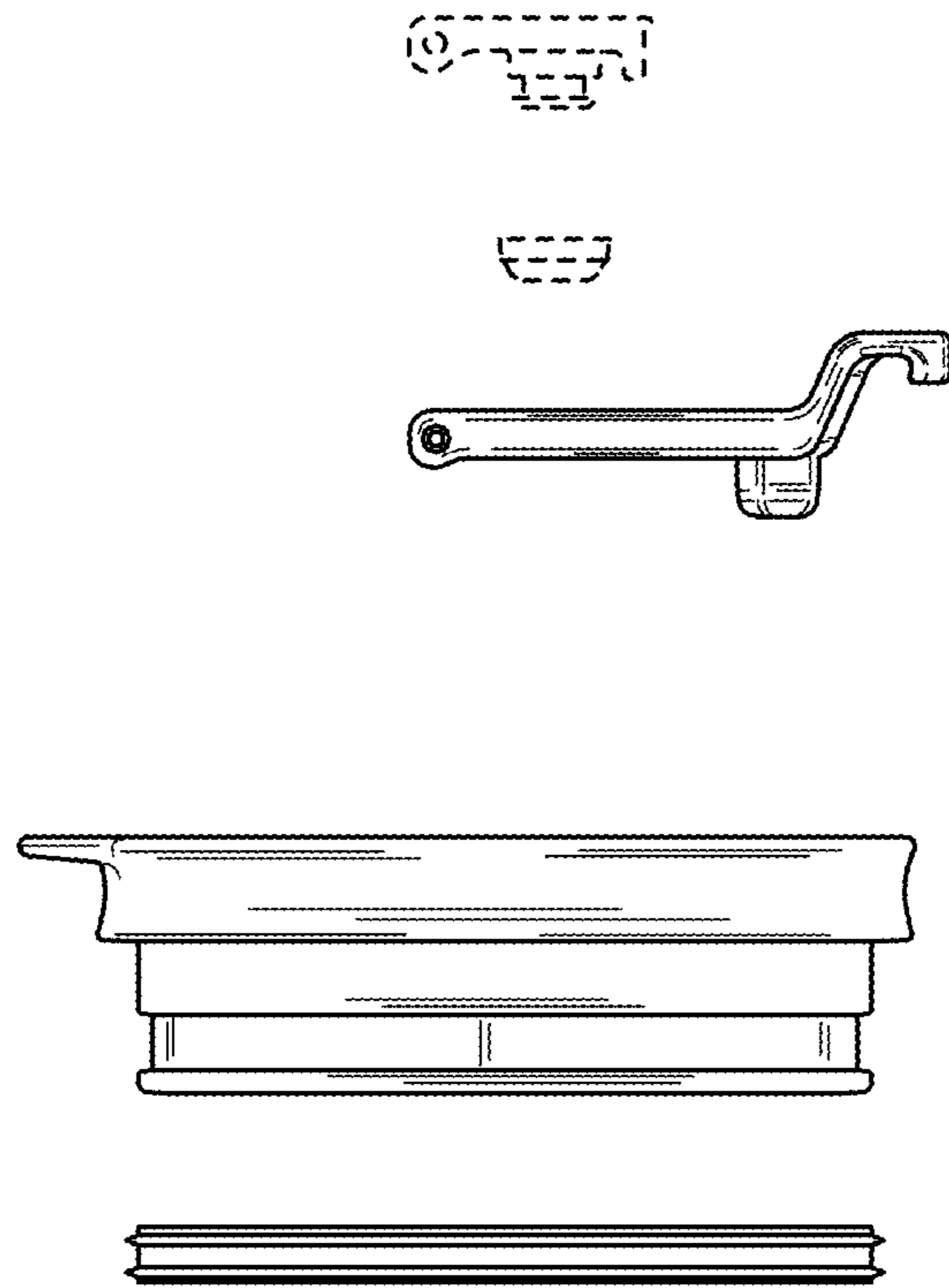
**FIG. 16**



**FIG. 17**



**FIG. 18**





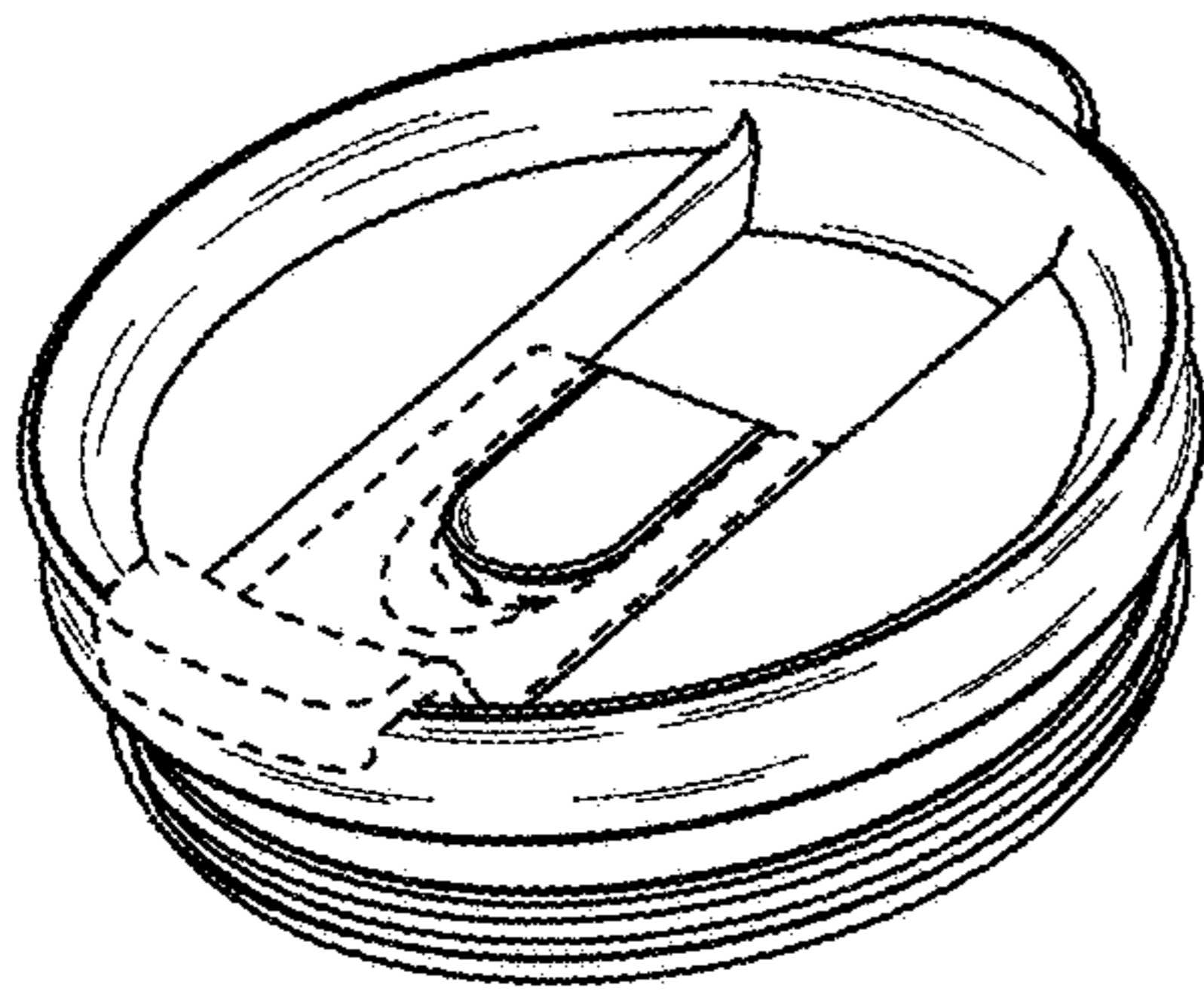


FIG. 21

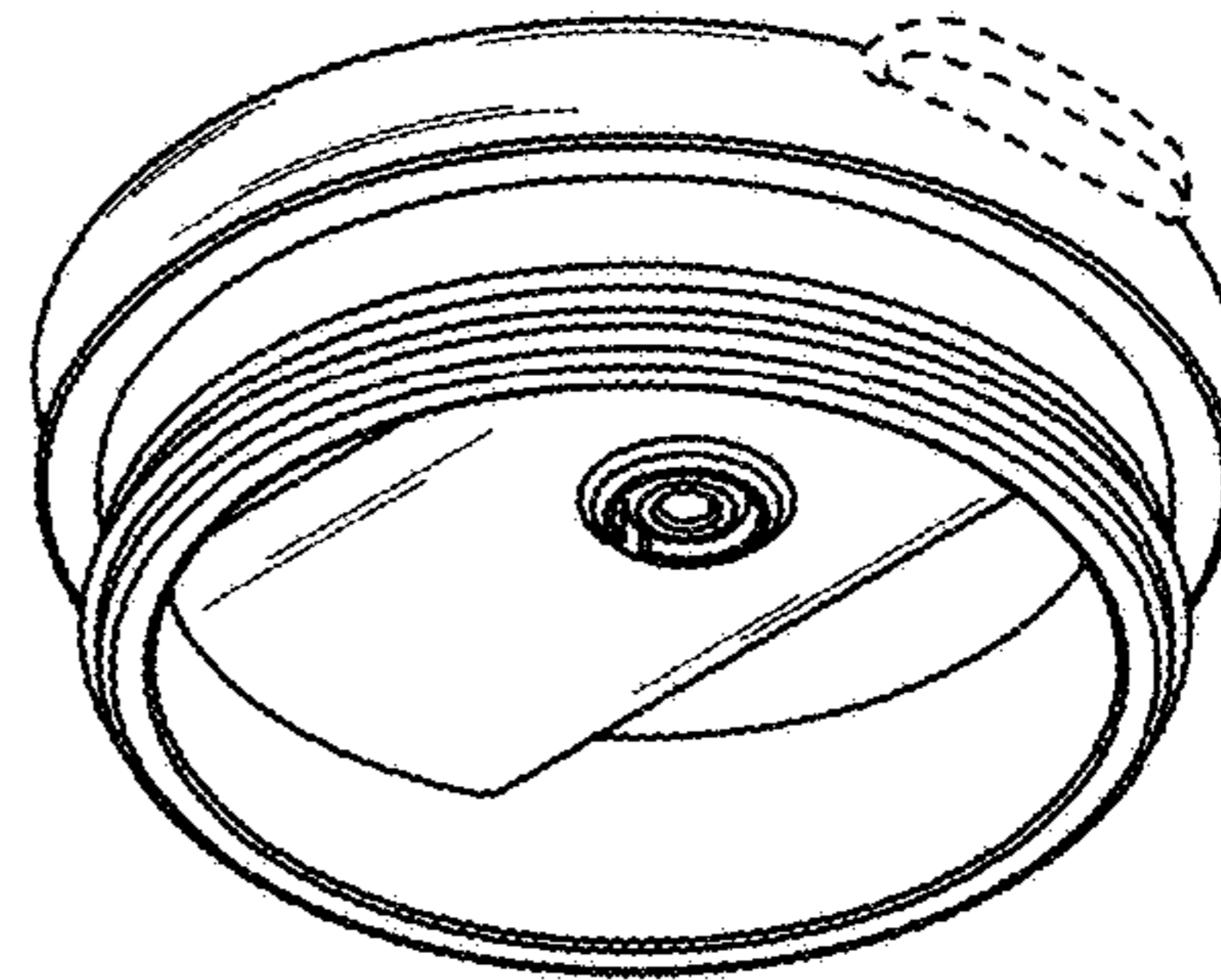


FIG. 22



FIG. 23

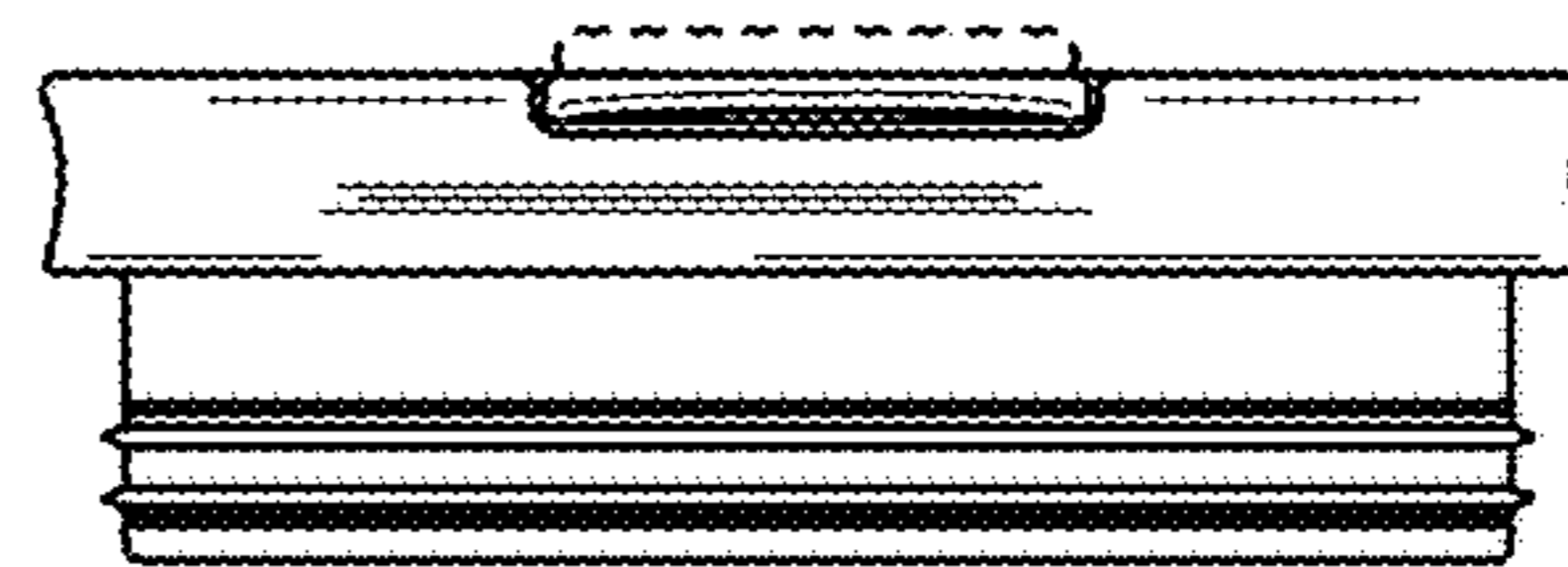


FIG. 24

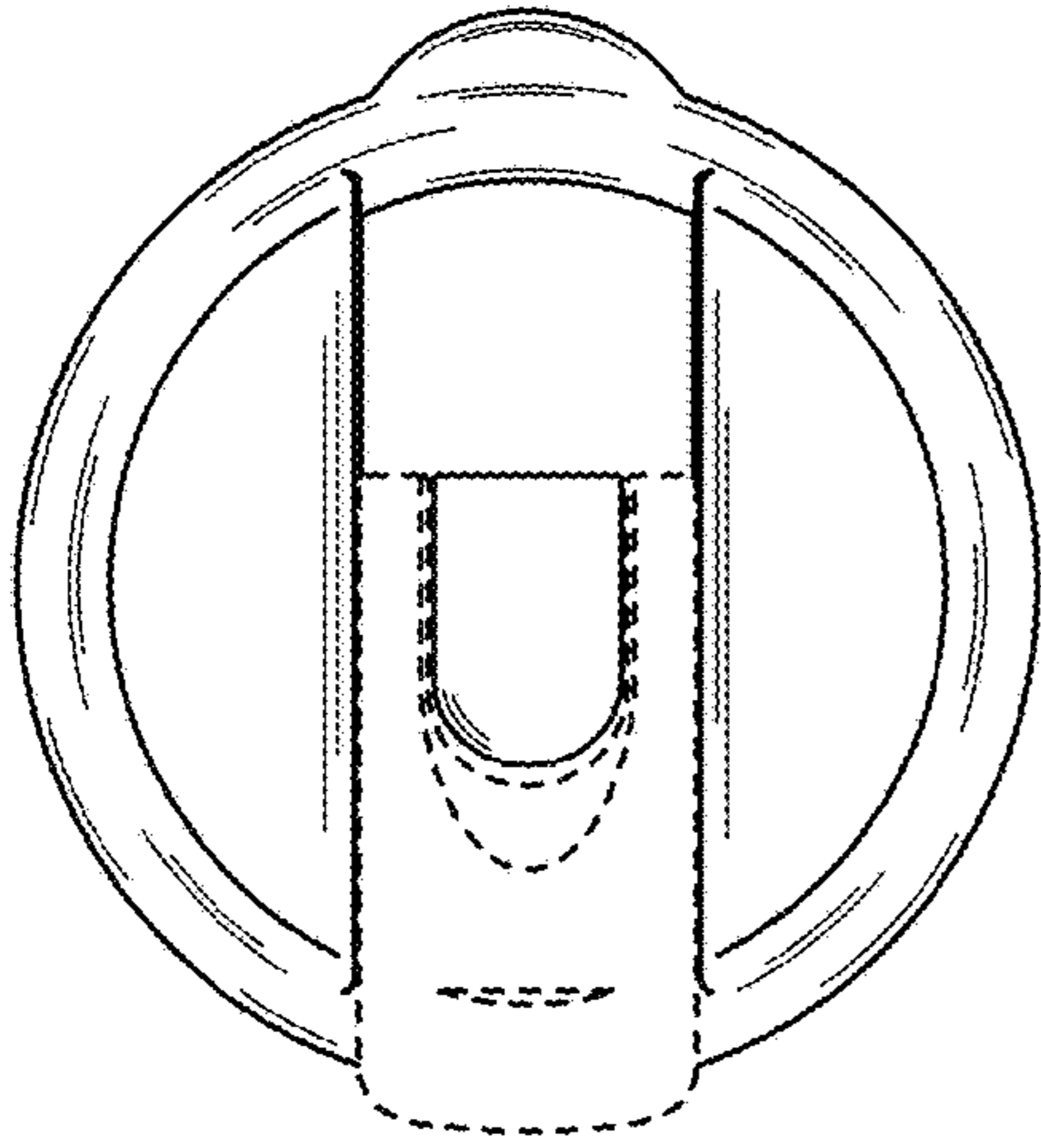


FIG. 25

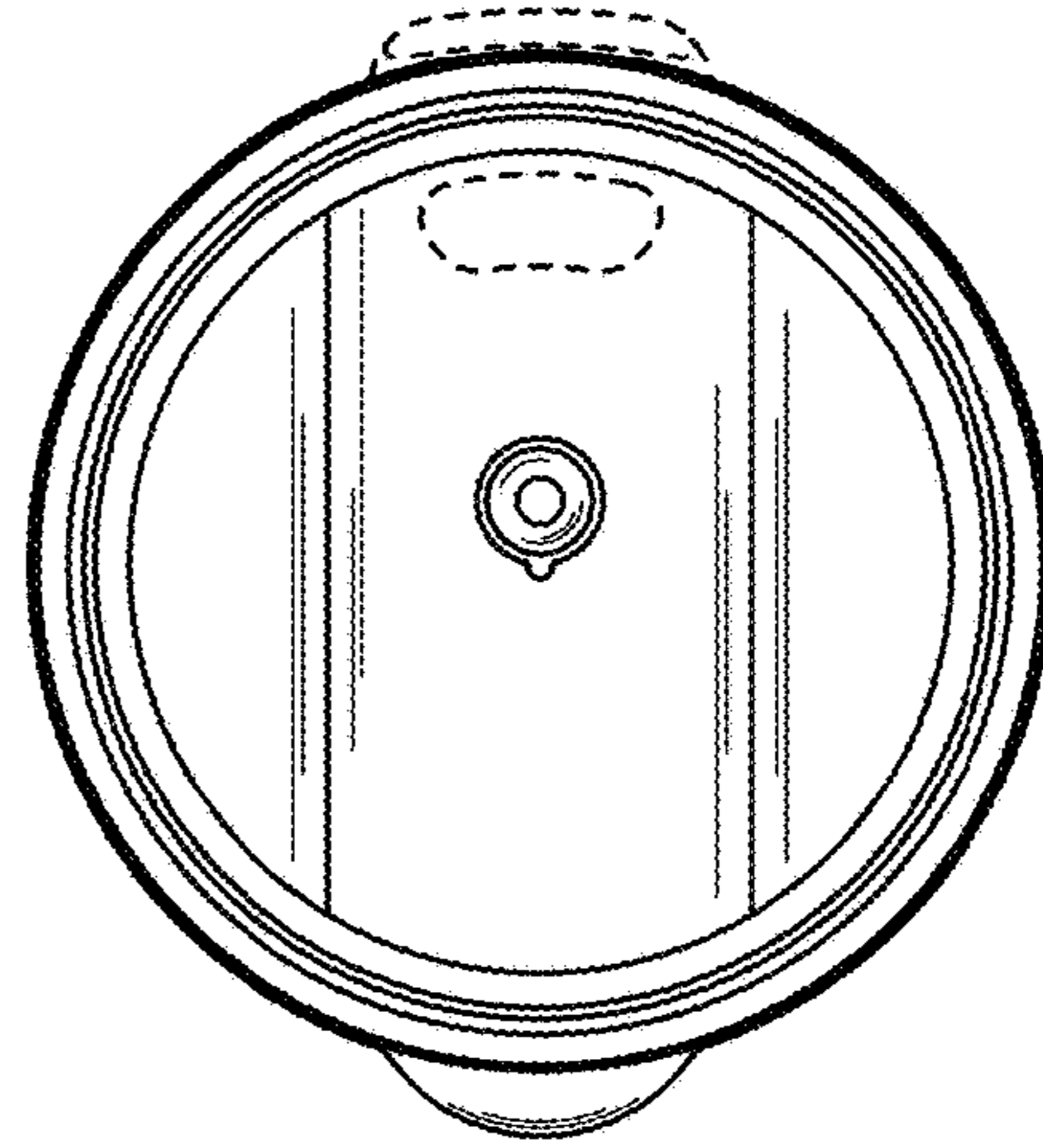


FIG. 26

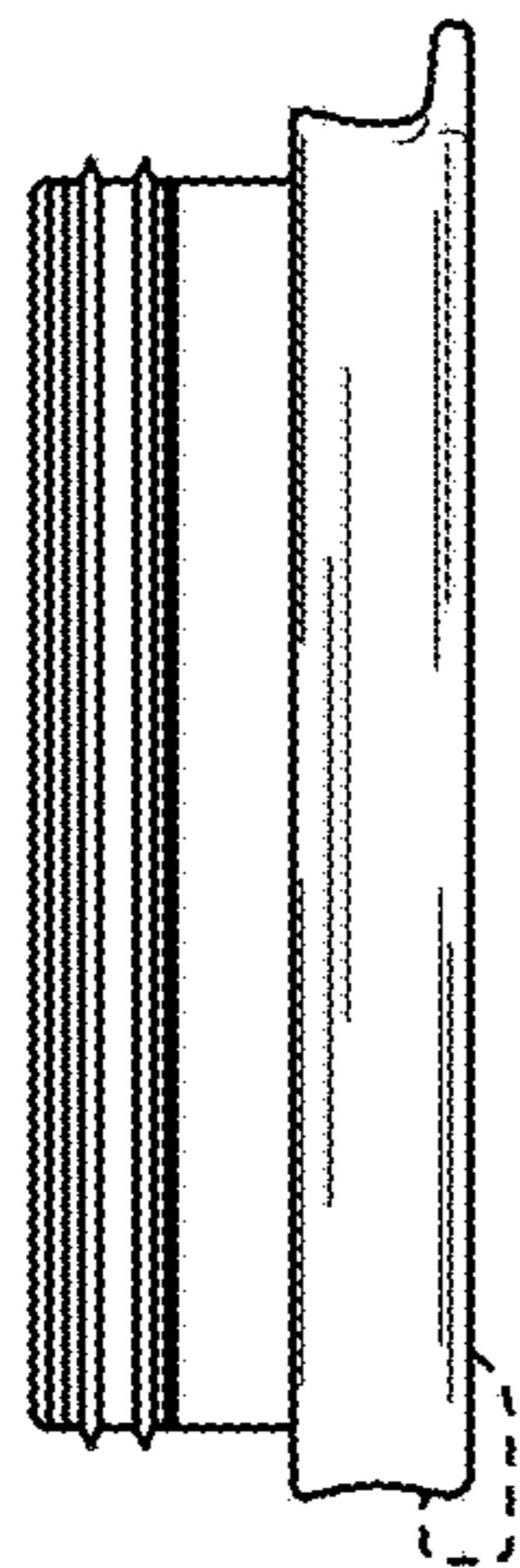


FIG. 27

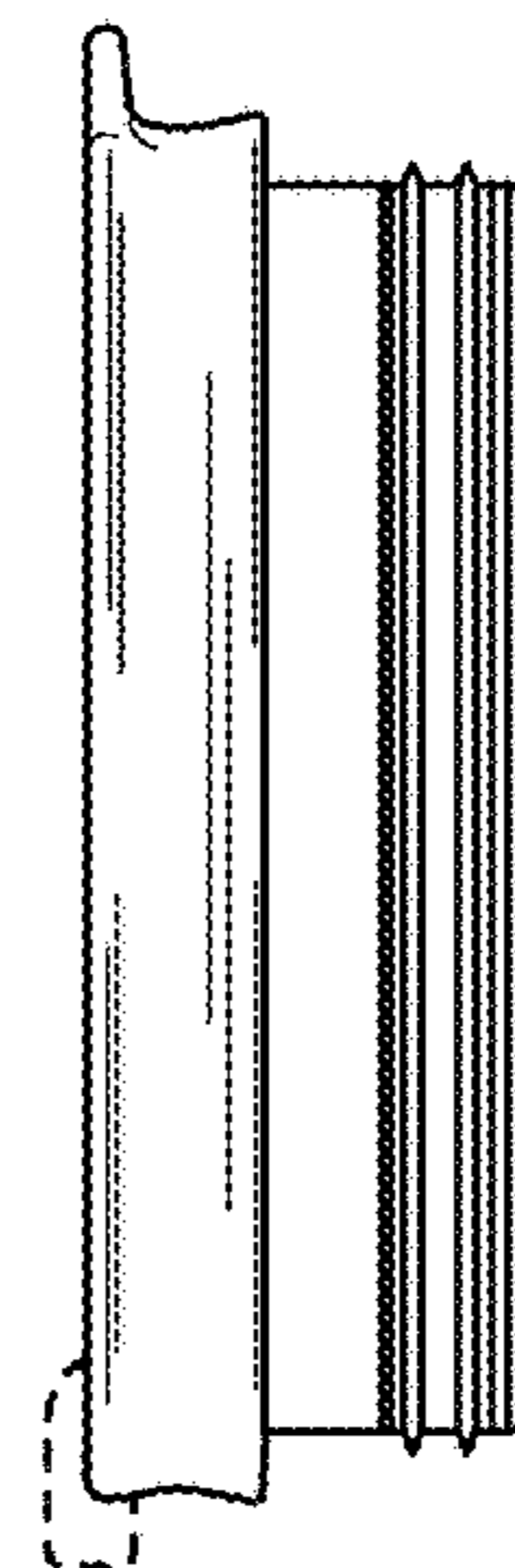
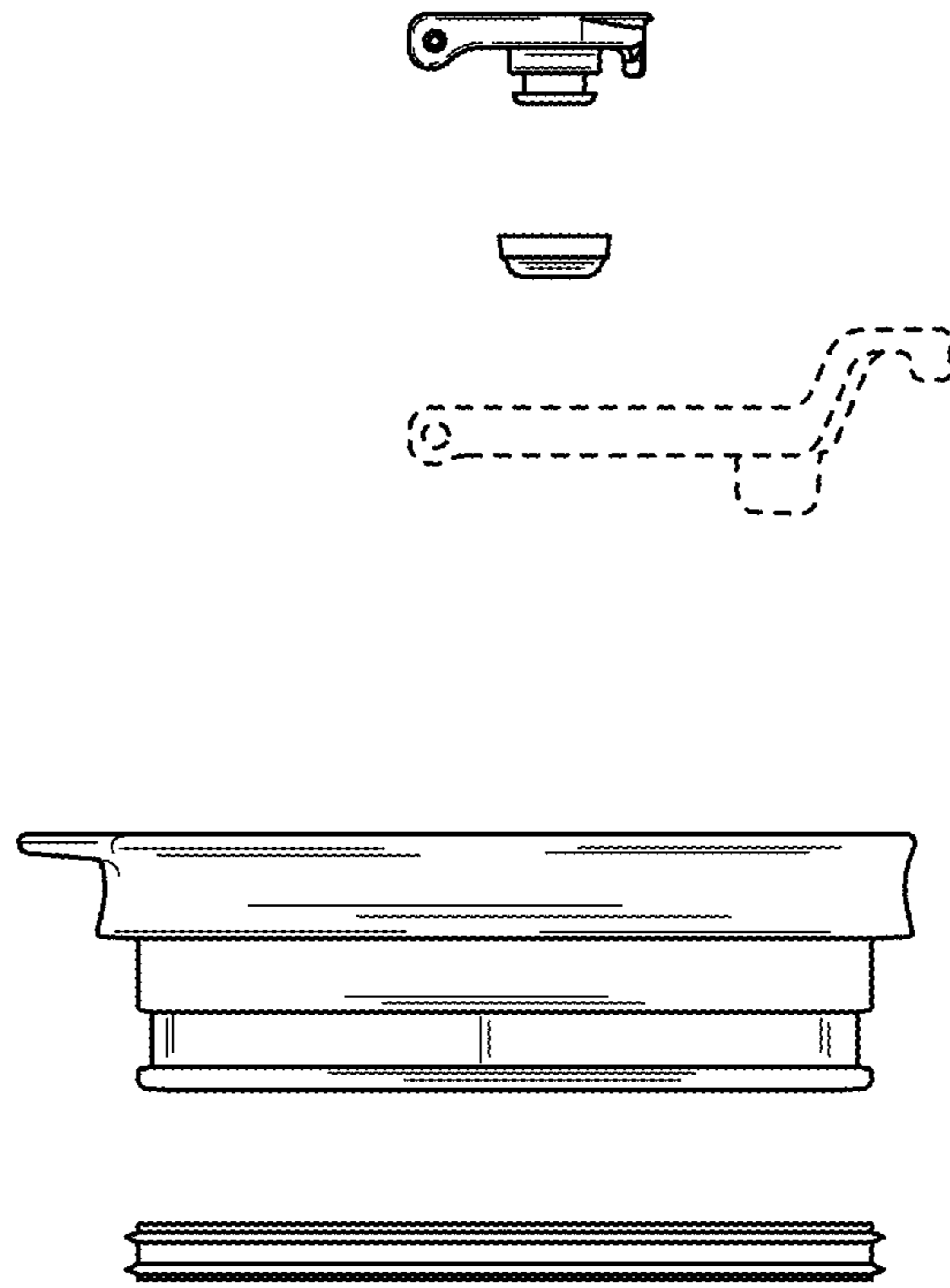
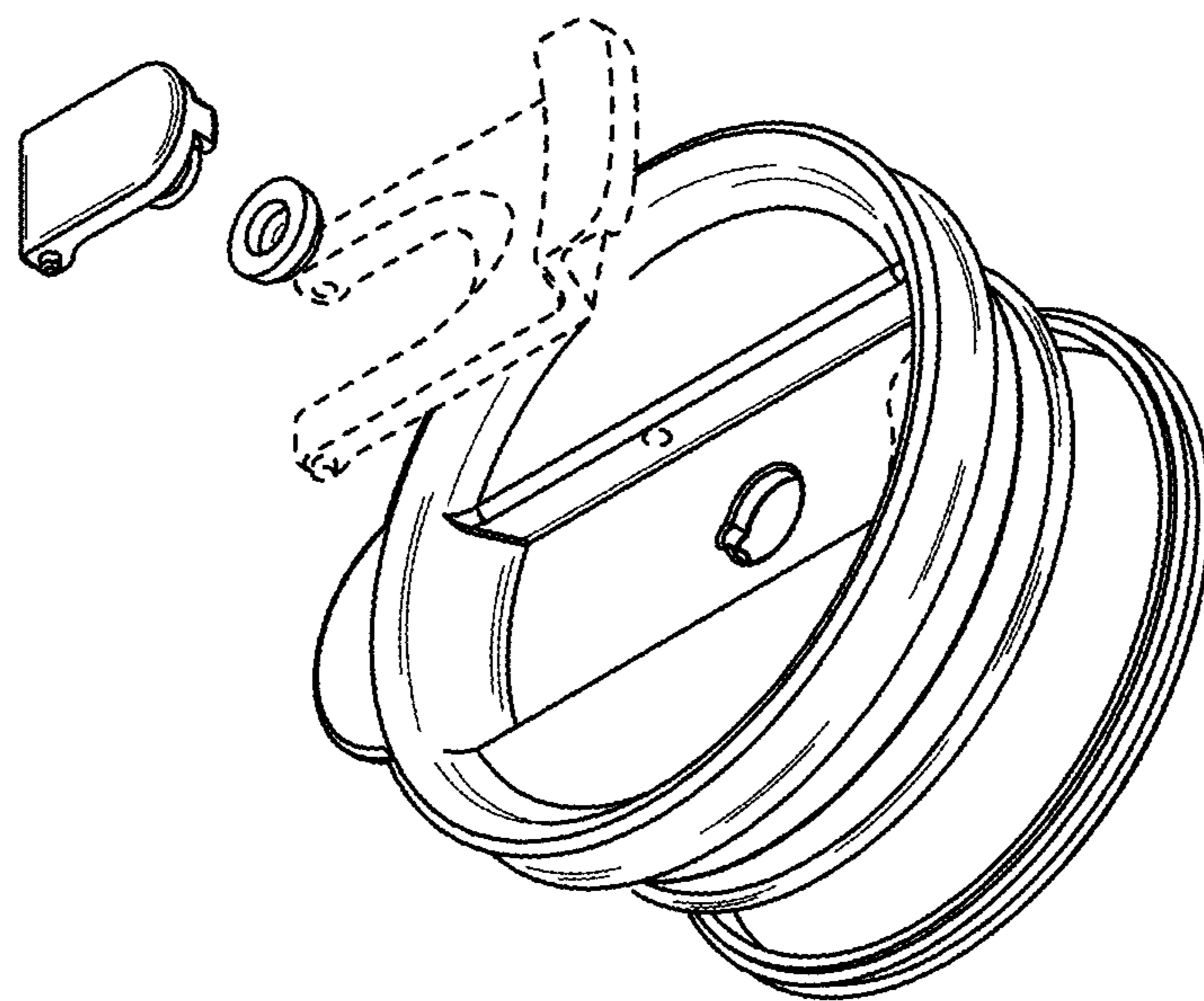


FIG. 28



**FIG. 29**



**FIG. 30**