



US00D802361S

(12) **United States Design Patent** (10) **Patent No.:** **US D802,361 S**
Sarnoff et al. (45) **Date of Patent:** **** Nov. 14, 2017**

(54) **LID FOR A PAN**

(71) Applicant: **Handi -Foil Corporation**, Wheeling, IL (US)

(72) Inventors: **Brad Sarnoff**, Highland Park, IL (US);
Raj Patel, Lake Zurich, IL (US)

(73) Assignee: **Handi-Foil Corporation**, Wheeling, IL (US)

(**) Term: **15 Years**

(21) Appl. No.: **29/579,142**

(22) Filed: **Sep. 28, 2016**

(51) **LOC (10) Cl.** **07-01**

(52) **U.S. Cl.**

USPC **D7/392.1**; D9/435

(58) **Field of Classification Search**

USPC D7/354, 360, 391, 392, 392.1, 396.1,
D7/511, 538, 542, 602, 629, 705;
D9/424, 430, 435, 443, 452, 454

CPC B65D 2543/00101; B65D 2543/00027
See application file for complete search history.

(56) **References Cited**

U.S. PATENT DOCUMENTS

1,064,532	A	6/1913	Peacock	
2,216,147	A	10/1940	Ward	
2,669,914	A	2/1954	Swaine	
3,262,668	A	7/1966	Luker	
4,412,630	A *	11/1983	Daenen B65D 43/0218 220/792
D360,105	S *	7/1995	Doxey D7/391
6,065,629	A	5/2000	Samoff	
D455,605	S *	4/2002	Dretzka D7/392.1

(Continued)

OTHER PUBLICATIONS

“Handi-Foil 1/2-sz Foil Steam Lid”. Found online Jun. 30, 2017 at amazon.com. Page dated Apr. 18, 2006. Retrieved from https://

www.amazon.com/HFA204930-2-Foil-Steam-Fits/dp/B004W5W6HY/ref=cm_cr_arp_d_product_top?ie=UTF8%2004.18.2006.*

(Continued)

Primary Examiner — Robert M. Spear
Assistant Examiner — Kendra Leslie Hamilton

(74) *Attorney, Agent, or Firm* — Adam K. Sacharoff;
Much Shelist, P.C.

(57) **CLAIM**

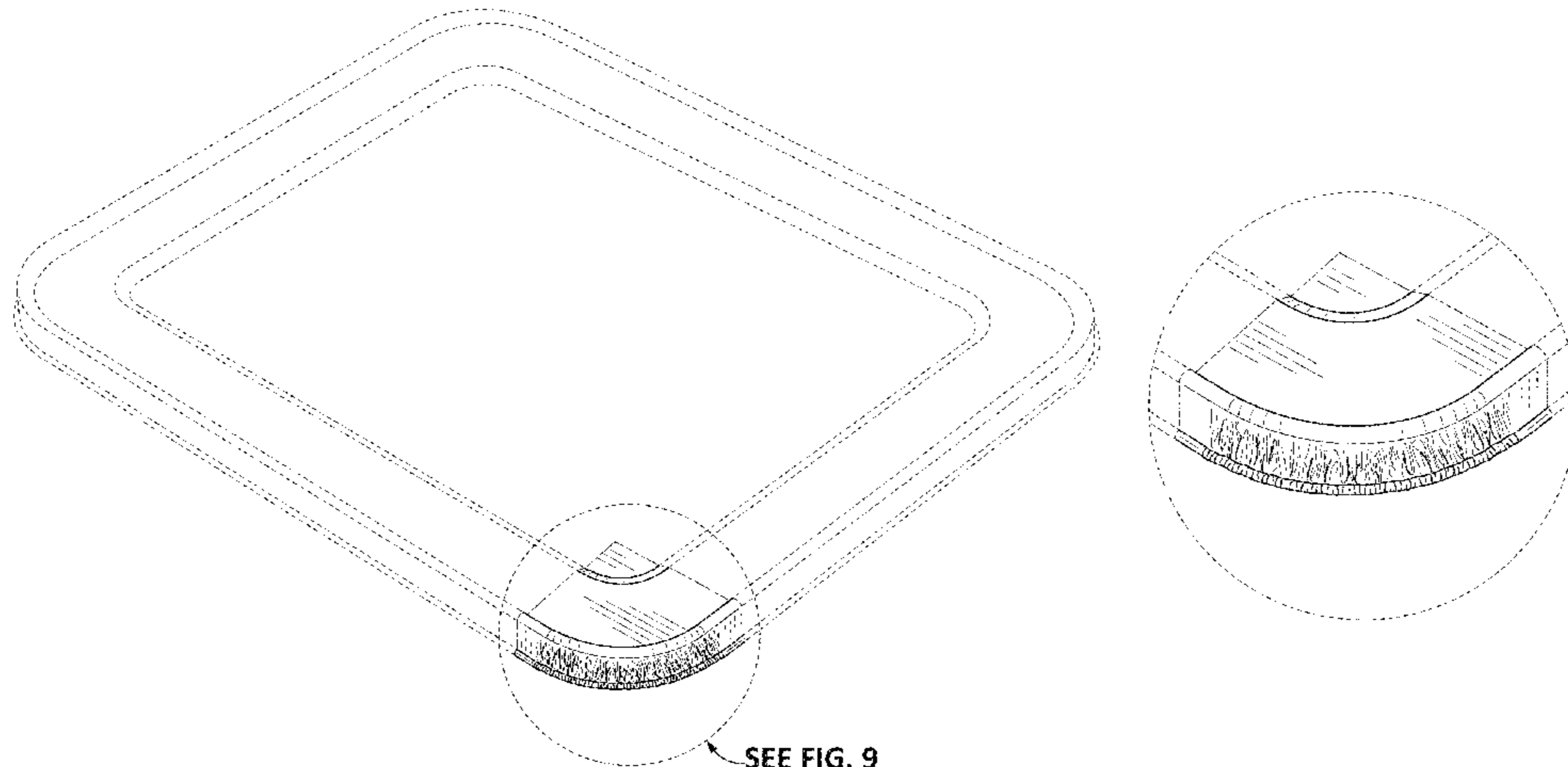
The ornamental design for a lid for a pan, as shown and described.

DESCRIPTION

FIG. 1 is a top front left side perspective view a lid for a pan showing our new design;
FIG. 2 is a left side view thereof;
FIG. 3 is a right side view thereof;
FIG. 4 is a front view thereof;
FIG. 5 is a rear side view thereof;
FIG. 6 is a top plan view thereof;
FIG. 7 is a bottom plan view thereof;
FIG. 8 is a bottom perspective view thereof;
FIG. 9 is an enlarged top front left side perspective view of the detail identified in FIG. 1;
FIG. 10 is an enlarged left side view of the detail identified in FIG. 2;
FIG. 11 is an enlarged right side view of the detail identified in FIG. 4;
FIG. 12 is an enlarged top plan view of the detail identified in FIG. 6;
FIG. 13 is an enlarged bottom plan view of the detail identified in FIG. 7; and,
FIG. 14 is an enlarged bottom perspective view of the detail identified in FIG. 8.

The evenly-spaced broken lines in the figures represent unclaimed subject matter only and form no part of the claimed design. The dash-dot-dash broken lines immediately adjacent to the shaded area represent unclaimed boundaries of the design.

1 Claim, 8 Drawing Sheets



(56)

References Cited

U.S. PATENT DOCUMENTS

6,415,945	B1	7/2002	Zank et al.	
D470,048	S *	2/2003	Buchalski	D9/425
D478,775	S *	8/2003	Tanji	D7/392.1
D598,197	S *	8/2009	Ahlstrom	D3/323
8,006,843	B1 *	8/2011	McFarland	B65D 1/34 206/503
D646,923	S *	10/2011	Chhay	B65D 21/0222 D7/391
D694,062	S *	11/2013	Andres	D7/392.1
D755,578	S *	5/2016	Wu	D7/629
D770,277	S *	11/2016	Carlson	D9/443
2009/0321462	A1 *	12/2009	Hui	B65D 43/021 220/780
2010/0170204	A1 *	7/2010	Alzheimer	B65D 43/0218 220/377

OTHER PUBLICATIONS

“A World of Deals Aluminum Foil Lids for Steam Table”. Found online Jun. 30, 2017 at amazon.com. Page dated Jan. 14, 2015. Retrieved from https://www.amazon.com/World-Deals-Aluminum-Steam-Half-Size/dp/B00S8K8CI6/ref=sr_1_2?ie=UTF8&qid=1497555442&sr=8-2&keywords=foil+lid%2001.14.2015.*

“TigerChef Aluminum Foil Lids for Half Size Steam Table Pans”. Found online Jun. 30, 2017 at amazon.com. Page dated Jul. 14, 2015. Retrieved from https://www.amazon.com/TigerChef-TC-20488-Aluminum-Recipe-13/dp/B00TSRKHBI/ref=cm_cr_arp_d_product_top?ie=UTF8.*

“FREEDco Aluminum 1/2 Size Lids”. Found online Jun. 30, 2017 at amazon.com. Page dated Dec. 6, 2016. Retrieved from <https://www.amazon.com/FREEDco-Aluminum-Lids-Steam-Multi-Purpose/dp/>

B01N6DXX1J/ref=sr_1_29?ie=UTF8&qid=1497555511&sr=8-29&keywords=foil+lid.*

Copending U.S. Appl. No. 15/586,547; USPTO Office Action; dated Jun. 30, 2017.

“Handi-Foil 1/2-sz Foil Steam Lid”. Found online Jun. 30, 2017 at amazon.com. Page dated Apr. 18, 2006. Retrieved from https://www.amazon.com/HFA204930-2-Foii-Steam-Fits/dp/B004W5W6HY/ref=cm_cr_arp_d_product_top?ie=UTF8%2004.18.2006.

“A World of Deals Aluminum Foil Lids for Steam Table”. Found online Jun. 30, 2017 at amazon.com. Page dated Jan. 14, 2015. Retrieved from https://www.amazon.com/World-Deals-Aiuminum-Steam-Half-Size/dp/BOOS8K8CI6/ref=sr_1_2?ie=UTF8&qid=1497555442&sr=8-2&keywords=foil+lid%2001.14.2015.

“TigerChef Aluminum Foil Lids for Half Size Steam Table Pane”. Found online Jun. 30, 2017 at amazon.com. Page dated Jul. 14, 2015. Retrieved from https://www.amazon.com/TigerChef-TC-20488-Aiuminum-Recipe-13/dp/BOOTSRKHBI/ref=cm_cr_arp_d_product_top?ie=UTF8.

“FREEDco Aluminum 1/2 Size Lids”. Found online Jun. 30, 2017 at amazon.com. Page dated Dec. 6, 2016. Retrieved from https://www.amazon.com/FREEDco-Aiuminum-Lids-Steam-Multi-Purpose/dp/B01N6DXX1J/ref=sr_1_29?ie=UTF8&qid=1497555511&sr=8-29&keywords=foil+lid.

Co-pending U.S. Appl. No. 29/598,097, filed Mar. 23, 2017 Restriction Requirement with IDS, Jul. 10, 2017.

Co-pending U.S. Appl. No. 29/598,097, filed Mar. 23, 2017 Office Action, dated Aug. 9, 2017.

Corresponding Mexican Patent Application, Office Action issued by IMPI on Jul. 10, 2017. Single Reference Rejection U.S. Pat. No. 6415945.

Corresponding U.S. Appl. No. 29/598,097, Notice Allowance issued by USPTO dated Sep. 20, 2017.

* cited by examiner

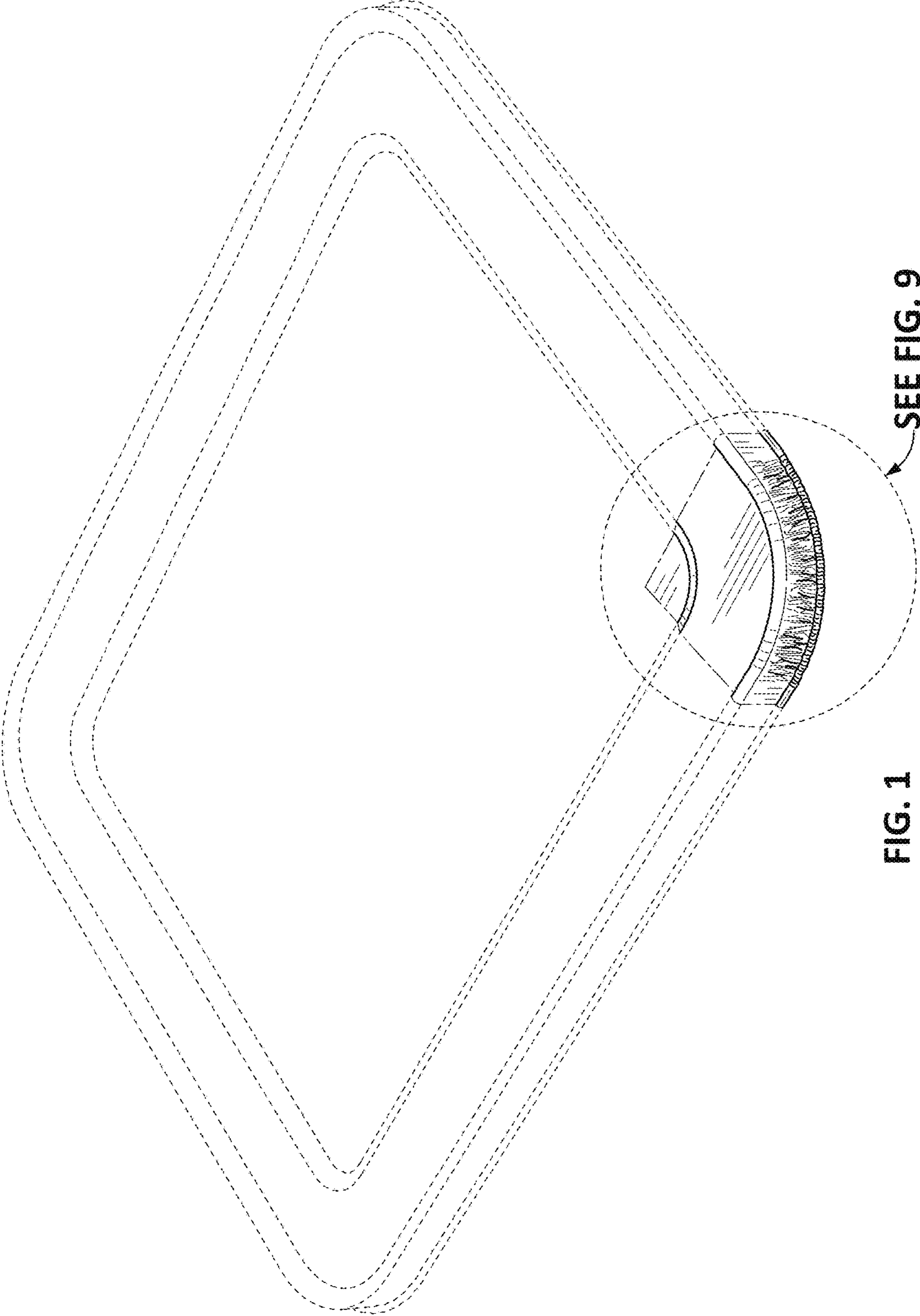


FIG. 1

SEE FIG. 9

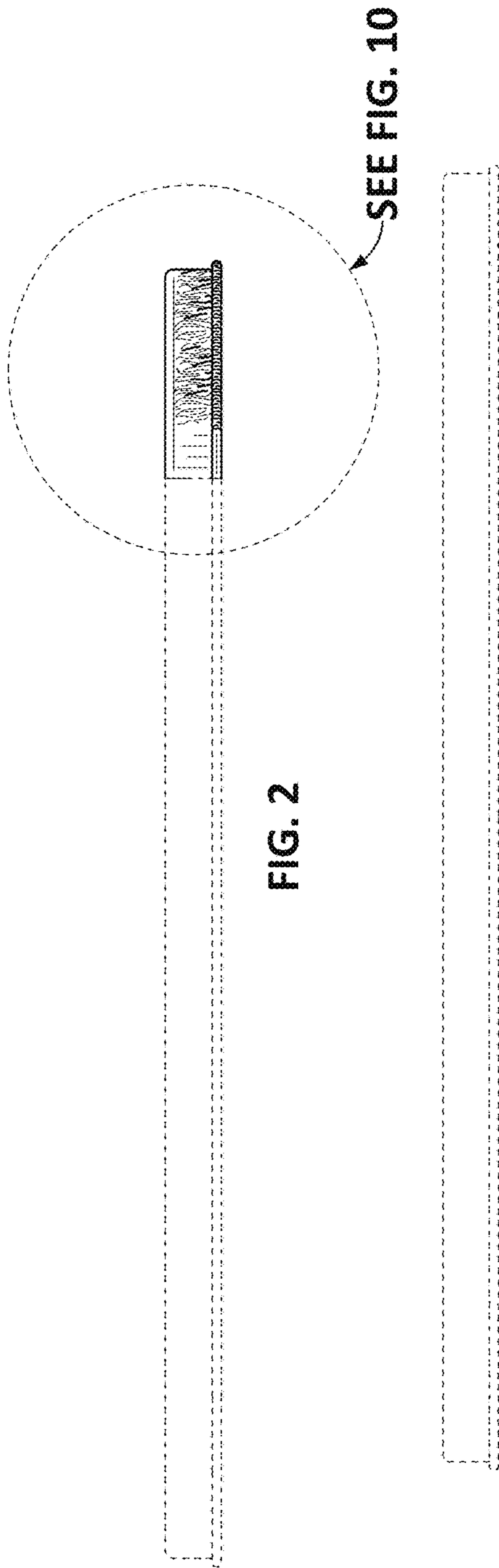


FIG. 3

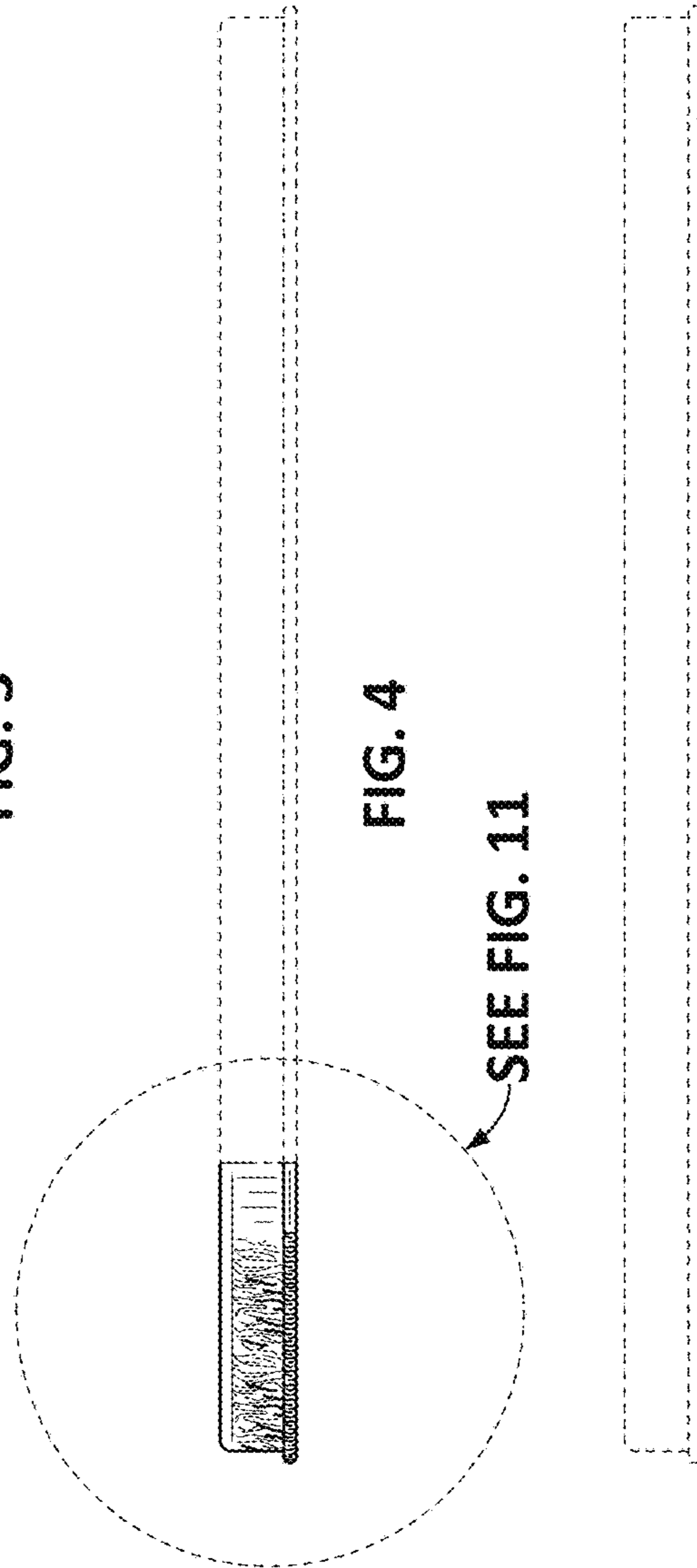


FIG. 4

FIG. 5

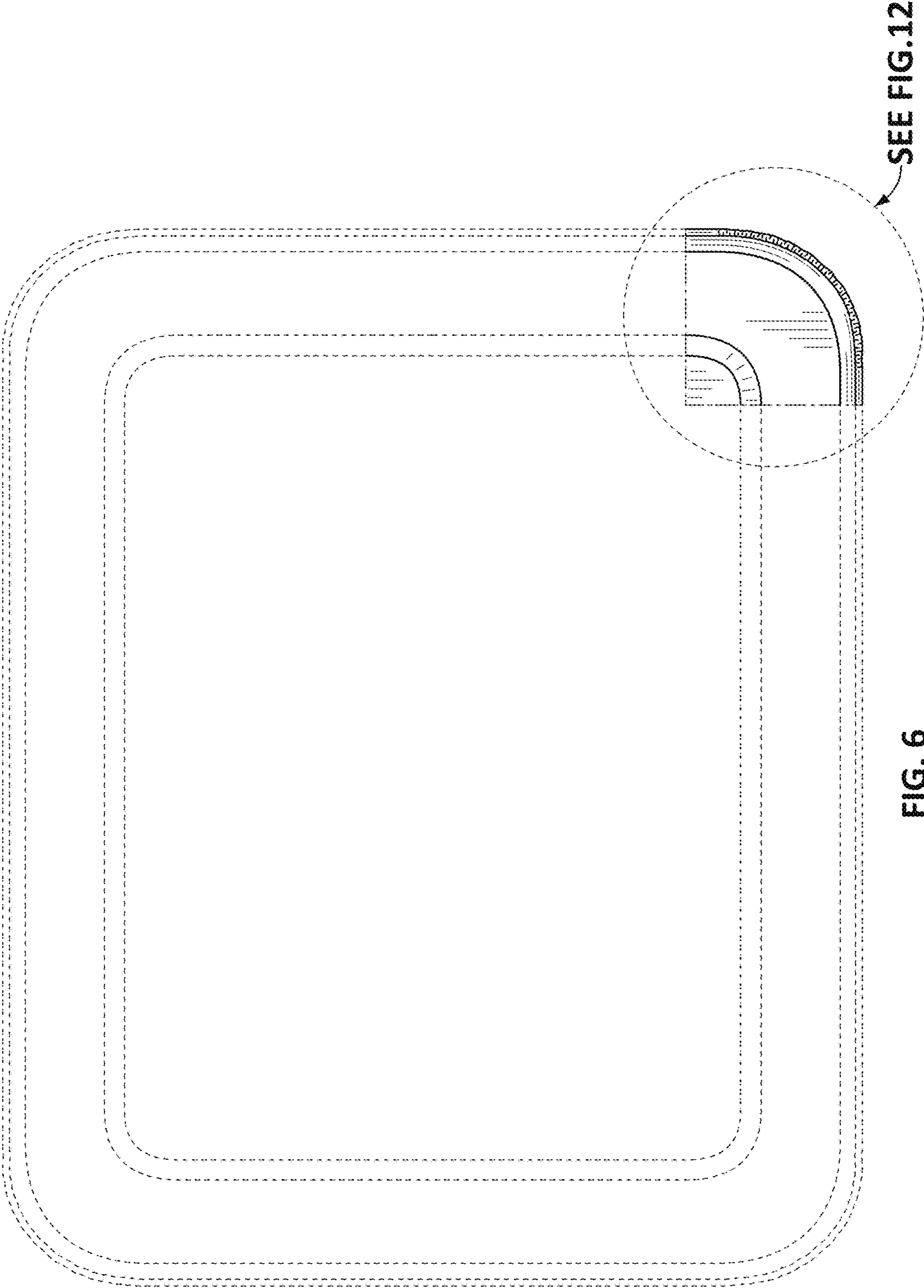
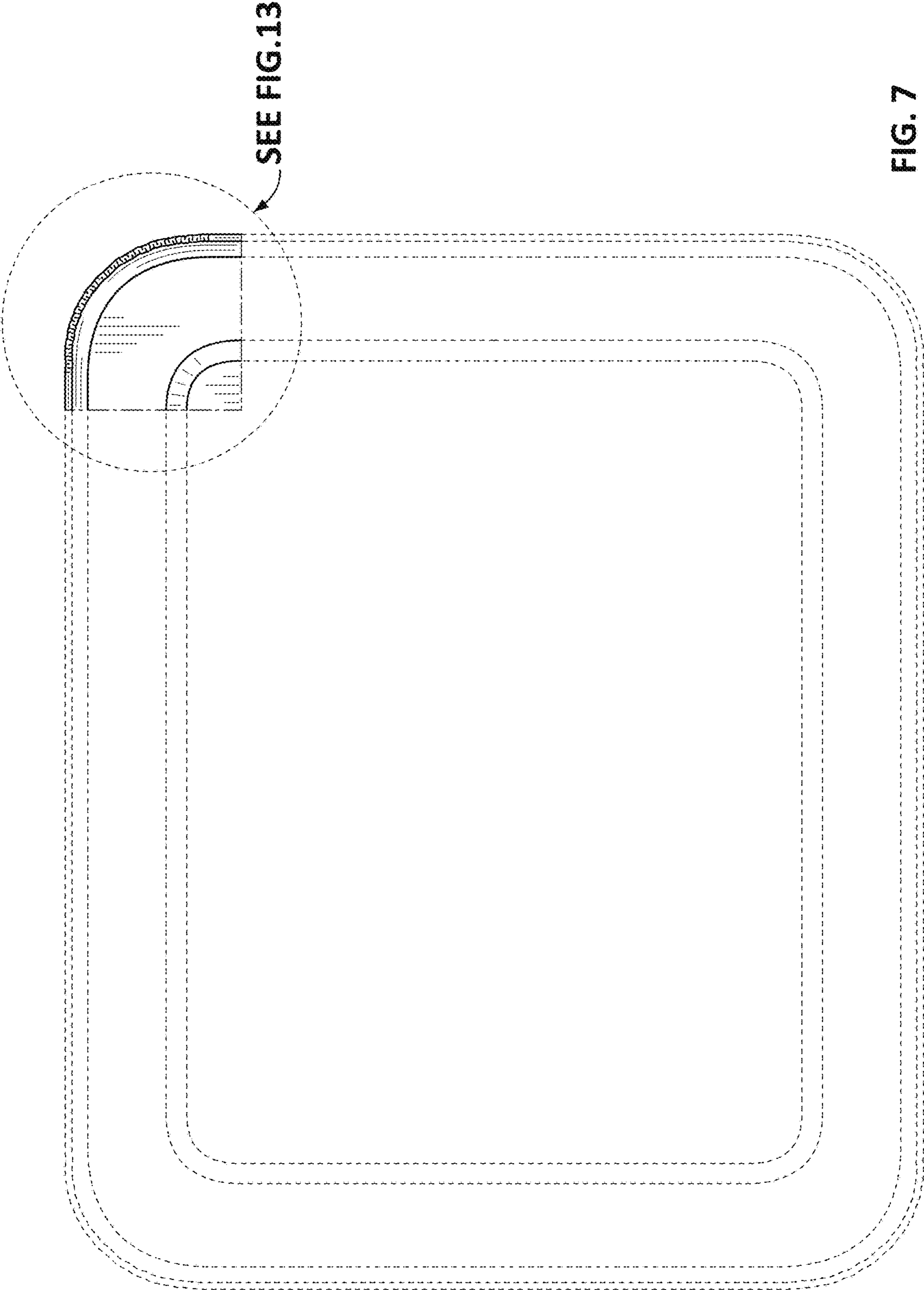
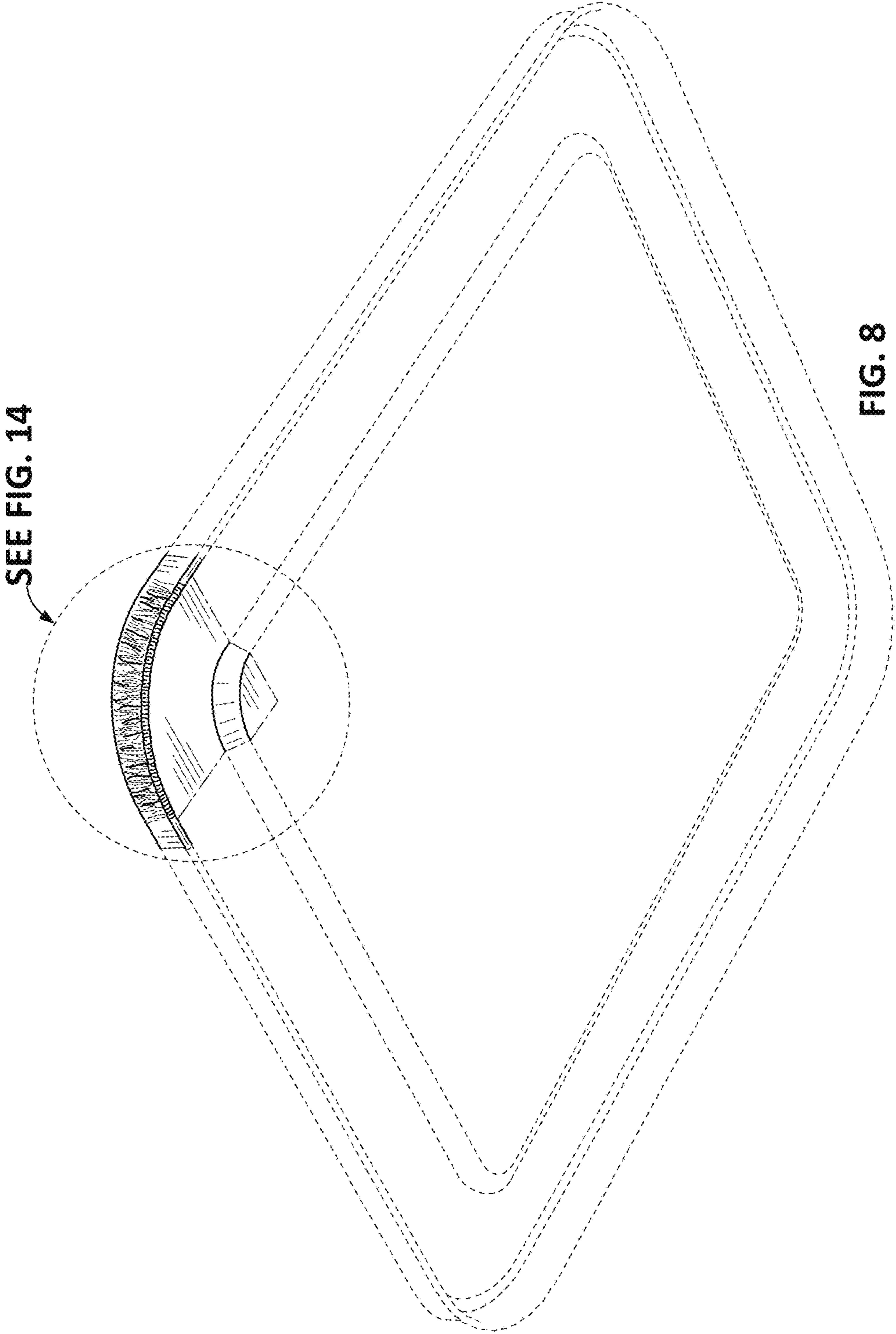


FIG. 6





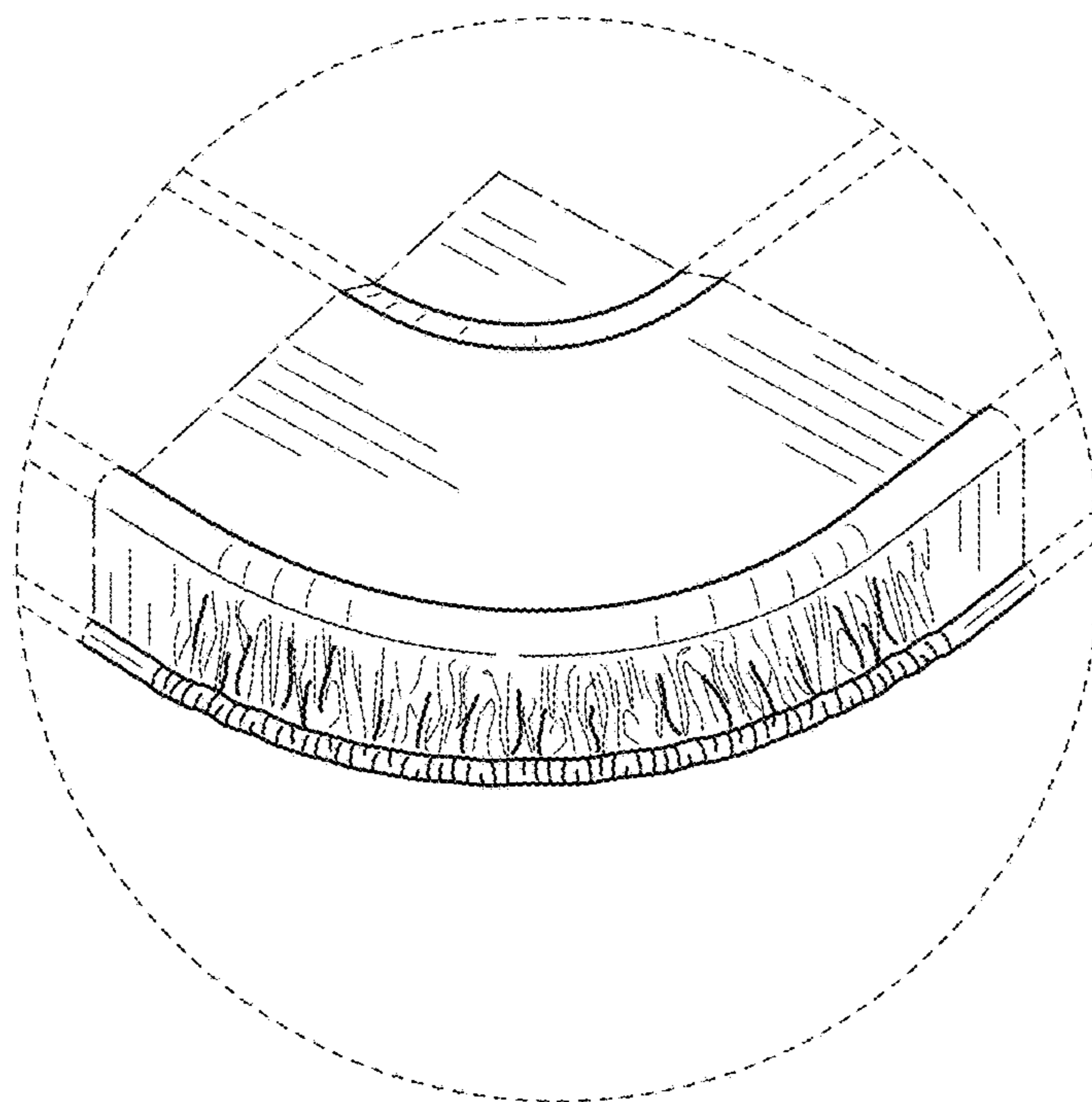


FIG. 9

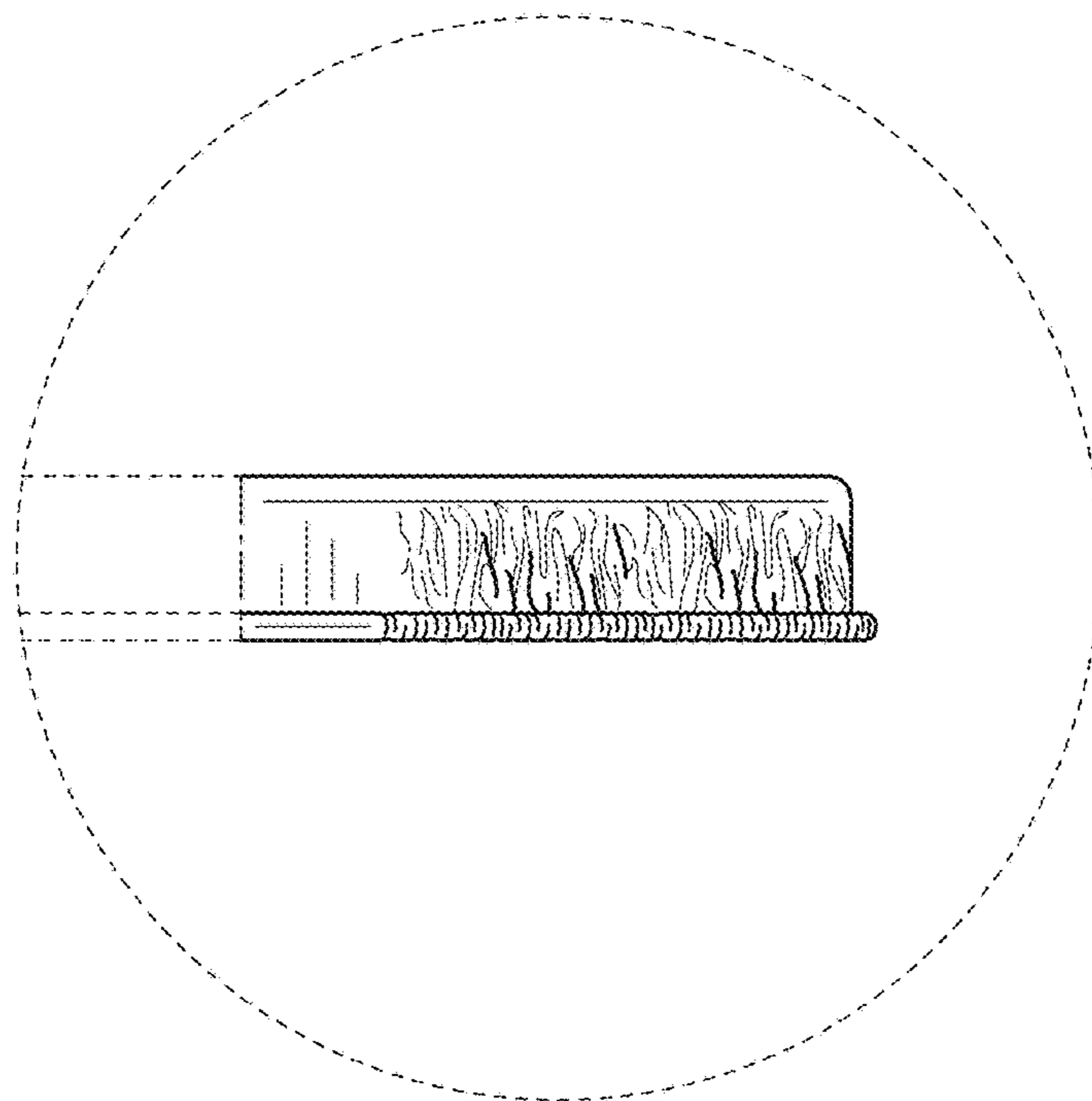


FIG. 10

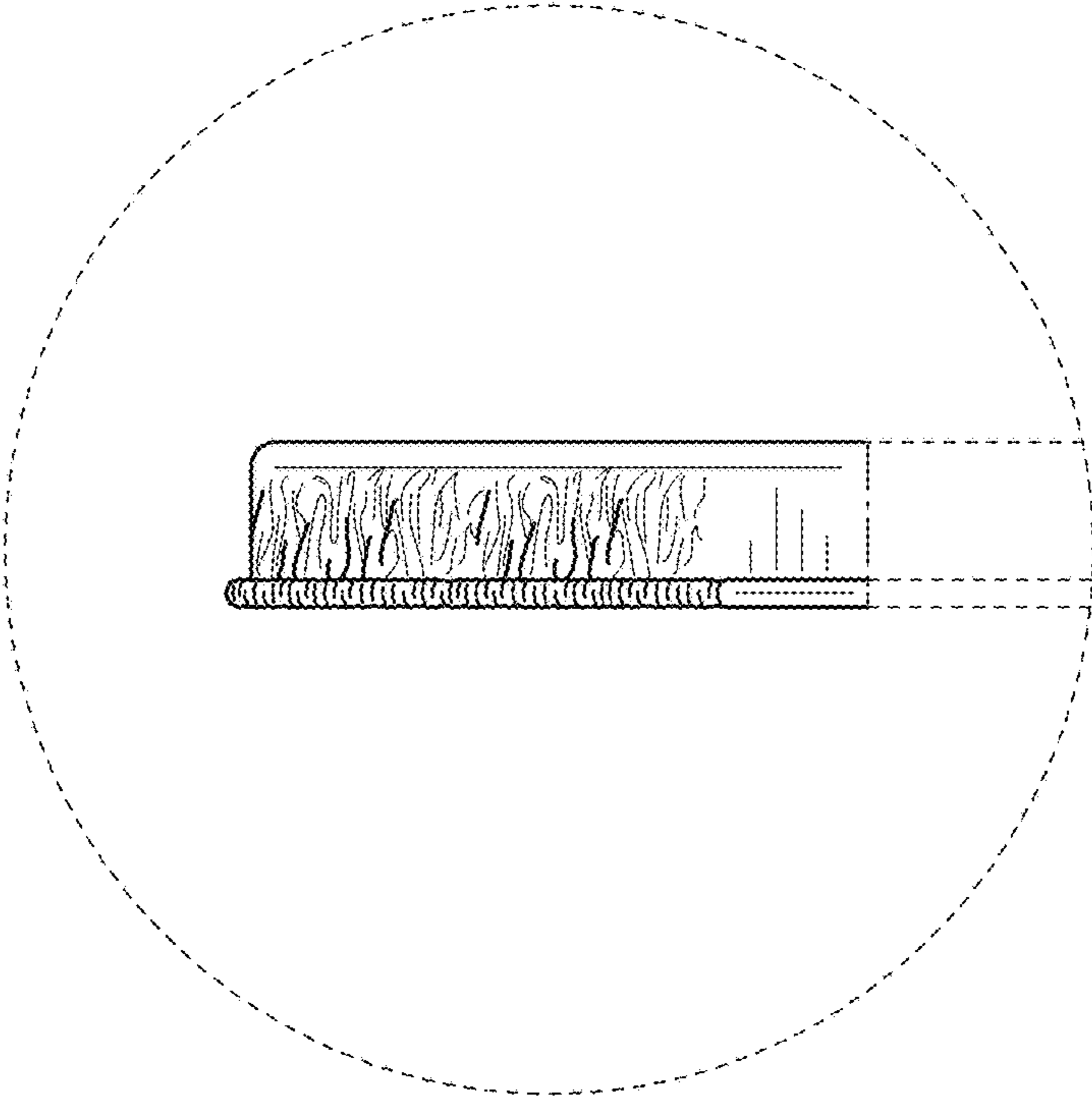


FIG. 11

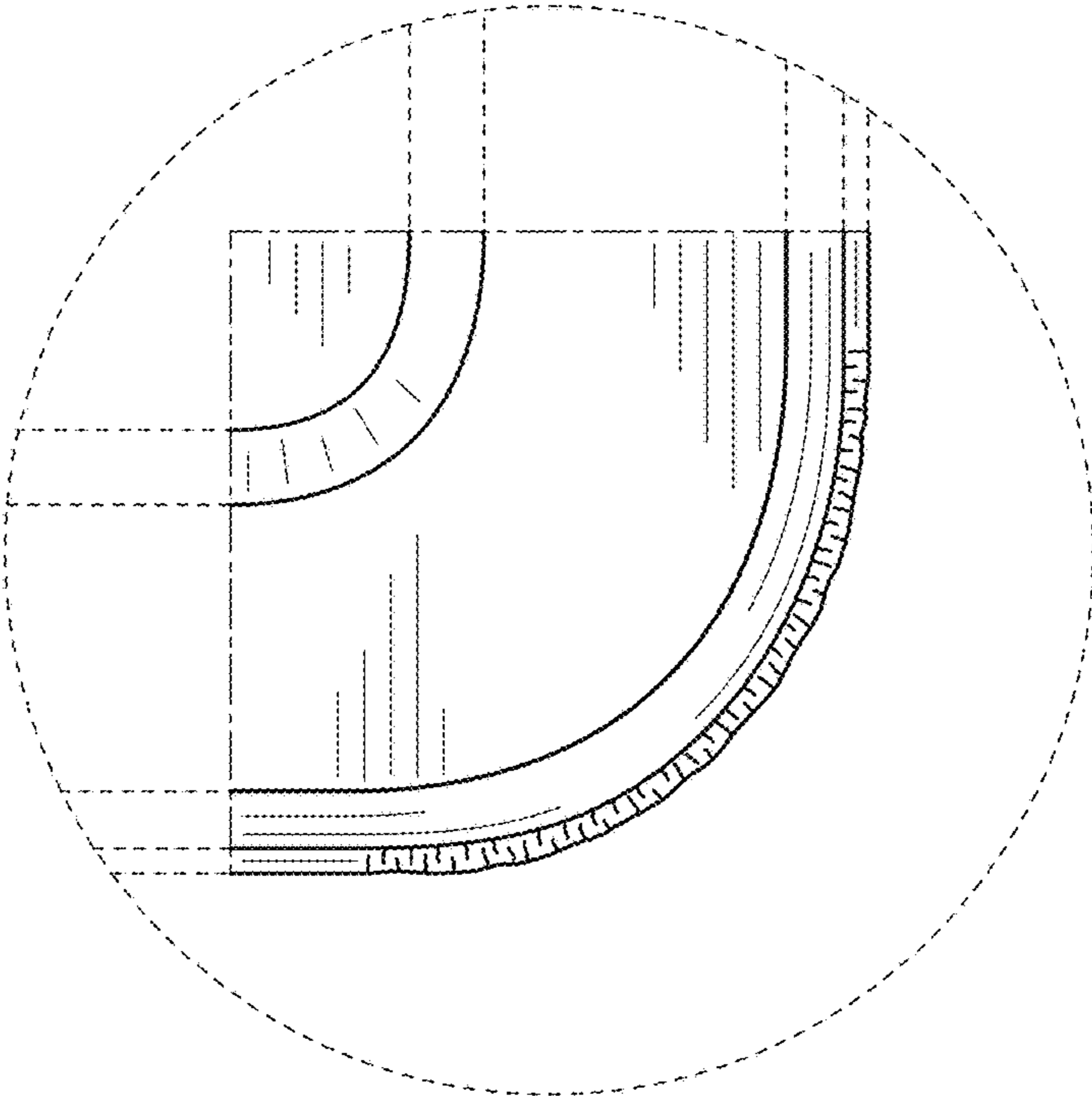


FIG. 12

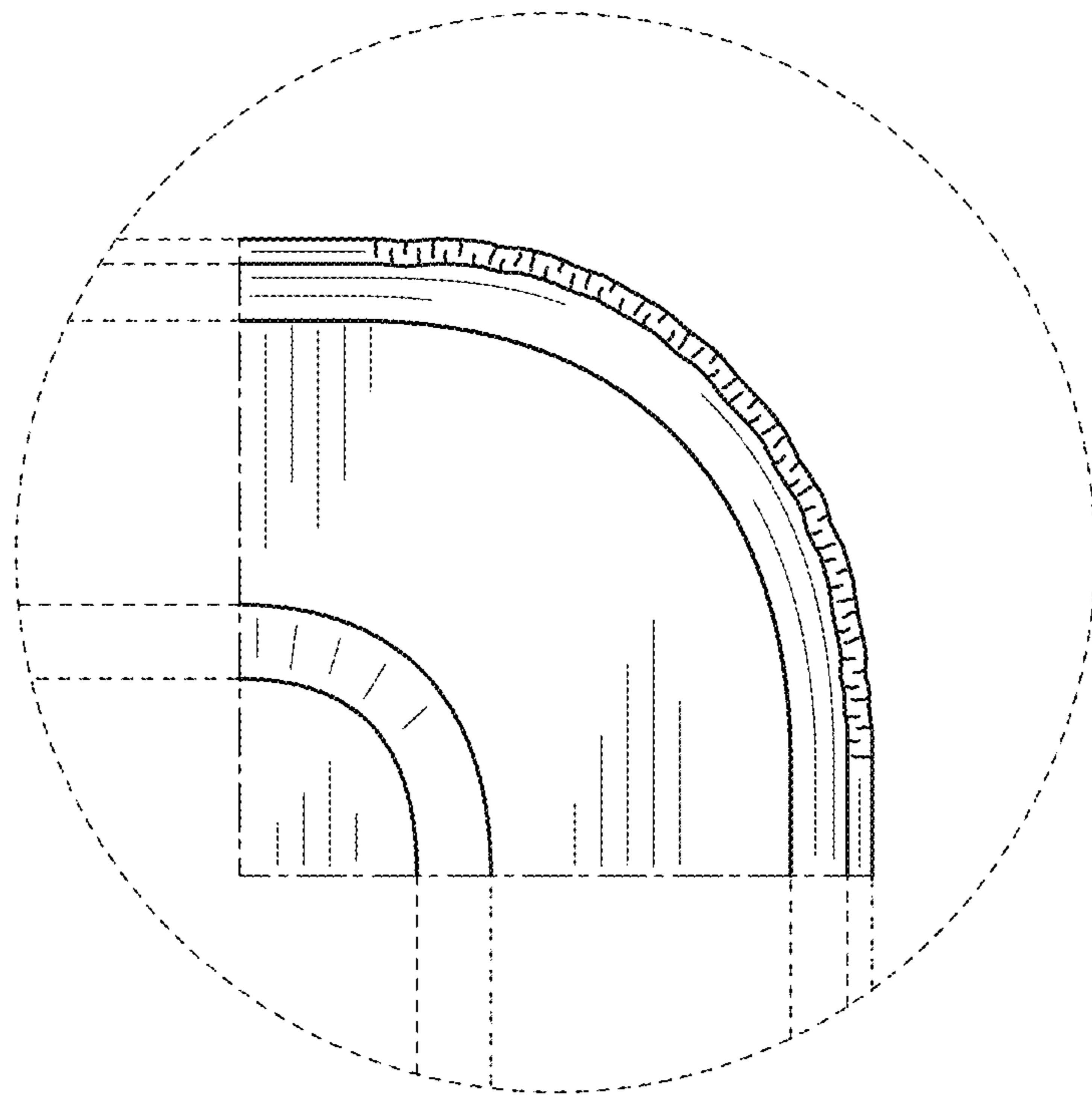


FIG. 13

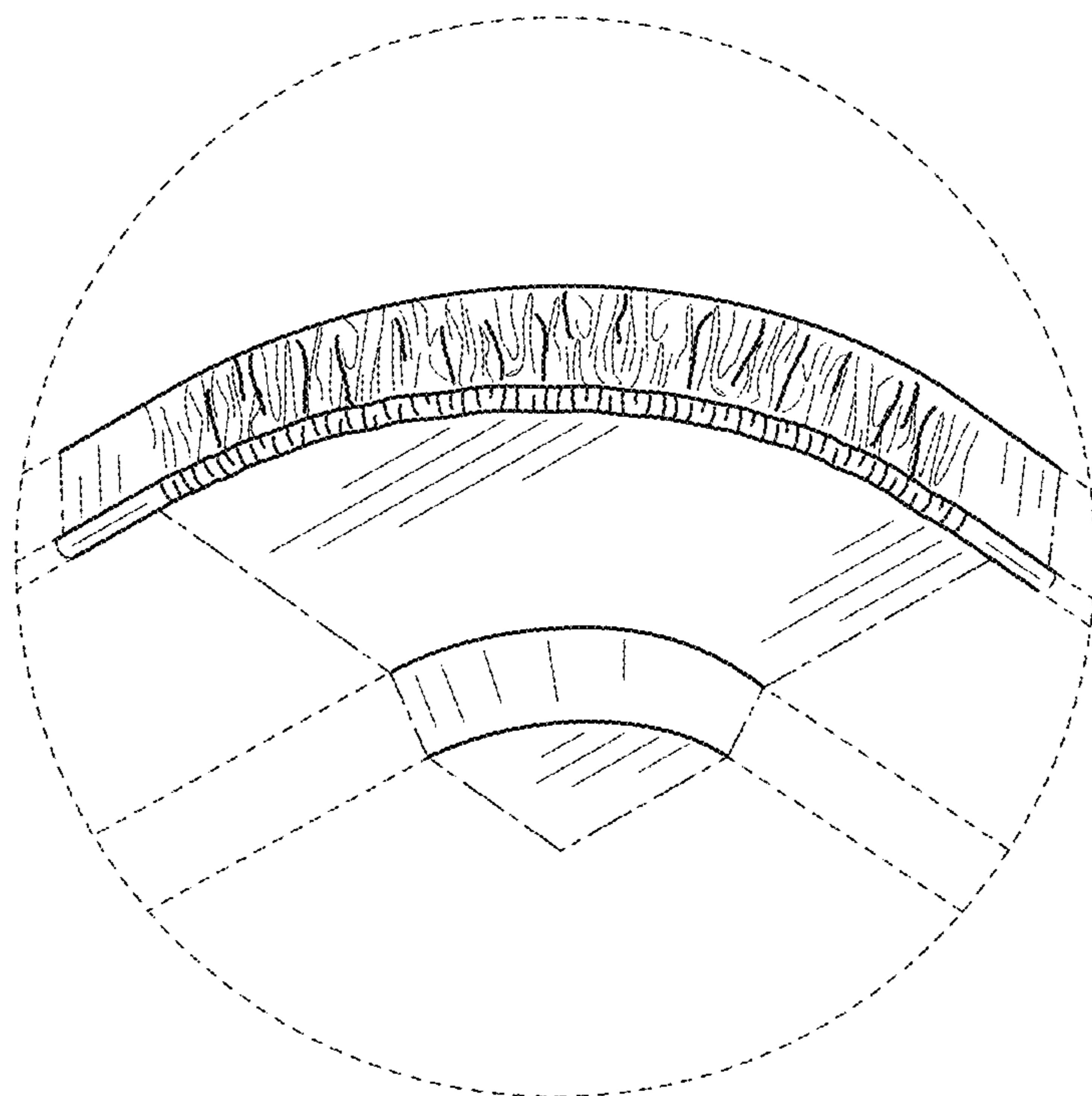


FIG. 14