



(12) **United States Design Patent** (10) **Patent No.:** **US D802,360 S**
Rummel et al. (45) **Date of Patent:** **** Nov. 14, 2017**

(54) **LID FOR A DRINKING VESSEL**
 (71) Applicant: **BRITA GMBH**, Taunusstein (DE)
 (72) Inventors: **Christian Rummel**, Benningen (DE);
Tim Storti, Schwieberdingen (DE)
 (73) Assignee: **BRITA GMBH**, Taunusstein (DE)
 (**) Term: **15 Years**

D724,896 S 3/2015 Williams
 D736,562 S 8/2015 Green
 D752,916 S * 4/2016 Goodwin D7/392.1
 D784,084 S * 4/2017 Bartlett D7/511
 (Continued)

FOREIGN PATENT DOCUMENTS

DE 49912013-0001 2/2000
 DE 40011218-0001 11/2000
 (Continued)

(21) Appl. No.: **29/574,755**
 (22) Filed: **Aug. 18, 2016**

OTHER PUBLICATIONS

“Brita Bottle Lets You Fill and Go”. Found online Jun. 29, 2017 at retailworldmagazine.com.au. Page dated Sep. 9, 2016. Retrieved from https://www.retailworldmagazine.com.au/brita-bottle-lets-fill-go/*
 (Continued)

(30) **Foreign Application Priority Data**

Mar. 24, 2016 (EM) 003 040 906

(51) **LOC (10) Cl.** **07-01**
 (52) **U.S. Cl.**
 USPC **D7/392.1**
 (58) **Field of Classification Search**
 USPC D7/391, 392, 392.1, 396.1, 396.2, 397,
 D7/398, 509, 510, 511, 543; D9/435,
 D9/436, 438, 447, 449, 450; D10/46.2,
 D10/46.3
 CPC B65D 47/06
 See application file for complete search history.

Primary Examiner — Robert M. Spear
Assistant Examiner — Kendra L Hamilton
 (74) *Attorney, Agent, or Firm* — Hudak, Shunk & Farine
 Co. LPA

(57) **CLAIM**

The ornamental design for a lid for a drinking vessel, as shown and described.

DESCRIPTION

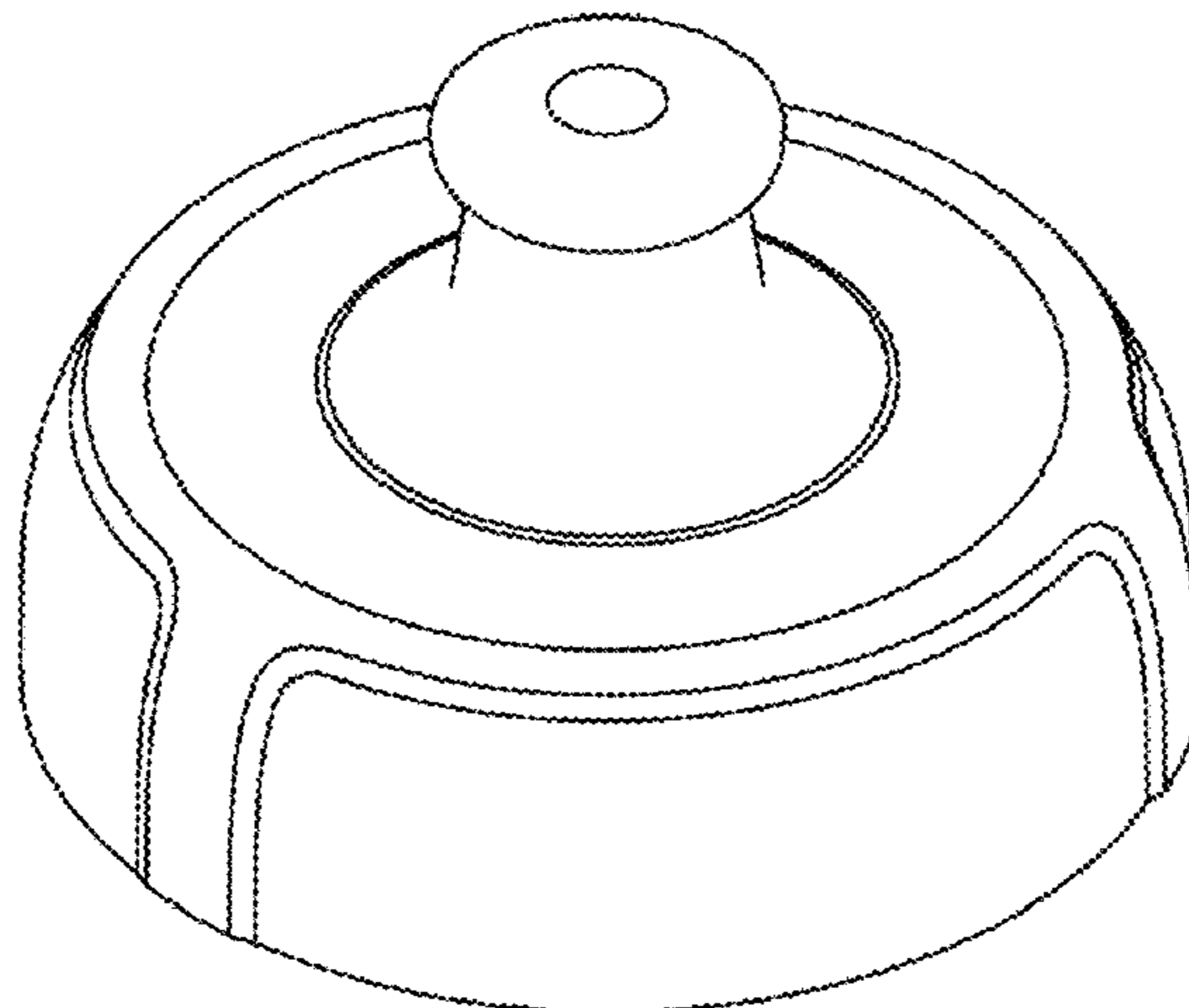
FIG. 1 is a top front right perspective view of a lid for a drinking vessel, showing our new design;
 FIG. 2 is a top view thereof;
 FIG. 3 is a bottom view thereof;
 FIG. 4 is a right side view thereof;
 FIG. 5 is a left side view thereof;
 FIG. 6 is a front view thereof; and,
 FIG. 7 is a rear view thereof.
 In FIG. 3, the broken lines depict portions of the lid for a drinking vessel that form no part of the claimed design.

(56) **References Cited**

U.S. PATENT DOCUMENTS

D272,139 S * 1/1984 Boughton D7/510
 5,465,876 A * 11/1995 Crisci B65D 47/243
 215/253
 D508,202 S * 8/2005 Dobson D9/447
 D574,237 S * 8/2008 Yates, III D9/447
 D614,440 S * 4/2010 Cresswell D7/392.1
 D631,285 S * 1/2011 Smiedt D7/392.1
 D637,490 S * 5/2011 McKinney D9/447
 D654,793 S * 2/2012 Rosbach D9/436
 D691,420 S * 10/2013 McIntire D7/510
 D699,516 S 2/2014 Kim

1 Claim, 7 Drawing Sheets



(56)

References Cited

U.S. PATENT DOCUMENTS

2013/0105434 A1* 5/2013 Levy B65D 51/248
215/228
2015/0232318 A1* 8/2015 Meldeau B67D 3/0019
222/189.06

FOREIGN PATENT DOCUMENTS

DE 402010002629-0001 5/2012
DE 402012004085-0012 9/2012
DE 402012004085-0023 9/2012
DE 402012004085-0025 9/2012
EM 000605902-0001 10/2006
EM 000605902-0002 10/2006
JP 1391631 S 7/2009
JP 1509480 S 12/2012

OTHER PUBLICATIONS

“6 Best Water Bottles”. Found online Jun. 9, 2017 at prevention.com. Page dated Nov. 16, 2011. Retrieved from <http://www.prevention.com/fitness/fitness-tips/best-bpa-free-water-bottles-for-your-workout>.*

“Bundle: 2 Items—Brita Sport Water Filter Bottle”. Found online Jun. 27, 2019 at amazon.com. Page dated Nov. 22, 2015. Retrieved from https://www.amazon.com/Bundle-Items-Filter-Bottle-Filters/dp/B018DBUJQM/ref=sr_1_23?ie=UTF8&qid=1498578864&sr=8-23&keywords=brita+sport+bottle.*

“Bevgo Infuser Water Bottle”. Found online Jun. 29, 2017 at amazon.com. Page dated Jan. 25, 2015. Retrieved from https://www.amazon.com/Beygo-Infuser-Water-Bottle-Detachable/dp/B06XBXXG1L/ref=cm_cr_arp_d_product_top?ie=UTF8.*

* cited by examiner

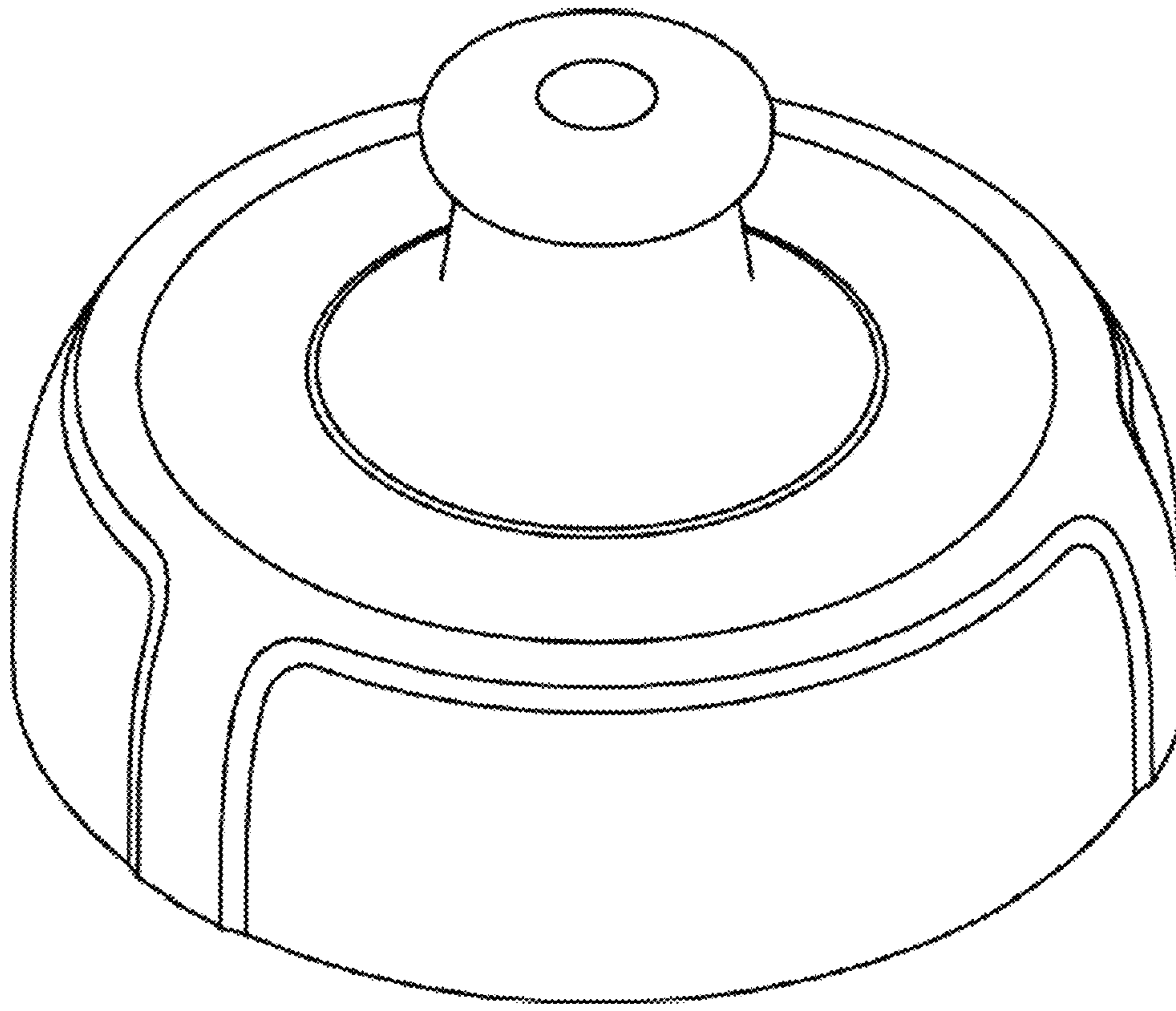


FIG. 1

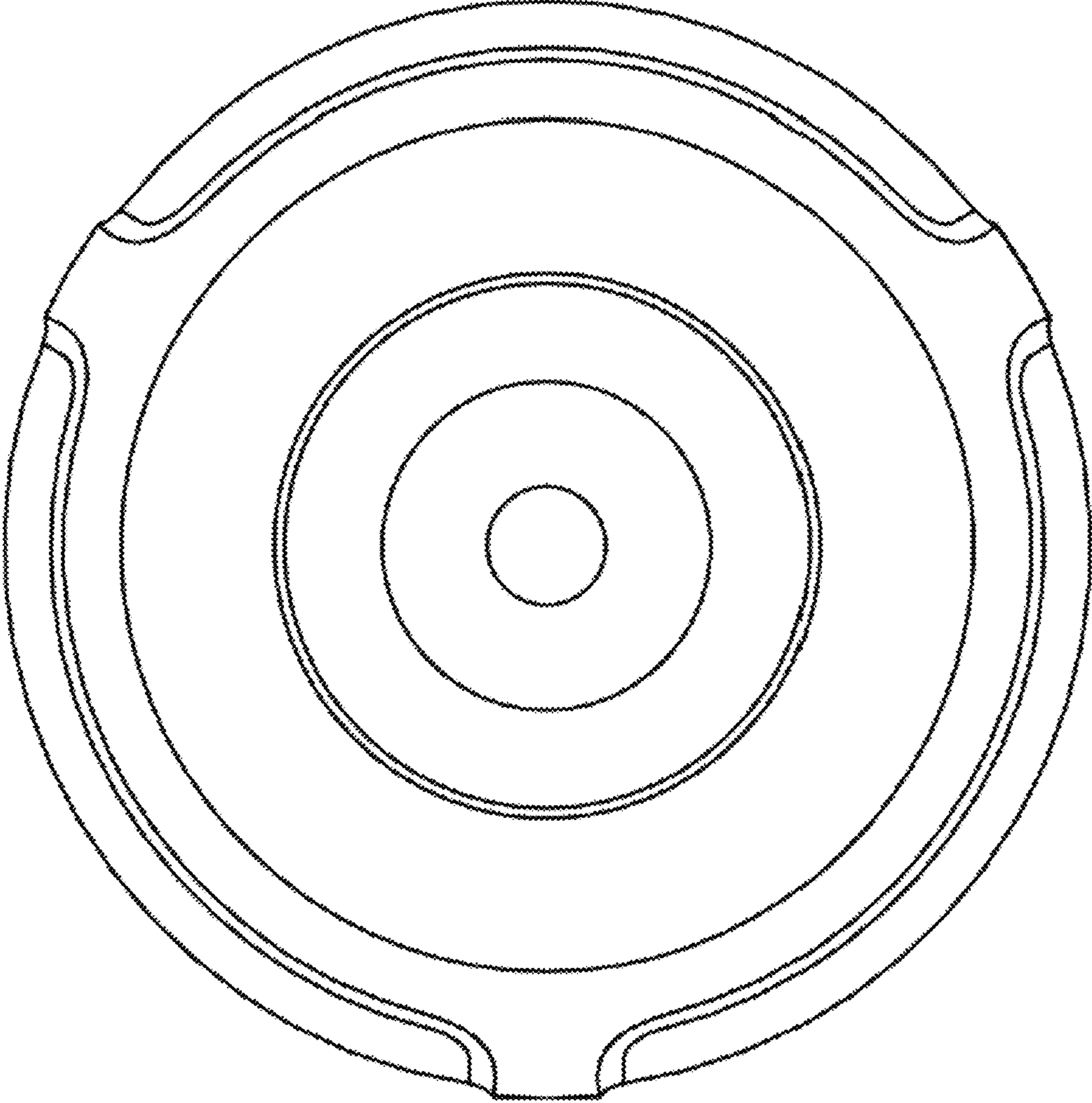


FIG. 2

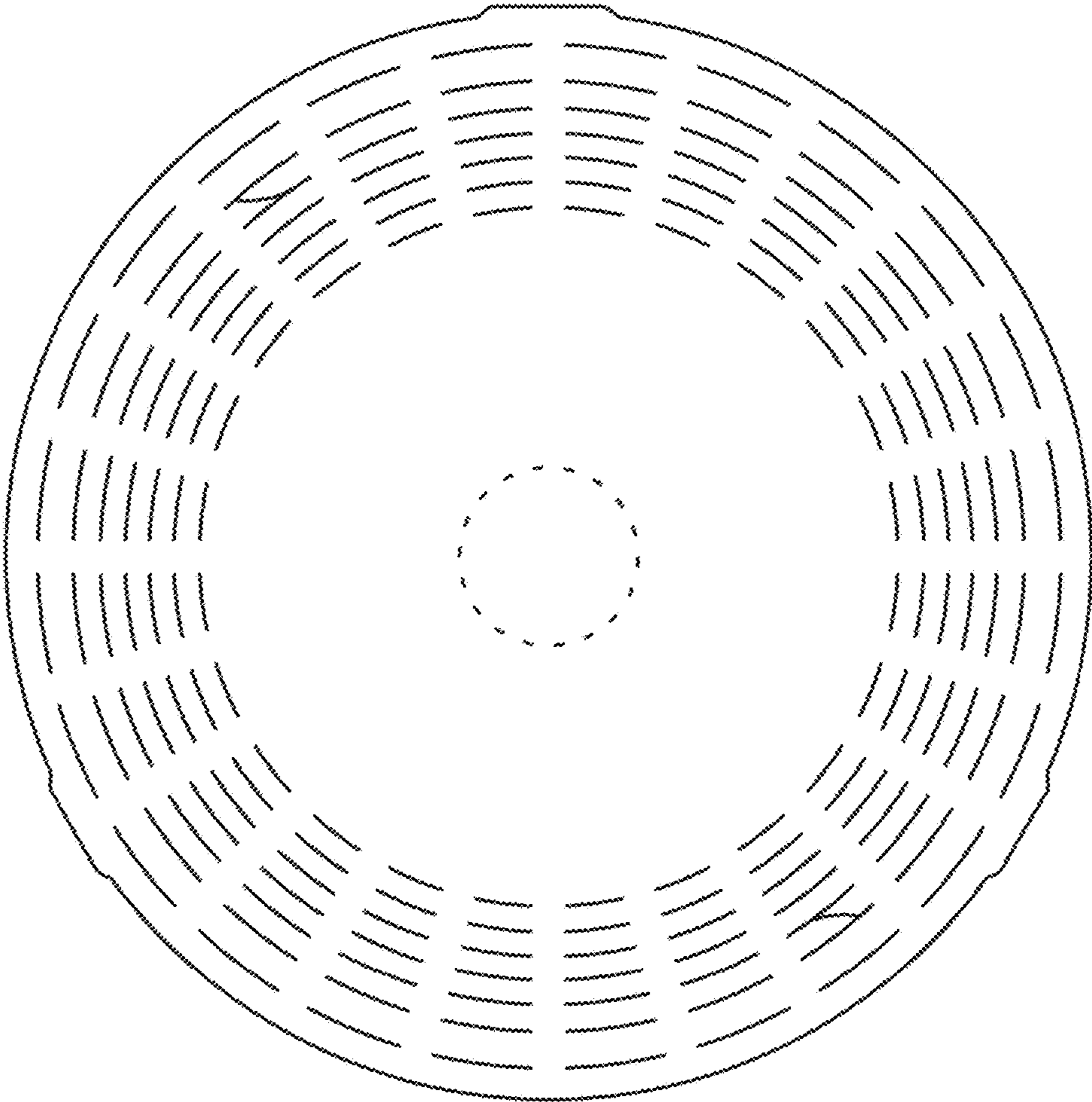


FIG. 3

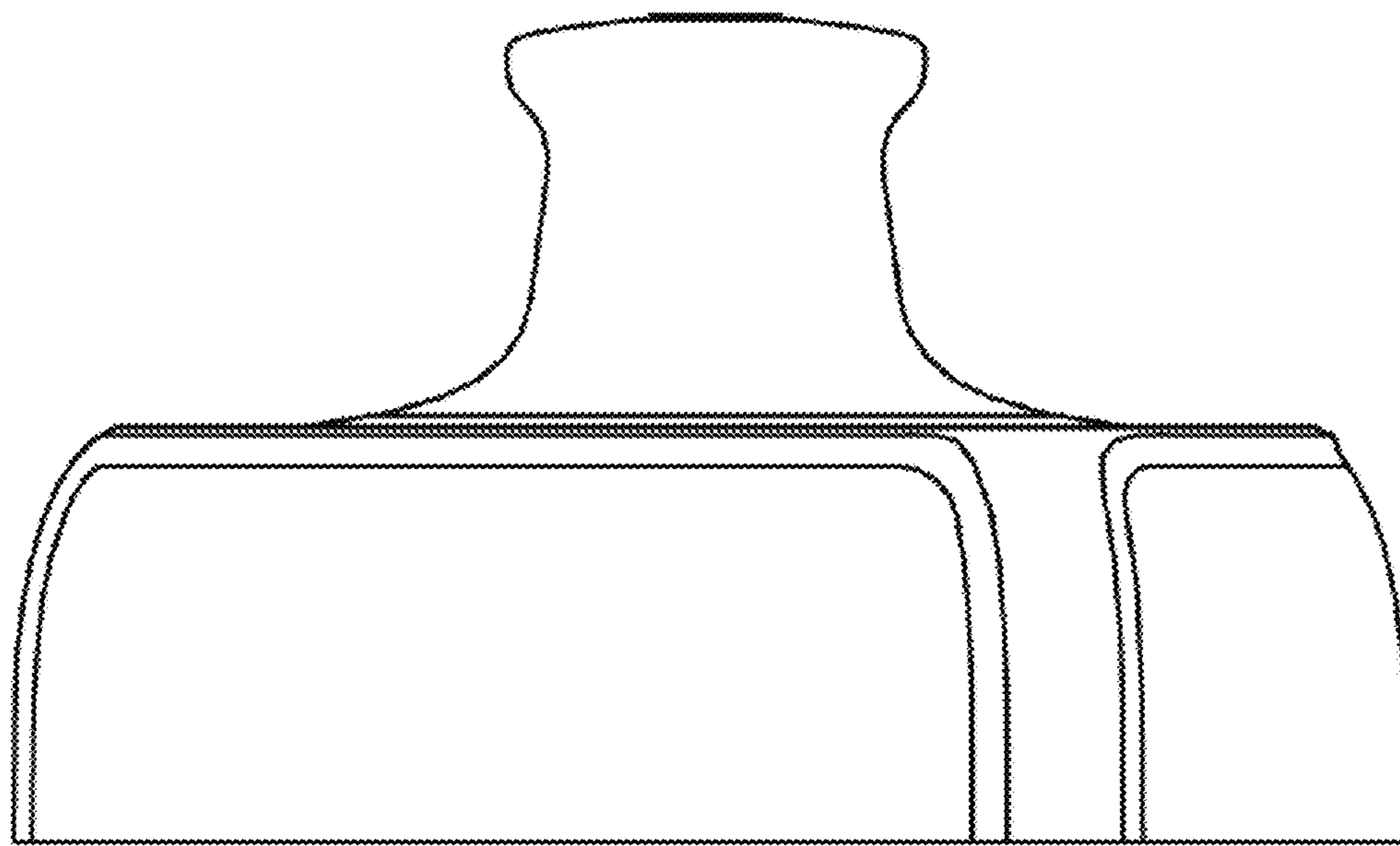


FIG. 4

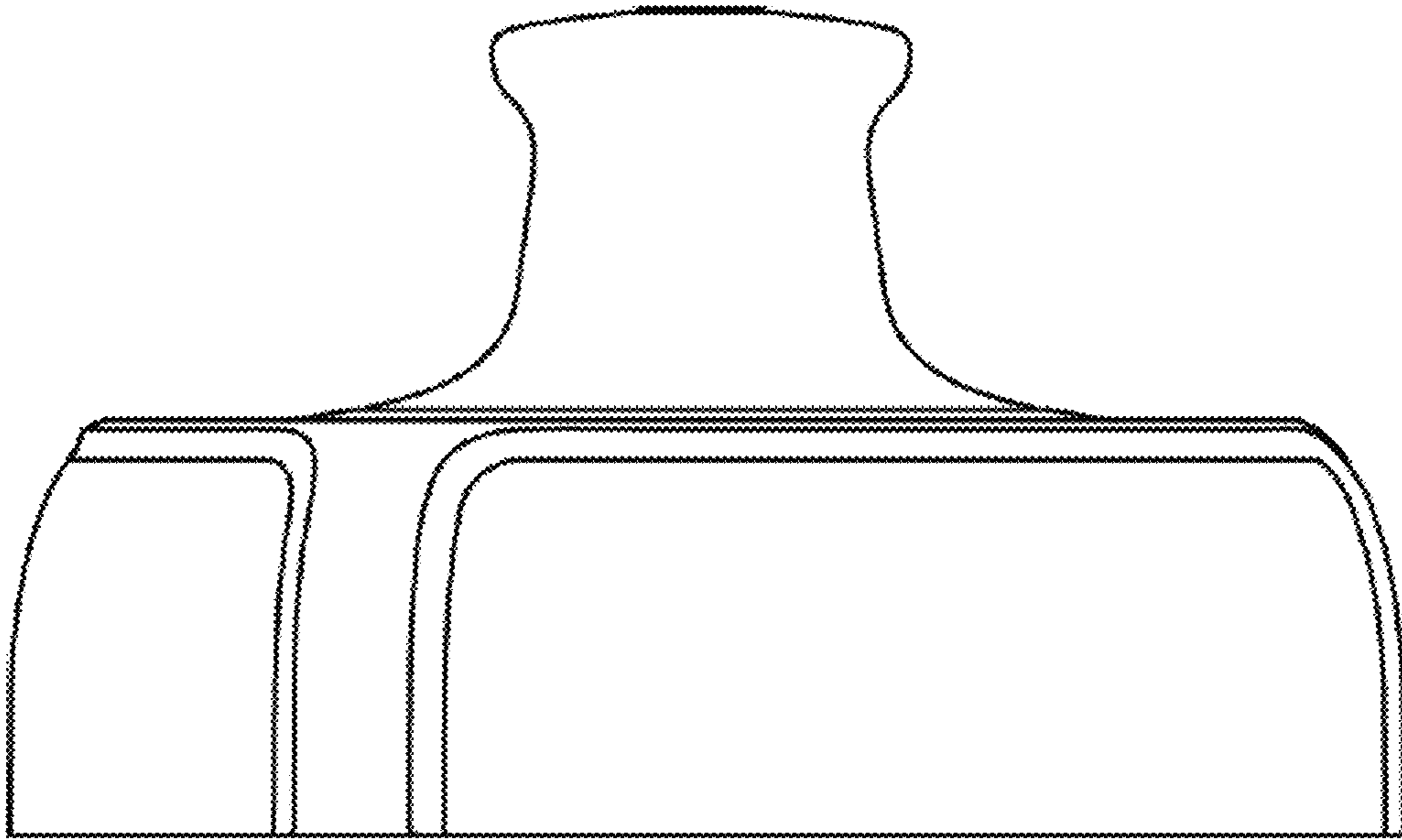


FIG. 5

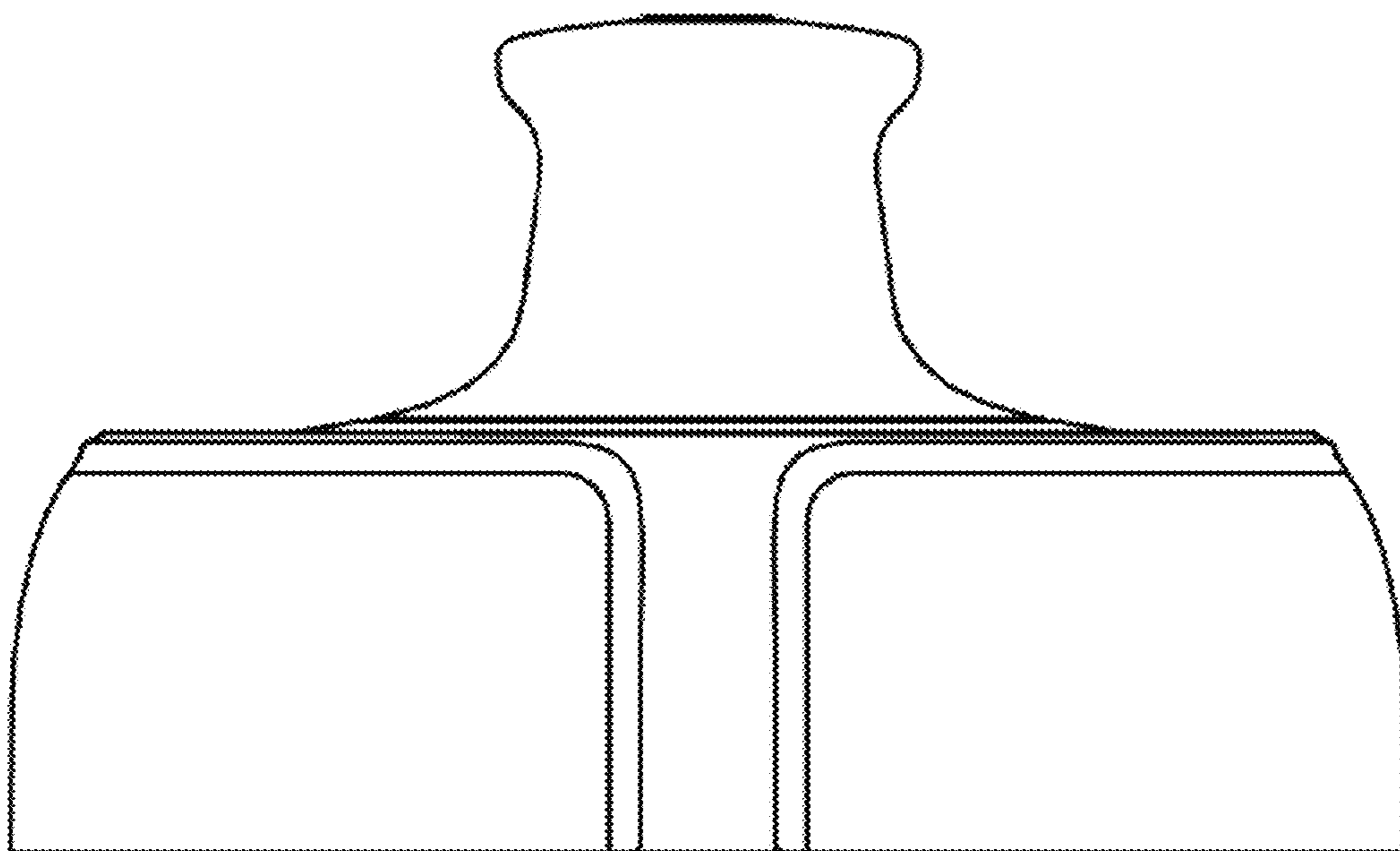


FIG. 6

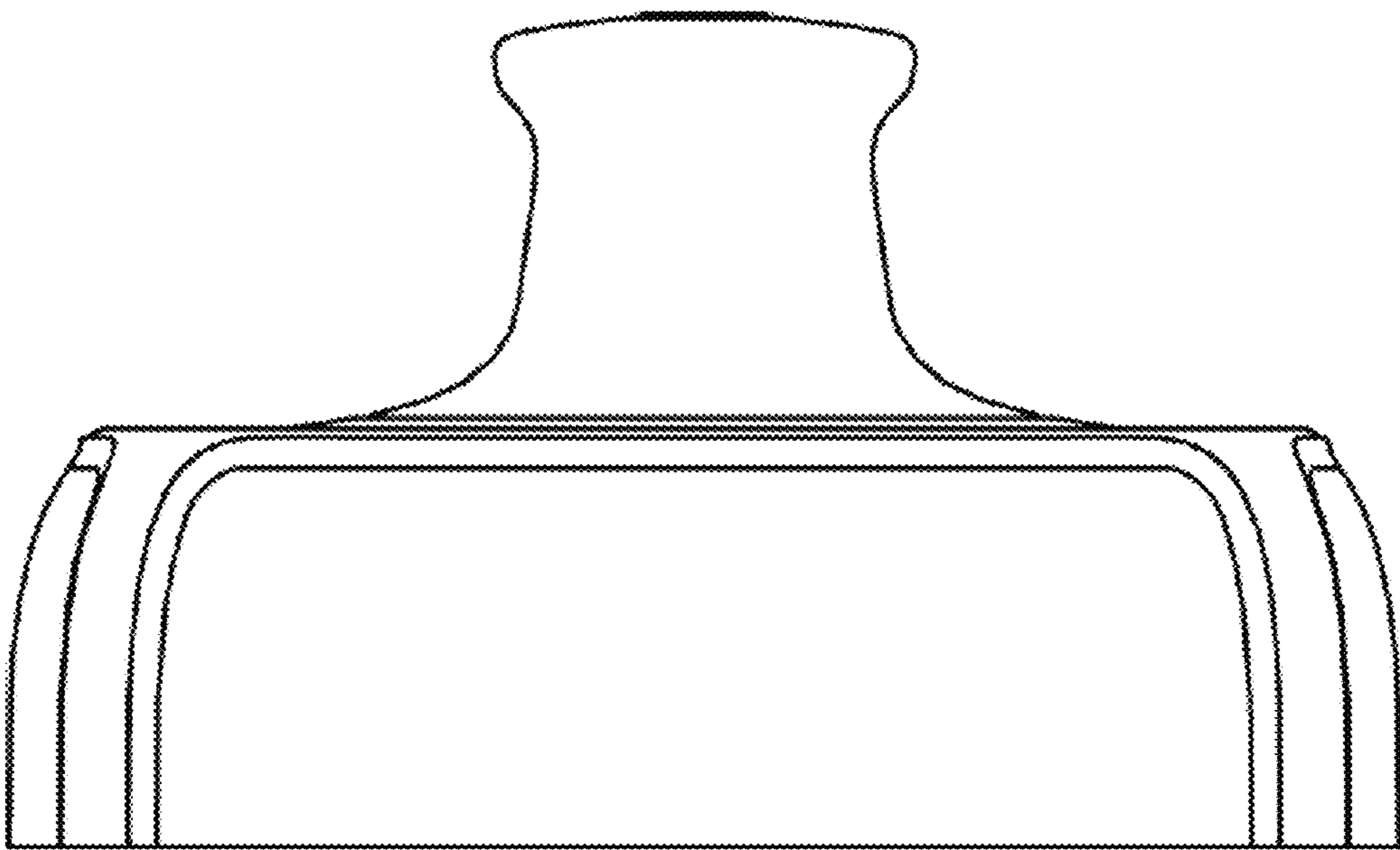


FIG. 7