



US00D802359S

(12) **United States Design Patent**
Thomas

(10) **Patent No.:** **US D802,359 S**

(45) **Date of Patent:** **** Nov. 14, 2017**

(54) **MICROWAVE OVEN DISH STACKER COVER**

(71) Applicant: **Howard Thomas**, Liberty, TX (US)

(72) Inventor: **Howard Thomas**, Liberty, TX (US)

(**) Term: **15 Years**

(21) Appl. No.: **29/534,463**

(22) Filed: **Jul. 29, 2015**

(51) **LOC (10) Cl.** **07-02**

(52) **U.S. Cl.**

USPC **D7/391**

(58) **Field of Classification Search**

USPC D6/677.1; D7/350.4, 354, 391, 392, D7/392.1, 393, 397, 409, 552.2, 629; D9/414, 424-432, 435, 451-452
CPC A47B 31/00; A47G 19/26; A47J 36/027; A47J 36/06; A47J 37/0745; A47J 37/10; A47J 37/101; B65D 21/0209; B65D 43/00; B65D 43/02; B65D 43/022; B65D 43/161; B65D 43/162; B65D 45/00; B65D 45/16; B65D 45/18; B65D 51/16; B65D 51/1683; B65D 51/1688; B65D 51/1694; B65F 1/1615; H05B 6/6408
See application file for complete search history.

(56) **References Cited**

U.S. PATENT DOCUMENTS

3,180,248 A * 4/1965 Mell A47J 37/0745
126/25 R
3,306,311 A * 2/1967 Buerger A47G 19/26
220/6

3,858,529 A * 1/1975 Salladay A47B 31/00
108/103
D248,363 S * 7/1978 Rinaldi D7/354
D286,129 S * 10/1986 Bowen D7/402
D288,878 S * 3/1987 Munson D6/677.1
D337,479 S * 7/1993 Doi D7/323
5,726,428 A * 3/1998 Christensen H05B 6/6408
126/338
D442,423 S * 5/2001 Monard D7/350.4
D493,677 S * 8/2004 Meyer D7/610
D558,526 S * 1/2008 Molina D7/550.1
7,667,168 B2 * 2/2010 Smith H05B 6/6408
126/338

* cited by examiner

Primary Examiner — Ricky Pham

(74) *Attorney, Agent, or Firm* — The Compton Law Firm, P.C.; Scott D. Compton

(57) **CLAIM**

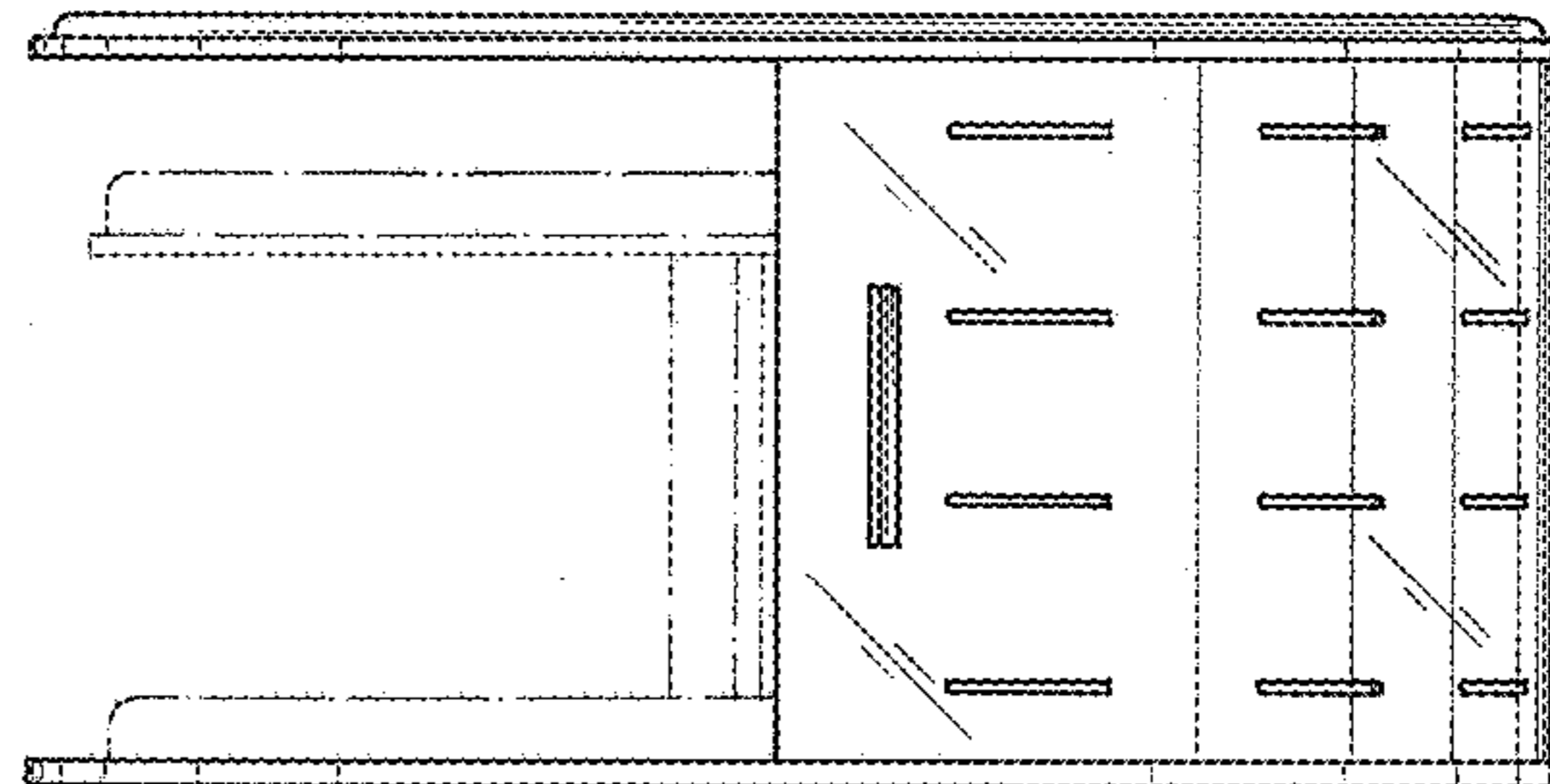
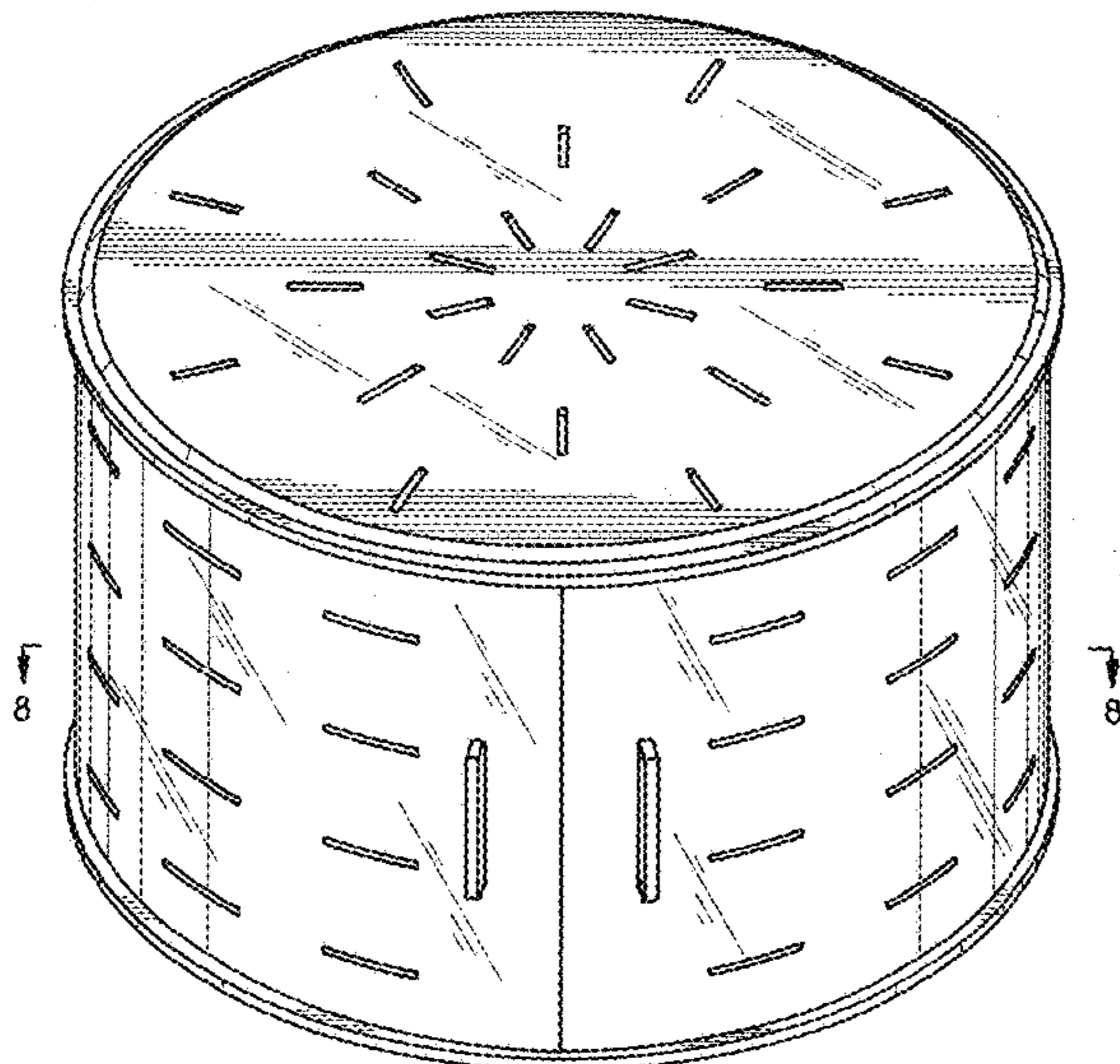
The ornamental design for a microwave oven dish stacker cover, as shown and described.

DESCRIPTION

FIG. 1 is a perspective view of a microwave oven dish stacker cover;
FIG. 2 is a top view thereof;
FIG. 3 is a bottom view thereof;
FIG. 4 is a rear view thereof with doors closed;
FIG. 5 is a front view thereof with doors closed;
FIG. 6 is a left side view thereof with doors closed;
FIG. 7 is a right side view thereof with doors open; and,
FIG. 8 is a section view thereof, as seen along section lines 8-8 of FIG. 1.

The broken lines shown in the drawings are for illustrative purposes only and form no part of the claimed design.

1 Claim, 6 Drawing Sheets



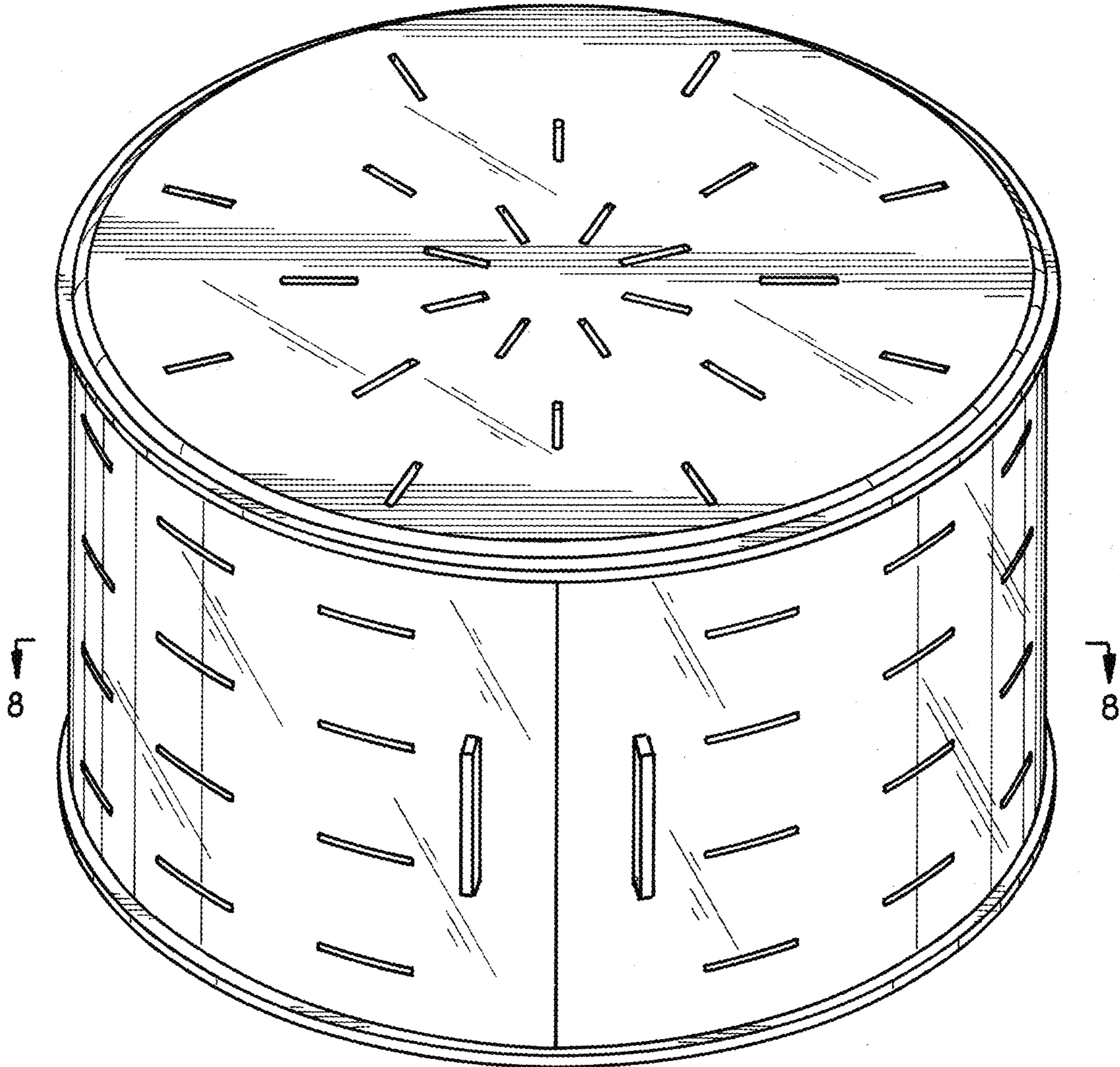


FIG. 1

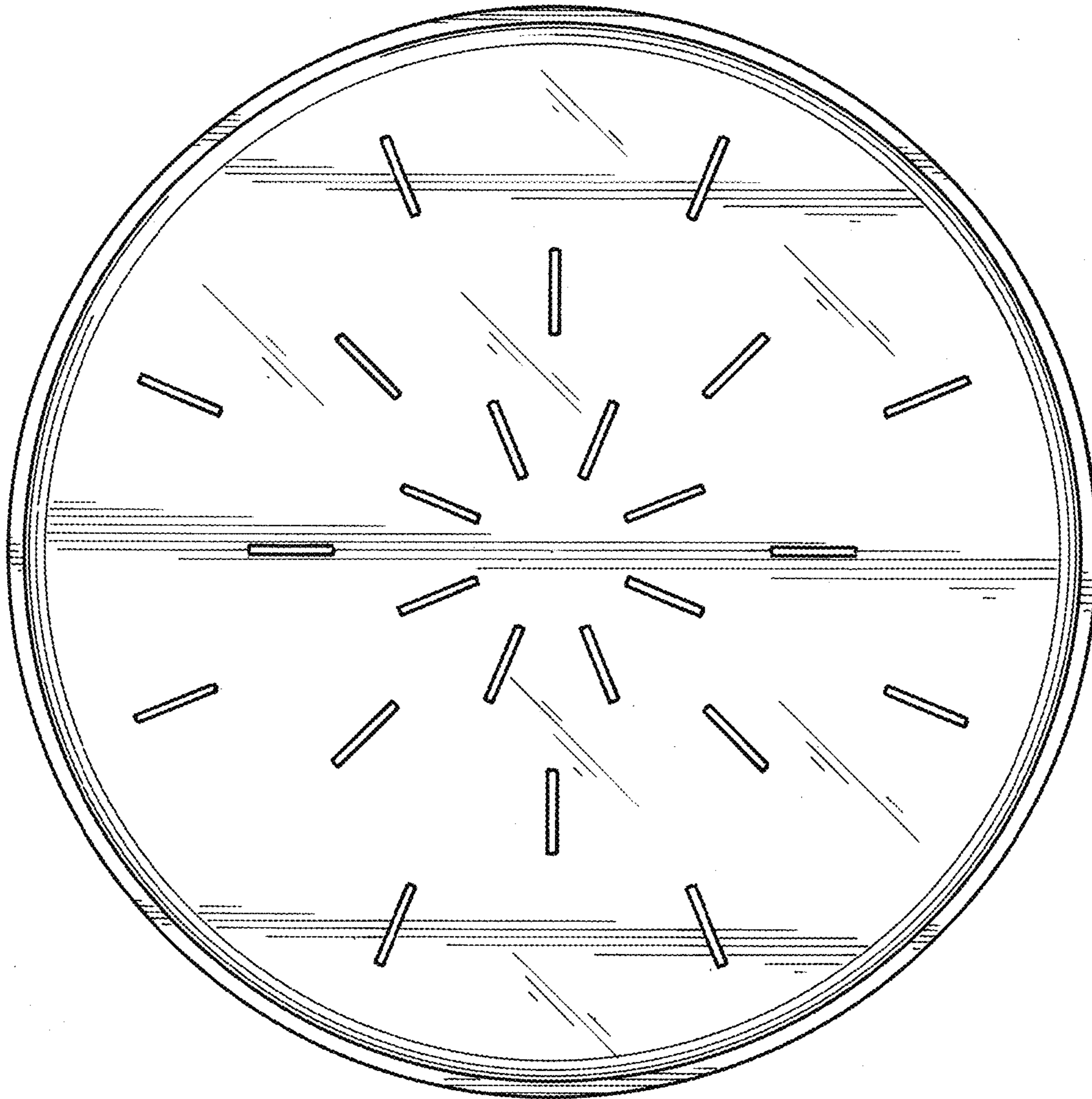


FIG. 2

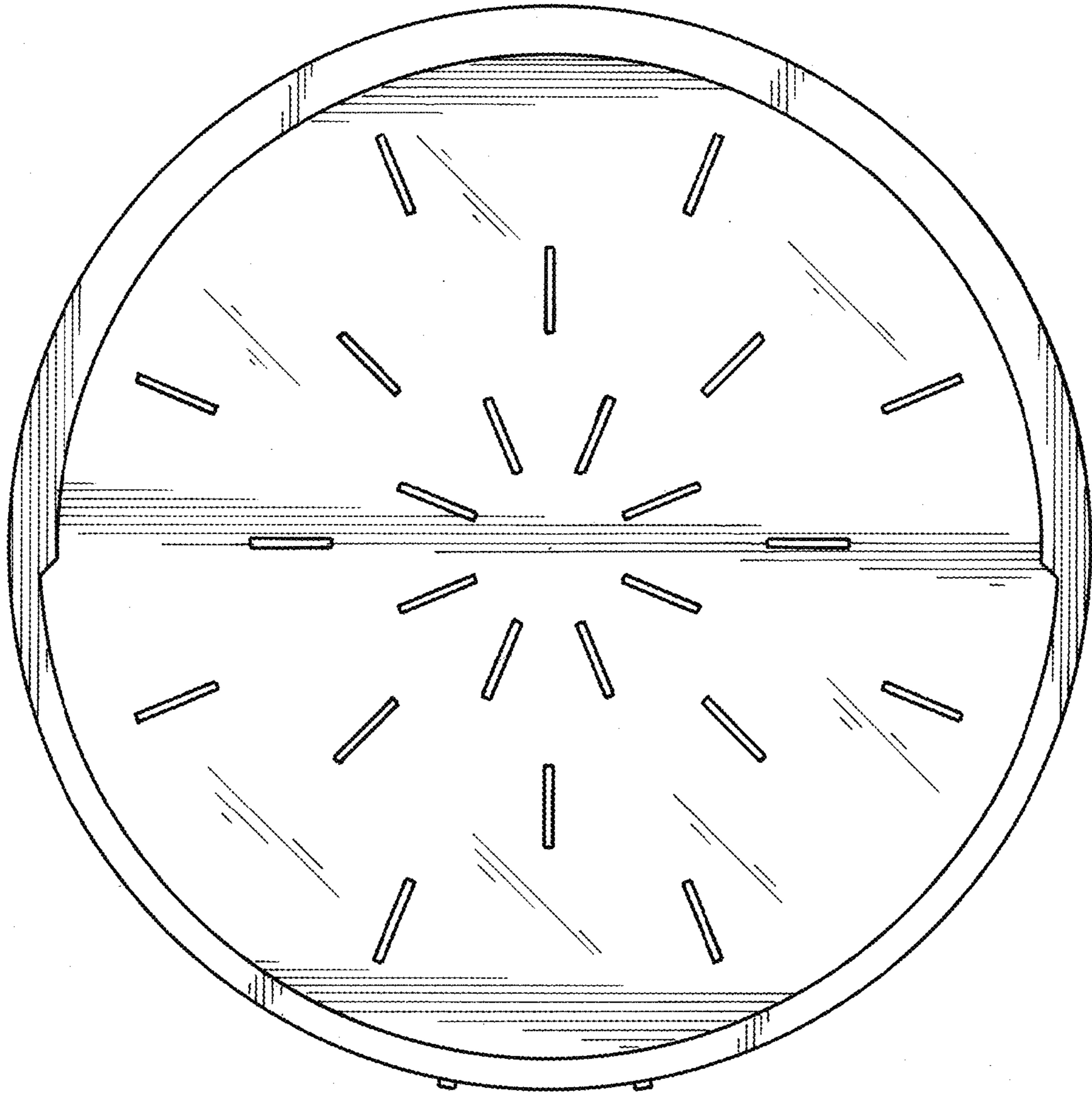


FIG. 3

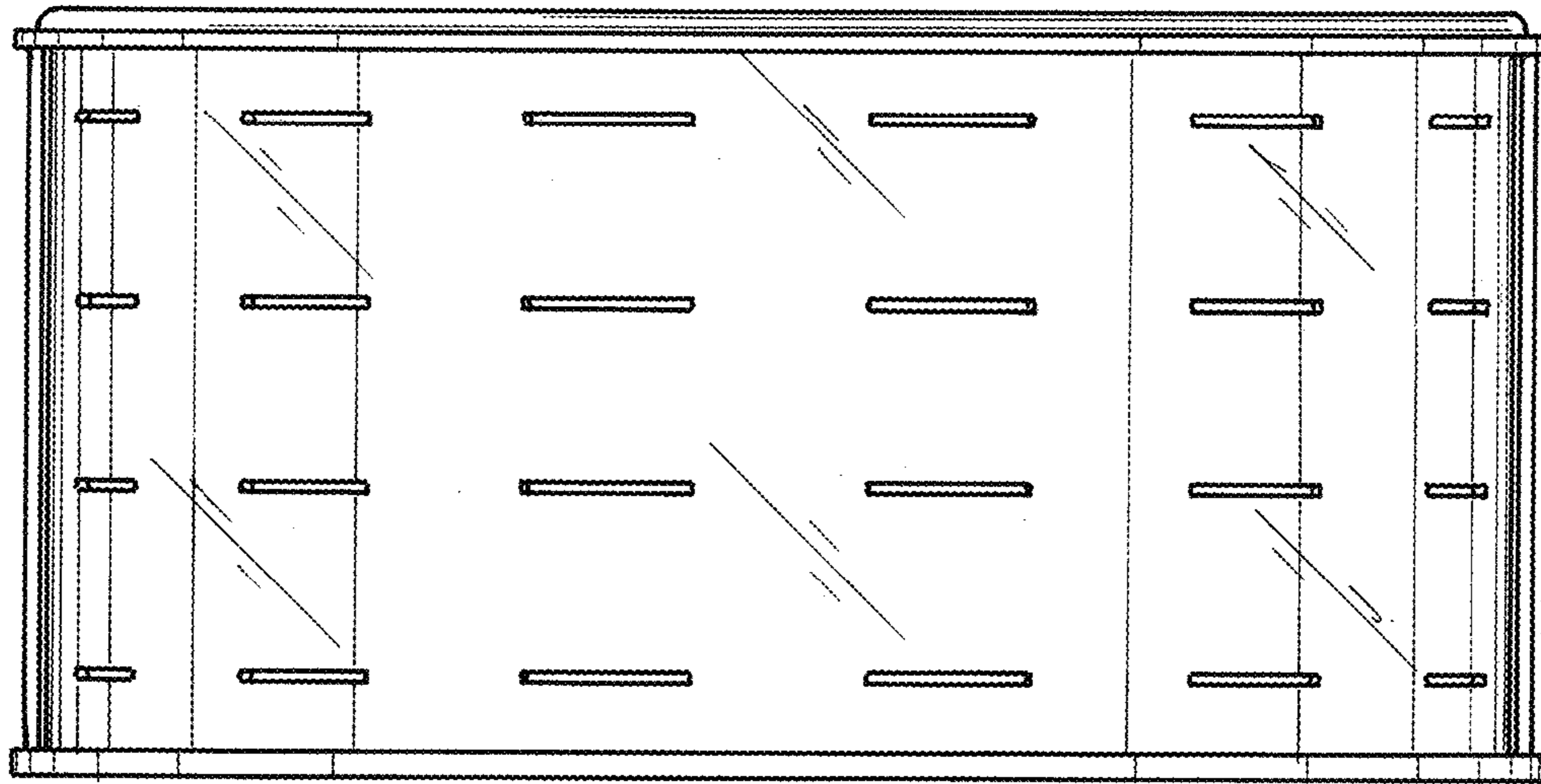


FIG. 4

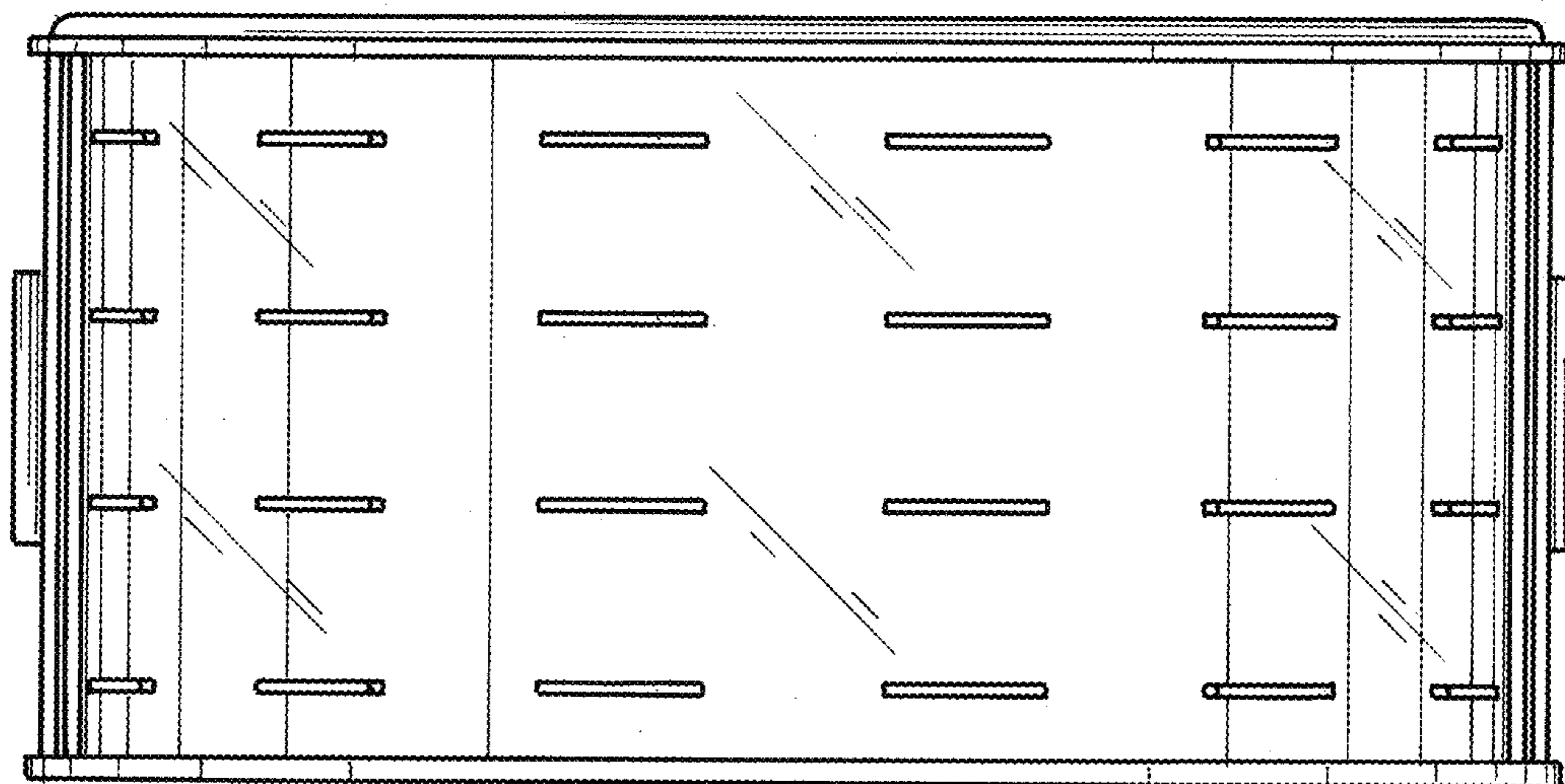


FIG. 5

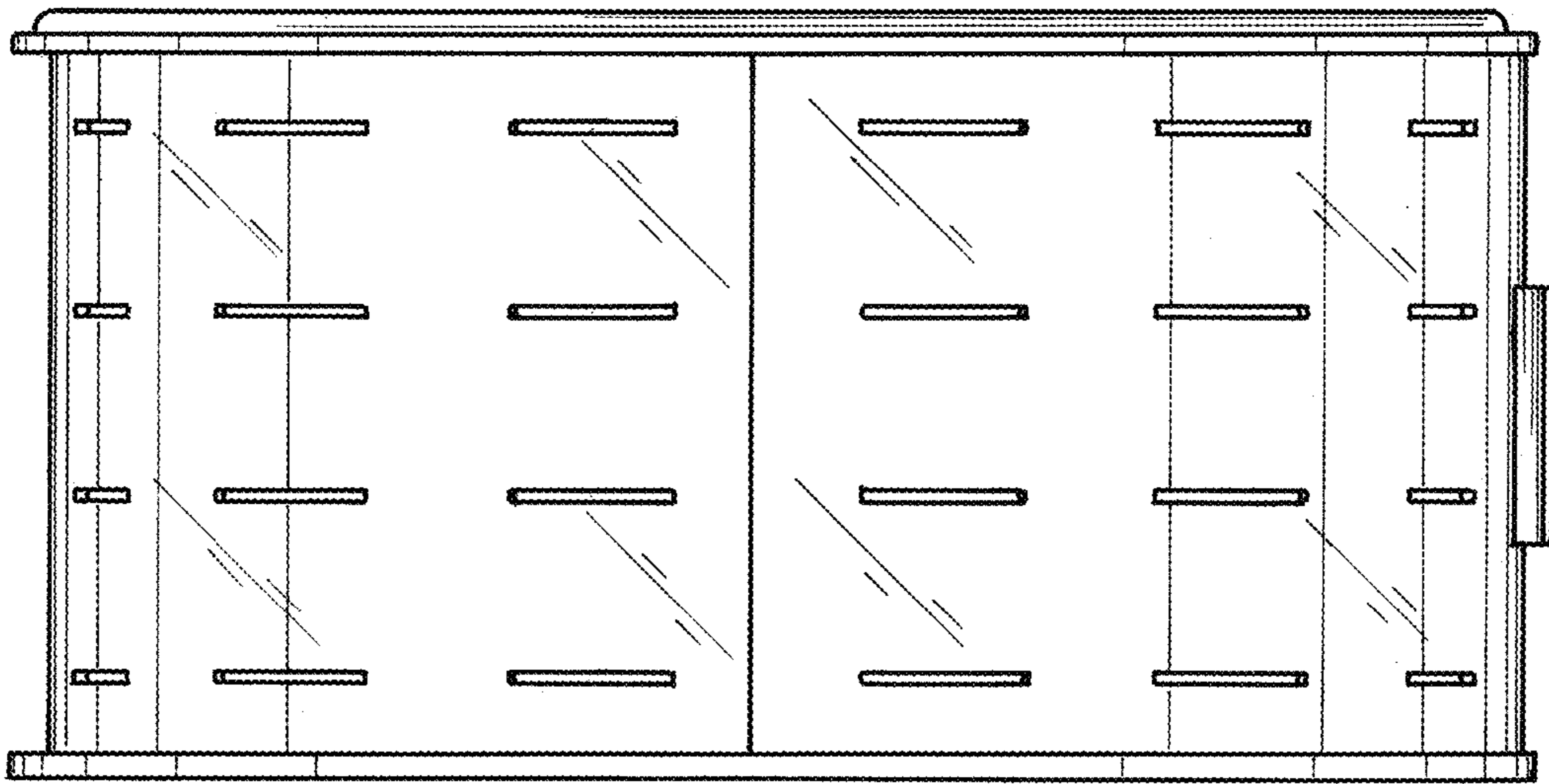


FIG. 6

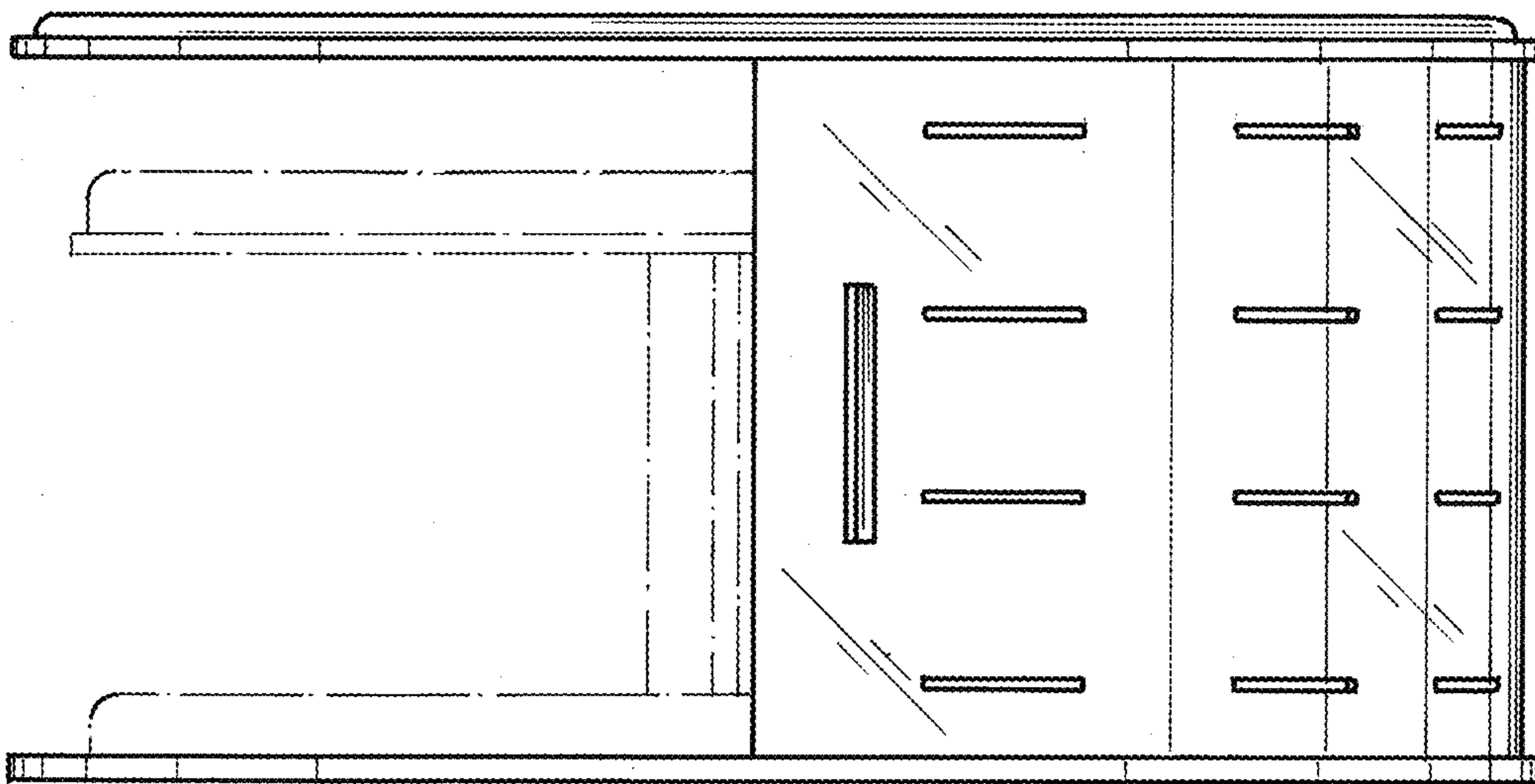


FIG. 7

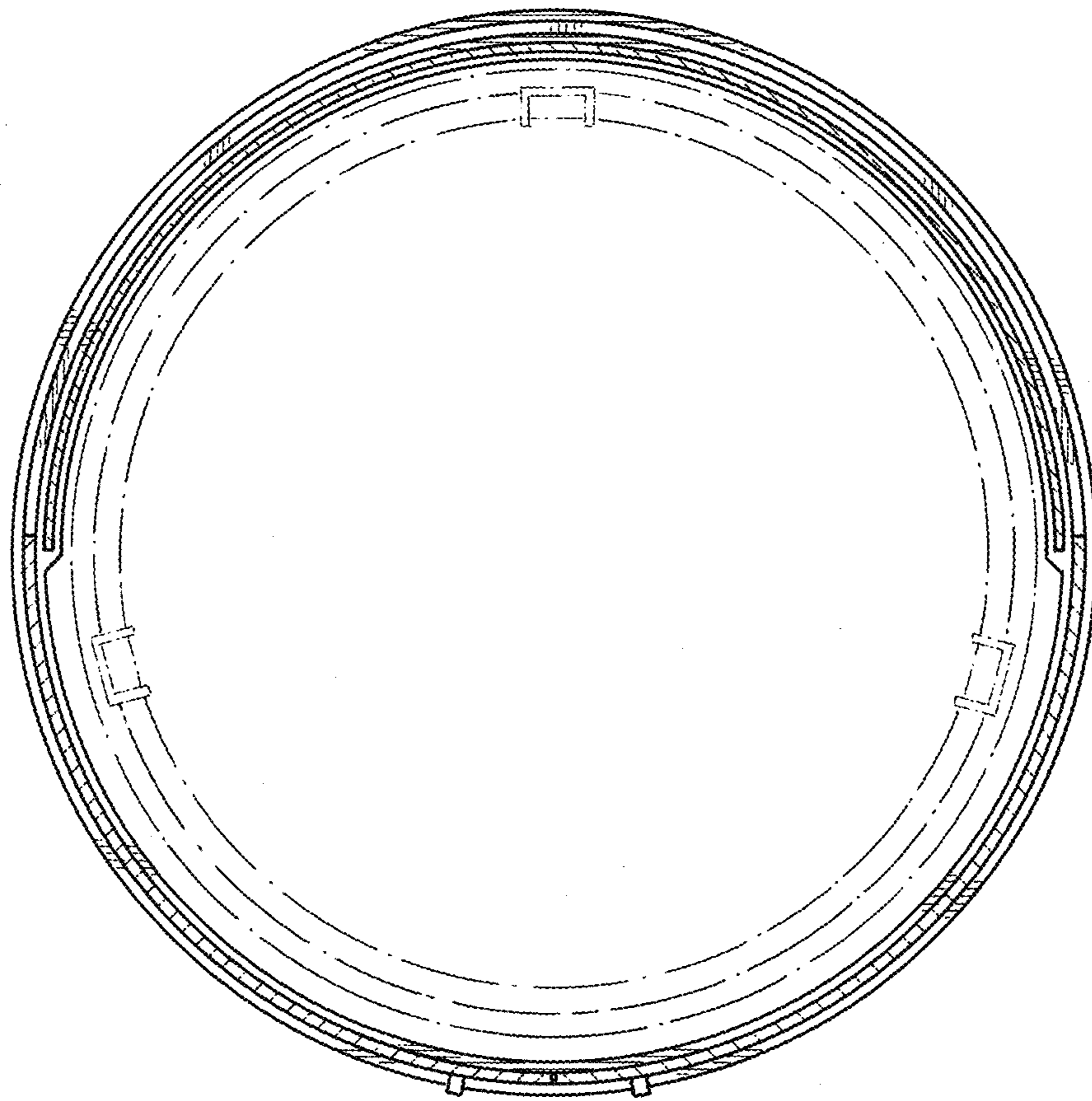


FIG. 8