



US00D802356S

(12) **United States Design Patent** (10) **Patent No.:** **US D802,356 S**
Fabbri (45) **Date of Patent:** **** Nov. 14, 2017**

- (54) **MIXER**
- (71) Applicant: **Iris Fabbri**, Lugano (CH)
- (72) Inventor: **Iris Fabbri**, Lugano (CH)
- (**) Term: **15 Years**
- (21) Appl. No.: **29/553,463**
- (22) Filed: **Feb. 2, 2016**
- (51) **LOC (10) Cl.** **31-00**
- (52) **U.S. Cl.**
USPC **D7/376; D7/300; D7/309**
- (58) **Field of Classification Search**
USPC D7/300, 306, 309, 312-319, 372-376,
D7/378, 379, 381-387, 393, 395, 413,
D7/669
CPC .. A21C 1/02; A21C 1/04; A47J 43/044; A47J
43/042; A47J 43/04409; A47J 43/0722;
A47J 43/0755; A47J 43/04; A47J 43/07;
A47J 43/10; B01F 3/00
See application file for complete search history.

(56) **References Cited**

U.S. PATENT DOCUMENTS

D363,188 S *	10/1995	Saltet	D7/316
D385,747 S *	11/1997	Inoue	D7/311
D404,604 S *	1/1999	Pochopien	D7/309
D426,740 S *	6/2000	Huang	D7/317
D444,026 S *	6/2001	Chaudeurge	D7/384
D449,954 S *	11/2001	Warfel	D7/309
D459,937 S *	7/2002	Thurlow	D7/321
D460,654 S *	7/2002	Thurlow	D7/320
D492,403 S *	6/2004	Iddan	D24/104
D502,043 S *	2/2005	Lin	D7/309

D507,449 S *	7/2005	Burton	D7/309
D561,517 S *	2/2008	Borin	D7/309
D561,518 S *	2/2008	Borin	D7/309
D581,196 S *	11/2008	Kassenaar	D7/306
D588,855 S *	3/2009	Jacquet	D7/309
D592,064 S *	5/2009	Kilany	D9/519
D598,235 S *	8/2009	Cozolino	D7/317
D610,857 S *	3/2010	Pateman	D7/306
D632,921 S *	2/2011	Kang	D7/376
D650,280 S *	12/2011	de Peyerimhoff	D9/454
D666,452 S *	9/2012	Chapman	D7/315
D694,566 S *	12/2013	Harthoorn	D7/306
D710,153 S *	8/2014	Marini	D7/515
D740,080 S *	10/2015	Shao	D7/665
D749,368 S *	2/2016	Risso	D7/602
D760,527 S *	7/2016	Jones	D7/300
D770,860 S *	11/2016	Wampold	D7/608

* cited by examiner

Primary Examiner — Mary Ann Calabrese
Assistant Examiner — Mehri Bajoul

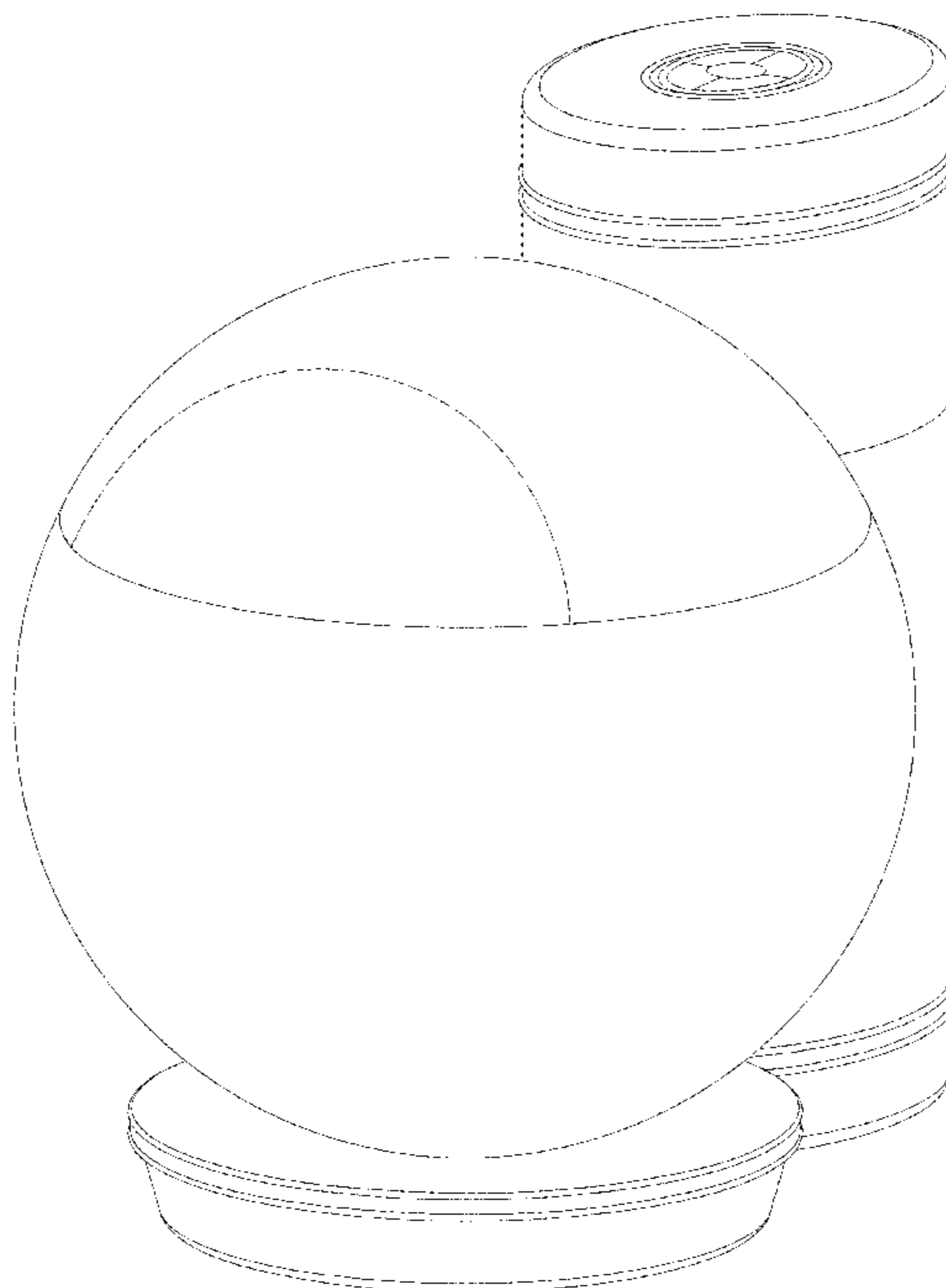
(57) **CLAIM**

The ornamental design for a mixer, as shown and described.

DESCRIPTION

FIG. 1 is a left side elevational view of a mixer showing my new design;
FIG. 2 is a right side elevational view thereof;
FIG. 3 is a bottom plan view thereof;
FIG. 4 is a top plan view thereof;
FIG. 5 is a rear elevational view thereof;
FIG. 6 is a front elevational view thereof; and,
FIG. 7 is a front perspective view thereof.
The broken lines shown in the drawings represent portions of the mixer that form no part of the claimed design.

1 Claim, 6 Drawing Sheets



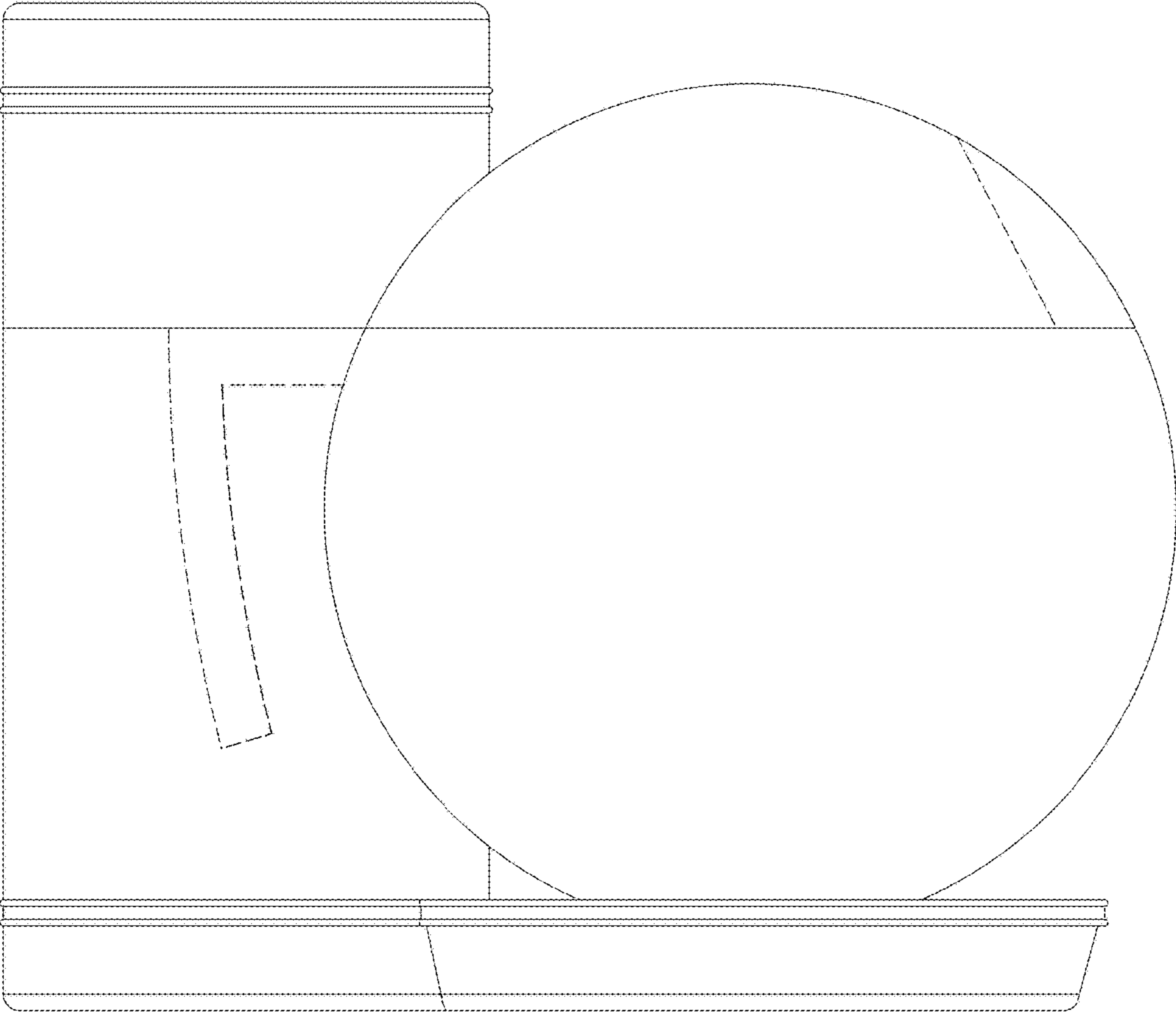


fig. 1

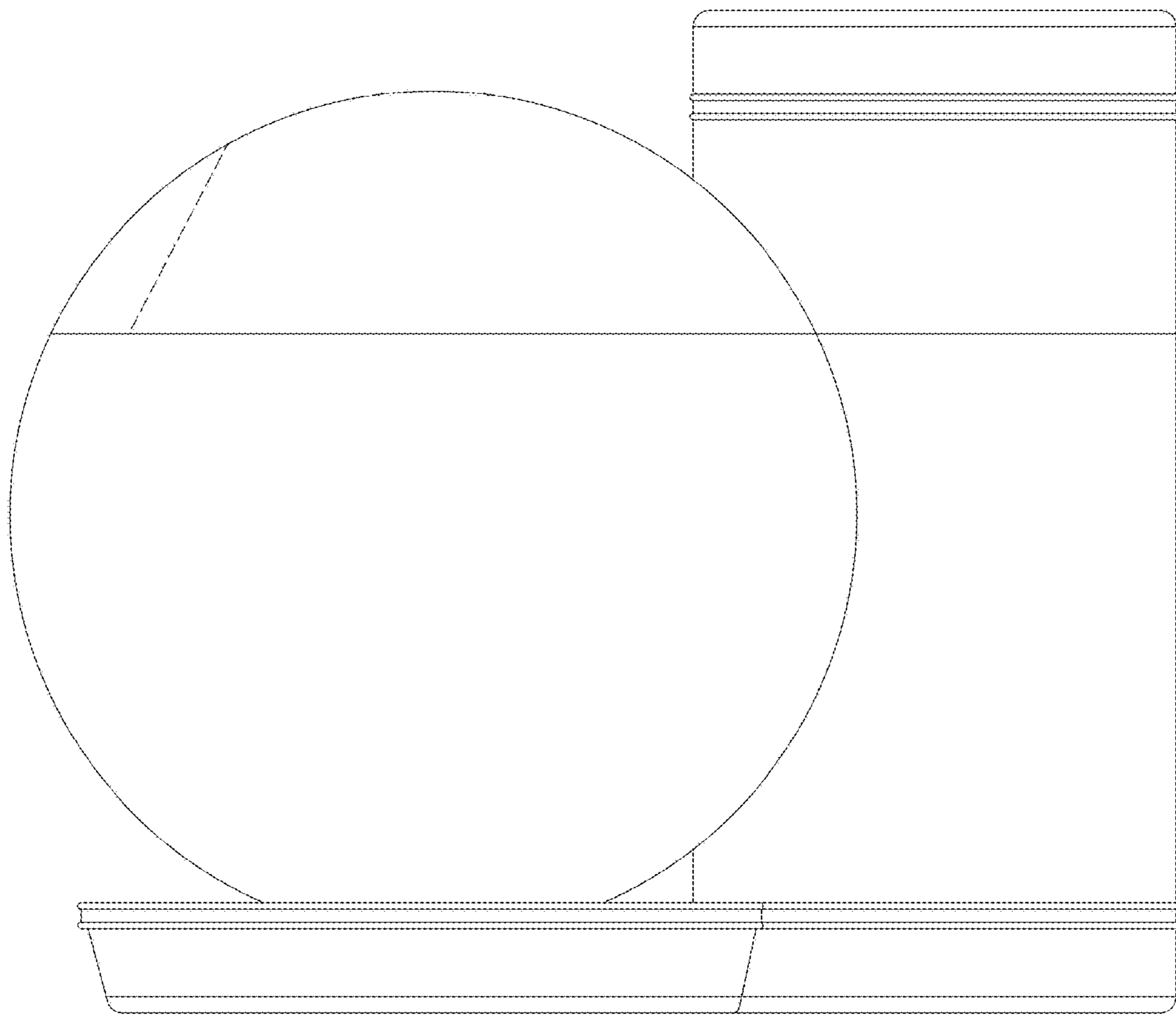


fig.2

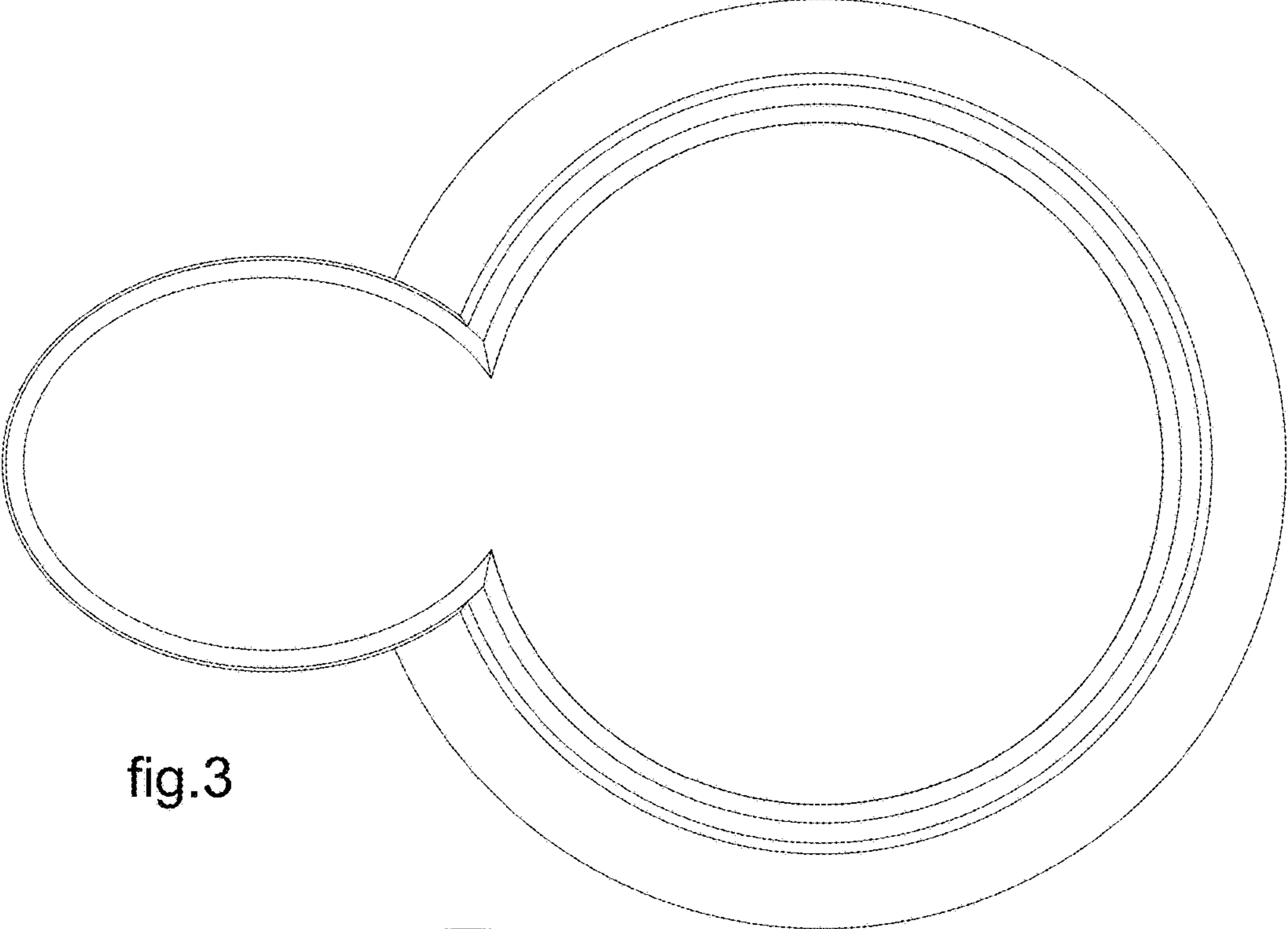


fig.3

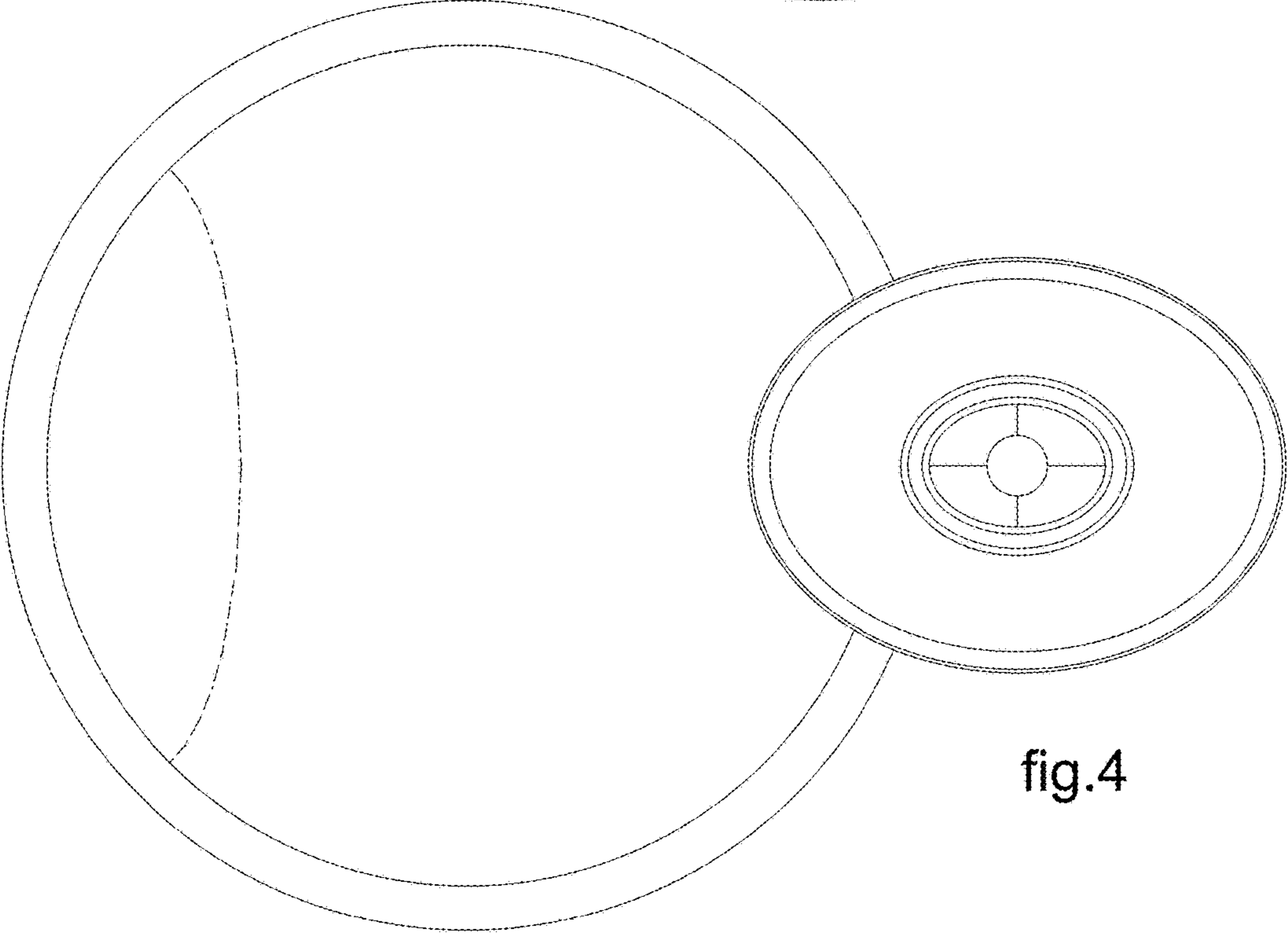


fig.4

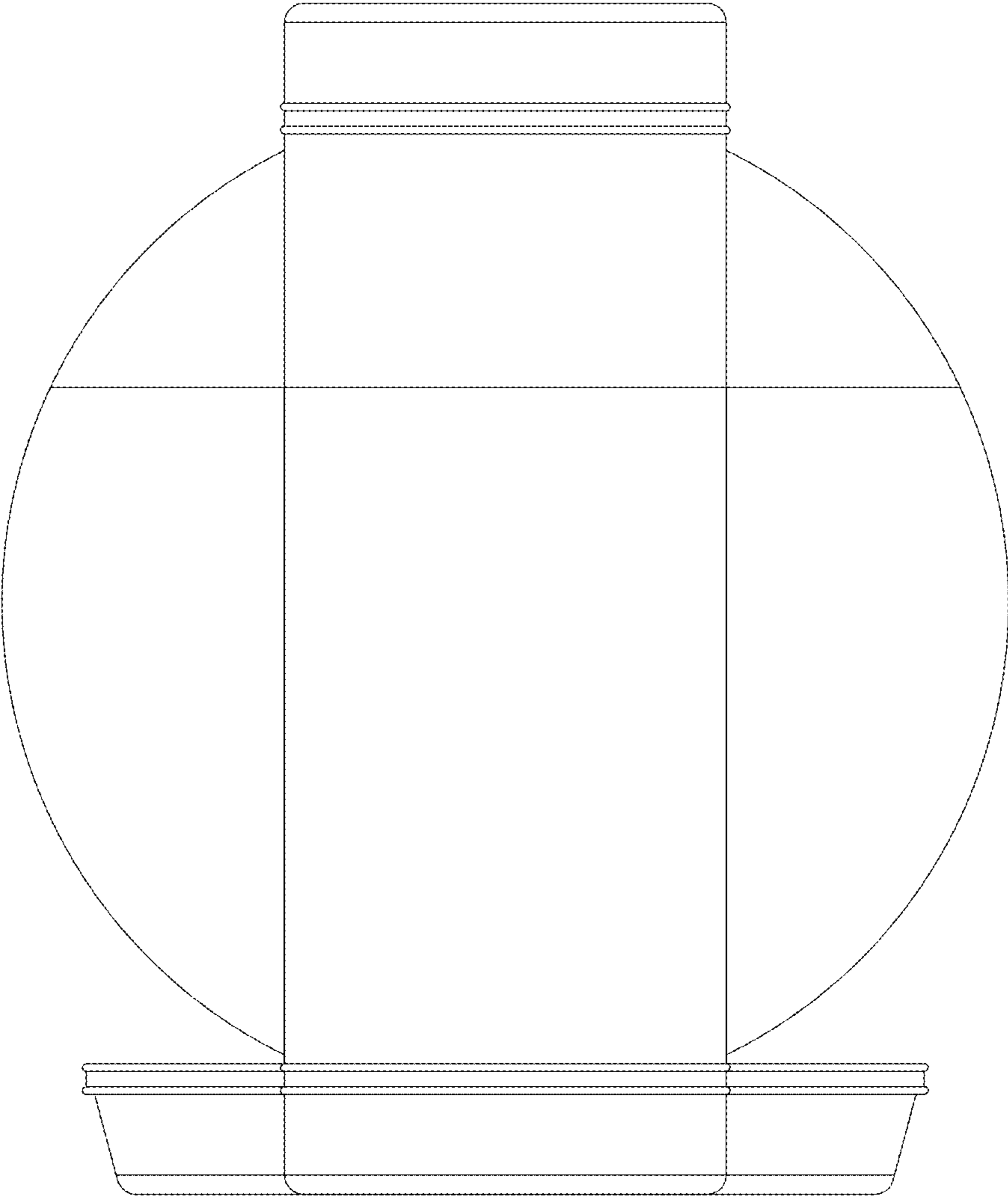


fig.5

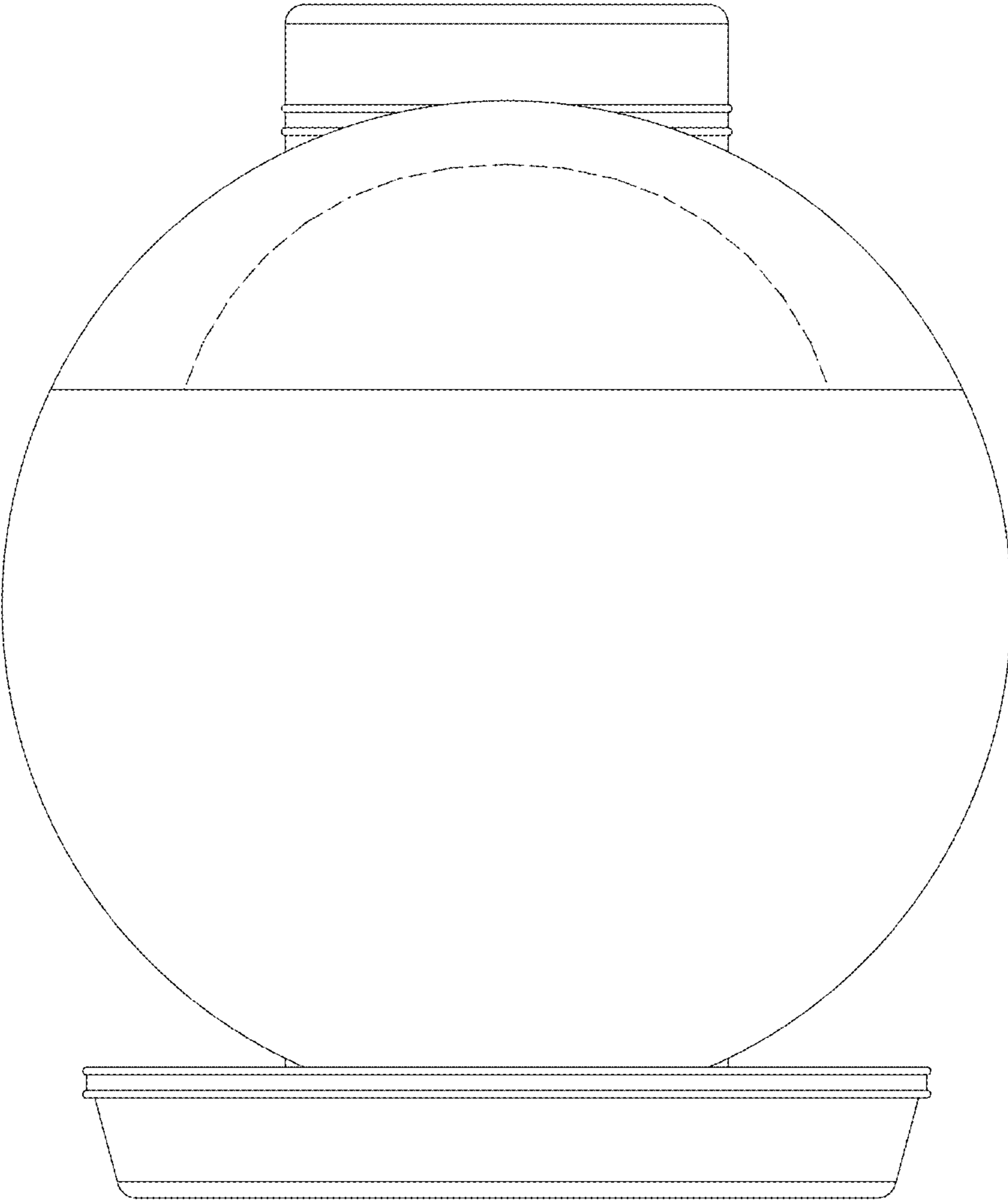


fig.6

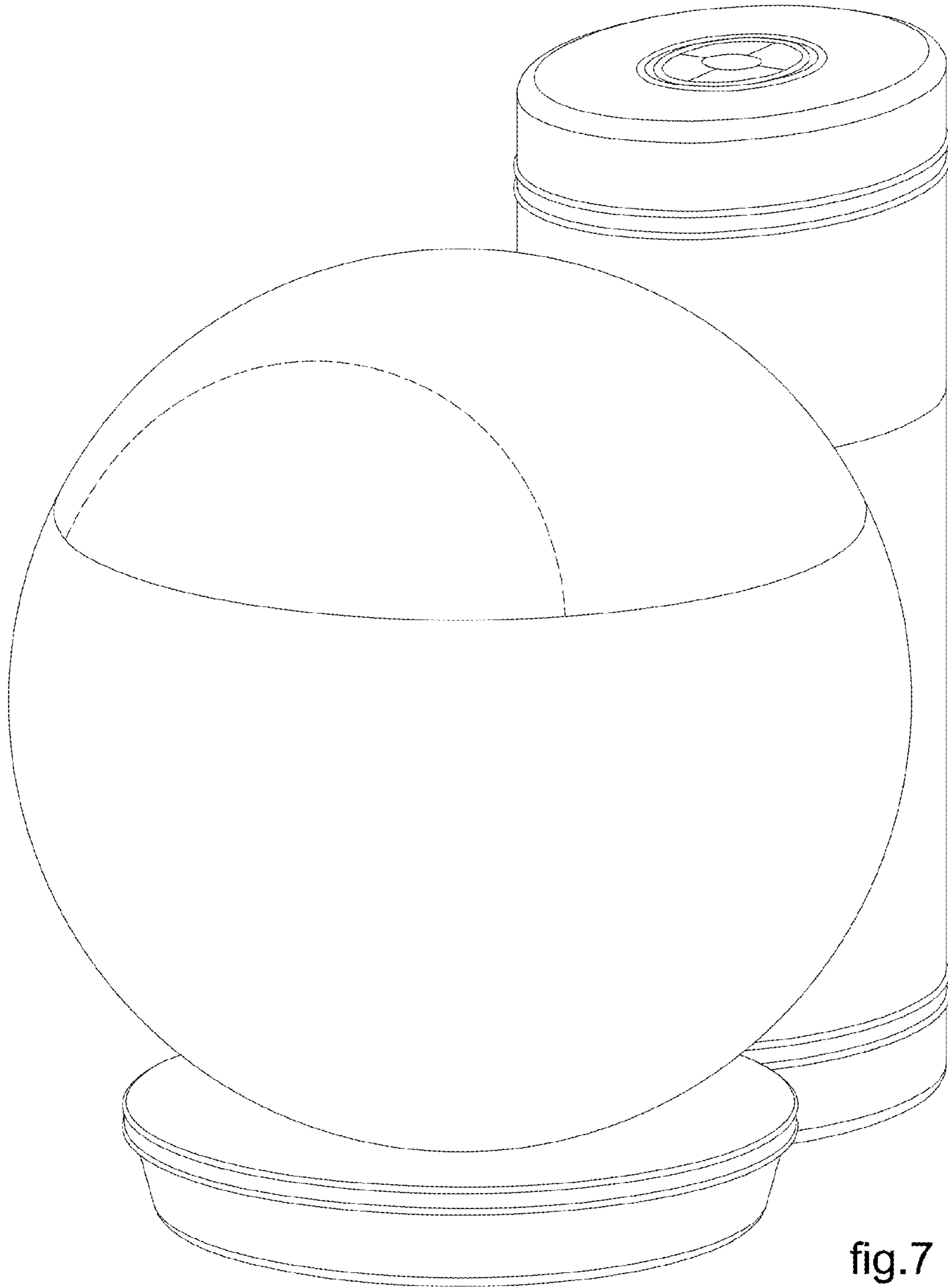


fig. 7