



US00D802355S

(12) **United States Design Patent** (10) **Patent No.:** **US D802,355 S**
Mishan (45) **Date of Patent:** **** Nov. 14, 2017**

- (54) **PIZZA TRAY**
- (71) Applicant: **E. MISHAN & SONS, INC.**, New York, NY (US)
- (72) Inventor: **Steven Mishan**, New York, NY (US)
- (73) Assignee: **E. Mishan & Sons, Inc.**, New York, NY (US)
- (**) Term: **15 Years**
- (21) Appl. No.: **29/611,845**
- (22) Filed: **Jul. 26, 2017**
- (51) **LOC (10) Cl.** **07-02**
- (52) **U.S. Cl.**
USPC **D7/359**; D7/354
- (58) **Field of Classification Search**
USPC D7/323, 354-361, 409, 543, 545, 549, D7/550.1, 553.1-553.8, 554.1-554.4, 555, D7/584, 586, 629, 688; D9/430-433, D9/455-456, 737, 756-762
CPC .. A21B 3/00; A21B 3/003; A21B 3/13; A21B 3/15; A21B 3/134; A21B 3/155; A21B 5/00; A21B 5/02; A47J 36/022; A47J 36/025; A47J 36/027; A47J 37/00; A47J 37/04; A47J 37/101; A47J 43/28; A47J 43/284; B65D 1/22; B65D 1/24; B65D 1/34; B65D 1/36; B65D 51/1611; B65D 77/0433; B65D 81/343; B65D 85/36
See application file for complete search history.

D309,397 S	7/1990	Strand	
5,526,735 A	6/1996	Hacker et al.	
D374,148 S	10/1996	Woodward et al.	
5,680,956 A	10/1997	Woodward et al.	
D435,481 S *	12/2000	Wagner	D11/152
6,286,708 B1	9/2001	Scheibmeir et al.	
D458,796 S	6/2002	Kellermann	
D468,965 S	1/2003	Fino et al.	
D478,252 S	8/2003	Wellner	
6,601,758 B2 *	8/2003	Lizzio	B65D 77/0433 229/120
D509,099 S	9/2005	Haugen	
D509,402 S	9/2005	Ferrer	
D526,536 S *	8/2006	Littlejohn	D7/553.6
D538,583 S	3/2007	Schuler	
D546,639 S	7/2007	Minidis	

(Continued)

Primary Examiner — Ricky Pham
(74) *Attorney, Agent, or Firm* — Notaro, Michalos & Zaccaria P.C.

(57) **CLAIM**

The ornamental design for a pizza tray, as shown and described.

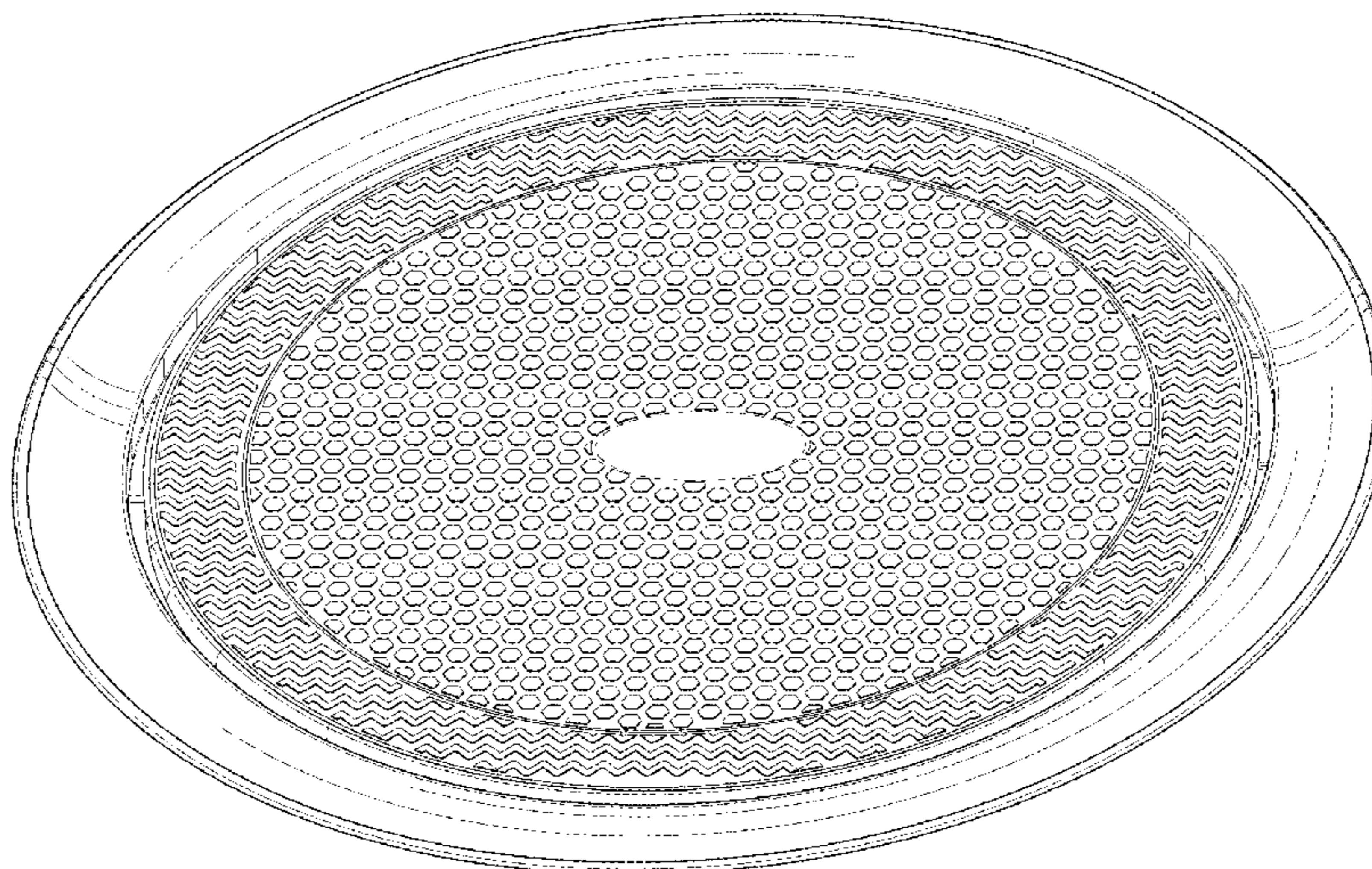
DESCRIPTION

FIG. 1 is a front, top, left perspective view of a pizza tray showing my design therefor;
FIG. 2 is a front elevational view thereof, the rear elevational view being a mirror image thereof;
FIG. 3 is a left side elevational view thereof, the right side elevational view being a mirror image thereof;
FIG. 4 is a top plan view thereof;
FIG. 5 is a bottom plan view thereof;
FIG. 6 is an enlarged cross sectional view of FIG. 4, taken along line 6-6 thereof; and,
FIG. 7 is an enlarged view of the area denoted "FIG. 7" of FIG. 4.

Throughout the drawings, broken lines show environment only and form no part of the claimed design.

1 Claim, 6 Drawing Sheets

- (56) **References Cited**
U.S. PATENT DOCUMENTS
2,135,782 A * 11/1938 McBirney A21B 3/155
209/403
2,179,512 A * 11/1939 McBirney A21B 3/155
220/615
D188,503 S 8/1960 Metzler
4,563,946 A 1/1986 Barlow



(56)

References Cited

U.S. PATENT DOCUMENTS

D552,308	S	*	10/2007	Farr	D30/161
D568,091	S		5/2008	Garcia	
D574,661	S		8/2008	Logan	
D578,336	S	*	10/2008	Kim	D7/354
D610,391	S		2/2010	Junkins	
D620,766	S	*	8/2010	Sudia	D7/629
D628,009	S		11/2010	Sarnoff et al.	
D628,848	S		12/2010	Junkins	
D653,909	S		2/2012	Henry	
D658,426	S	*	5/2012	Saunders	D7/359
D660,651	S		5/2012	Peters	
D662,558	S		6/2012	Lovegrove et al.	
D682,012	S	*	5/2013	Lin	D7/354
D727,095	S	*	4/2015	Bak	D7/409
D743,732	S		11/2015	Saunders	
D746,626	S		1/2016	Lagsdin	
9,446,889	B2		9/2016	Lopes	
D778,678	S		2/2017	Baez	
D784,754	S		4/2017	Li	
2008/0272124	A1	*	11/2008	Shamoon	A47J 37/101 220/370
2009/0035423	A1		2/2009	Rettey	
2010/0065571	A1		3/2010	Olson	
2012/0024859	A1	*	2/2012	Longoni	B65D 21/0234 220/367.1

* cited by examiner

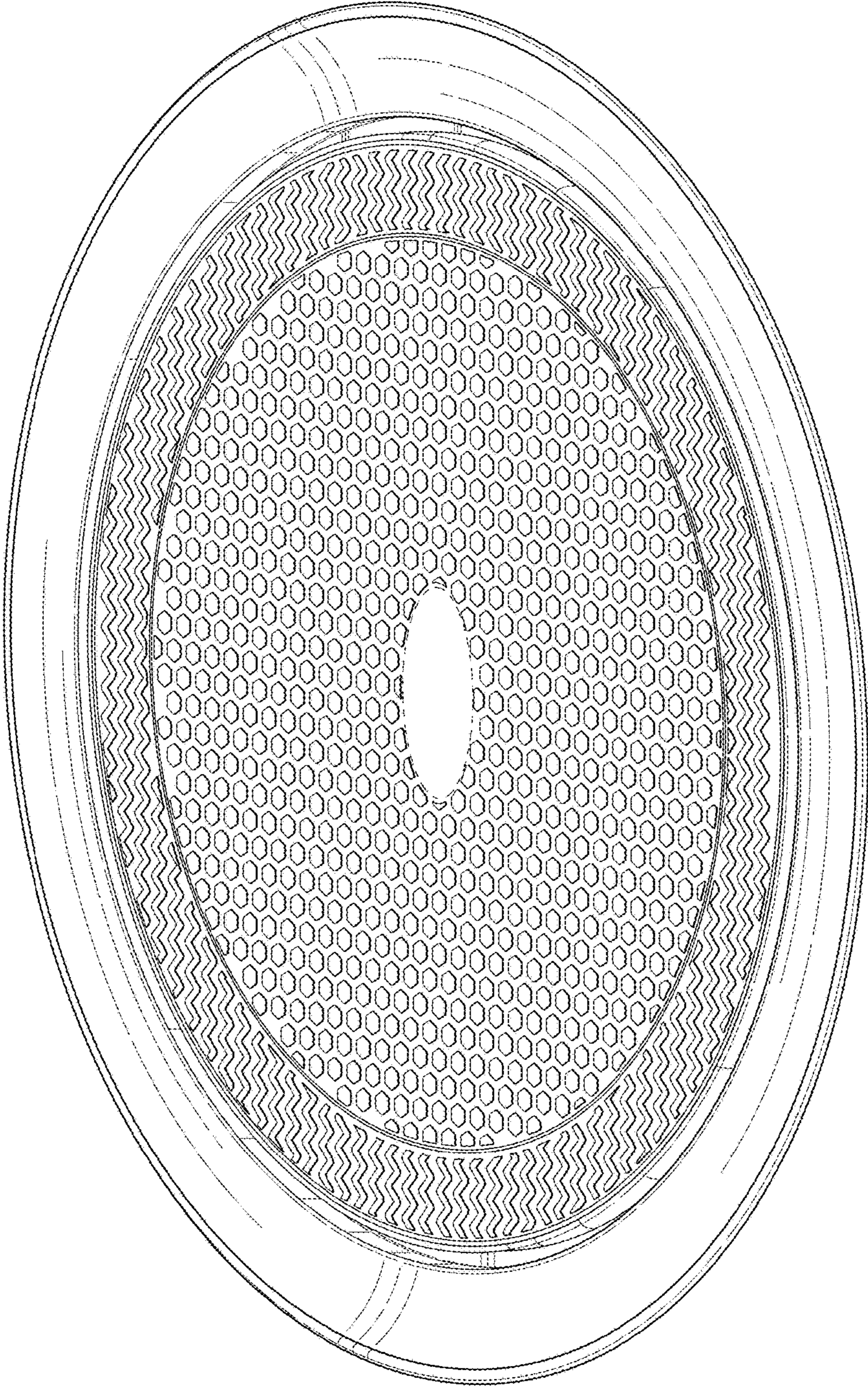


FIG. 1

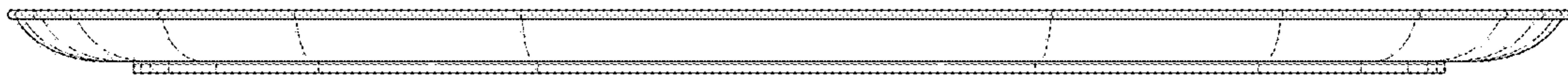


FIG. 2

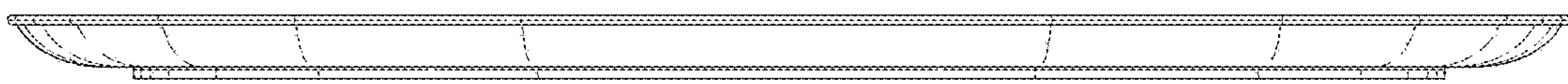


FIG. 3

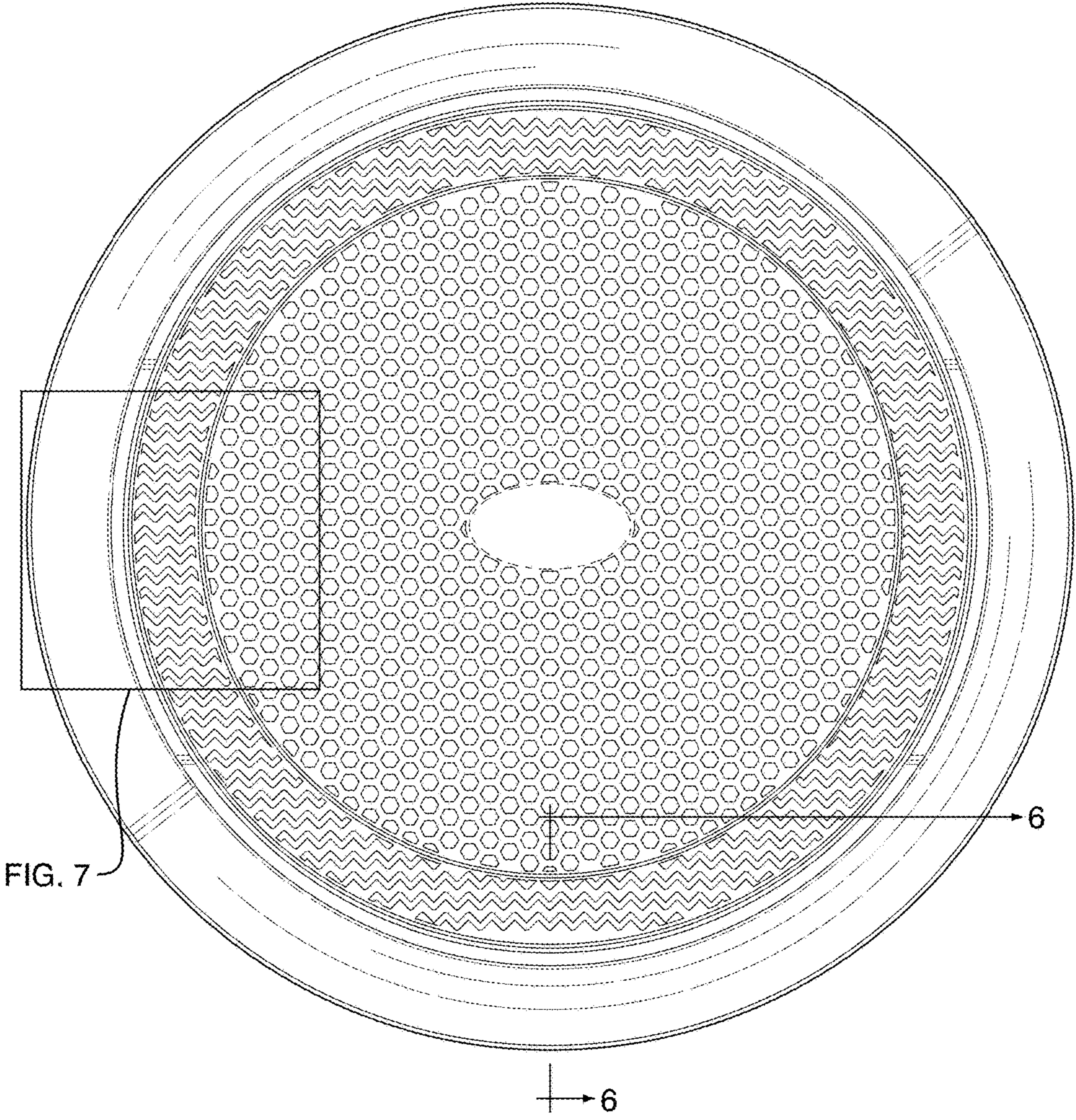


FIG. 7

FIG. 4

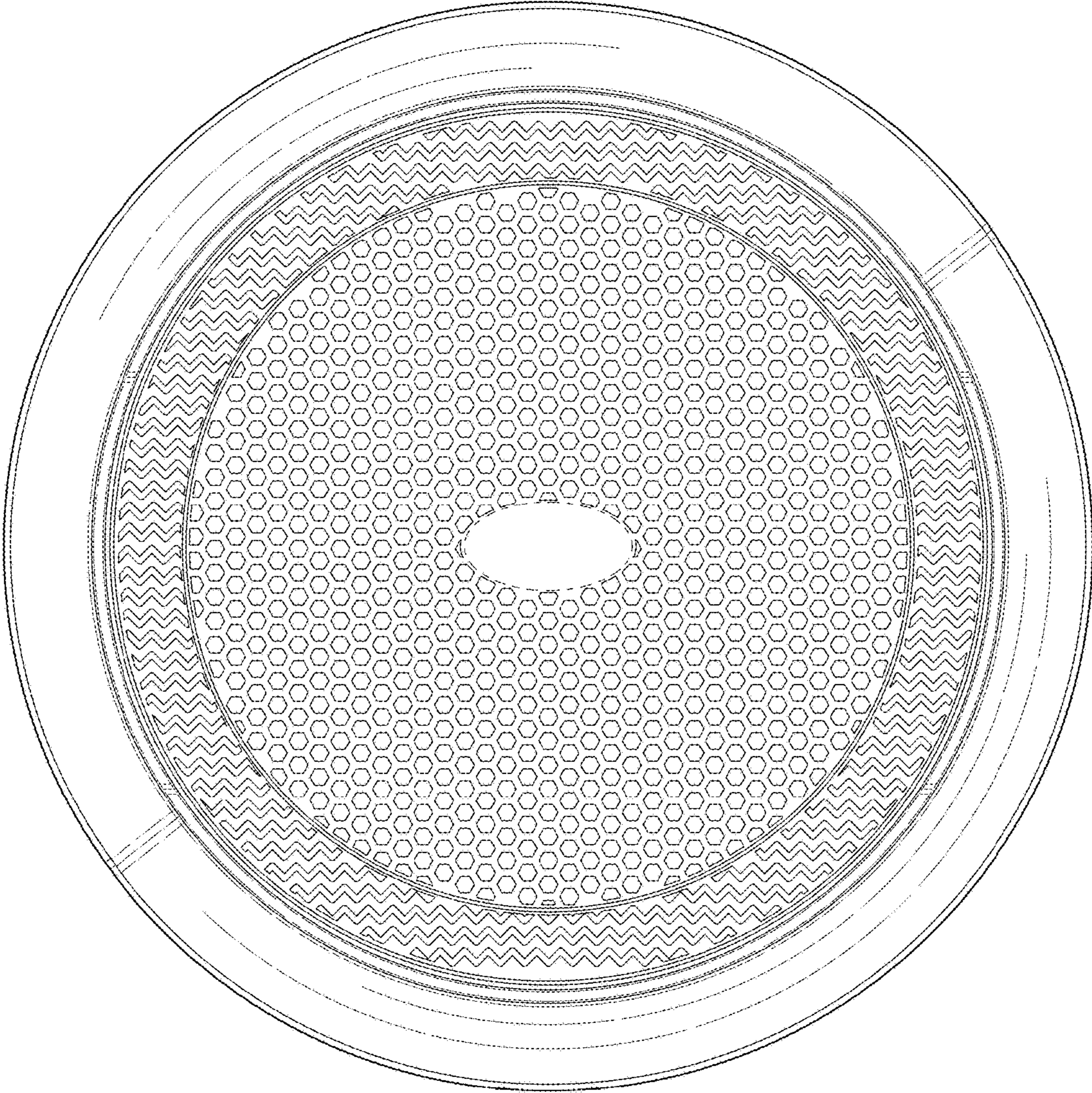


FIG. 5

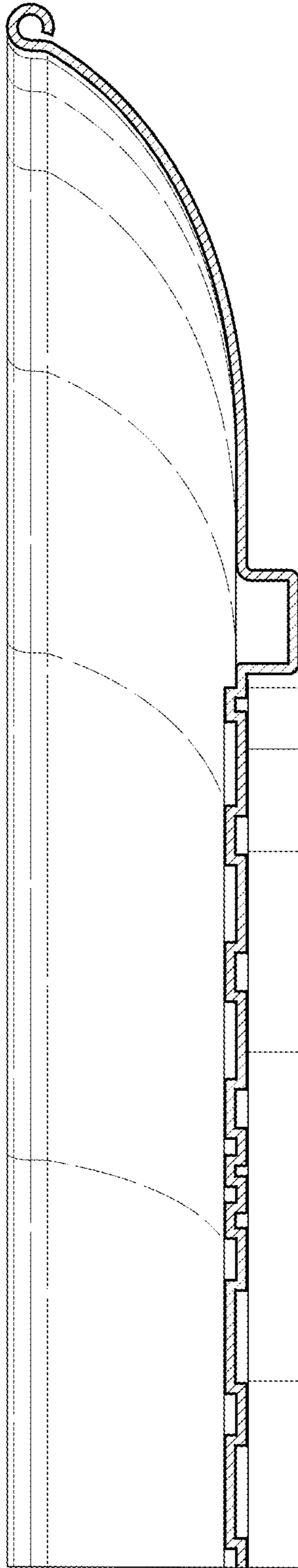


FIG. 6

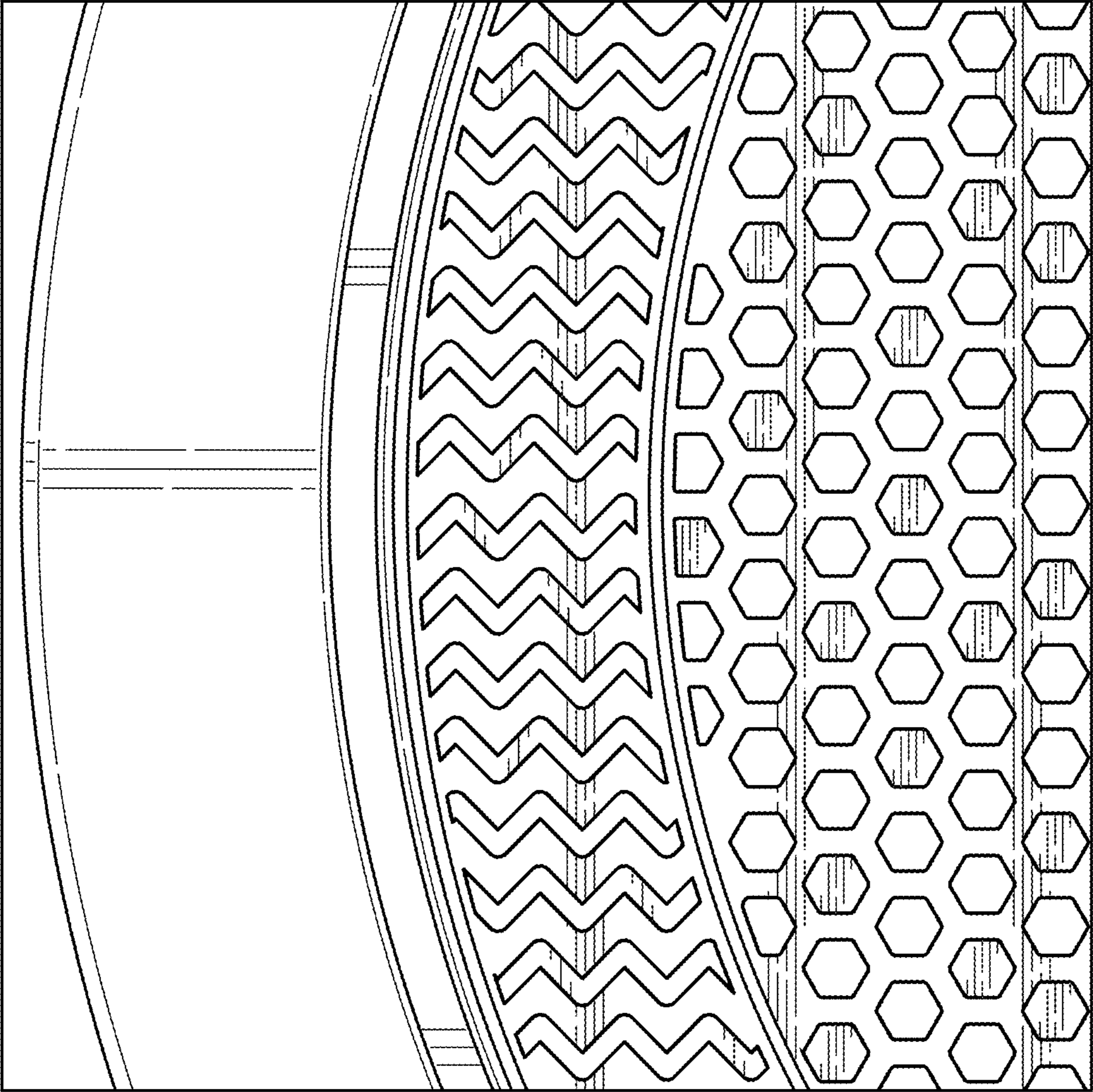


FIG. 7