



US00D802354S

(12) **United States Design Patent**
Xiong

(10) **Patent No.:** **US D802,354 S**

(45) **Date of Patent:** **** Nov. 14, 2017**

(54) **FIVE-IN-ONE GRILL**

(71) Applicant: **Ningbo Tianxiang Electrical Appliances Co., Ltd.**, Ningbo, Zhejiang province (CN)

(72) Inventor: **Baikang Xiong**, Ningbo (CN)

(73) Assignee: **Ningbo Tianxiang Electrical Appliances Co., Ltd.**, Cixi, Ningbo, Zhejiang Province (CN)

(**) Term: **15 Years**

(21) Appl. No.: **29/571,629**

(22) Filed: **Jul. 20, 2016**

(30) **Foreign Application Priority Data**

Mar. 16, 2016 (CN) 2016 3 0074877

(51) **LOC (10) Cl.** **07-02**

(52) **U.S. Cl.**

USPC **D7/357**; D7/354; D7/359; D7/361

(58) **Field of Classification Search**

USPC D6/674; D7/323, 354–363, 391, D7/393–396, 409

CPC A47G 19/06; A47G 19/12; A47J 27/00; A47J 27/002; A47J 27/08; A47J 27/21; A47J 27/58; A47J 29/02; A47J 36/025; A47J 36/02; A47J 36/06; A47J 36/12; A47J 37/00; A47J 37/10; A47J 37/101; A47J 37/103; A47J 37/108; A47J 37/12; A47J 37/1204; A47J 45/061; A47J 45/071; A47J 45/08; A63H 33/3055; H05B 6/12

See application file for complete search history.

(56) **References Cited**

U.S. PATENT DOCUMENTS

1,505,675 A * 8/1924 Stirn A47J 37/10
126/215

1,936,551 A * 11/1933 Garrison A47J 37/10
99/339

3,120,717 A * 2/1964 Glass A63H 33/3055
446/397

3,704,663 A * 12/1972 Shull A47J 37/10
99/347

D227,730 S * 7/1973 Shull D7/357

5,967,022 A * 10/1999 Moschella A47J 37/108
220/731

6,371,322 B1 * 4/2002 Bryant A47G 19/06
220/23.86

D492,538 S * 7/2004 Cheng D7/357

D536,199 S * 2/2007 Kloppsteck D6/674

8,474,372 B2 * 7/2013 Stacey A47J 29/02
99/422

D712,193 S * 9/2014 Nagrani D7/354

D746,628 S * 1/2016 Nagrani D7/354

D787,261 S * 5/2017 Tsai D7/354

* cited by examiner

Primary Examiner — Ricky Pham

(74) *Attorney, Agent, or Firm* — Muncy, Geissler, Olds & Lowe, P.C.

(57) **CLAIM**

The ornamental design for a five-in-one grill, as shown and described.

DESCRIPTION

FIG. 1 is a perspective view of a five-in-one grill showing my new design;

FIG. 2 is a front elevational view thereof;

FIG. 3 is a rear elevational view thereof;

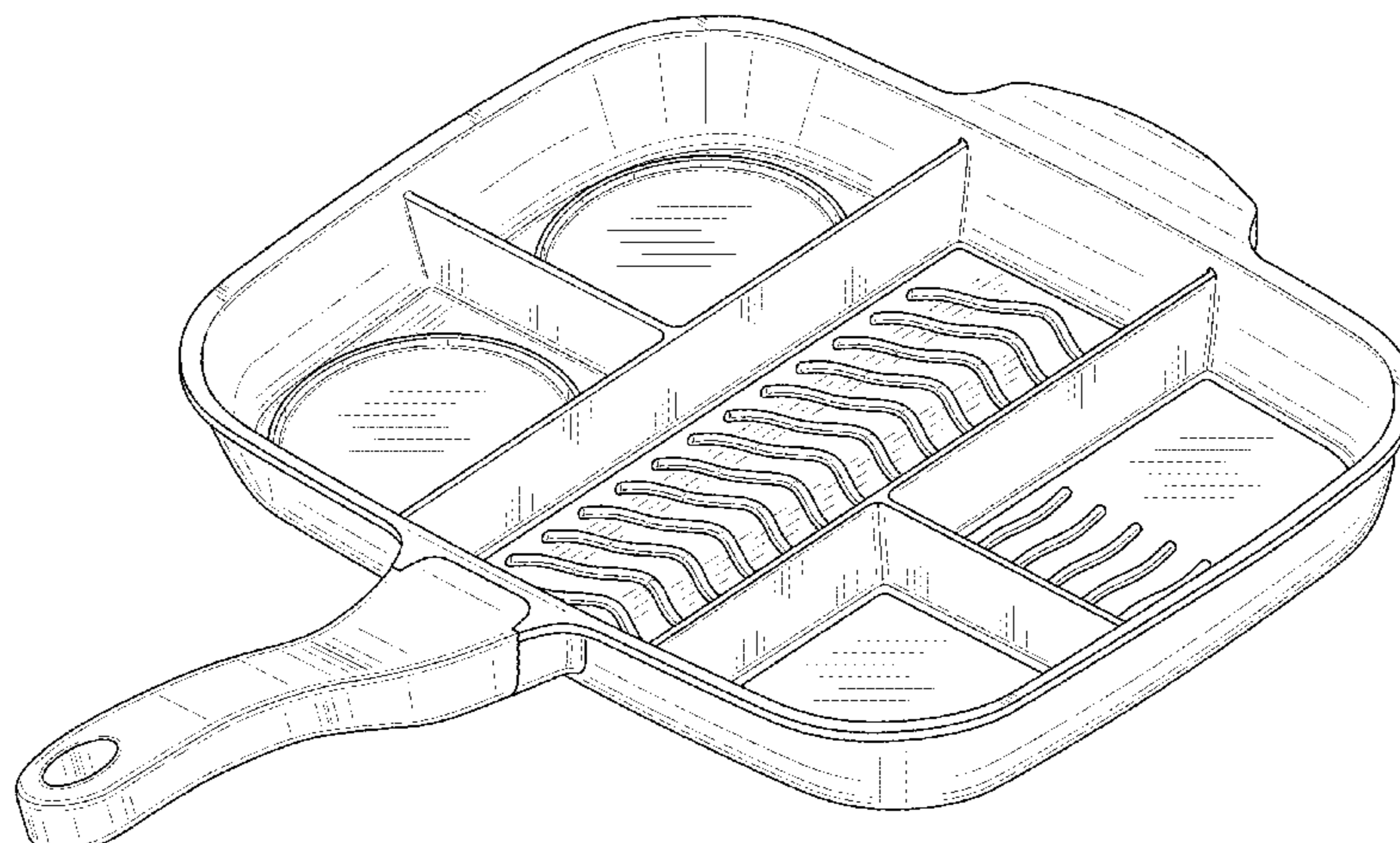
FIG. 4 is a right side view thereof;

FIG. 5 is a left side view thereof;

FIG. 6 is a top pan view thereof; and,

FIG. 7 is a bottom plan view thereof.

1 Claim, 6 Drawing Sheets



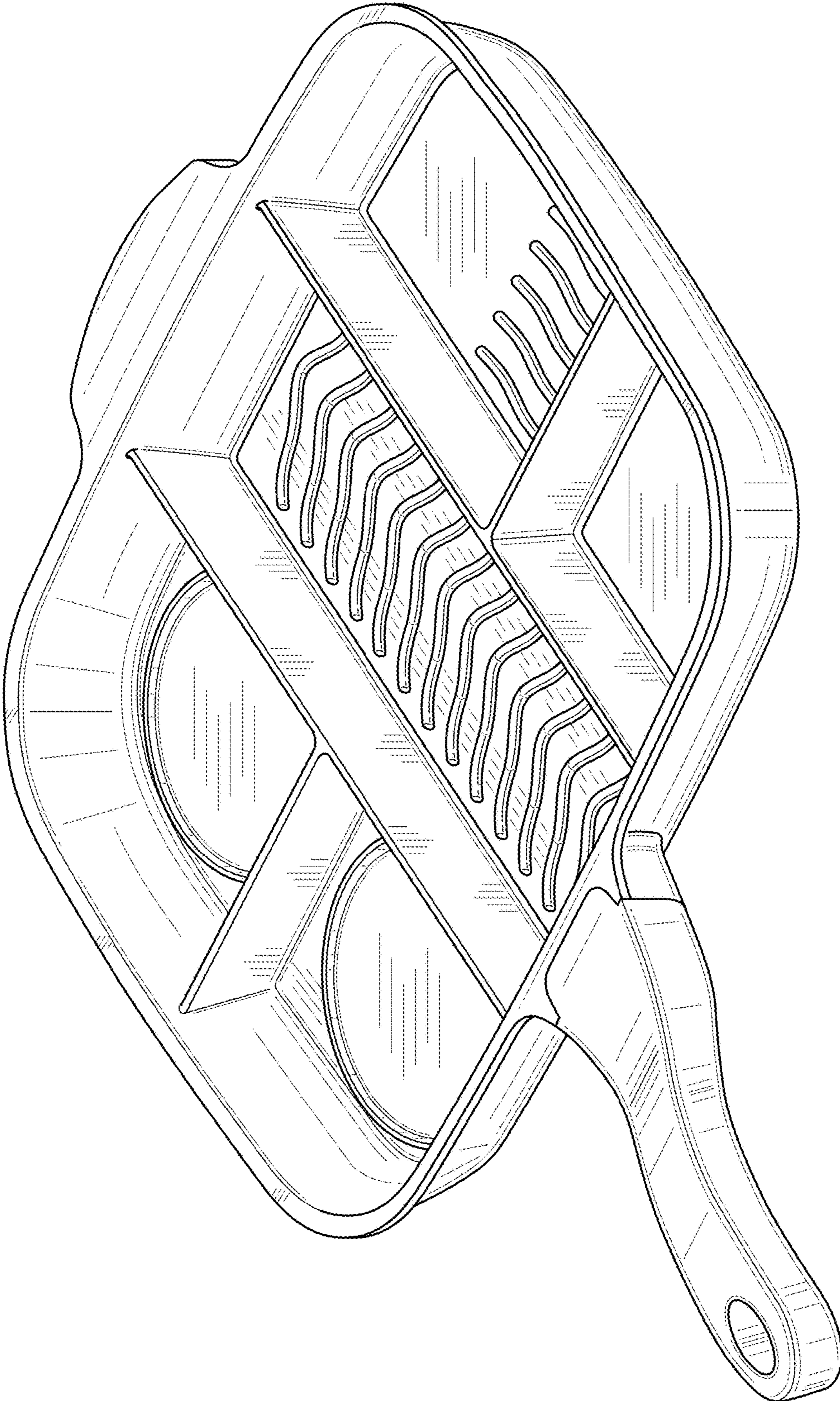


FIG. 1

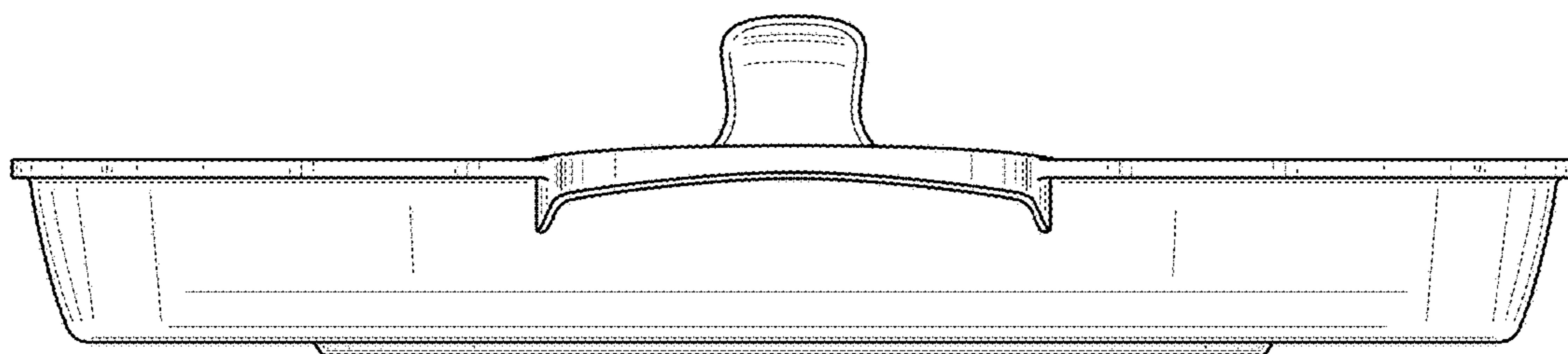


FIG. 2

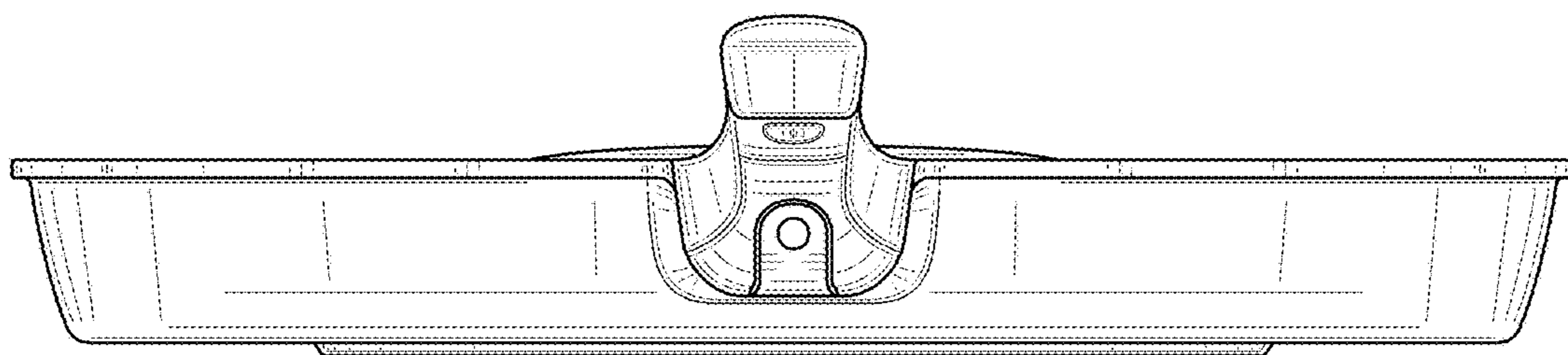


FIG. 3

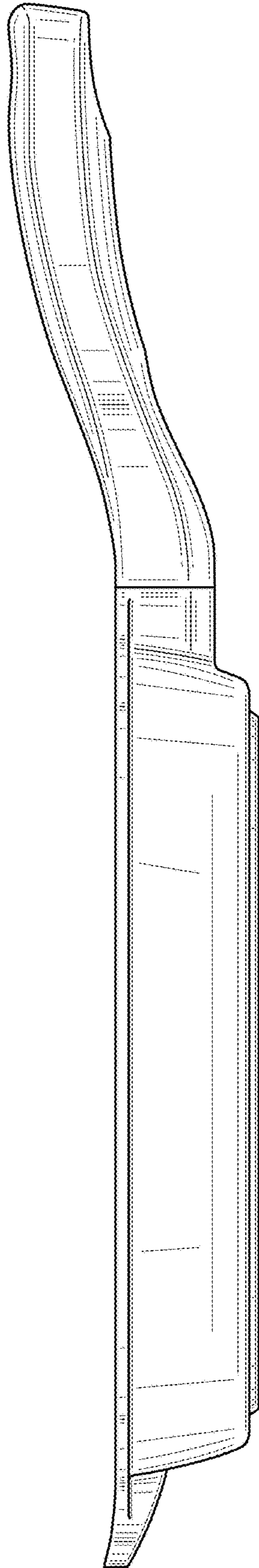


FIG. 4

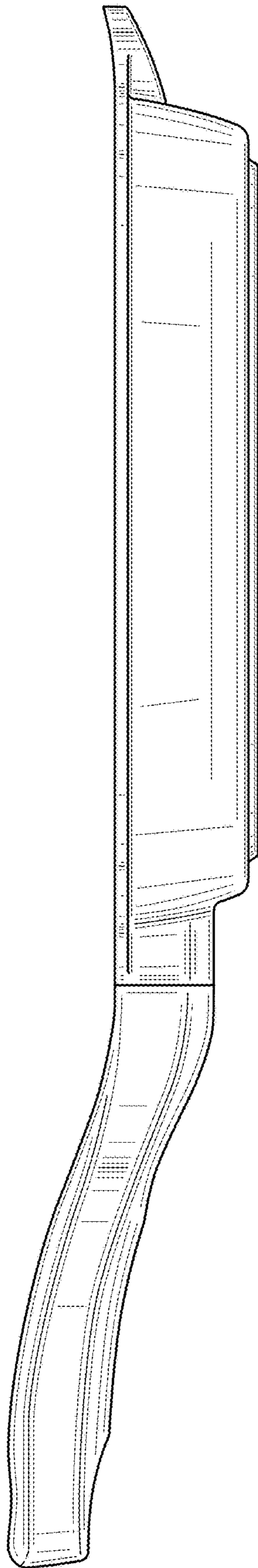


FIG. 5

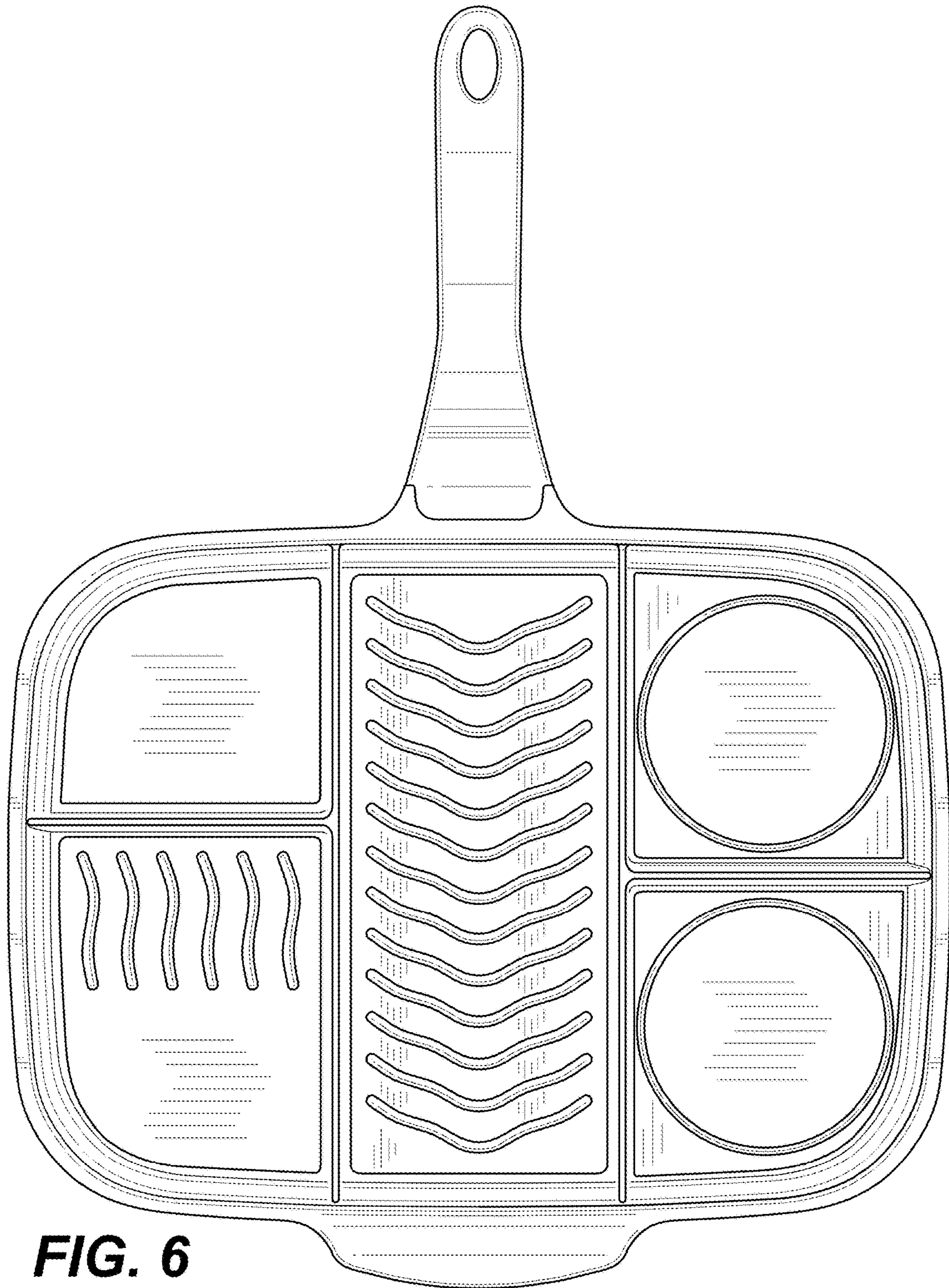


FIG. 6

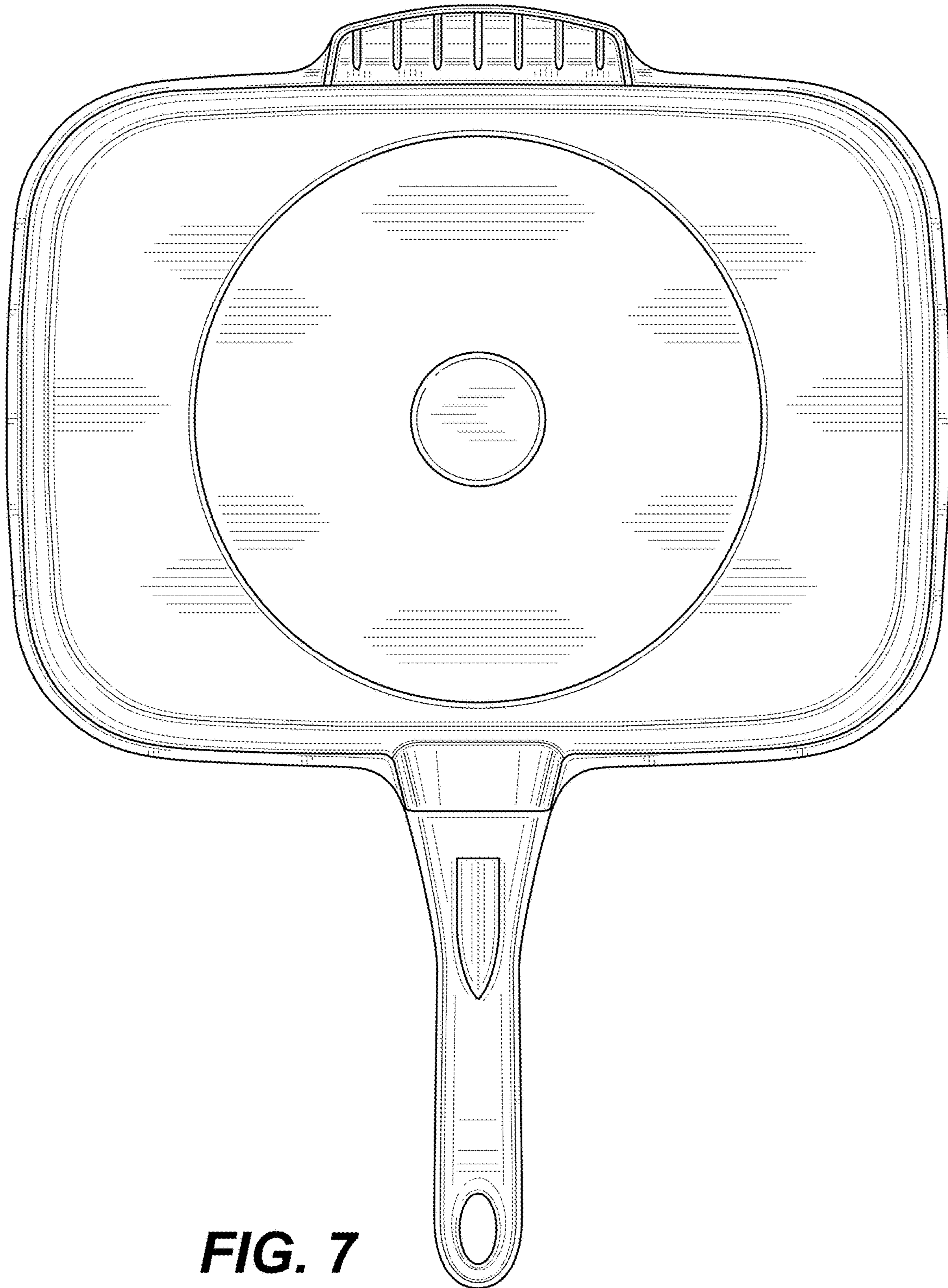


FIG. 7