



US00D802353S

(12) **United States Design Patent**
Chung

(10) **Patent No.:** **US D802,353 S**

(45) **Date of Patent:** **** Nov. 14, 2017**

(54) **BARBECUE GRILL**

(71) Applicant: **Shu-Jui Chung**, Taichung (TW)

(72) Inventor: **Shu-Jui Chung**, Taichung (TW)

(**) Term: **15 Years**

(21) Appl. No.: **29/543,191**

(22) Filed: **Oct. 21, 2015**

(51) **LOC (10) Cl.** **07-02**

(52) **U.S. Cl.**

USPC **D7/337**

(58) **Field of Classification Search**

USPC D7/323-337, 402-407, 362, 416, 417,
D7/357, 408; 126/25 R, 9 R; D23/343,
D23/415, 350, 348, 403, 409, 416, 418,
D23/419; D22/112; D26/8
CPC A47J 33/00; A47J 37/04; A47J 37/041;
A47J 37/07-37/0713; A47J
37/718-37/0727; A47J 37/0731; A47J
37/074; A47J 37/0781; A47J 2037/0777;
A47J 37/0786; A47J 37/079; A47J 36/26;
A47J 36/36; F24B 1/02; F24B 1/022;
F24B 1/18; F24B 1/182; F24B 1/202;
F24B 1/181; F24C 3/14; F24C 1/16;
F24C 15/10; F23D 14/00-14/10; F23D
91/00; B05B 17/08

See application file for complete search history.

(56) **References Cited**

U.S. PATENT DOCUMENTS

D279,535 S *	7/1985	Taylor	D7/334
D549,038 S *	8/2007	Chung	D7/337
D600,494 S *	9/2009	Chung	D7/337
D600,970 S *	9/2009	Chung	D7/337
D610,861 S *	3/2010	Chung	D7/337
D611,292 S *	3/2010	Chung	D7/337
D630,464 S *	1/2011	Chung	D7/337

D630,465 S *	1/2011	Chung	D7/337
D631,685 S *	2/2011	Tiller	D7/337
D653,898 S *	2/2012	Chung	D7/337
D653,899 S *	2/2012	Chung	D7/337
D676,702 S *	2/2013	Chung	D7/337
D677,110 S *	3/2013	Chung	D7/337
D677,111 S *	3/2013	Chung	D7/337
D687,669 S *	8/2013	Chung	D7/334
D699,999 S *	2/2014	Miller	D7/337
D717,096 S *	11/2014	Chung	D7/334
D722,467 S *	2/2015	Chung	D7/337
D722,812 S *	2/2015	Chung	D7/337
D722,813 S *	2/2015	Chung	D7/337
D739,170 S *	9/2015	Chung	D7/337
D743,200 S *	11/2015	Pai	D7/337
D747,910 S *	1/2016	Costa	D7/337
D772,637 S *	11/2016	Barquin	D7/337
2015/0150415 A1 *	6/2015	Chung	A47J 37/0763 126/25 R

* cited by examiner

Primary Examiner — Susan Bennett Hattan

Assistant Examiner — Brett Miller

(57) **CLAIM**

I claim the ornamental design for a barbecue grill, as shown and described.

DESCRIPTION

FIG. 1 is a perspective view of a barbecue grill, showing my new design;

FIG. 2 is a front elevational view thereof;

FIG. 3 is a rear elevational view thereof;

FIG. 4 is a left side elevational view thereof;

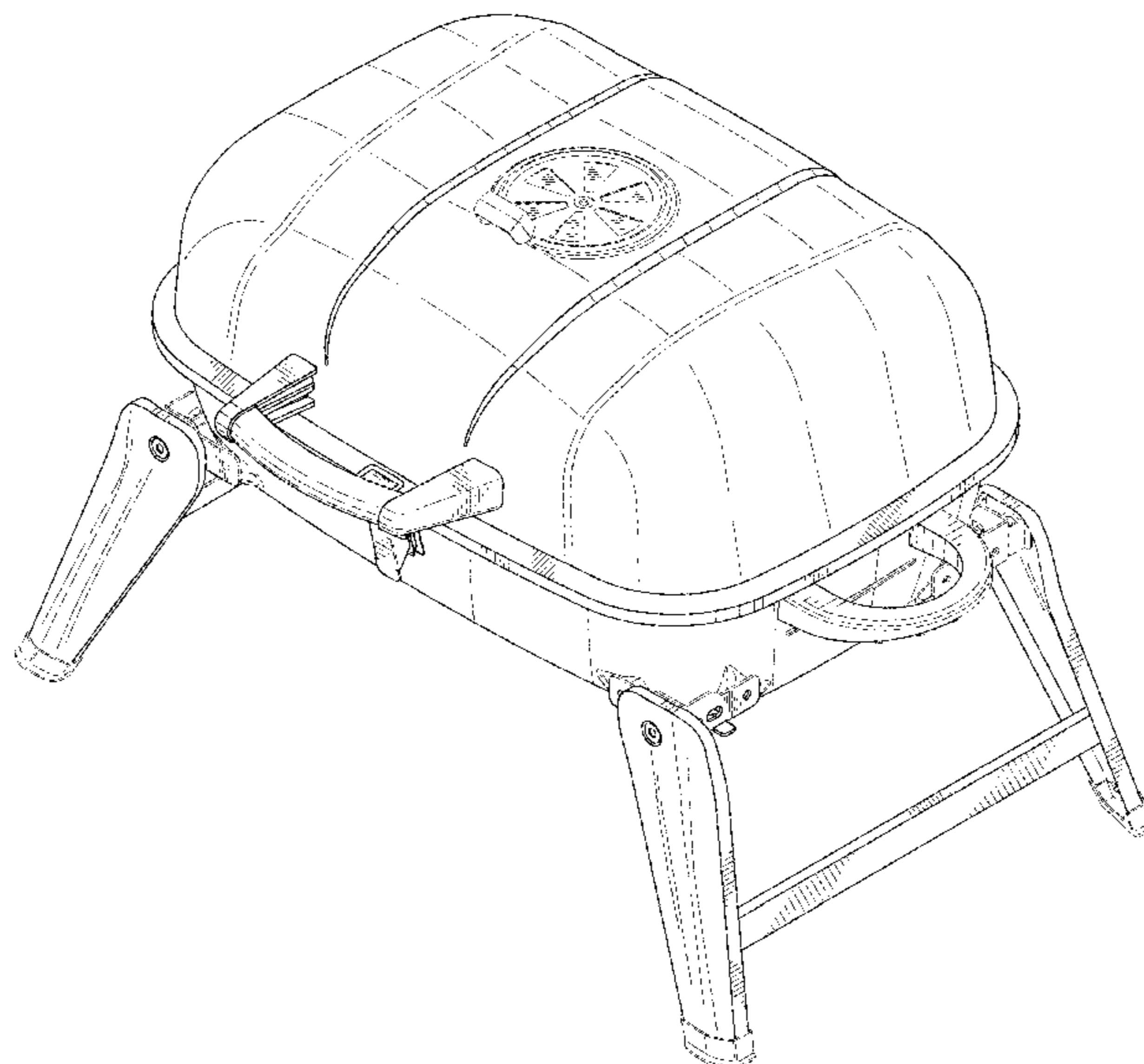
FIG. 5 is a right side elevational view thereof;

FIG. 6 is a top plan view thereof; and,

FIG. 7 is a bottom plan view thereof.

The broken lines shown in the drawings are for the purpose of illustrating unclaimed portions of the barbecue grill and form no part of the claimed design.

1 Claim, 7 Drawing Sheets



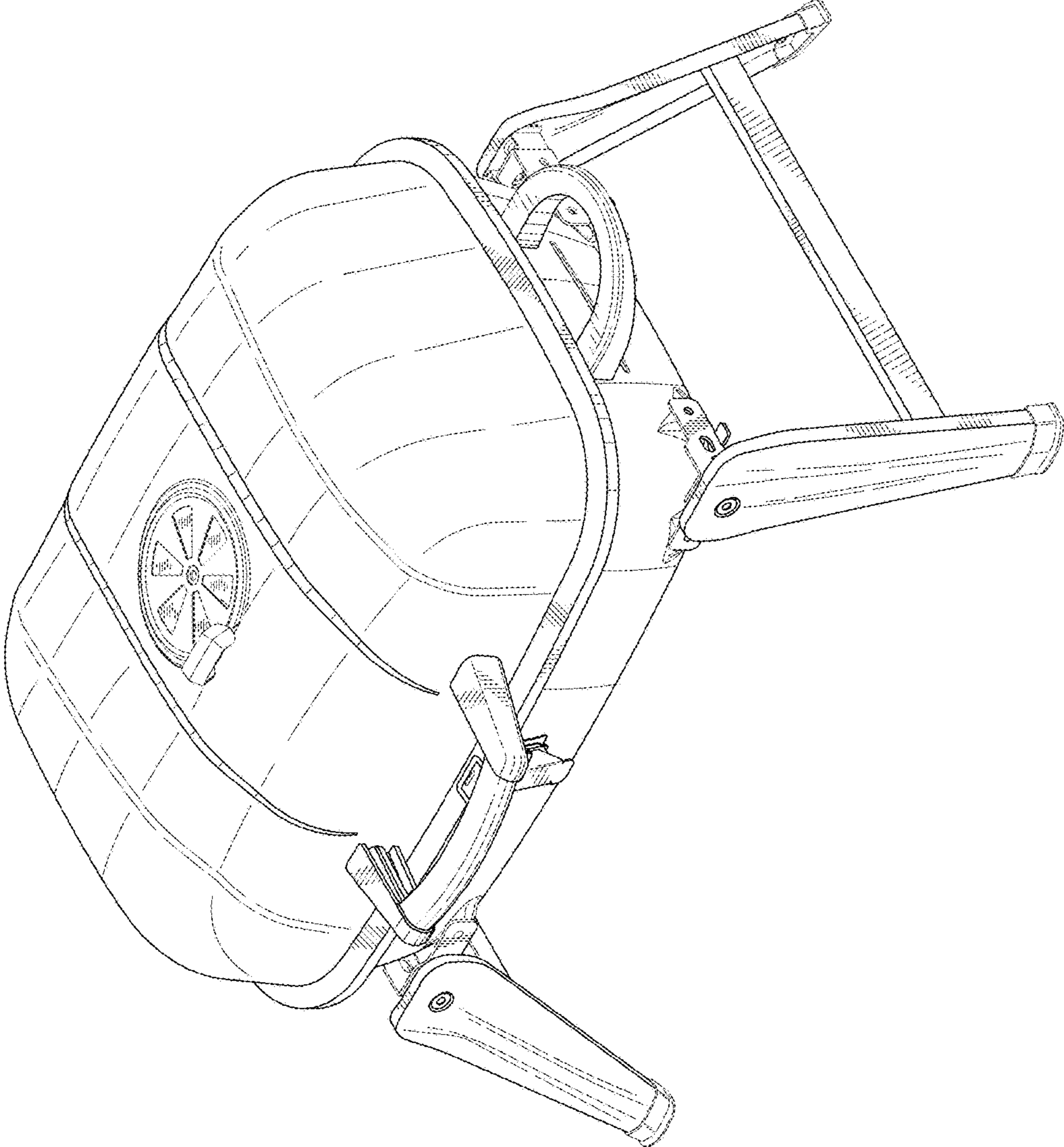


FIG. 1

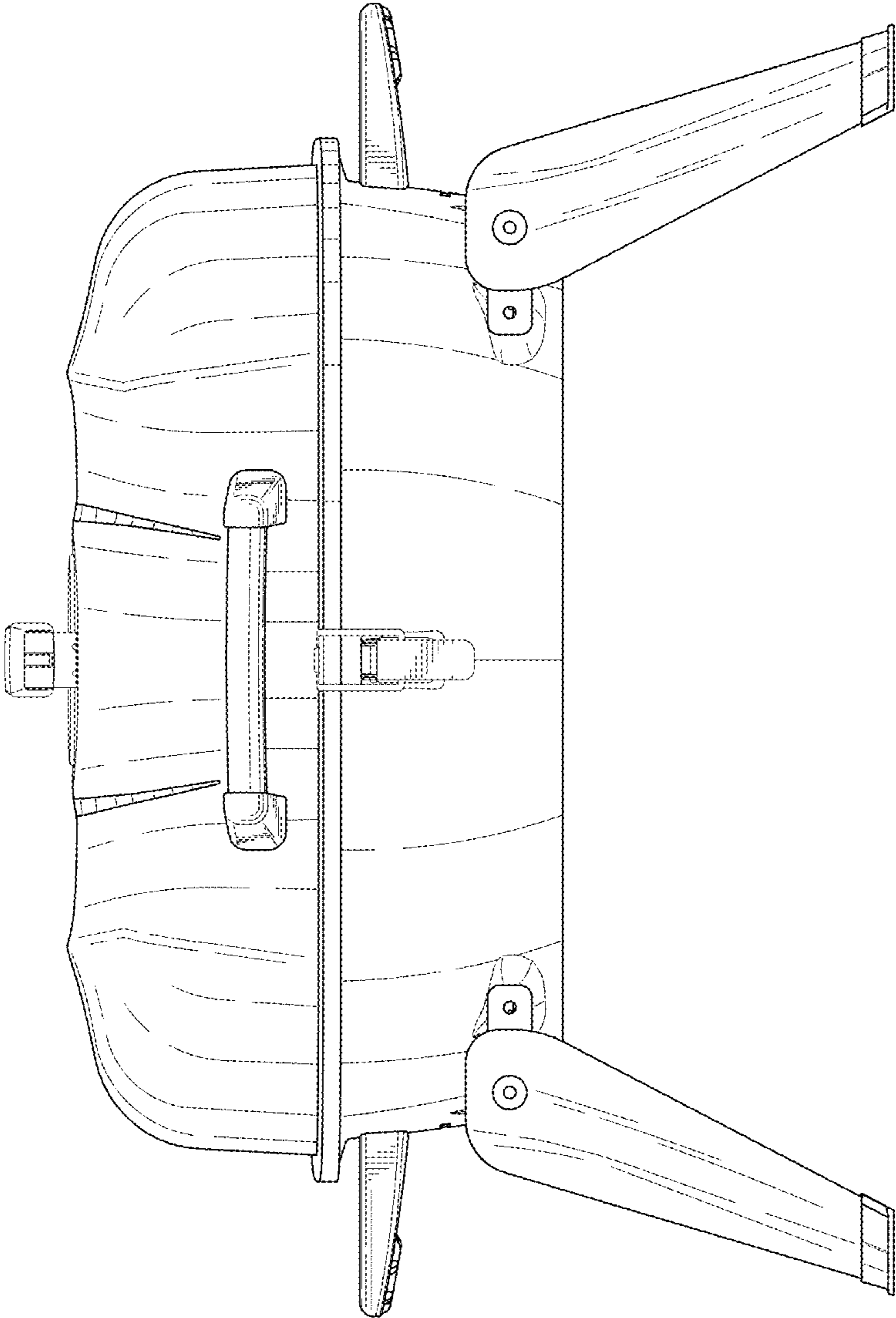


FIG. 2

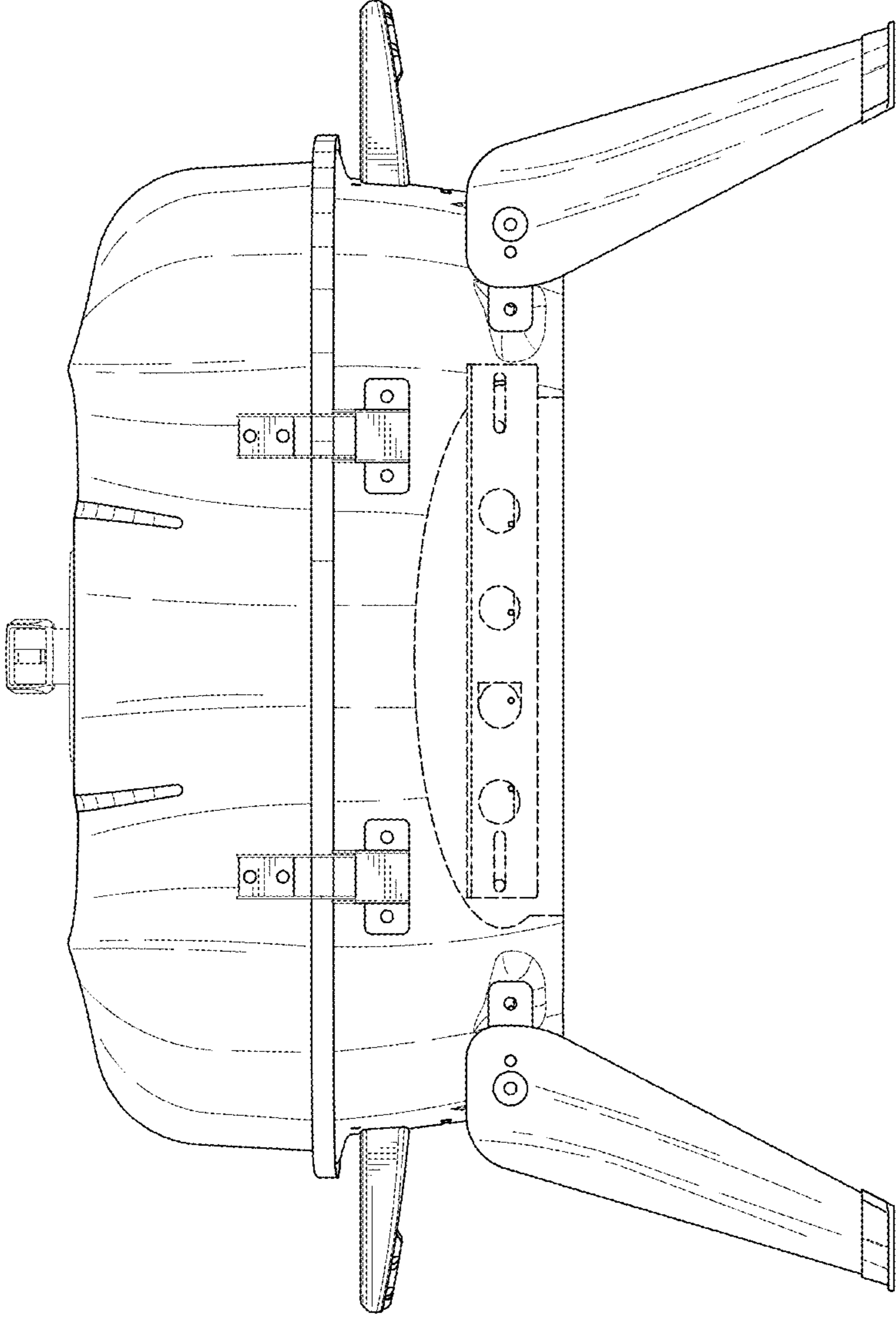


FIG. 3

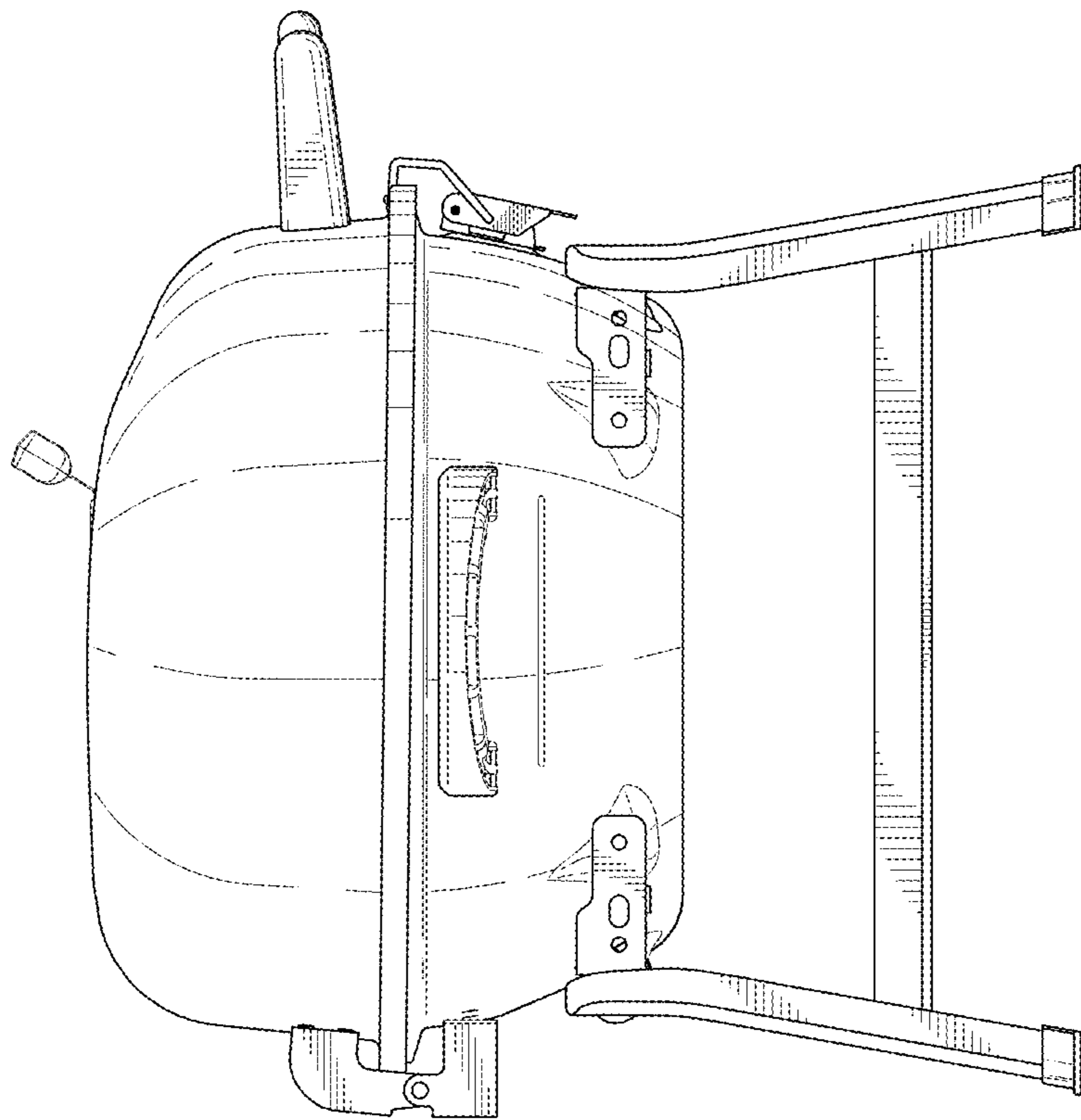


FIG. 4

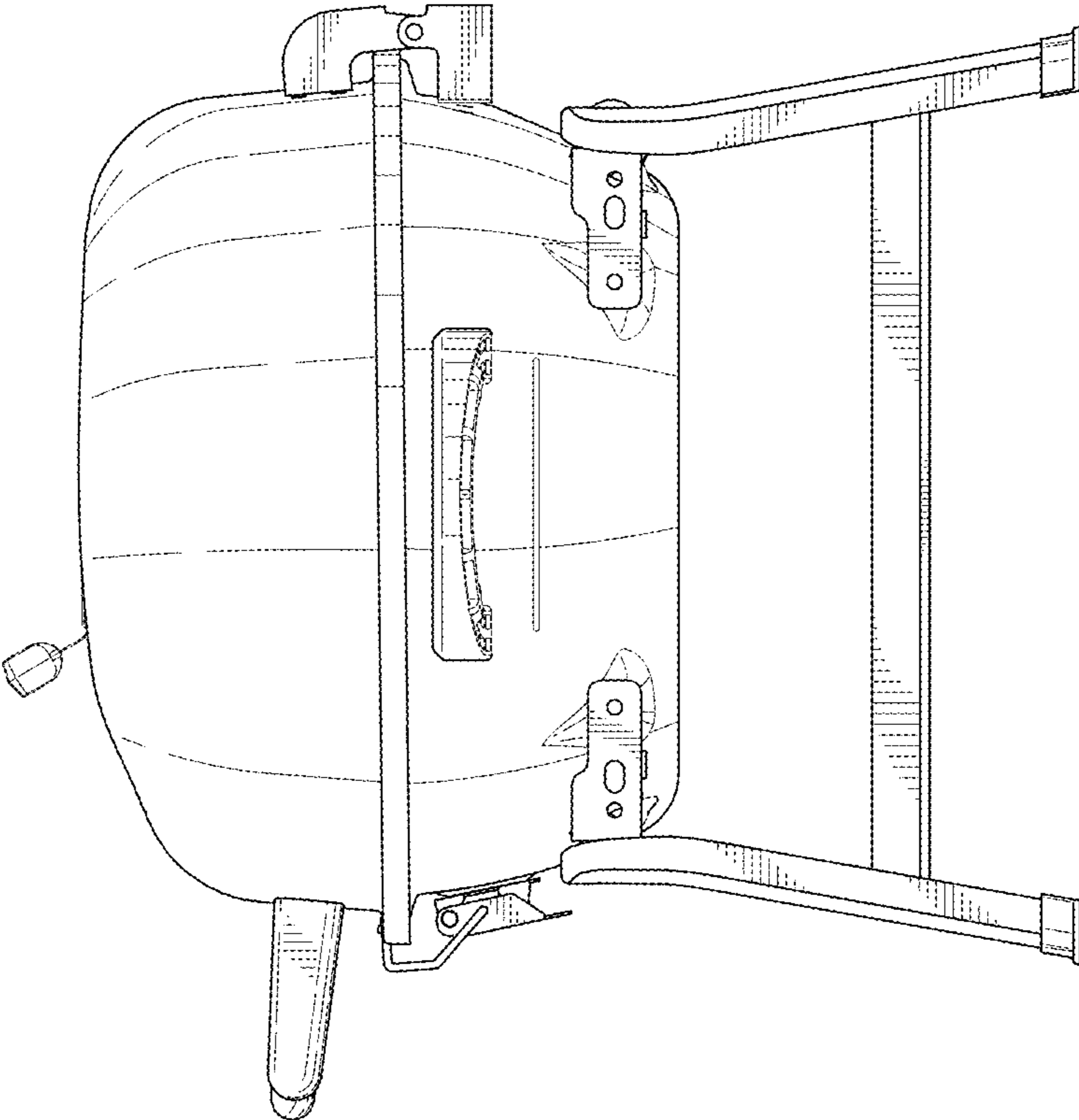


FIG. 5

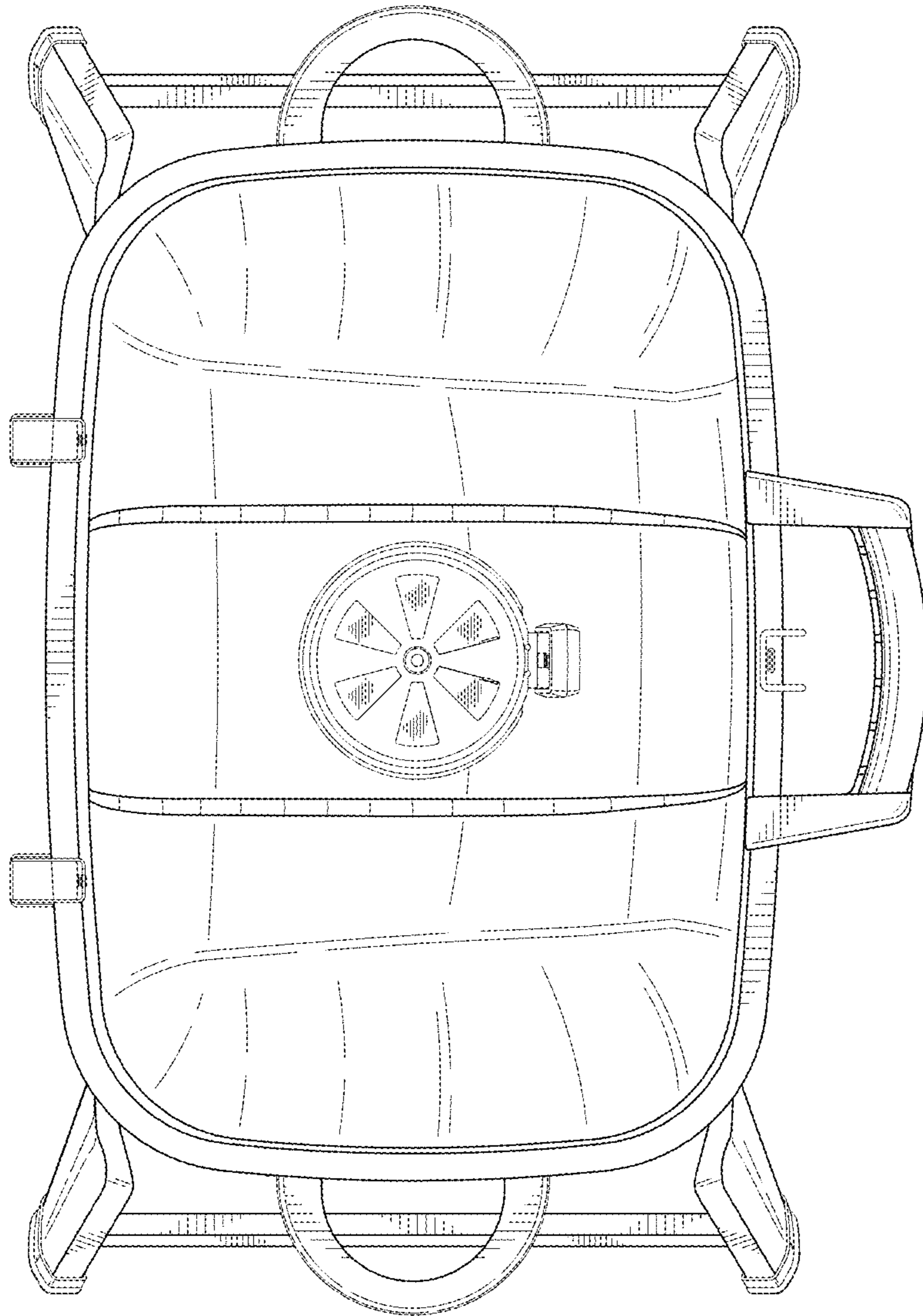


FIG. 6

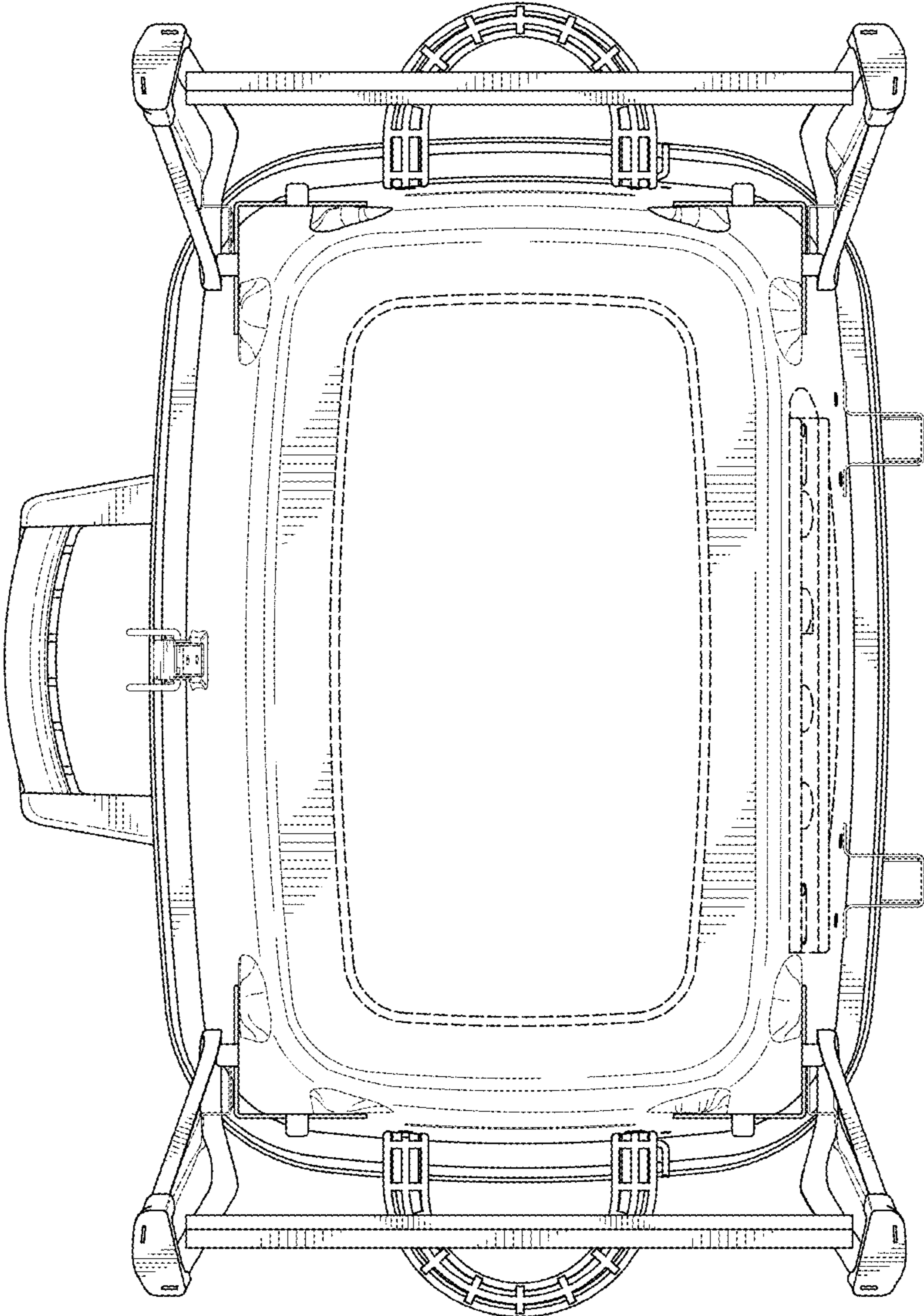


FIG. 7