



US00D802352S

(12) **United States Design Patent**  
**McCabe et al.**

(10) **Patent No.:** **US D802,352 S**

(45) **Date of Patent:** **\*\* Nov. 14, 2017**

- (54) **BARREL EVAPORATOR**
- (71) Applicants: **Justin McCabe**, Montpelier, VT (US);  
**Peter Whelley**, Moultonborough, NH (US); **Patrick Whelley**, Crownsville, MD (US)
- (72) Inventors: **Justin McCabe**, Montpelier, VT (US);  
**Peter Whelley**, Moultonborough, NH (US); **Patrick Whelley**, Crownsville, MD (US)
- (73) Assignee: **Vermont Evaporator Company, LLC**,  
Montpelier, VT (US)
- (\*\*) Term: **15 Years**
- (21) Appl. No.: **29/559,817**
- (22) Filed: **Mar. 31, 2016**
- (51) **LOC (10) Cl.** ..... **07-02**
- (52) **U.S. Cl.**  
USPC ..... **D7/332**
- (58) **Field of Classification Search**  
USPC ..... D7/332, 334, 402, 403, 408, 409, 417  
CPC ..... C13B 25/001; A23L 5/21; B01D 9/0022;  
F23B 90/04; F24B 1/10  
See application file for complete search history.

- 5,049,199 A \* 9/1991 Capen ..... C13B 25/001  
127/9
- 5,201,957 A \* 4/1993 Thelwall ..... B01D 9/0022  
127/16
- 5,389,209 A \* 2/1995 Paquette ..... B01D 3/06  
127/34
- 7,794,547 B2 \* 9/2010 Mann ..... B08B 3/02  
122/379

(Continued)

**OTHER PUBLICATIONS**

Woodhave Place reference #1 found online [May 4, 2017] <http://woodhavenpl.com/maple-syrup-55-gallon-drum-evaporator/>.\*

(Continued)

*Primary Examiner* — Robert M Spear

*Assistant Examiner* — John Voytek

(74) *Attorney, Agent, or Firm* — Justin W. McCabe;  
Dunkiel Saunders Elliott Raubvogel & Hand, PLLC

(57) **CLAIM**

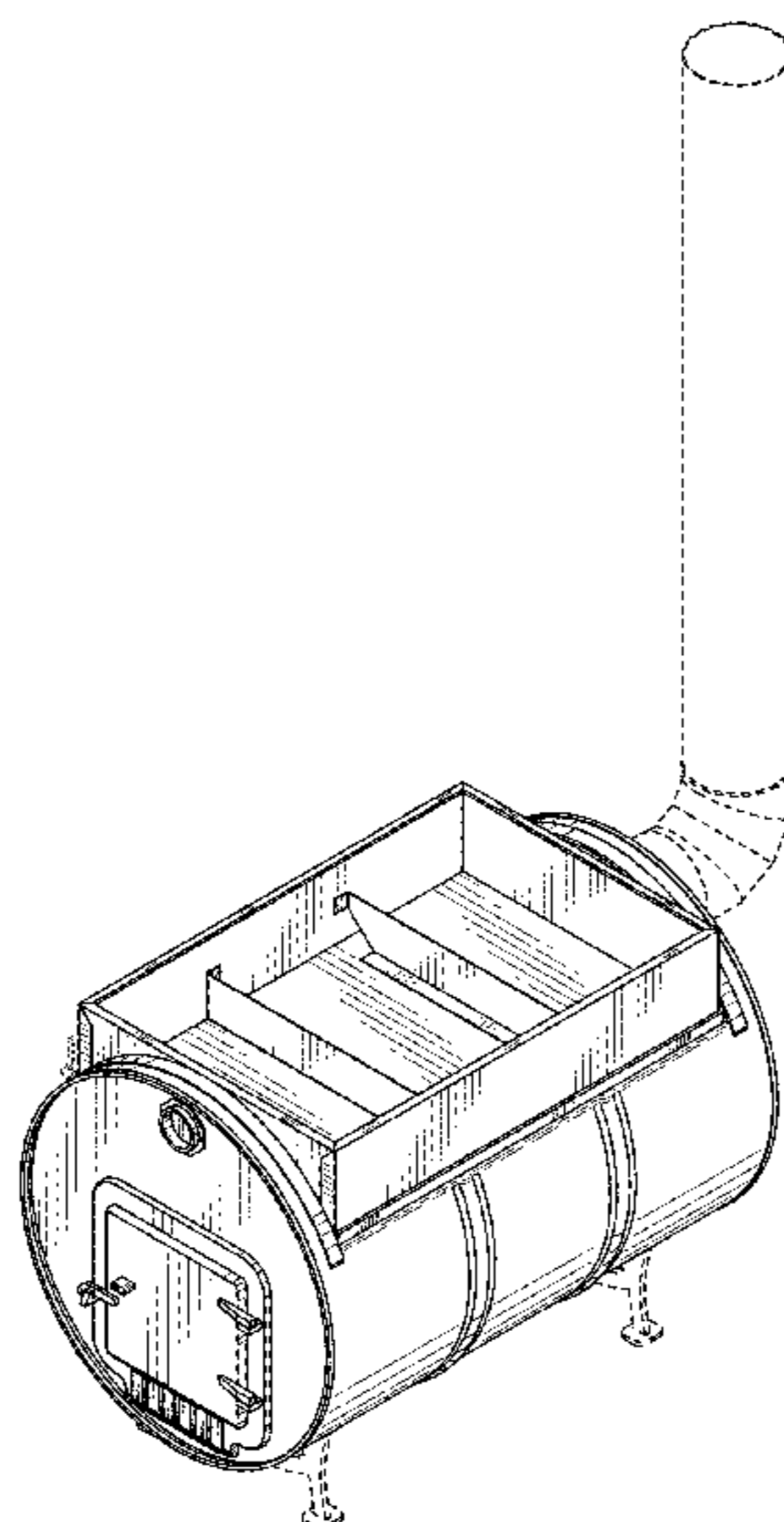
The ornamental design for a barrel evaporator, as shown and described.

**DESCRIPTION**

FIG. 1 is a perspective view of a barrel evaporator of the present invention;  
FIG. 2 is a perspective view of the barrel evaporator of FIG. 1, shown in a different environment;  
FIG. 3 is a front view of the barrel evaporator of FIG. 1;  
FIG. 4 is a rear view of the barrel evaporator of FIG. 1;  
FIG. 5 is a left view of the barrel evaporator of FIG. 1;  
FIG. 6 is a right view of the barrel evaporator of FIG. 1.  
FIG. 7 is a top view of the barrel evaporator of FIG. 1; and,  
FIG. 8 is a bottom view of the barrel evaporator of FIG. 1.  
In the drawings, the broken lines depict environmental subject matter only and form no part of the claimed design.

**1 Claim, 8 Drawing Sheets**

- (56) **References Cited**  
U.S. PATENT DOCUMENTS  
709,297 A \* 9/1902 Bender ..... B01D 1/12  
122/34  
884,272 A \* 4/1908 Grimm ..... C13B 25/001  
159/46  
3,527,281 A \* 9/1970 Hamill ..... B01D 1/12  
159/17.1  
4,819,615 A \* 4/1989 Richardson ..... C13B 25/001  
127/16  
5,005,555 A \* 4/1991 Vogelzang ..... F24B 1/10  
126/289



(56)

**References Cited**

U.S. PATENT DOCUMENTS

2012/0272876 A1\* 11/2012 Bergeron ..... F23B 90/04  
110/297  
2014/0352687 A1\* 12/2014 Cote ..... C13B 20/165  
127/9  
2015/0314214 A1\* 11/2015 Bilodeau ..... A23L 5/21  
159/20.2

OTHER PUBLICATIONS

Woodhave Place reference #2 found online [May 4, 2017] <http://woodhavenpl.com/maple-syrup-55-gallon-drum-evaporator/>.\*

\* cited by examiner

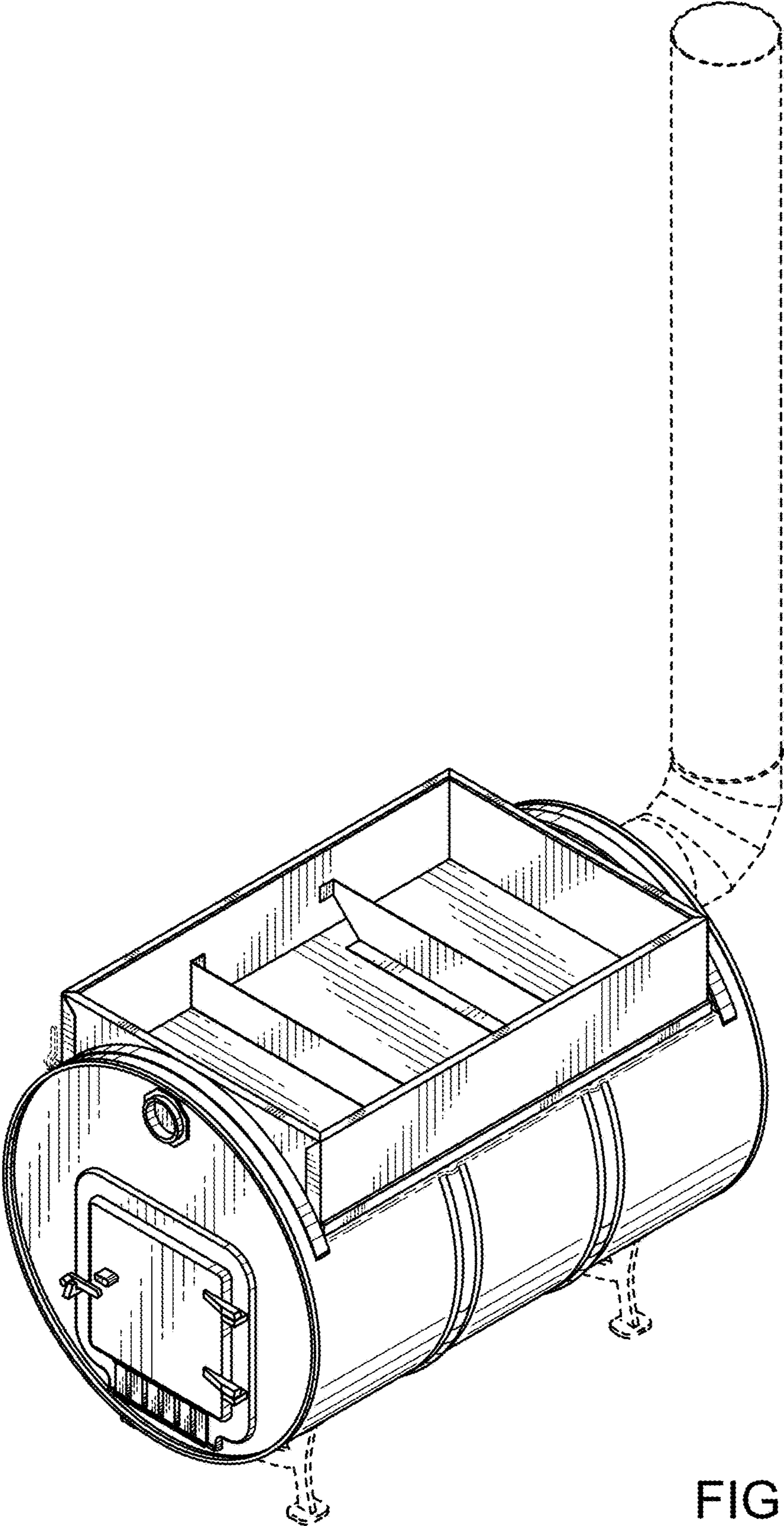


FIG. 1

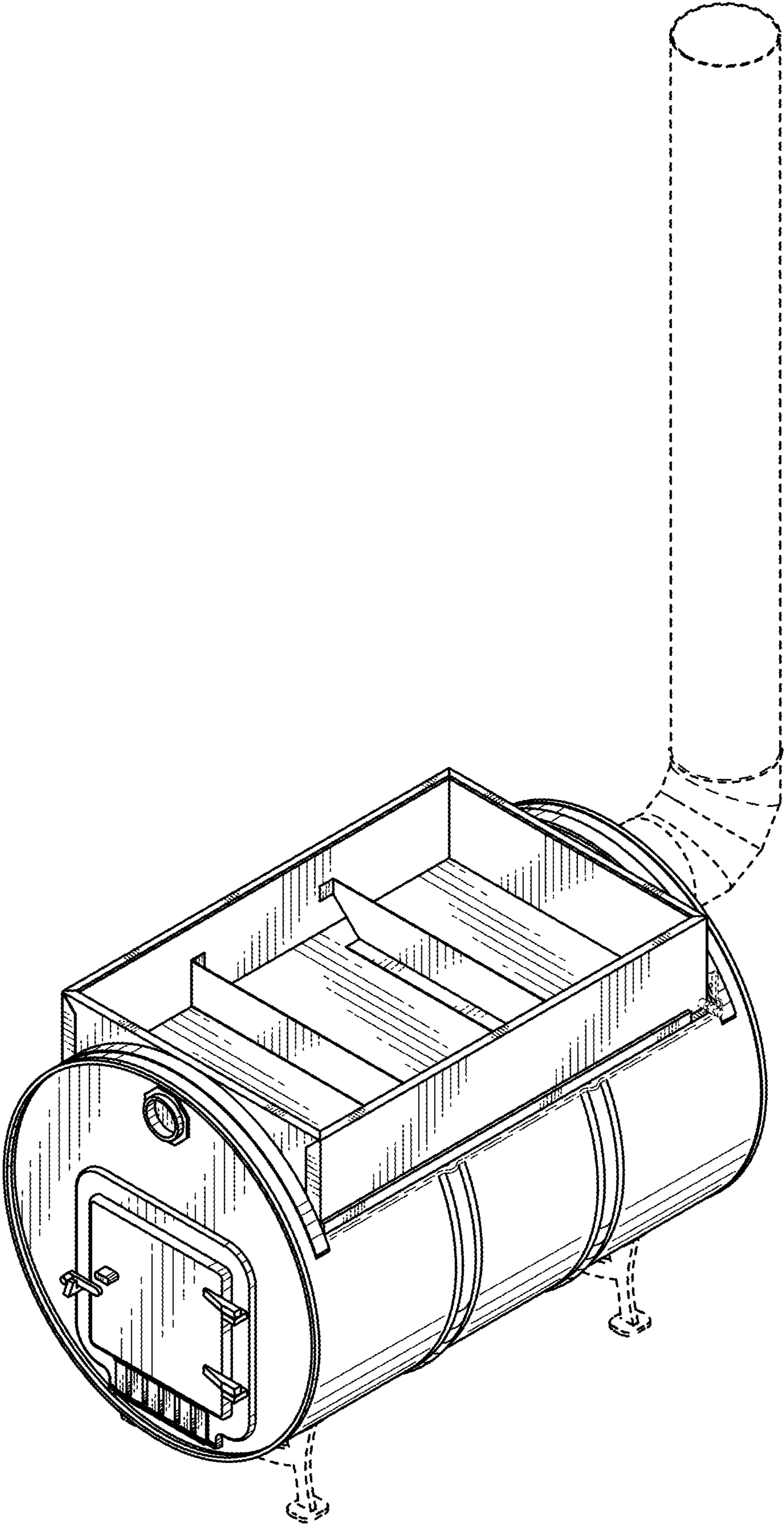


FIG. 2

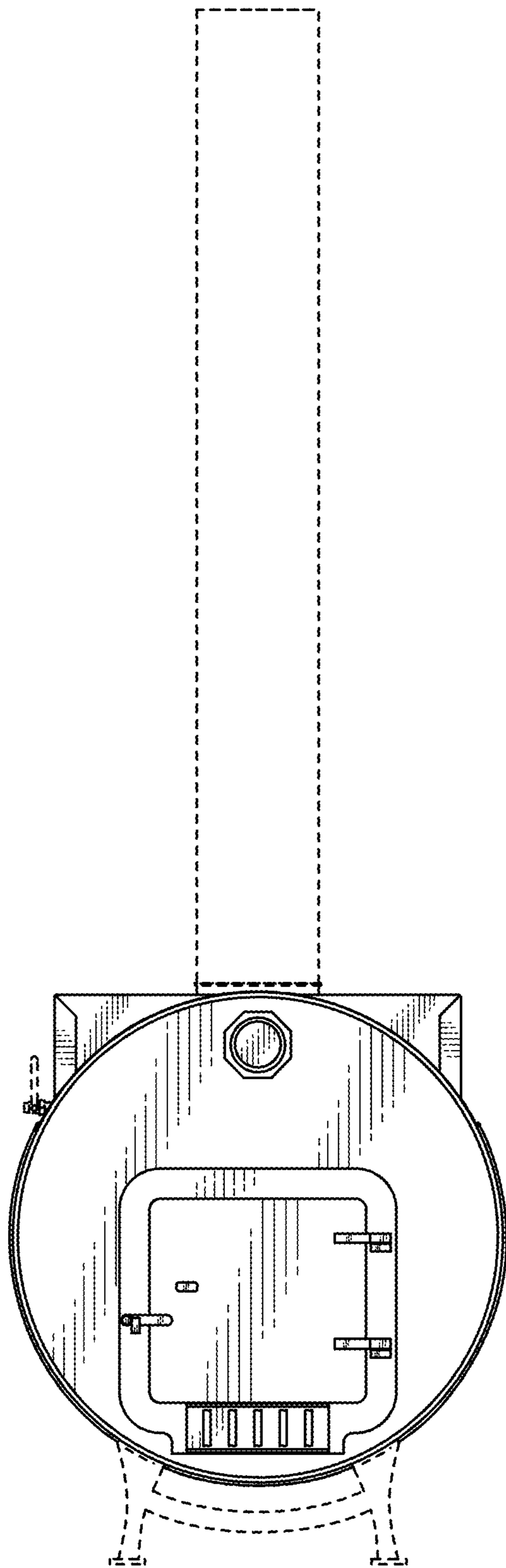


FIG. 3

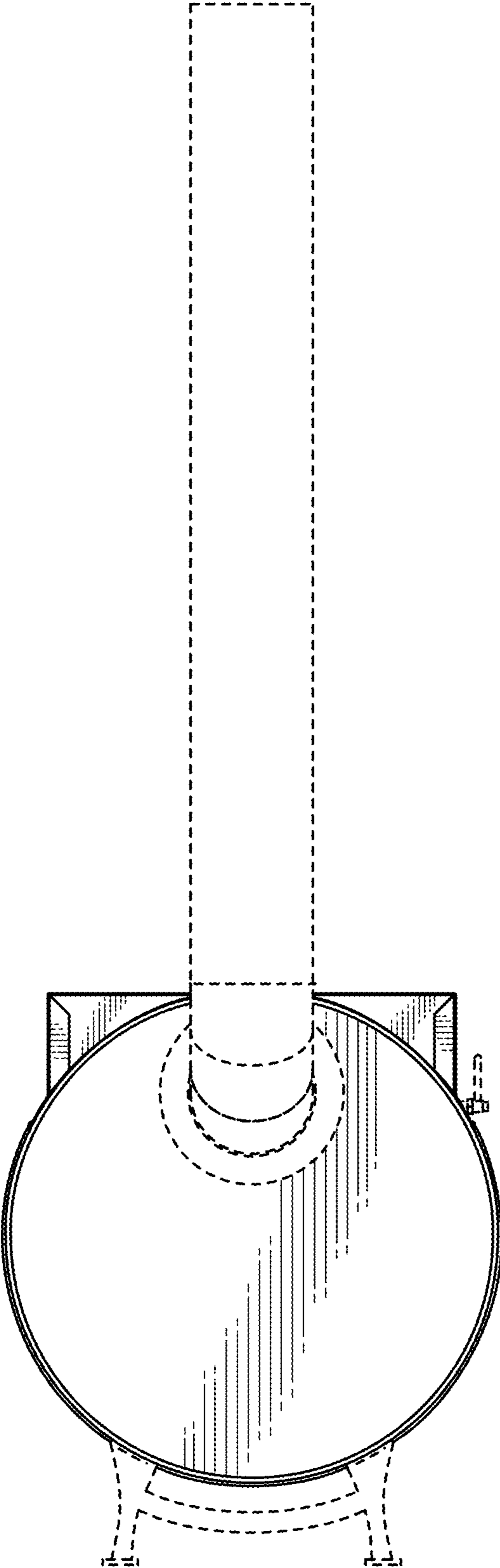


FIG. 4

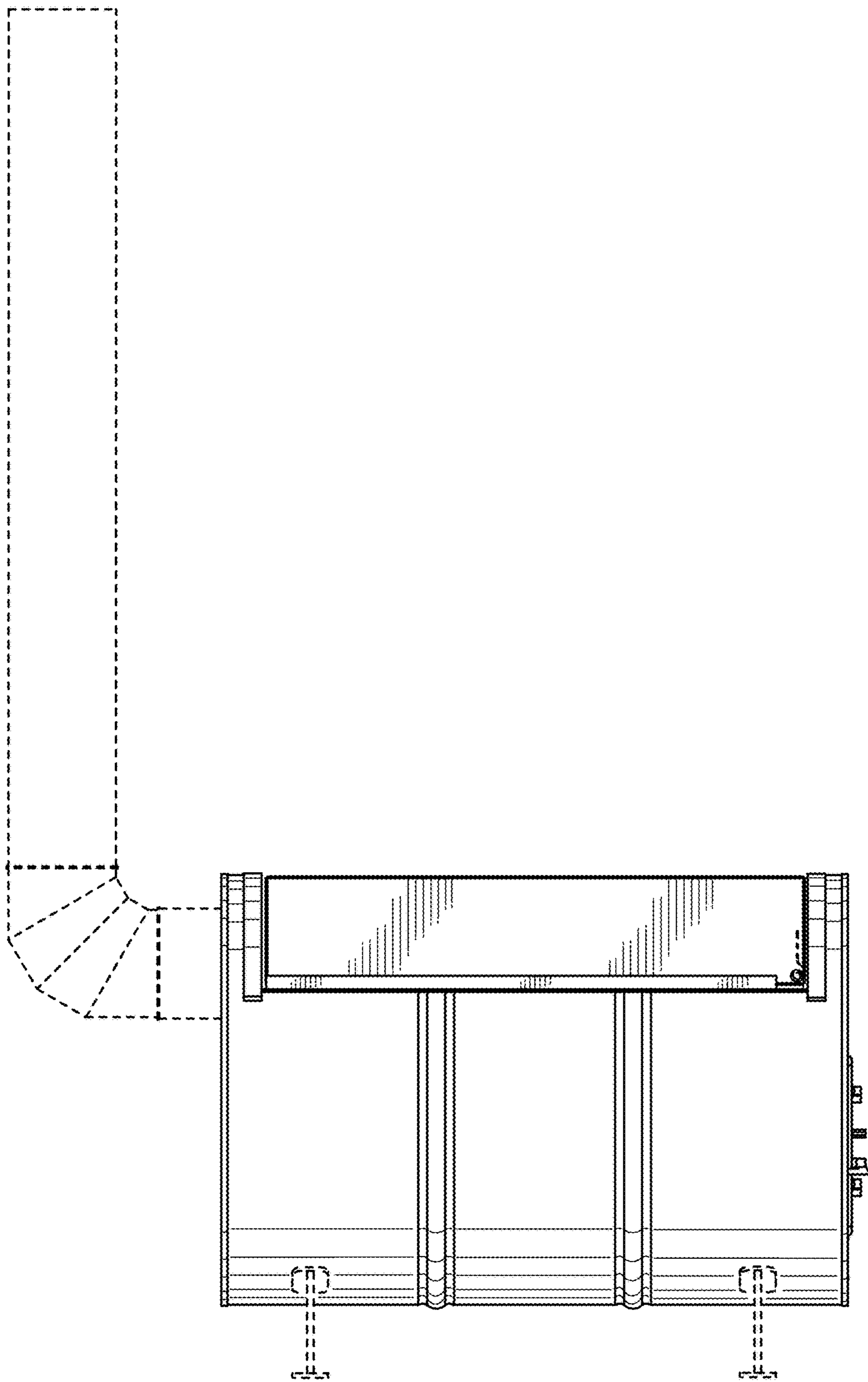


FIG. 5

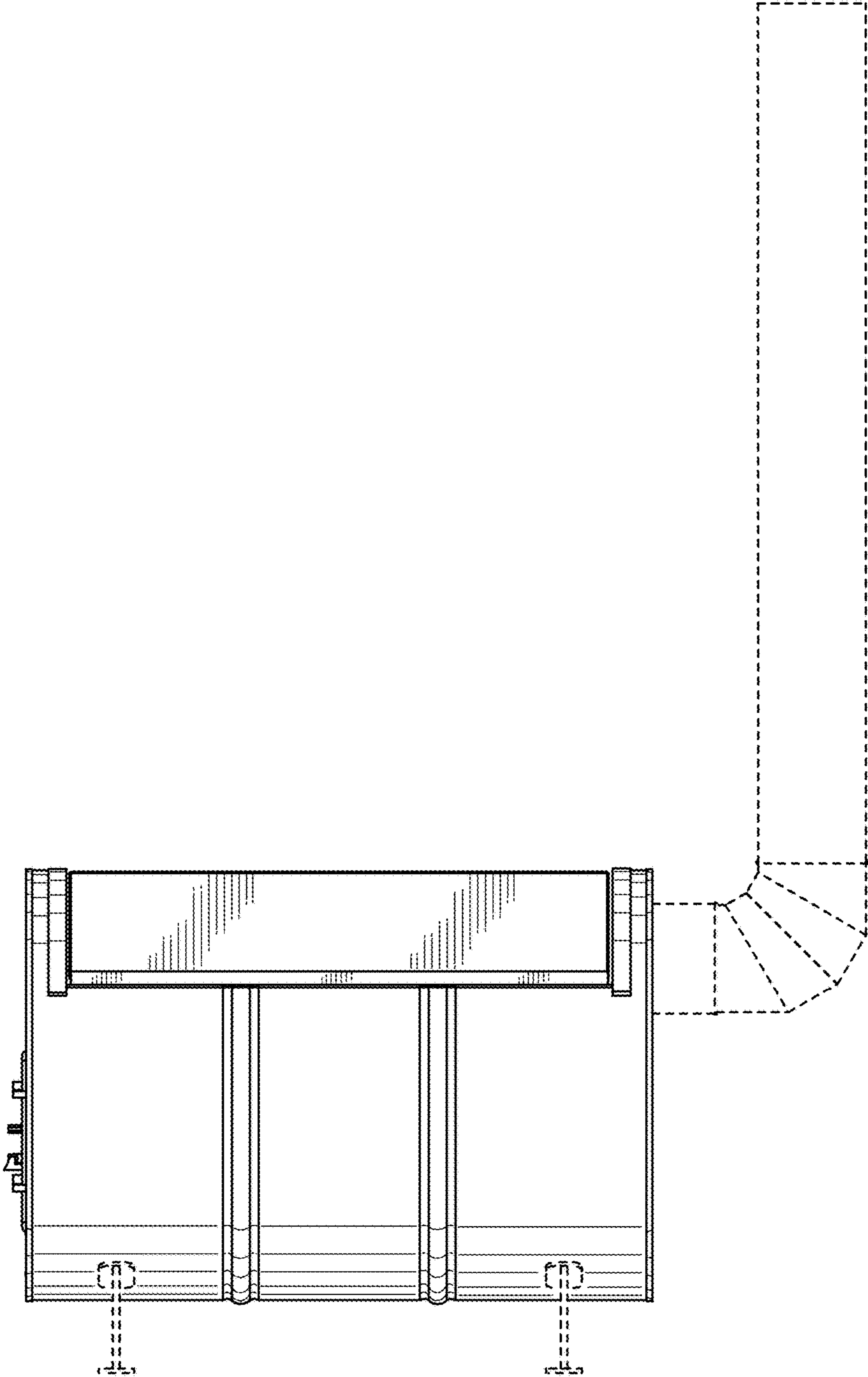


FIG. 6



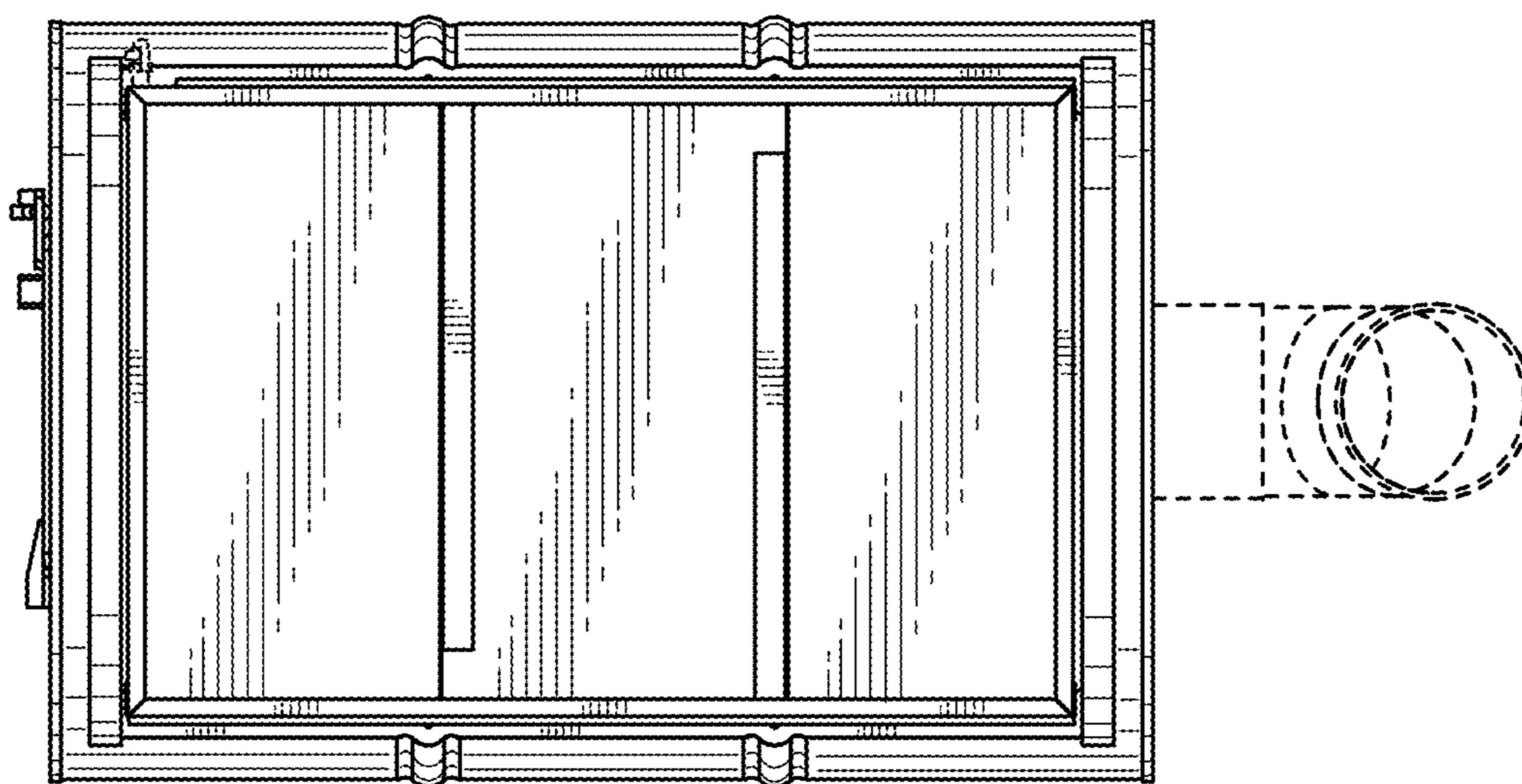


FIG. 7

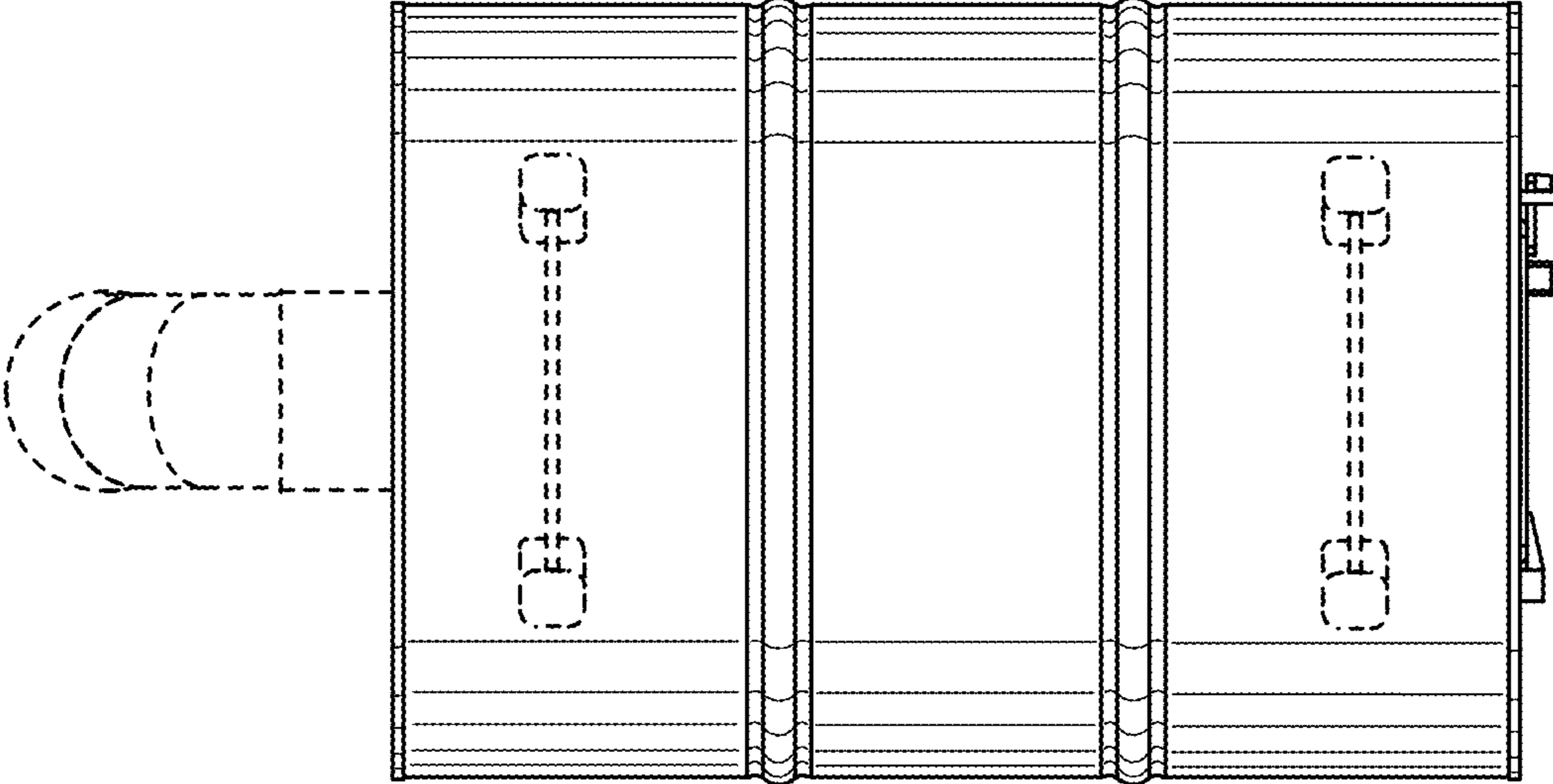


FIG. 8