

US00D802350S

(12) **United States Design Patent** (10) **Patent No.:** **US D802,350 S**
Vazin (45) **Date of Patent:** **** Nov. 14, 2017**

(54) **MASON JAR**
(71) Applicant: **AMERICAN MADE PLASTIC INC.,**
Riverside, CA (US)
(72) Inventor: **Moe Vazin,** Riverside, CA (US)
(73) Assignee: **American Made Plastic, Inc.,**
Riverside, CA (US)
(**) Term: **15 Years**
(21) Appl. No.: **29/564,275**
(22) Filed: **May 11, 2016**
(51) **LOC (10) Cl.** **07-01**
(52) **U.S. Cl.**
USPC **D7/306; D7/311; D7/313**
(58) **Field of Classification Search**
USPC **D7/305-311, 313, 589, 608; D15/82;**
222/129.1, 146.6; 99/295; D9/516, 530,
D9/560
CPC **B67D 3/0009; B67D 1/36; B67D**
2210/0065; B67D 1/0864; B67D 3/0061;
B67D 1/1477; B67D 3/0012; A47J
31/4403; A47J 31/46; A47J 31/4482;
A47J 31/369; A47J 31/407; A47J 31/30;
A47J 31/20; A47J 4/025
See application file for complete search history.

D584,109 S * 1/2009 Krog D7/313
D602,301 S * 10/2009 Romandy 313/309
D609,521 S * 2/2010 Holsinger D7/313
7,712,364 B2 * 5/2010 Radhakrishnan A47J 31/50
73/304 C
D676,331 S * 2/2013 Hartford D9/544
8,794,485 B2 * 8/2014 Lunn B67D 3/0012
222/146.6
D720,173 S * 12/2014 Polakoff D7/306
D747,970 S * 1/2016 Maas D7/306
9,260,283 B2 * 2/2016 Minica B67D 1/0085
D760,088 S * 6/2016 Kaye D9/516
2002/0145009 A1 * 10/2002 Busick B01D 35/143
222/146.6
2008/0264877 A1 * 10/2008 Davis B67D 3/0009
210/760

* cited by examiner

Primary Examiner — Marianne Pandozzi
(74) *Attorney, Agent, or Firm* — Smyrski Law Group, A
P.C.

(57) **CLAIM**

The ornamental design of mason jar, as shown and described.

DESCRIPTION

FIG. 1 is a top perspective view showing the top, front, and right sides of a mason jar;
FIG. 2 is a front elevation view of the mason jar;
FIG. 3 is a rear elevation view of the mason jar;
FIG. 4 is a left side elevation view of the mason jar;
FIG. 5 is a right side elevation view of the mason jar;
FIG. 6 is a bottom plan view of the mason jar; and,
FIG. 7 is a top plan view of the mason jar.
The broken lines in the drawing depict portions of the mason jar that form no part of the claimed design.

1 Claim, 4 Drawing Sheets

(56) **References Cited**

U.S. PATENT DOCUMENTS

D271,877 S * 12/1983 Hoff D15/81
D358,289 S * 5/1995 Thies D7/306
D400,390 S * 11/1998 Gebhard D7/306
D530,141 S * 10/2006 Wilgus D7/313
D558,583 S * 1/2008 Langbein D9/560

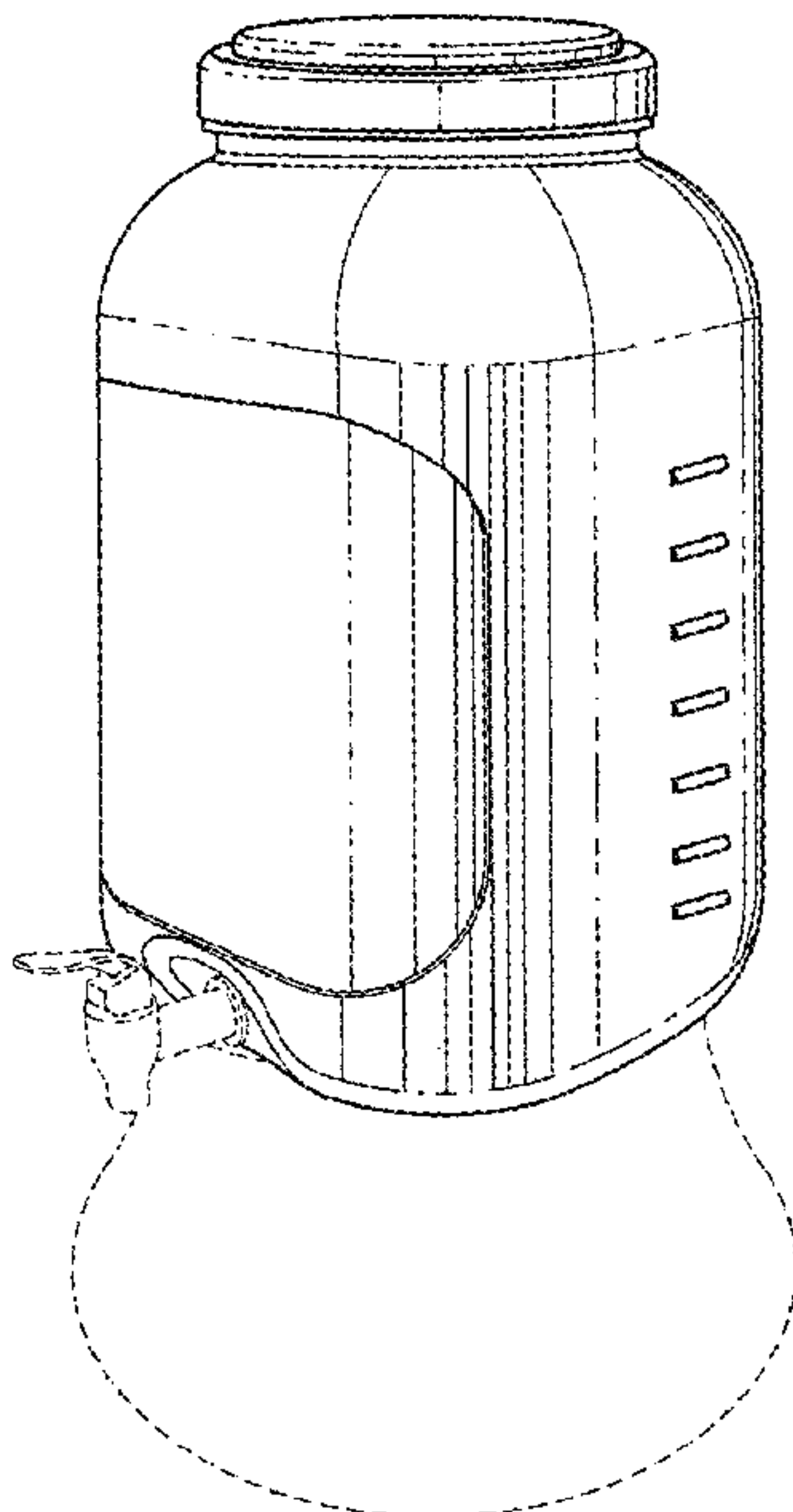
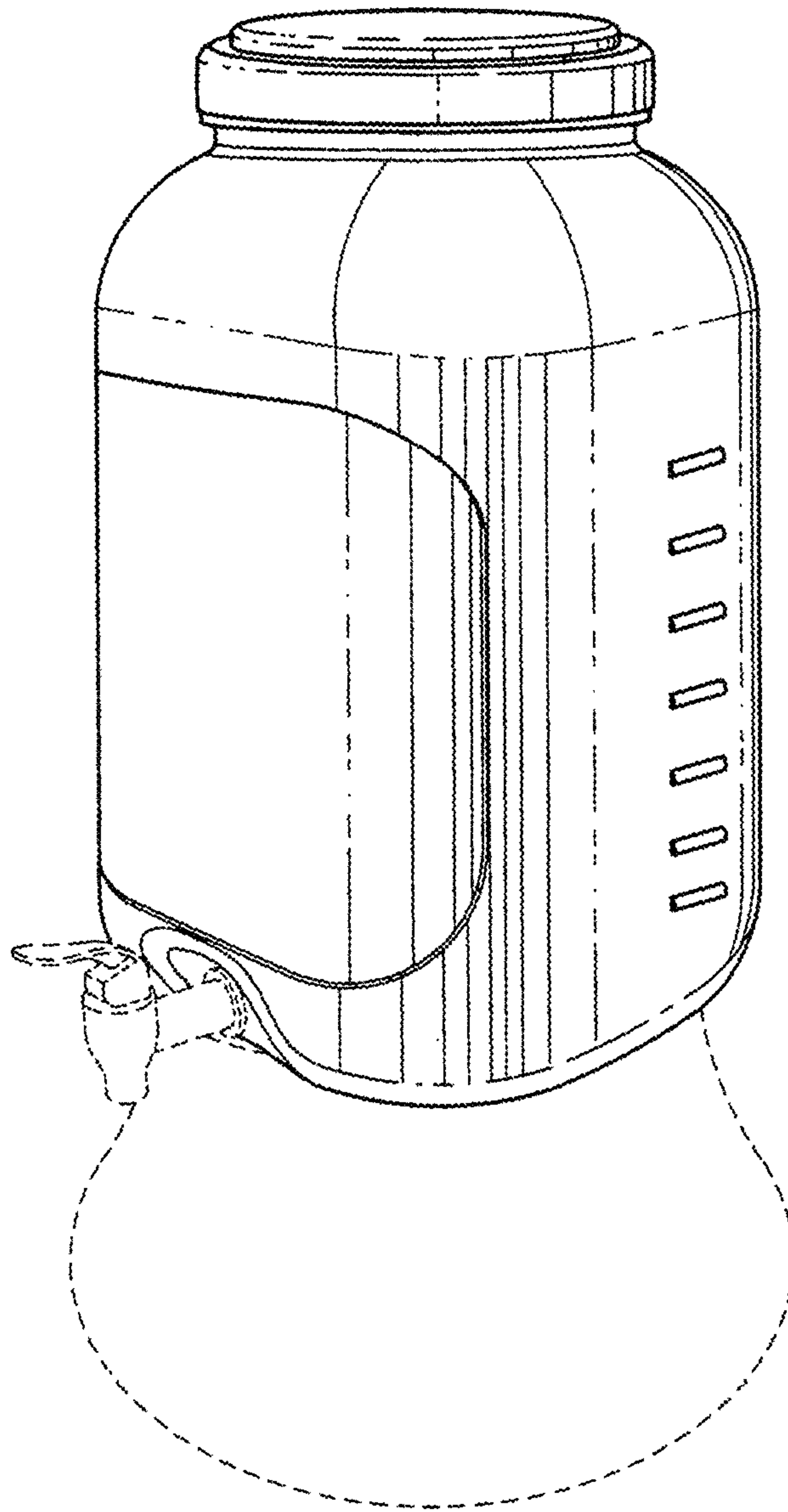


FIG. 1



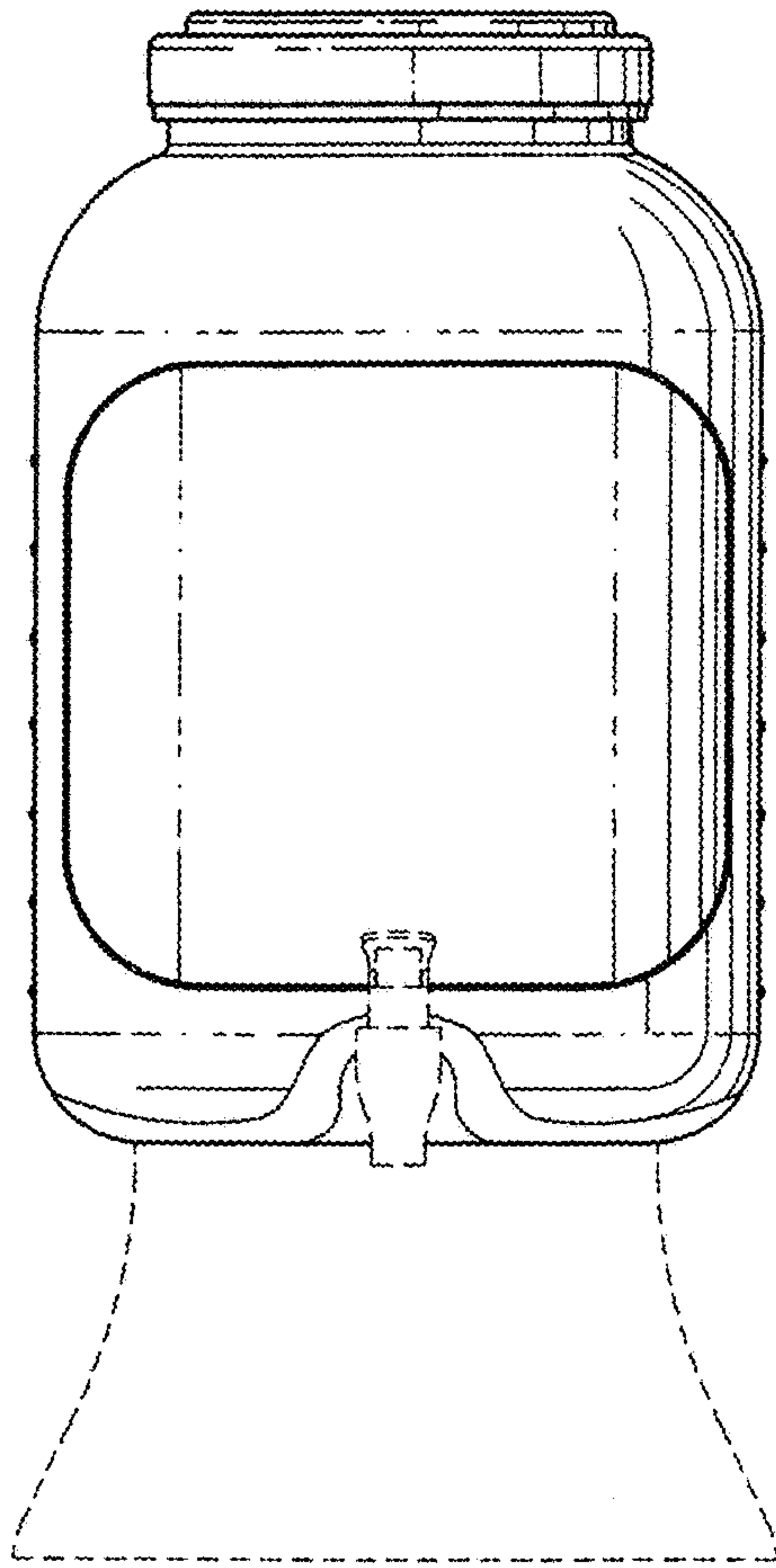


FIG. 2

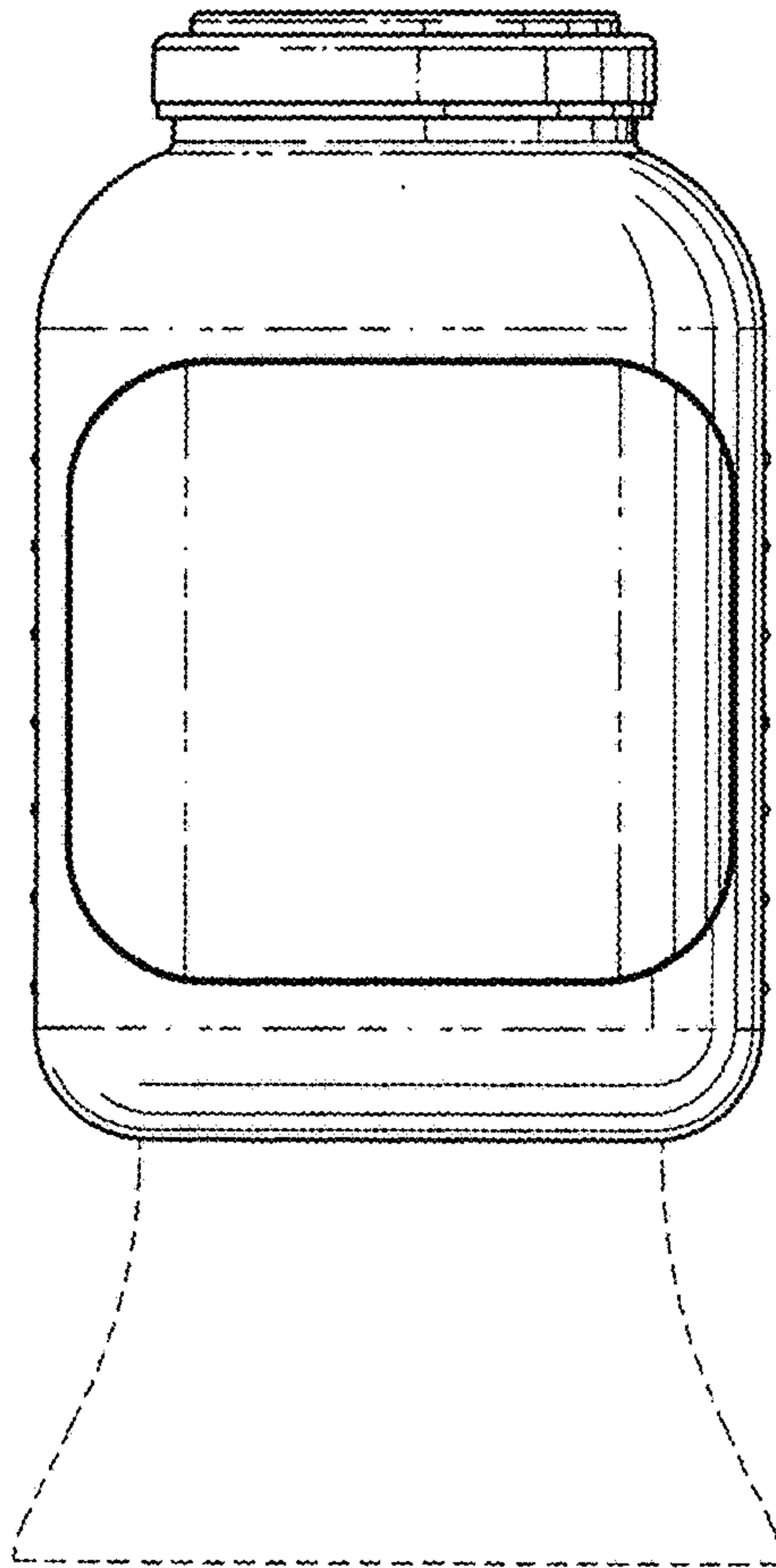


FIG. 3

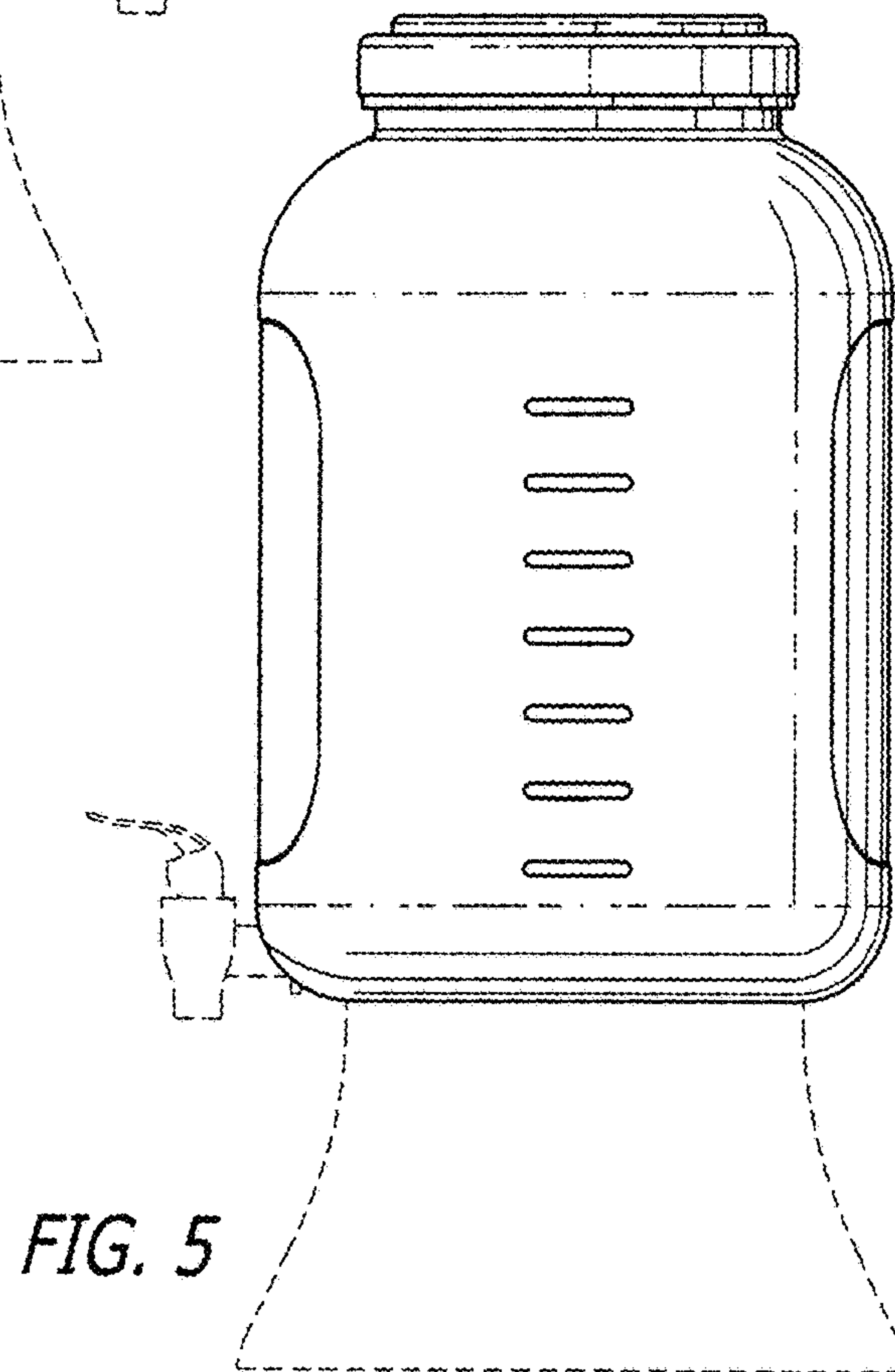
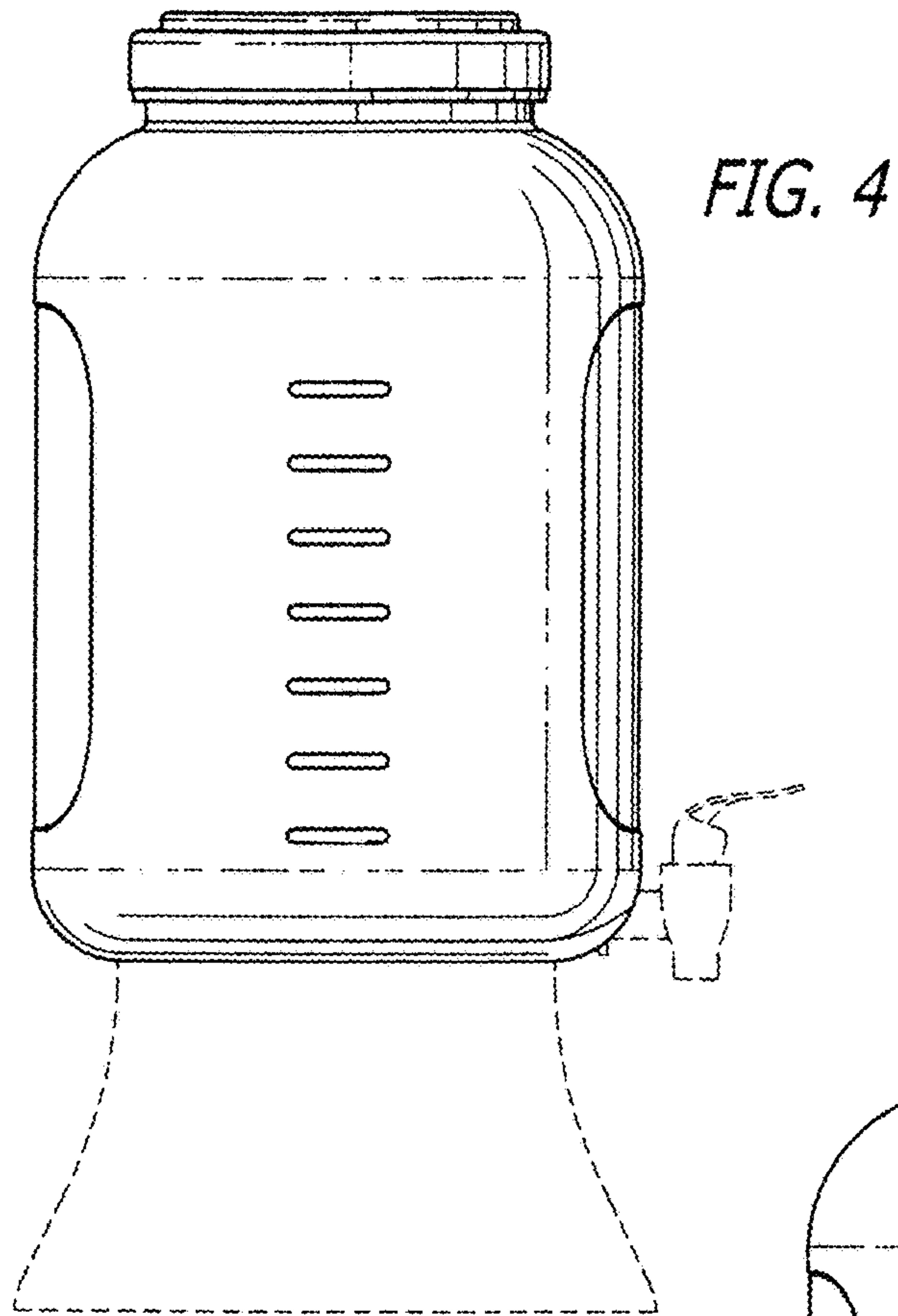


FIG. 6

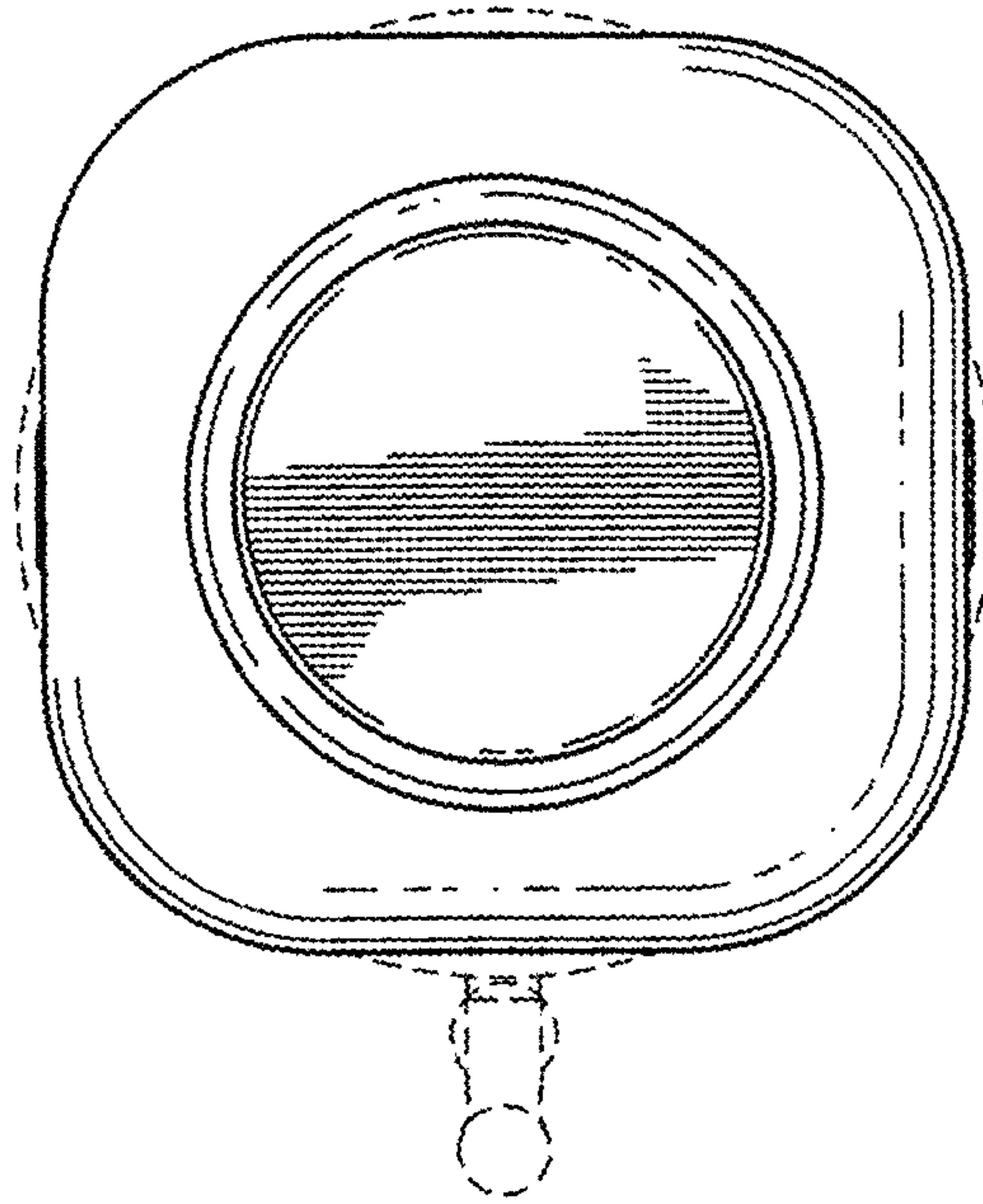


FIG. 7

