



US00D802349S

(12) **United States Design Patent** (10) **Patent No.:** **US D802,349 S**
Resic (45) **Date of Patent:** **** Nov. 14, 2017**

(54) **SHAKER BOTTLE**
(71) Applicant: **Ziip Bottles AB**, Malmo (SE)
(72) Inventor: **Mevludin Resic**, Malmo (SE)
(73) Assignee: **ZIIP BOTTLES AB**, Malmo (SE)

2006/0016819 A1 1/2006 Paslawski et al.
2008/0169259 A1 7/2008 Nelson et al.
2009/0188884 A1 7/2009 Nelson et al.
2011/0303659 A1 12/2011 Perlman
2014/0332528 A1 11/2014 Blum et al.
2015/0250349 A1 9/2015 Ng et al.

(**) Term: **15 Years**
(21) Appl. No.: **29/576,746**
(22) Filed: **Sep. 7, 2016**

FOREIGN PATENT DOCUMENTS

EP 0263536 4/1988
EP 0287170 4/1988
EP 2356033 10/2012
WO 9415846 7/1994
WO 9737841 10/1997

(Continued)

(30) **Foreign Application Priority Data**

Mar. 7, 2016 (EM) 003018696-0001

(51) **LOC (10) Cl.** **07-01**

(52) **U.S. Cl.**
USPC **D7/300.1**

(58) **Field of Classification Search**
USPC D7/300.1, 510, 511, 392.1, 391, 396.2,
D7/900; D9/447, 503, 504, 523, 530,
D9/547; D10/46.2; 220/592.01, 592.17,
220/592.16, 694, 703, 711
CPC . B65D 1/22; B65D 1/18; B65D 43/02; B65D
51/18; B65D 41/56; A47J 43/27; A47G
19/22

See application file for complete search history.

(56) **References Cited**

U.S. PATENT DOCUMENTS

4,082,184 A * 4/1978 Hammer B65D 1/22
206/519
D662,794 S * 7/2012 Enghard D7/700
D729,005 S * 5/2015 Lee D7/399
D729,014 S * 5/2015 Nemeth D7/533
D758,215 S * 6/2016 Yamazaki D10/46.2
D774,833 S * 12/2016 Likar D7/558
D781,713 S * 3/2017 Papernik D9/566

Primary Examiner — Daniel Bui

Assistant Examiner — Andrew Kerr

(74) *Attorney, Agent, or Firm* — Brooks Kushman P.C.

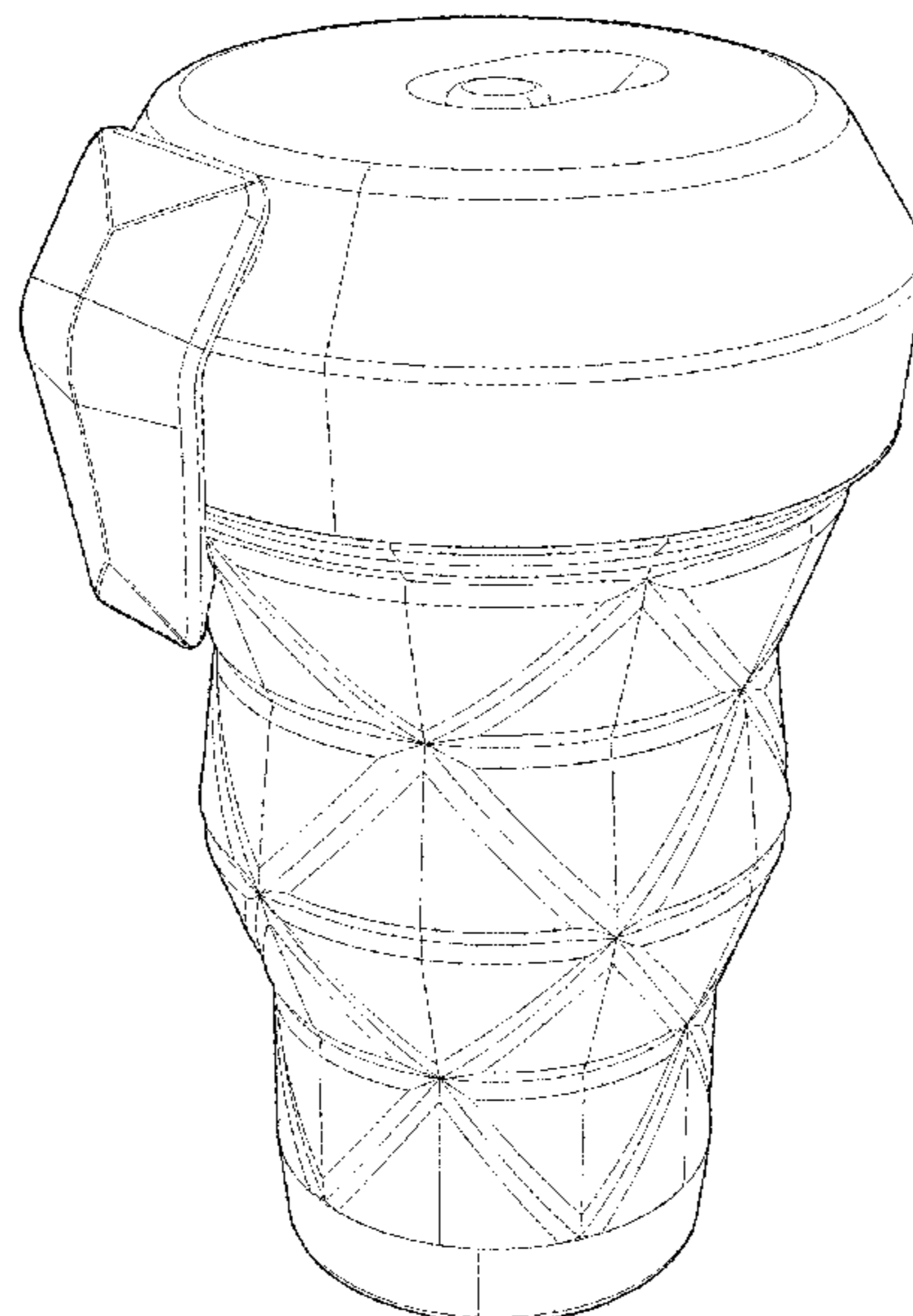
(57) **CLAIM**

The ornamental design for a shaker bottle, as shown and described.

DESCRIPTION

FIG. 1 is a perspective view of my shaker bottle;
FIG. 2 is a partial perspective view of my shaker bottle with the spout cover hinged to the open position;
FIG. 3 is a front side elevational view of my shaker bottle;
FIG. 4 is a left side elevational view of my shaker bottle, the right side view being a mirror image thereof;
FIG. 5 is a cut-a-way cross-sectional view taken along line 5-5 of FIG. 2 of my shaker bottle; no claim is made to the bottle internal structure or to the wall thickenings;
FIG. 6 is a top plan view of my shaker bottle; and,
FIG. 7 is a bottom plan view of my shaker bottle.
The broken lines in the drawing views represent unclaimed portions of a shaker bottle, which are included for the purpose of illustrating unclaimed environment only, and forms no part of the claimed design.

1 Claim, 6 Drawing Sheets



(56)

References Cited

FOREIGN PATENT DOCUMENTS

WO	2004014739	2/2004
WO	2011055152	5/2011
WO	2011133854	10/2011

* cited by examiner

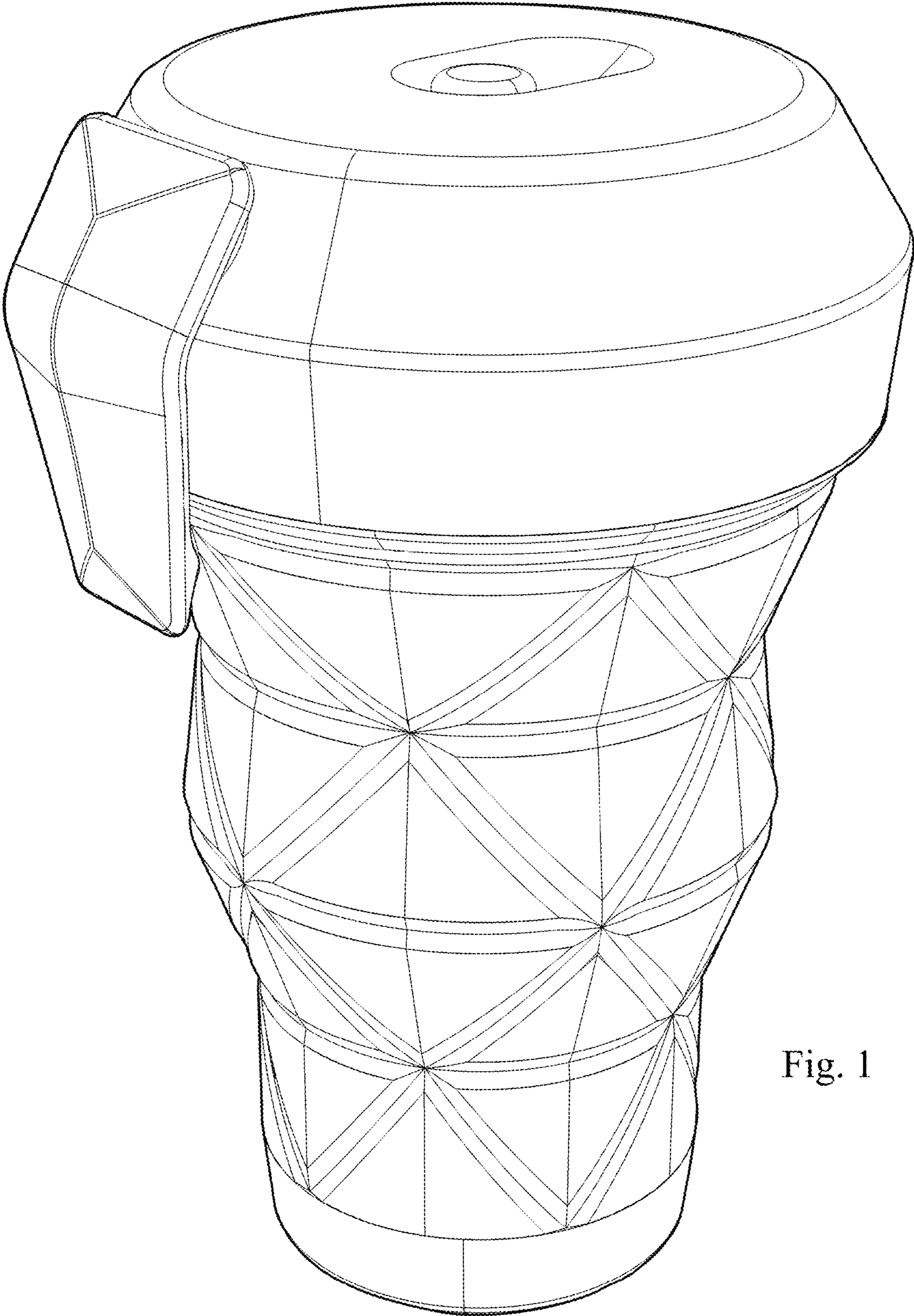


Fig. 1

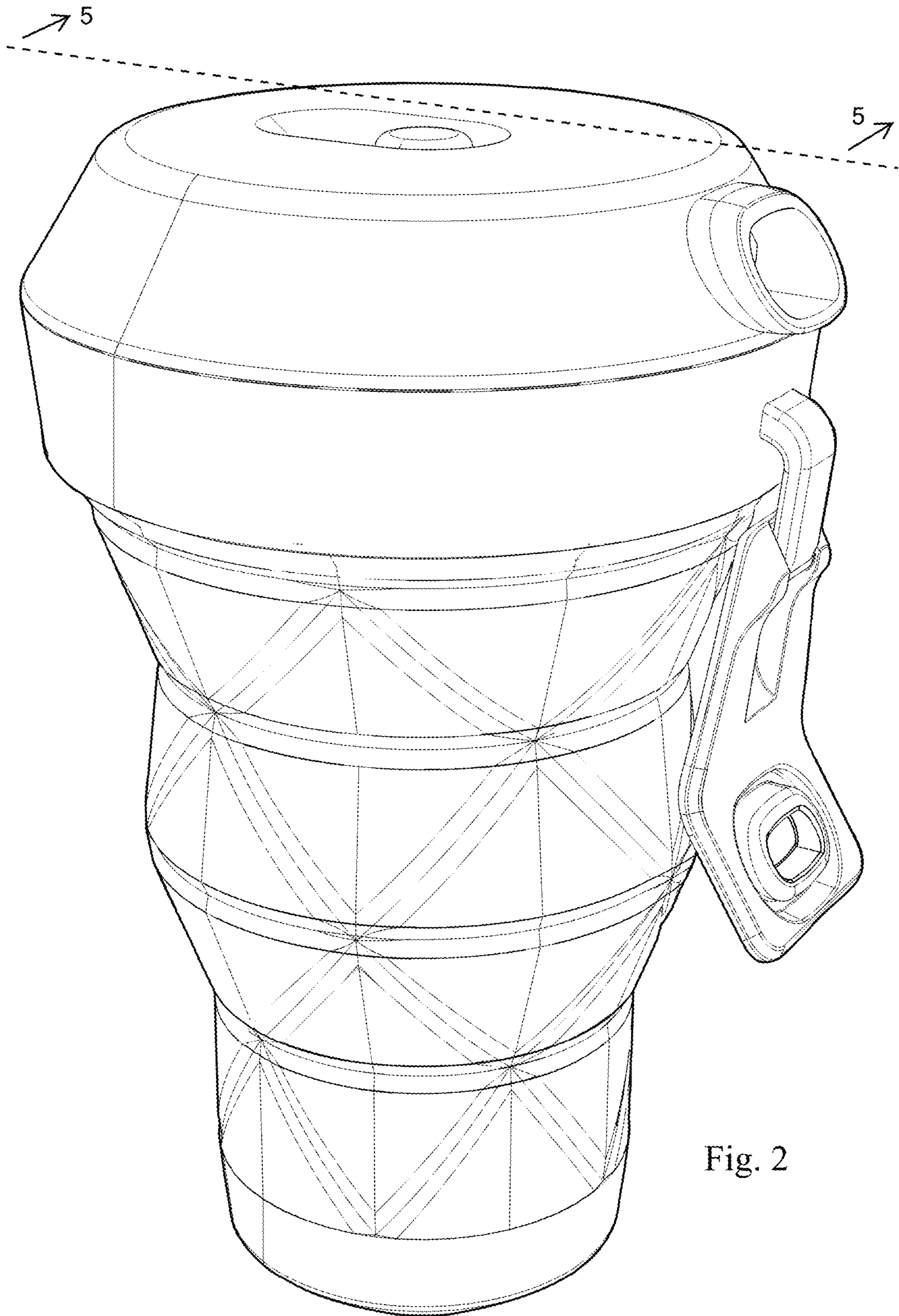


Fig. 2

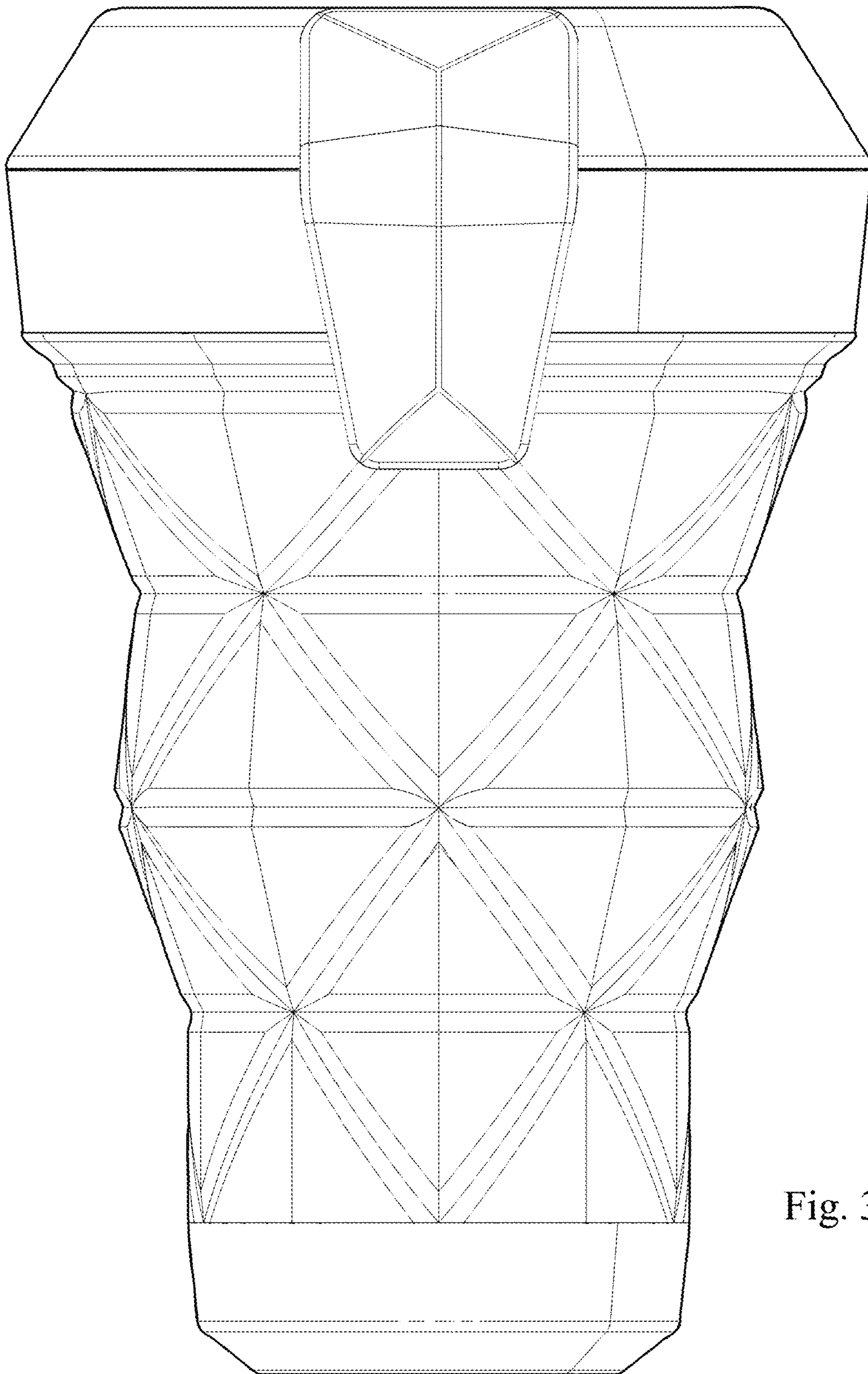


Fig. 3

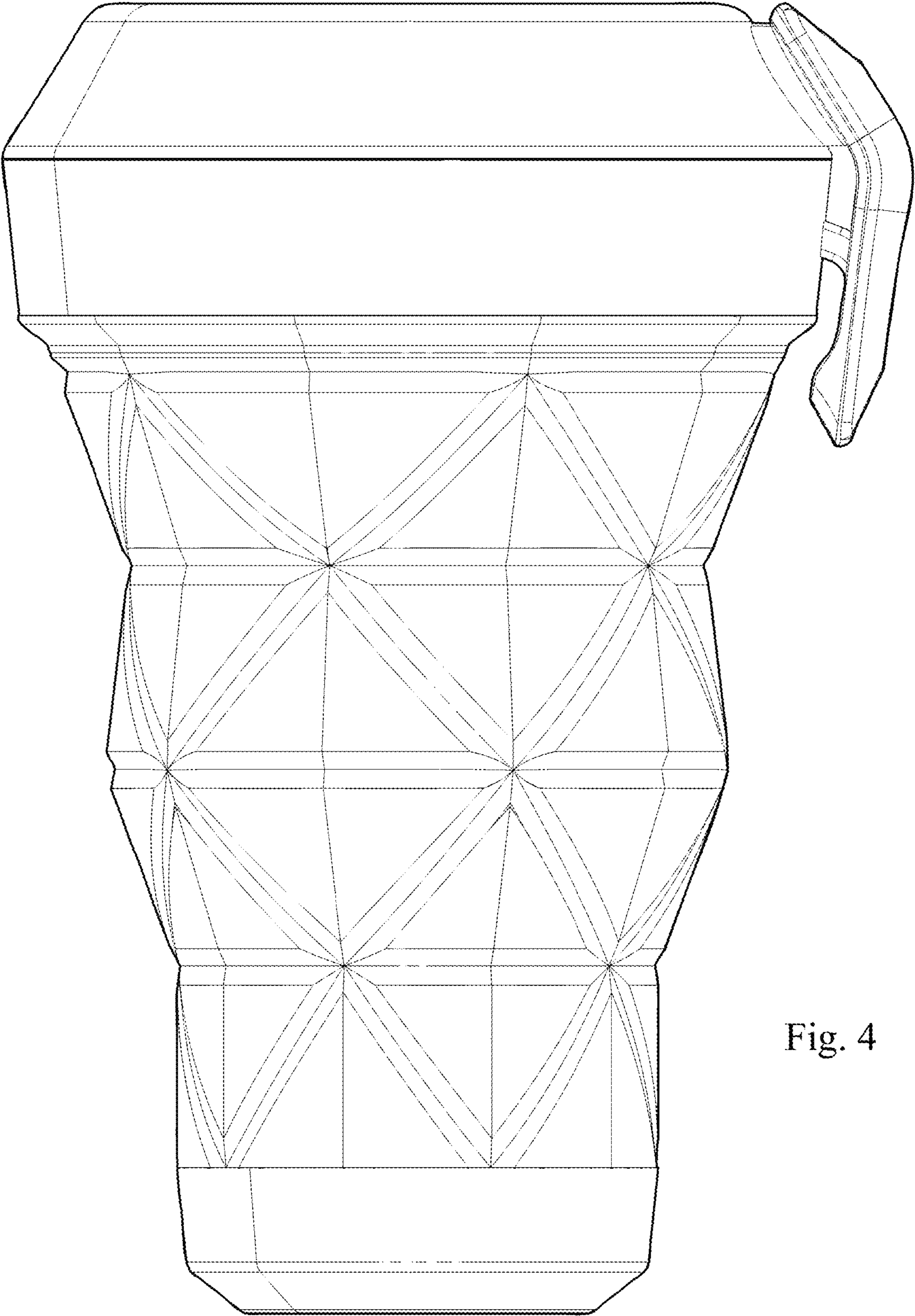


Fig. 4

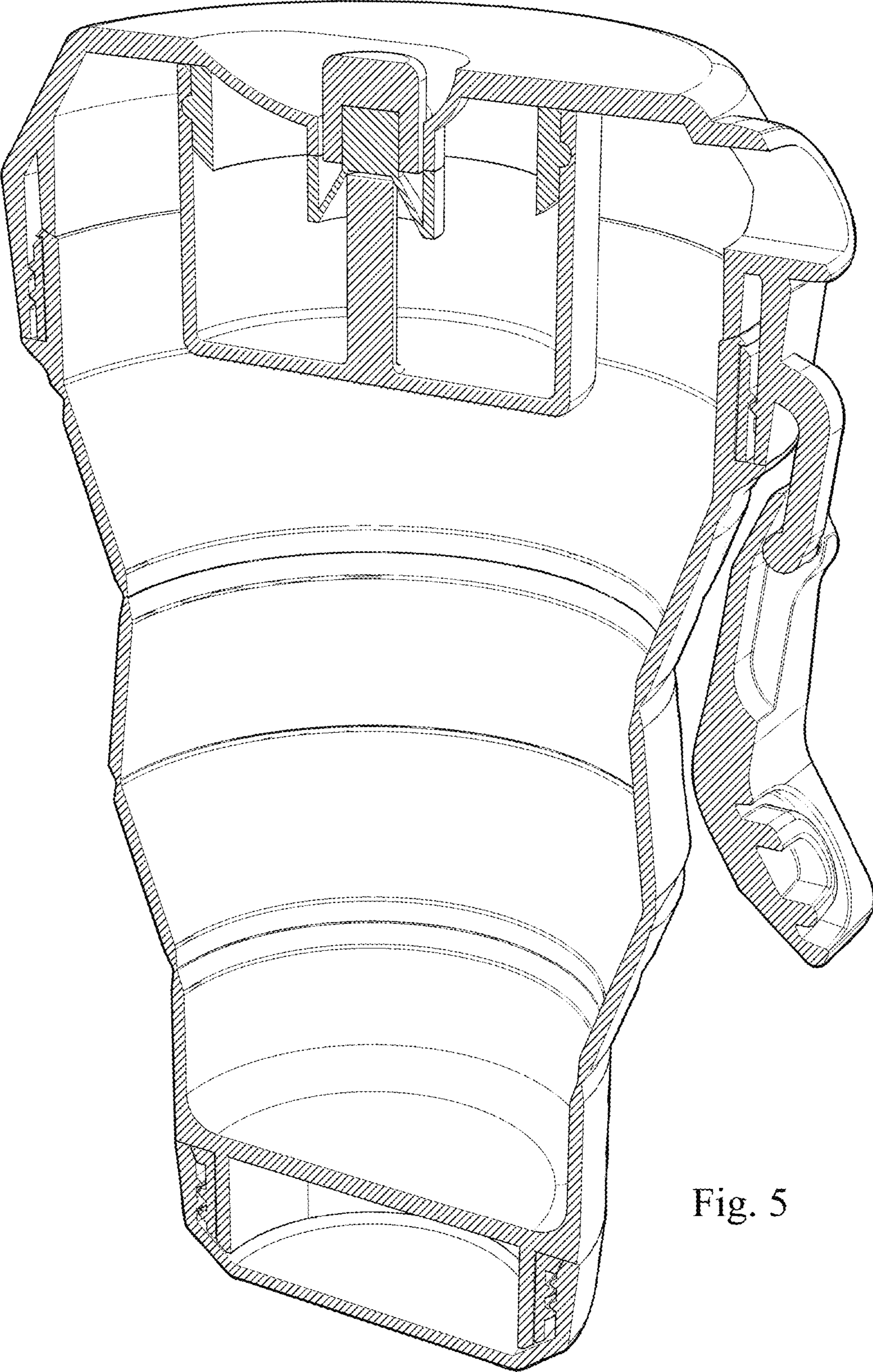


Fig. 5

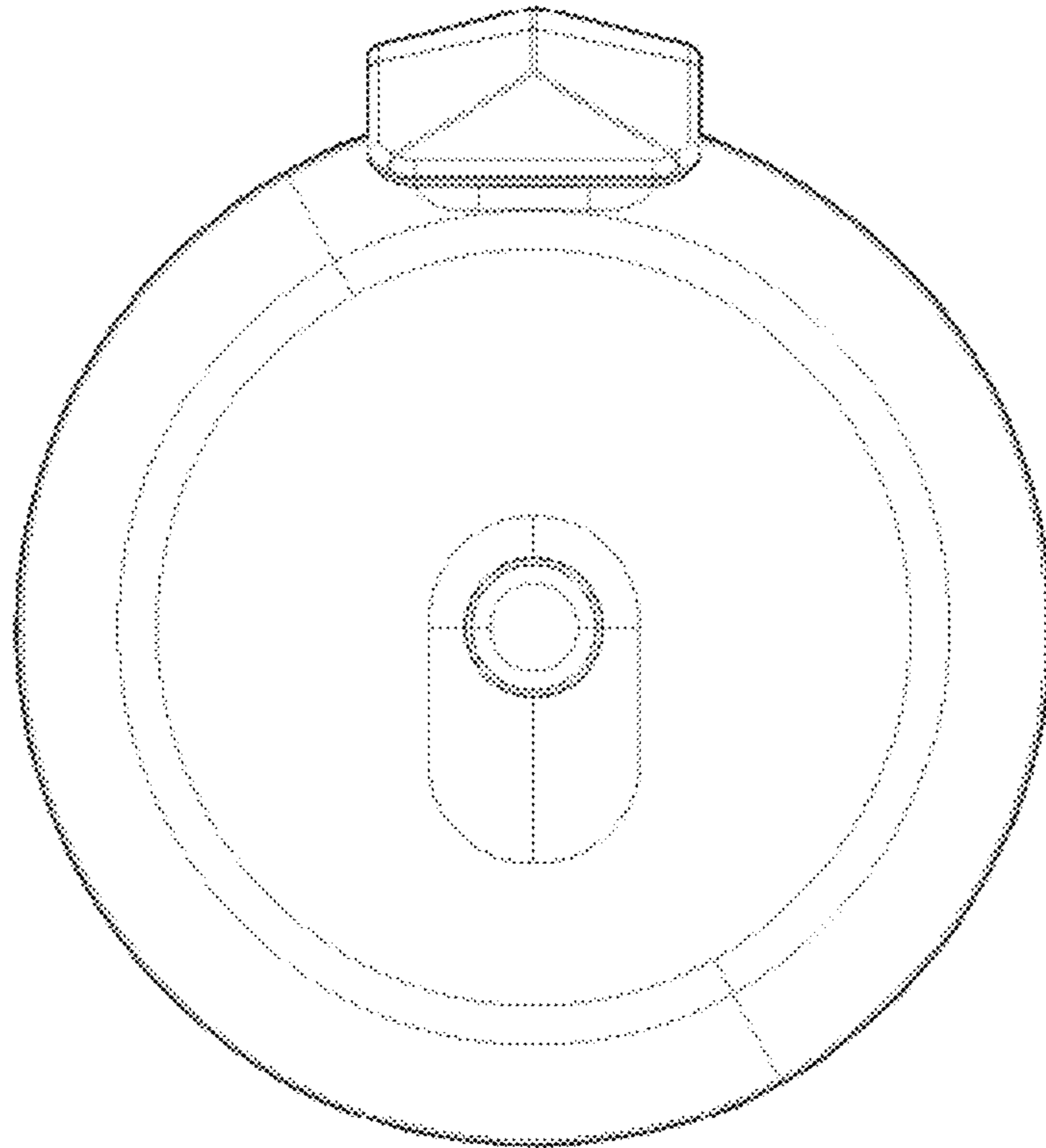


Fig. 6

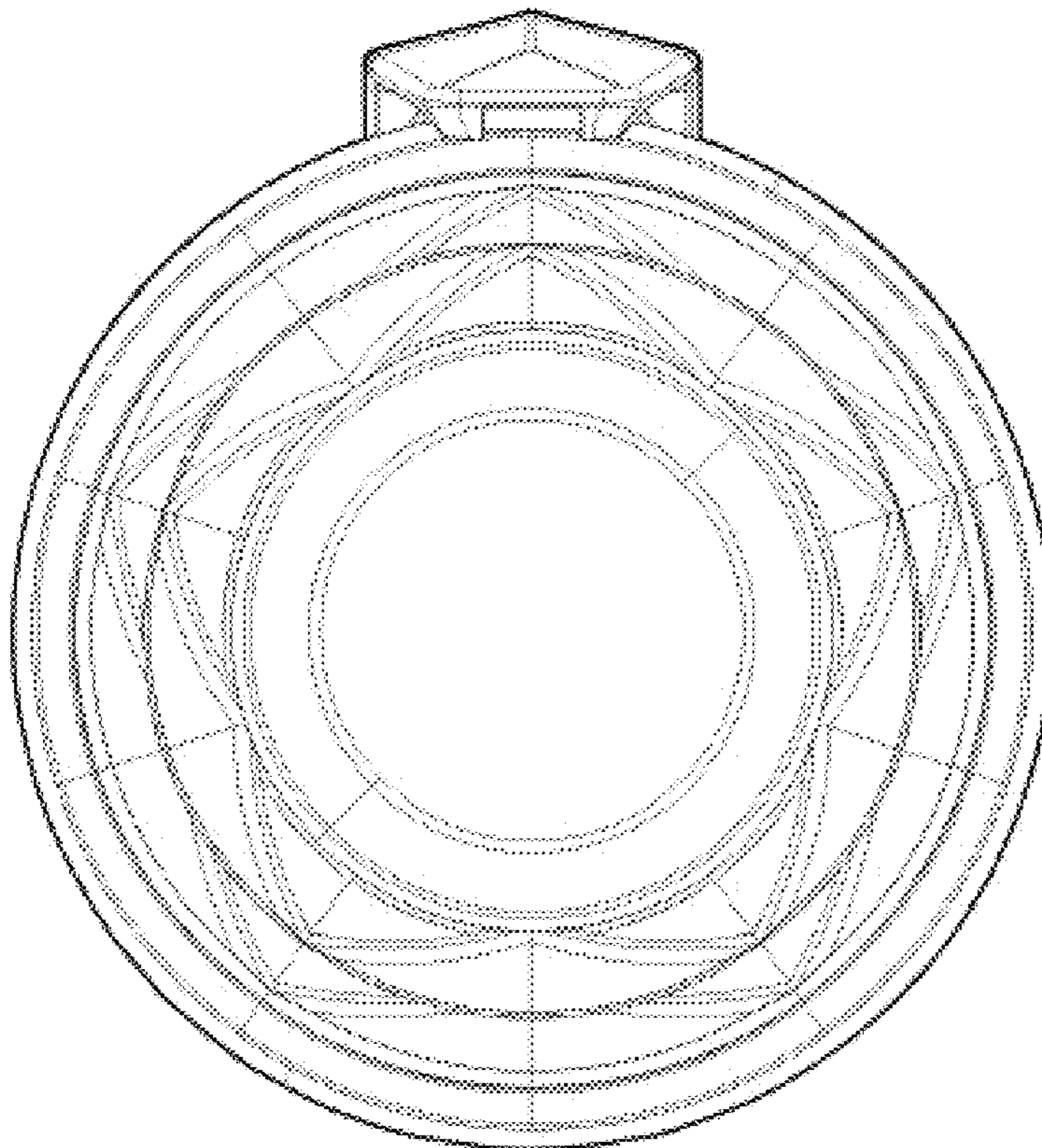


Fig. 7