



US00D802347S

(12) **United States Design Patent**
Yoshida

(10) **Patent No.:** **US D802,347 S**

(45) **Date of Patent:** **** Nov. 14, 2017**

- (54) **BENCH**
- (71) Applicant: **OKAMURA CORPORATION**,
Yokohama-shi, Kanagawa (JP)
- (72) Inventor: **Ryousuke Yoshida**, Yokohama (JP)
- (73) Assignee: **Okamura Corporation**, Yokohama-shi,
Kanagawa (JP)

- 5,553,551 A * 9/1996 Crombie A01G 9/1423
108/181
- D430,679 S * 9/2000 Rodgers D25/63
- D507,129 S * 7/2005 Harwanko D6/675.2
- D510,492 S * 10/2005 Sakurai D6/709
- D557,936 S * 12/2007 Van Es D6/675.3
- D571,577 S * 6/2008 Van Es D6/678.2
- D648,157 S * 11/2011 McCurry D6/717
- D686,438 S * 7/2013 Denby D6/687

(Continued)

- (**) Term: **15 Years**
- (21) Appl. No.: **29/560,676**
- (22) Filed: **Apr. 8, 2016**

OTHER PUBLICATIONS

Bekväm Step stool IKEA. [online] Retrieved Jul. 11, 2017 from
URL: <http://www.ikea.com/au/en/catalog/products/50225592/>*

(Continued)

- (30) **Foreign Application Priority Data**
Oct. 14, 2015 (JP) 2015-022652
- (51) **LOC (10) Cl.** **06-06**
- (52) **U.S. Cl.**
USPC **D6/709.21; D6/350**
- (58) **Field of Classification Search**
USPC D6/334, 349-355, 363, 360, 368, 374,
D6/403, 405, 657, 675.4, 685, 688.17,
D6/690, 691.9, 693-693.3, 695, 696, 708,
D6/708.15-708.25, 709, 709.2-709.22,
D6/716, 717; D25/62-65
CPC A47C 9/00-9/105; A47C 7/00-7/02; A47C
16/00-16/04; A47B 7/00-7/02; A47B
3/00; A47B 3/02; A47B 3/04; A47B 3/12
See application file for complete search history.

Primary Examiner — Vy N Koenig
(74) *Attorney, Agent, or Firm* — Sughrue Mion, PLLC

(57) **CLAIM**

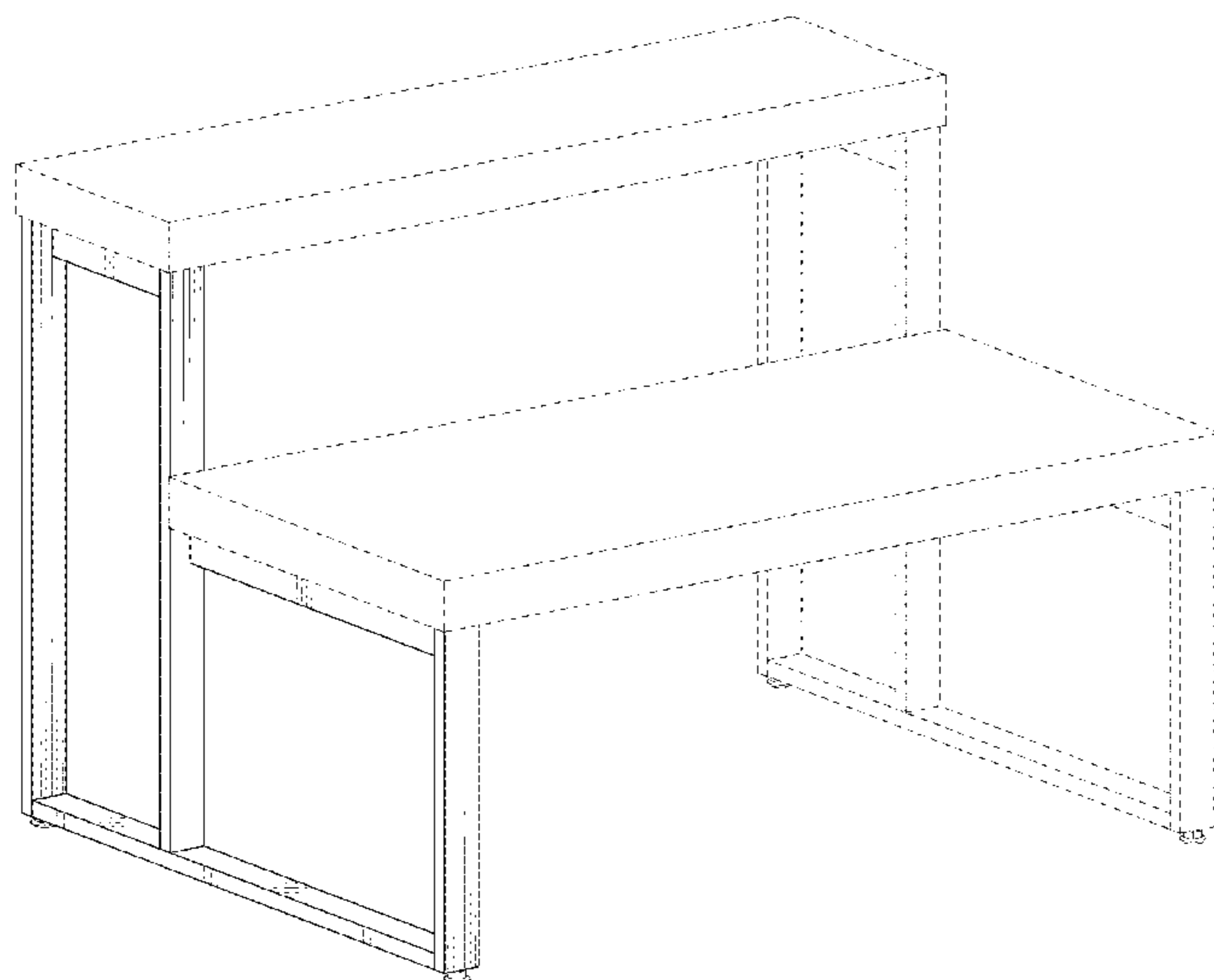
The ornamental design for a bench, as shown and described.

DESCRIPTION

FIG. 1 is a perspective view of a bench.
 FIG. 2 is a front elevation view thereof.
 FIG. 3 is a rear elevation view thereof.
 FIG. 4 is a right side elevation view thereof.
 FIG. 5 is a left side elevation view thereof.
 FIG. 6 is a top plan view thereof.
 FIG. 7 is a bottom plan view thereof.
 FIG. 8 is a cross-sectional view taken along the line 8-8 in
 FIG. 2.
 FIG. 9 is a cross-sectional view taken along the line 9-9 in
 FIG. 6; and,
 FIG. 10 is a cross-sectional view taken along the line 10-10
 in FIG. 6.
 The broken lines shown in the drawings illustrate portions of
 the bench that form no part of the claimed design.

- (56) **References Cited**
U.S. PATENT DOCUMENTS
1,320,008 A * 10/1919 Holwick A47C 12/02
182/33.5
D212,086 S * 8/1968 Gilman D25/65
D220,704 S * 5/1971 Krammer D6/691.8
D243,908 S * 4/1977 Neff D30/104
D302,218 S * 7/1989 Everett D6/675.5

1 Claim, 10 Drawing Sheets



(56)

References Cited

U.S. PATENT DOCUMENTS

8,915,383 B2 * 12/2014 Pedersen A47G 7/041
211/149
D763,016 S * 8/2016 Clark D6/675
D764,213 S * 8/2016 Clark D6/675
2005/0236351 A1 * 10/2005 Curatolo E04F 11/108
211/186

OTHER PUBLICATIONS

White Wooden Step Stool. [online] Retrieved Jul. 11, 2017 from
URL: <https://www.landofnod.com/white-on-the-double-step-stool/s243572>.*

* cited by examiner

FIG. 1

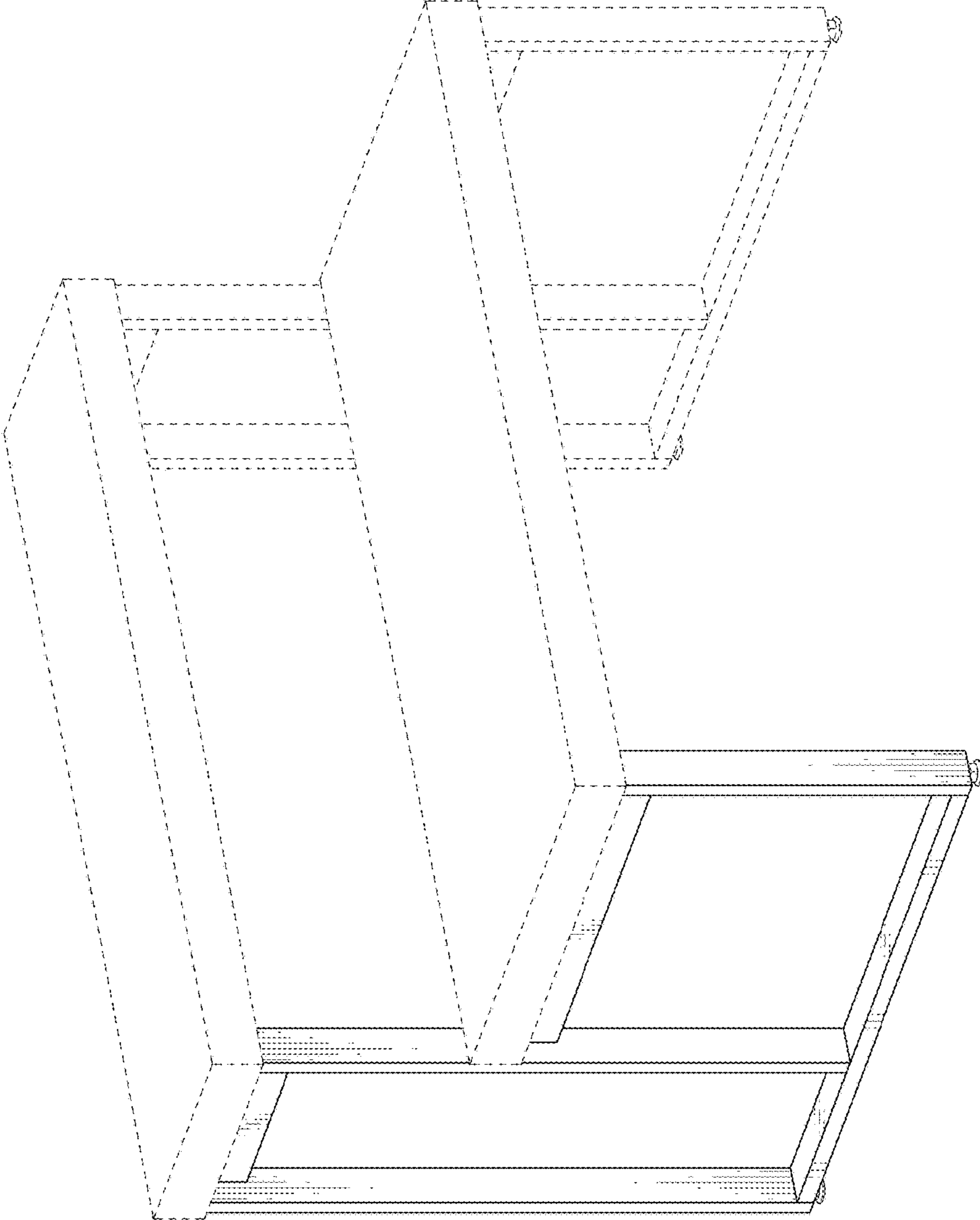


FIG. 2

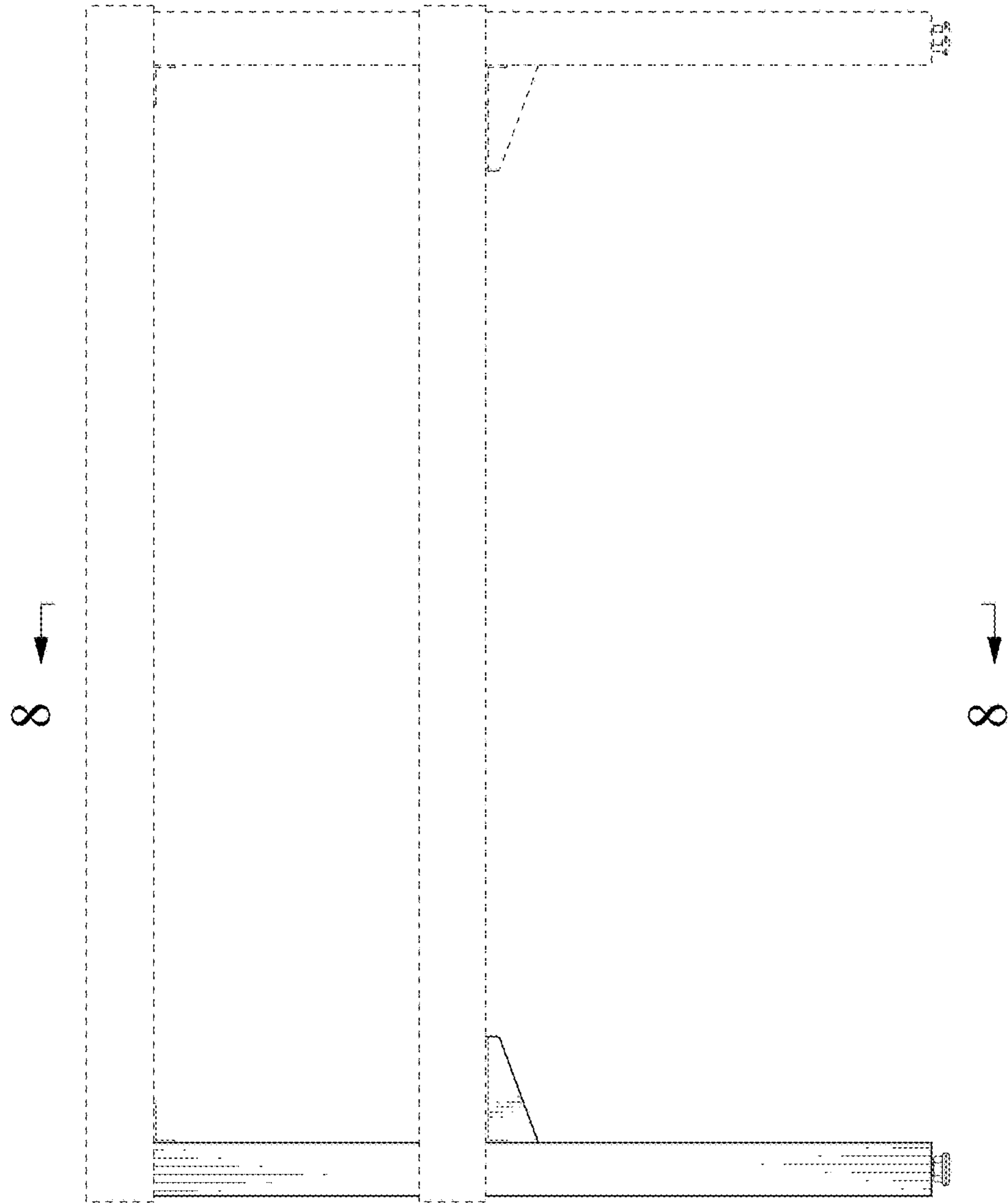


FIG. 3



FIG. 4

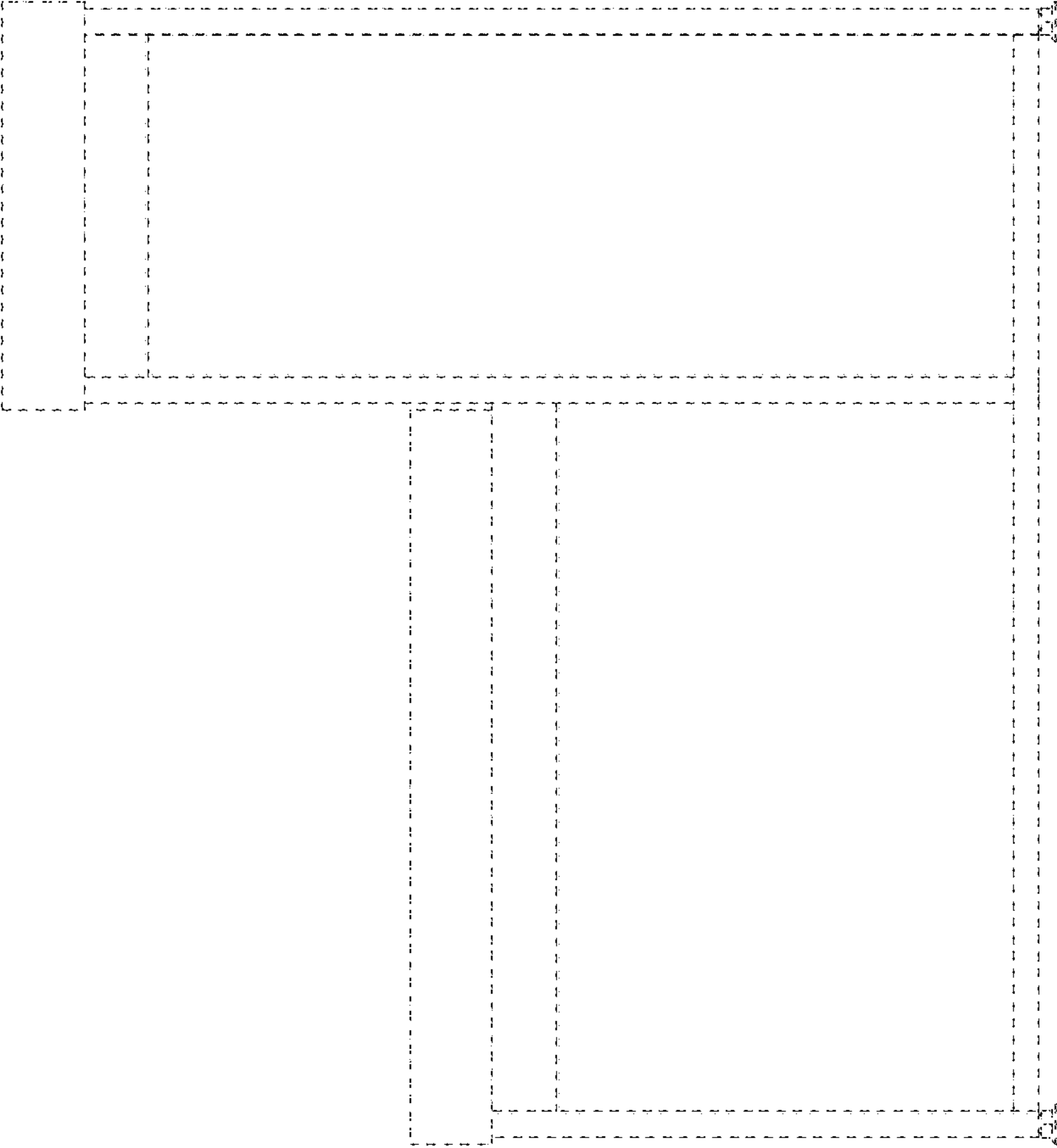


FIG. 5

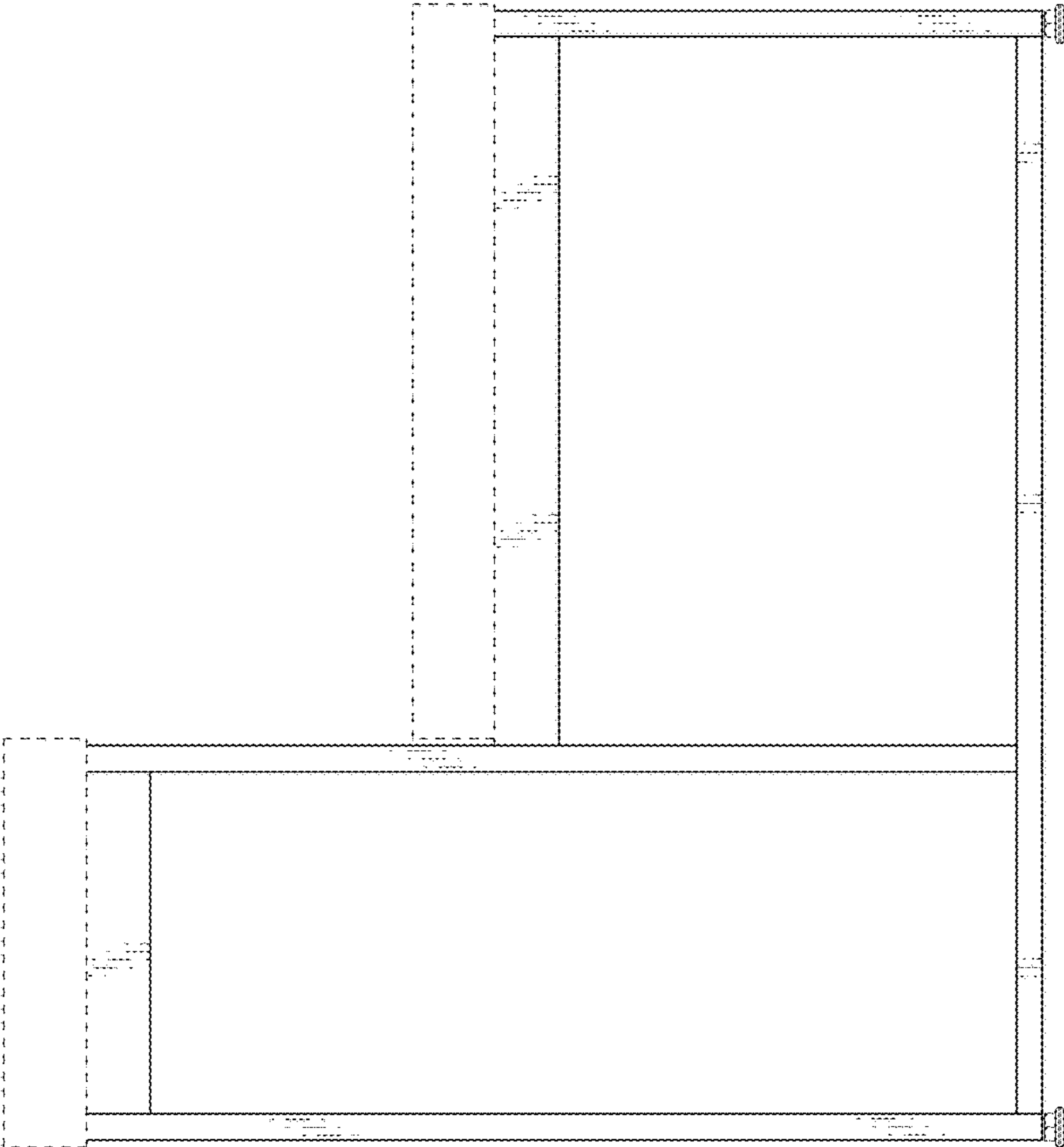


FIG. 6



FIG. 7

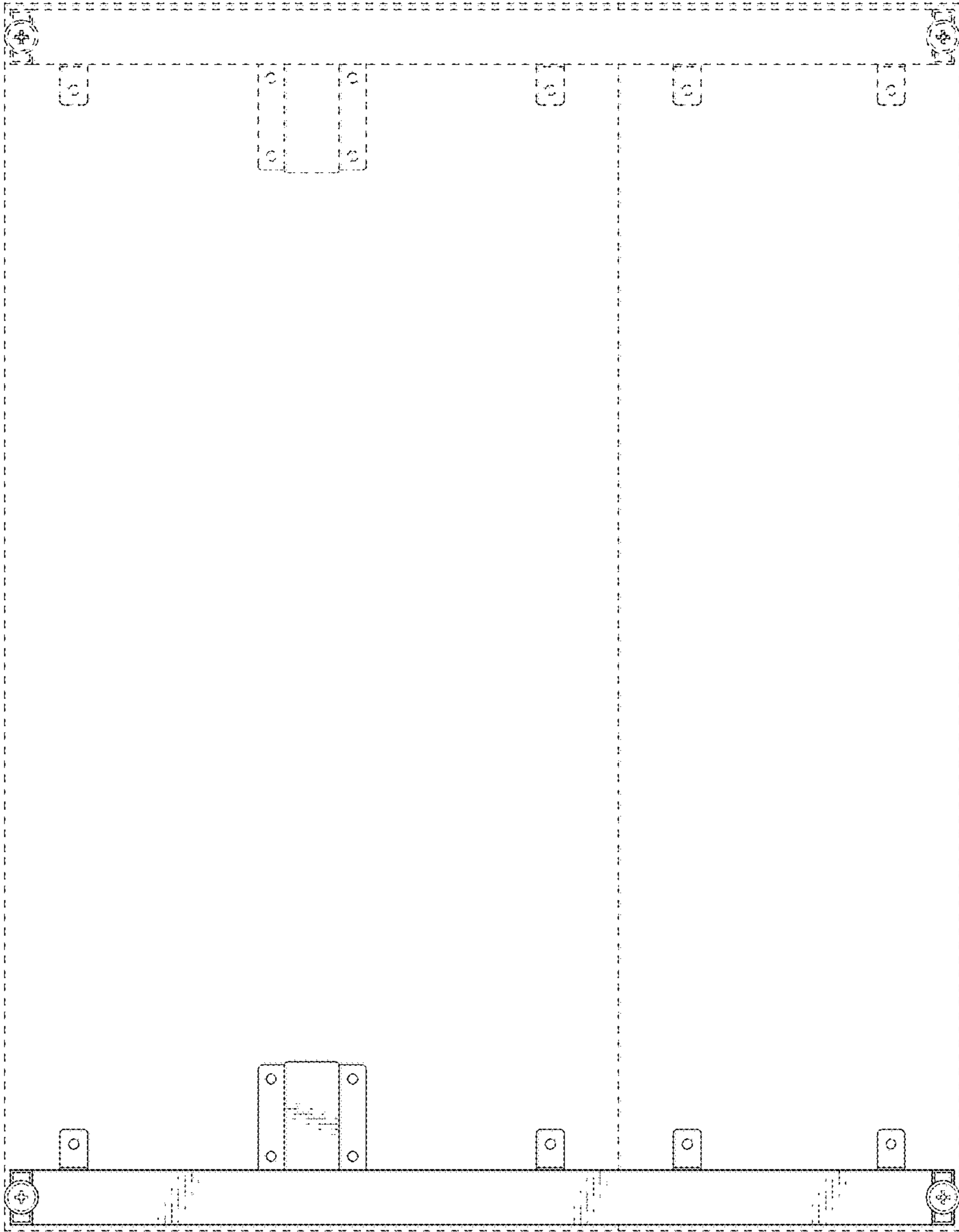


FIG. 8

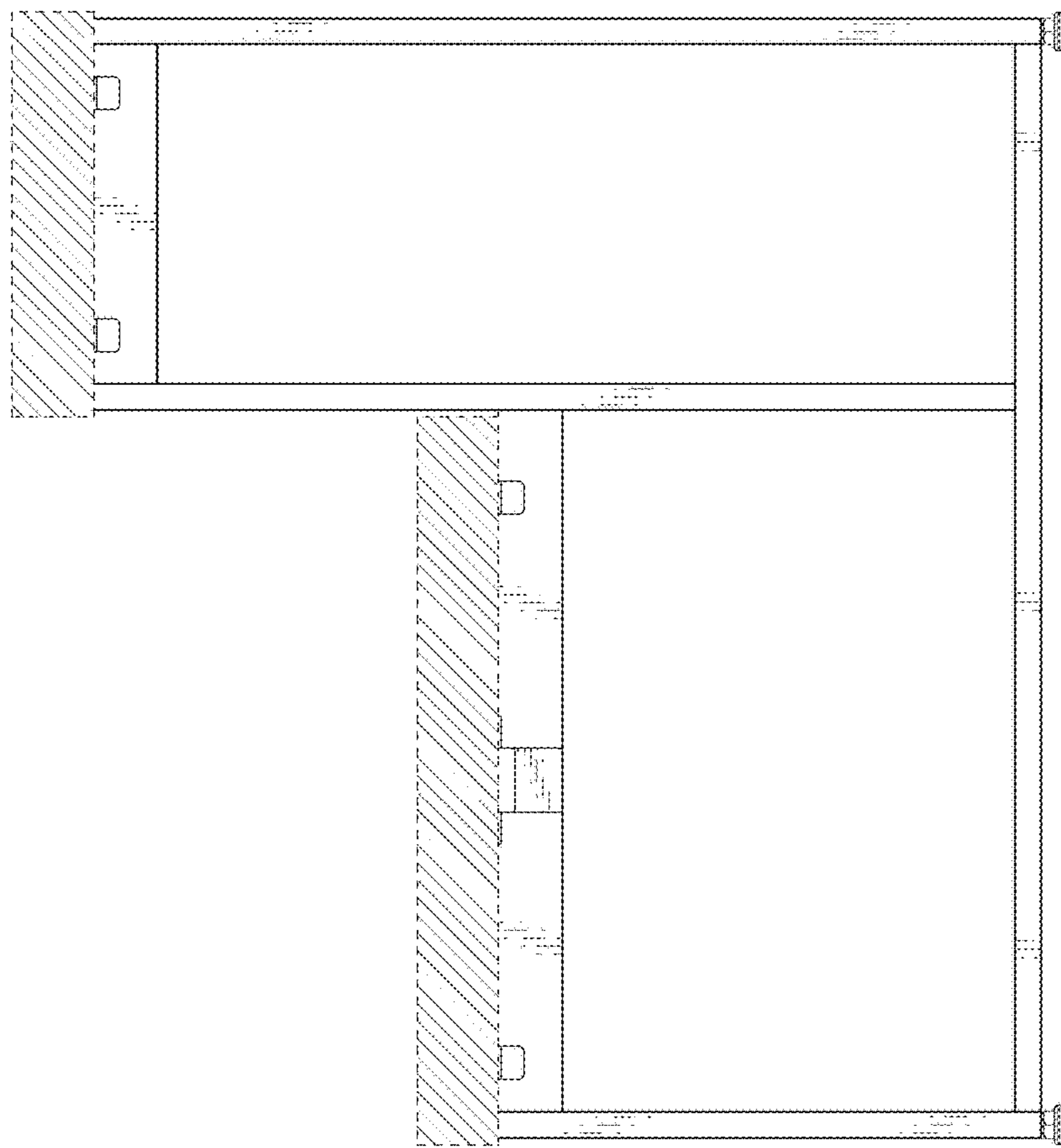


FIG. 9

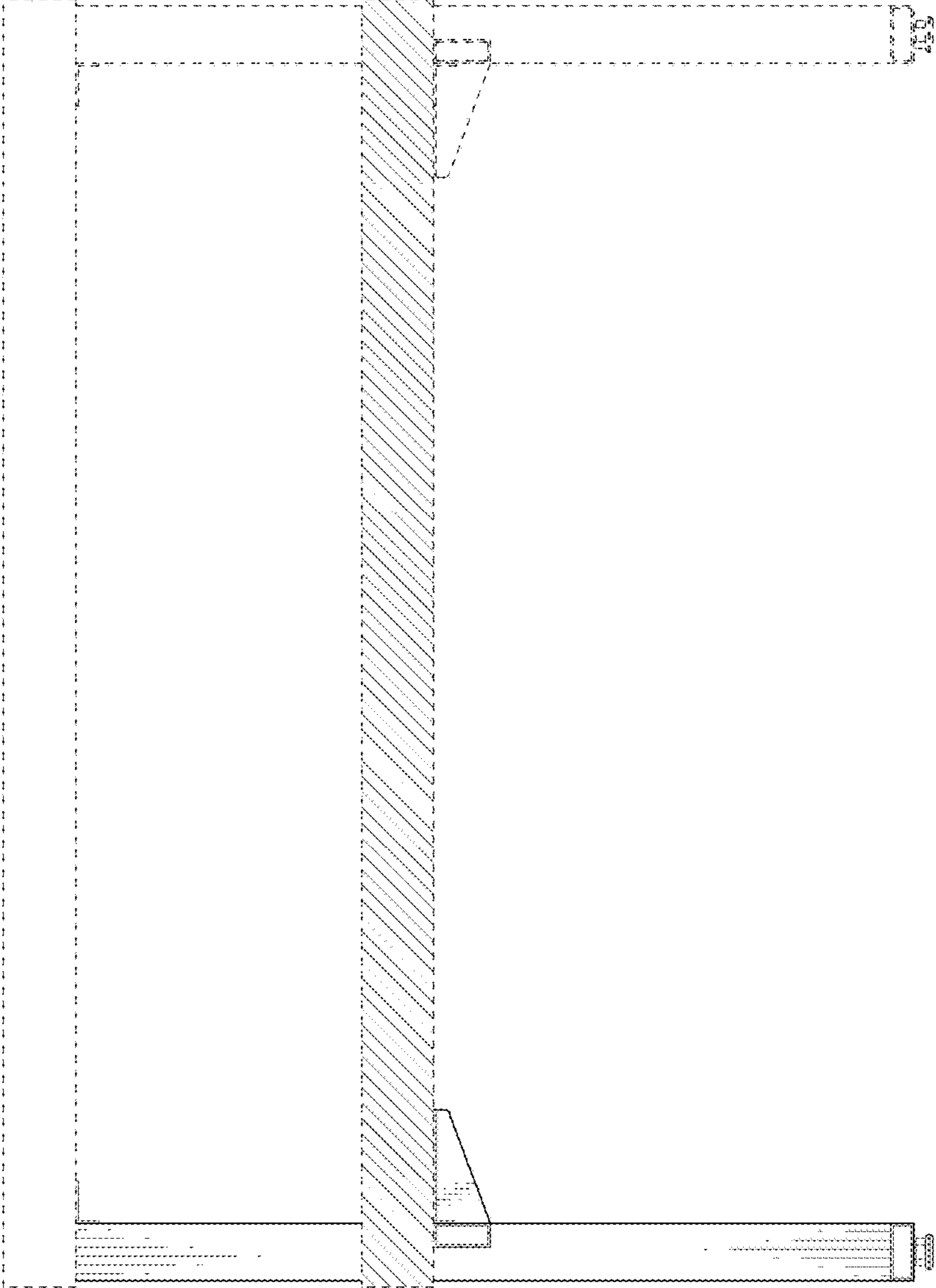


FIG. 10

