



US00D802345S

(12) **United States Design Patent**
Hurford

(10) **Patent No.:** **US D802,345 S**

(45) **Date of Patent:** **** Nov. 14, 2017**

(54) **DESK**

(71) Applicant: **Okamura Corporation**, Yokohama-shi,
Kanagawa (JP)

(72) Inventor: **Alexander Hurford**, Yokohama (JP)

(73) Assignee: **Okamura Corporation**, Yokohama-shi,
Kanagawa (JP)

(**) Term: **15 Years**

(21) Appl. No.: **29/557,746**

(22) Filed: **Mar. 11, 2016**

(30) **Foreign Application Priority Data**

Oct. 14, 2015 (JP) 2015-022671

(51) **LOC (10) Cl.** **06-06**

(52) **U.S. Cl.**
USPC **D6/709; D6/641**

(58) **Field of Classification Search**

USPC D6/641, 671, 675, 677, 685, 687, 690,
D6/691, 691.1, 691.2, 691.3, 691.4,
D6/691.5, 691.9, 693, 695, 695.2, 696,
D6/697, 698, 699, 699.2, 703, 707, 708,
D6/709, 709.2

CPC A47B 7/00; A47B 13/08; A47B 13/10;
A47B 21/00; A47B 2009/006; A47B
11/00

See application file for complete search history.

(56) **References Cited**

U.S. PATENT DOCUMENTS

D183,441 S * 8/1958 Williams D6/709
D300,592 S * 4/1989 Handler D6/709

D443,440 S * 6/2001 Deimen D6/656.16
D498,949 S * 11/2004 Frenkler D6/691.8
D505,810 S * 6/2005 Henriott D6/691
D552,885 S * 10/2007 Saotome D6/656
D585,218 S * 1/2009 Hamilton D6/656
D626,767 S * 11/2010 Lucci D6/708
D671,339 S * 11/2012 Nakamura D6/691
D671,773 S * 12/2012 Johnson D25/119
D695,557 S * 12/2013 Carretta D6/708
D723,850 S * 3/2015 Mueller D6/709
D763,609 S * 8/2016 Copier D6/709
2006/0096506 A1 * 5/2006 Brauning A47B 13/02
108/50.02
2016/0324316 A1 * 11/2016 Peery A47B 3/0912

* cited by examiner

Primary Examiner — Mary Ann Calabrese

Assistant Examiner — Sloan Rozin

(74) *Attorney, Agent, or Firm* — Sughrue Mion, PLLC

(57) **CLAIM**

The ornamental design for a desk, as shown and described.

DESCRIPTION

FIG. 1 is a perspective view from the front side of a desk.
FIG. 2 is a perspective view from the rear side thereof.
FIG. 3 is a front elevation view thereof.
FIG. 4 is a rear elevation view thereof.
FIG. 5 is a right side elevation view thereof.
FIG. 6 is a top plan view thereof; and,
FIG. 7 is a bottom plan view thereof.
The broken lines shown in the drawings illustrate portions of
the desk that form no part of the claimed design.

1 Claim, 7 Drawing Sheets

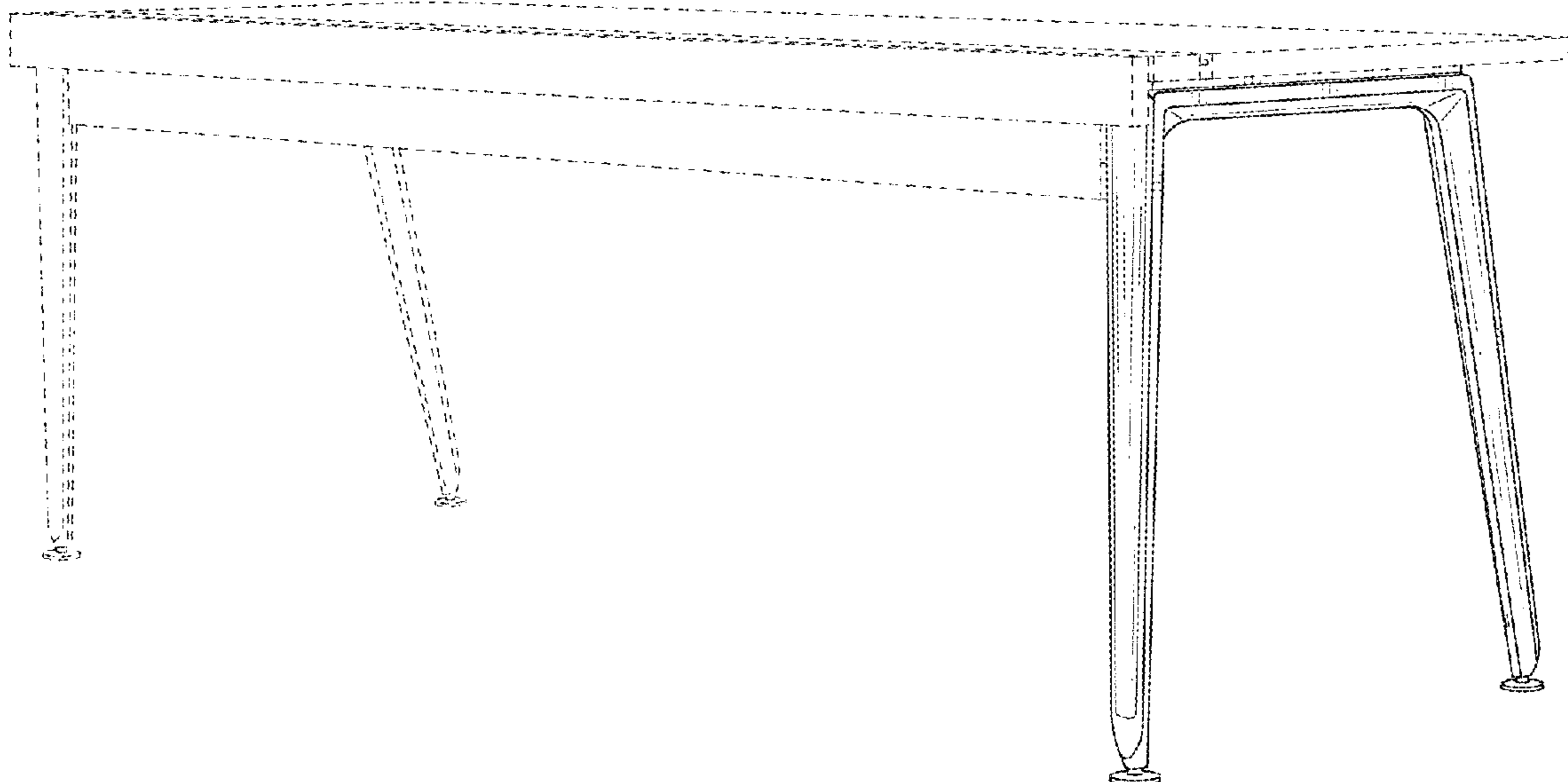


FIG. 1

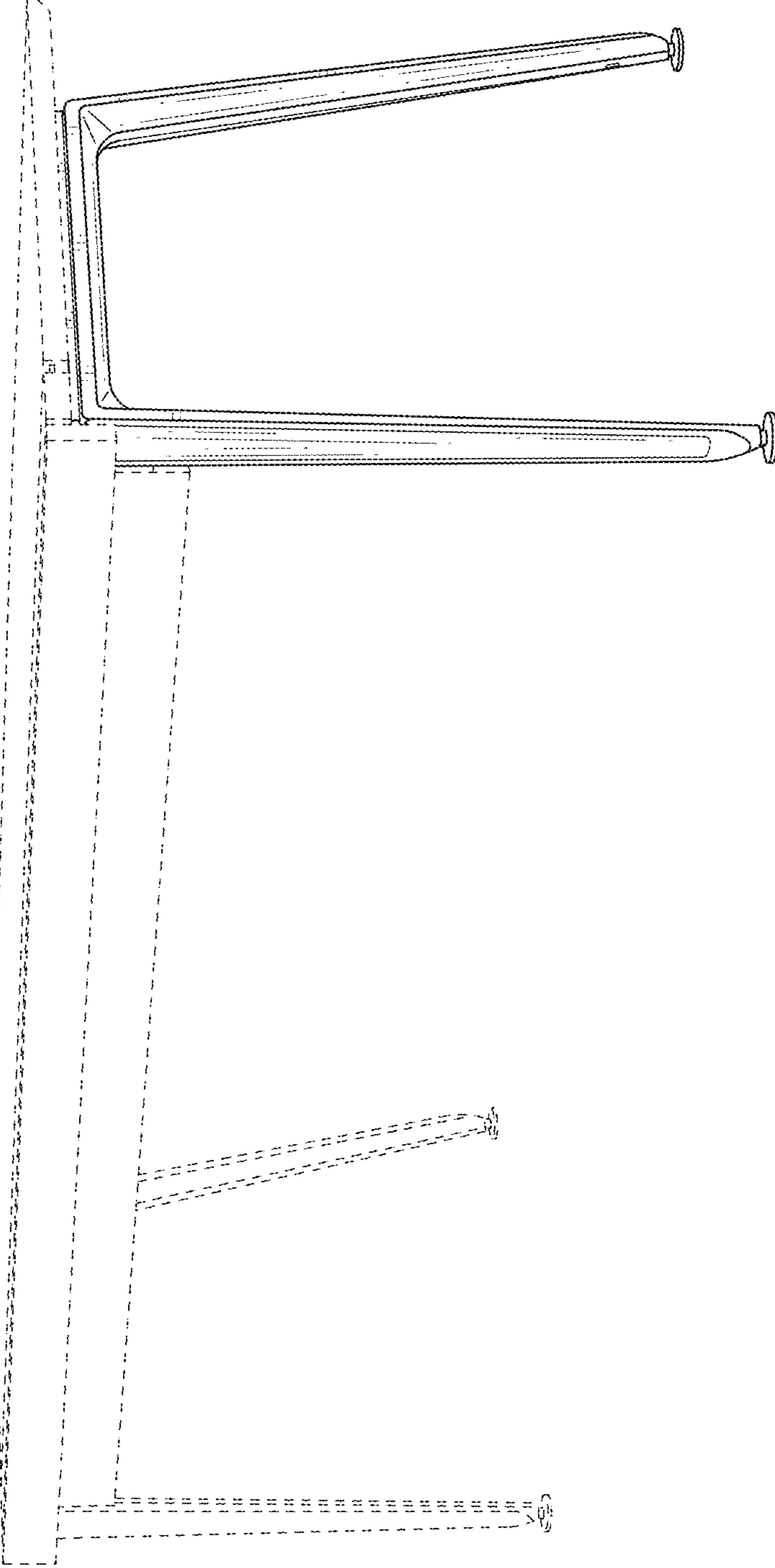


FIG. 2



FIG. 3



FIG. 4

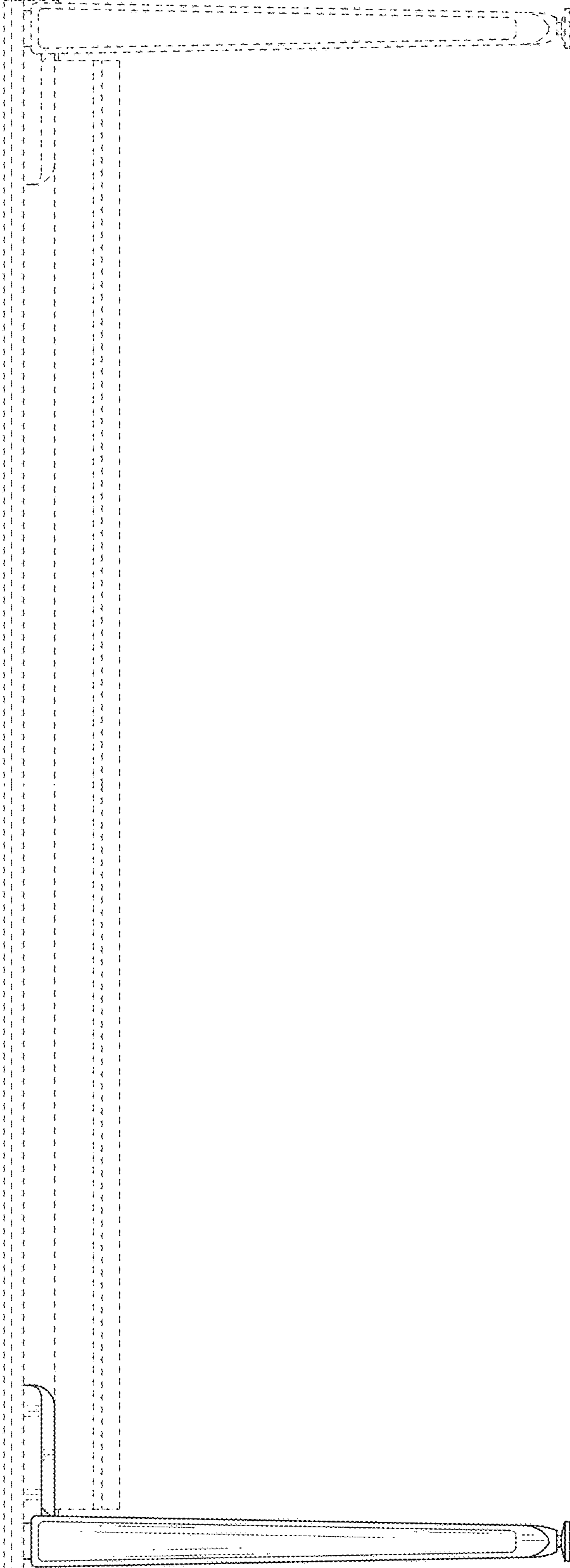


FIG. 5

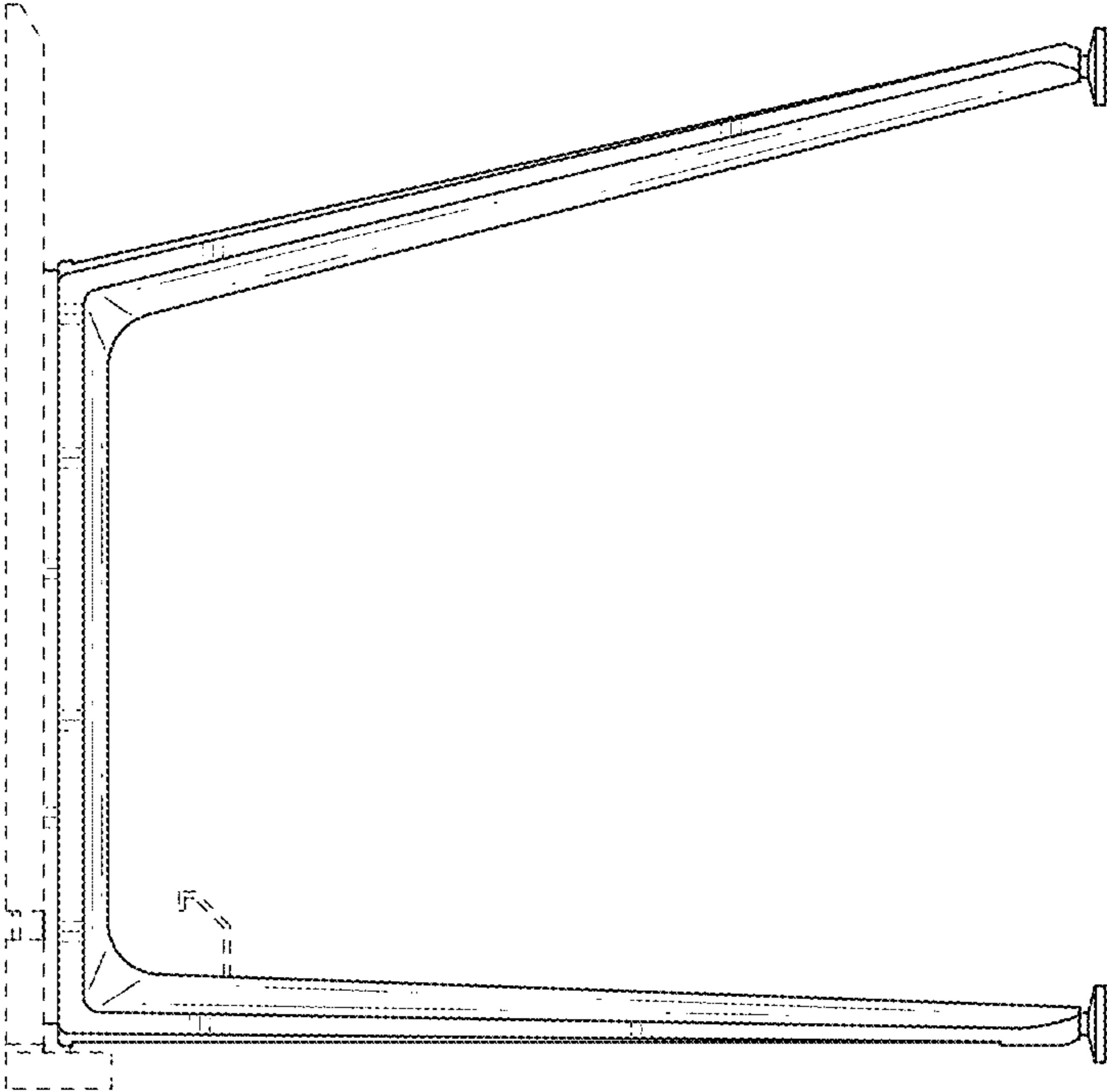


FIG. 6

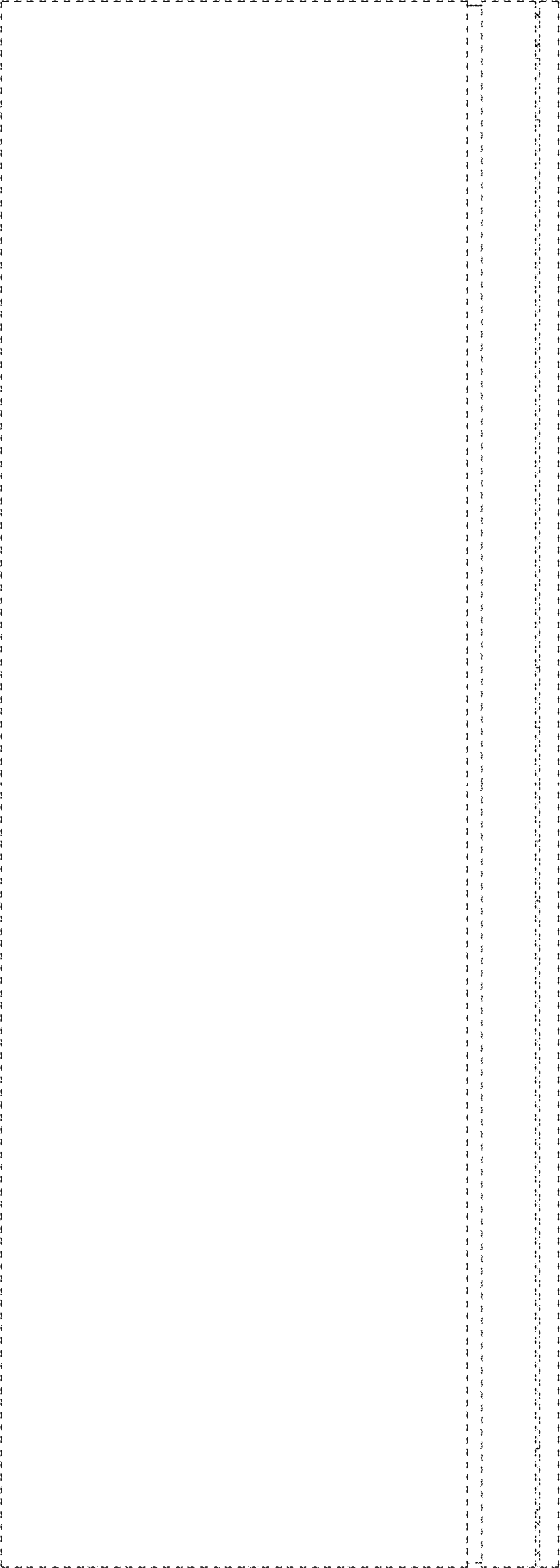


FIG. 7

