



US00D802344S

(12) **United States Design Patent**  
**Bailey et al.**

(10) **Patent No.:** **US D802,344 S**

(45) **Date of Patent:** **\*\* Nov. 14, 2017**

(54) **SHELF**

(71) Applicants: **James Bruce Bailey**, Tampa, FL (US);  
**Kimberly Lynn Bailey**, Tampa, FL  
(US)

(72) Inventors: **James Bruce Bailey**, Tampa, FL (US);  
**Kimberly Lynn Bailey**, Tampa, FL  
(US)

(\*\*) Term: **15 Years**

(21) Appl. No.: **29/574,655**

(22) Filed: **Aug. 17, 2016**

(51) **LOC (10) Cl.** ..... **06-06**

(52) **U.S. Cl.**  
USPC ..... **D6/705**

(58) **Field of Classification Search**  
USPC ..... D6/553, 572-574, 672, 704, 705, 706,  
D6/707  
CPC ..... A47B 43/00; A47B 57/00; A47B 57/30;  
A47B 81/062; A47B 63/06  
See application file for complete search history.

(56) **References Cited**

**U.S. PATENT DOCUMENTS**

D283,568 S	*	4/1986	Valley	.....	D6/682.2
D293,531 S	*	1/1988	Wright	.....	D6/705
D314,115 S	*	1/1991	Murphy	.....	D6/572
D317,220 S	*	5/1991	Diamond	.....	D3/305
D399,692 S	*	10/1998	Wilcox	.....	D6/567

D493,301 S	*	7/2004	Robertson	.....	D6/707
D614,428 S	*	4/2010	Bauchet	.....	D6/574
D621,193 S	*	8/2010	Bauchet	.....	D6/574
D718,556 S	*	12/2014	Kreuzer	.....	D6/574
D723,294 S	*	3/2015	O'Hara	.....	A47B 96/022 D6/513
D745,902 S	*	12/2015	Choi	.....	D15/89
D767,308 S	*	9/2016	Bonuccelli	.....	D6/675.3
D789,717 S	*	6/2017	Renjilian	.....	D6/705
2012/0018396 A1	*	1/2012	Susan, Jr.	.....	A47B 96/067 211/90.01

\* cited by examiner

*Primary Examiner* — Kelley Donnelly

(74) *Attorney, Agent, or Firm* — Gulf Coast Intellectual Property Group

(57) **CLAIM**

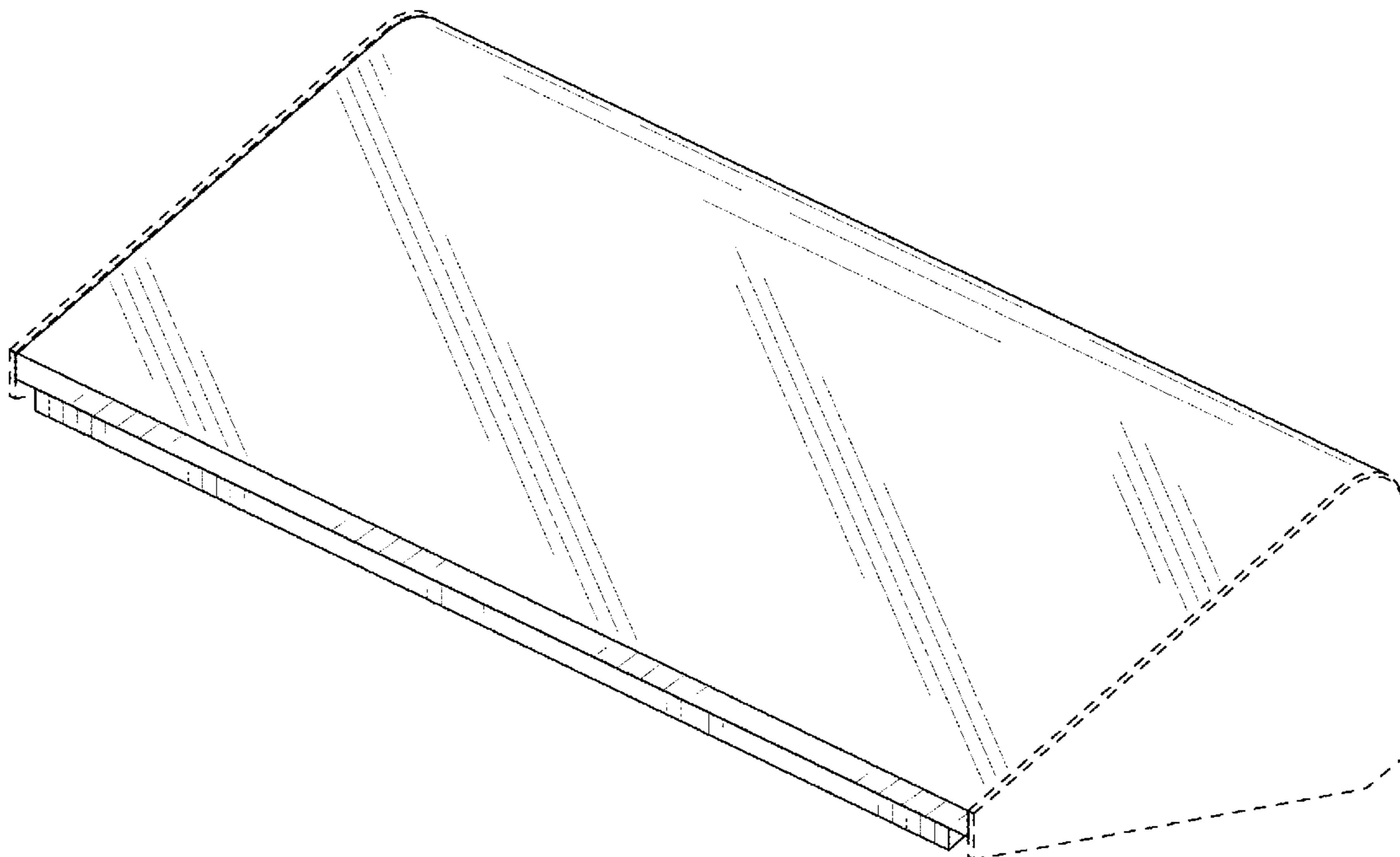
The ornamental design for the shelf, as shown and described.

**DESCRIPTION**

FIG. 1 is a front perspective view of the shelf; and FIG. 2 is a bottom perspective view thereof; and FIG. 3 is a front plan view thereof; and FIG. 4 is a rear plan view thereof; and FIG. 5 is a left side view thereof; and FIG. 6 is a right side view thereof; and FIG. 7 is a bottom view thereof; and, FIG. 8 is a top view thereof.

Wherein the broken lines herein illustrate environment only and do not form a portion of the claimed invention.

**1 Claim, 6 Drawing Sheets**



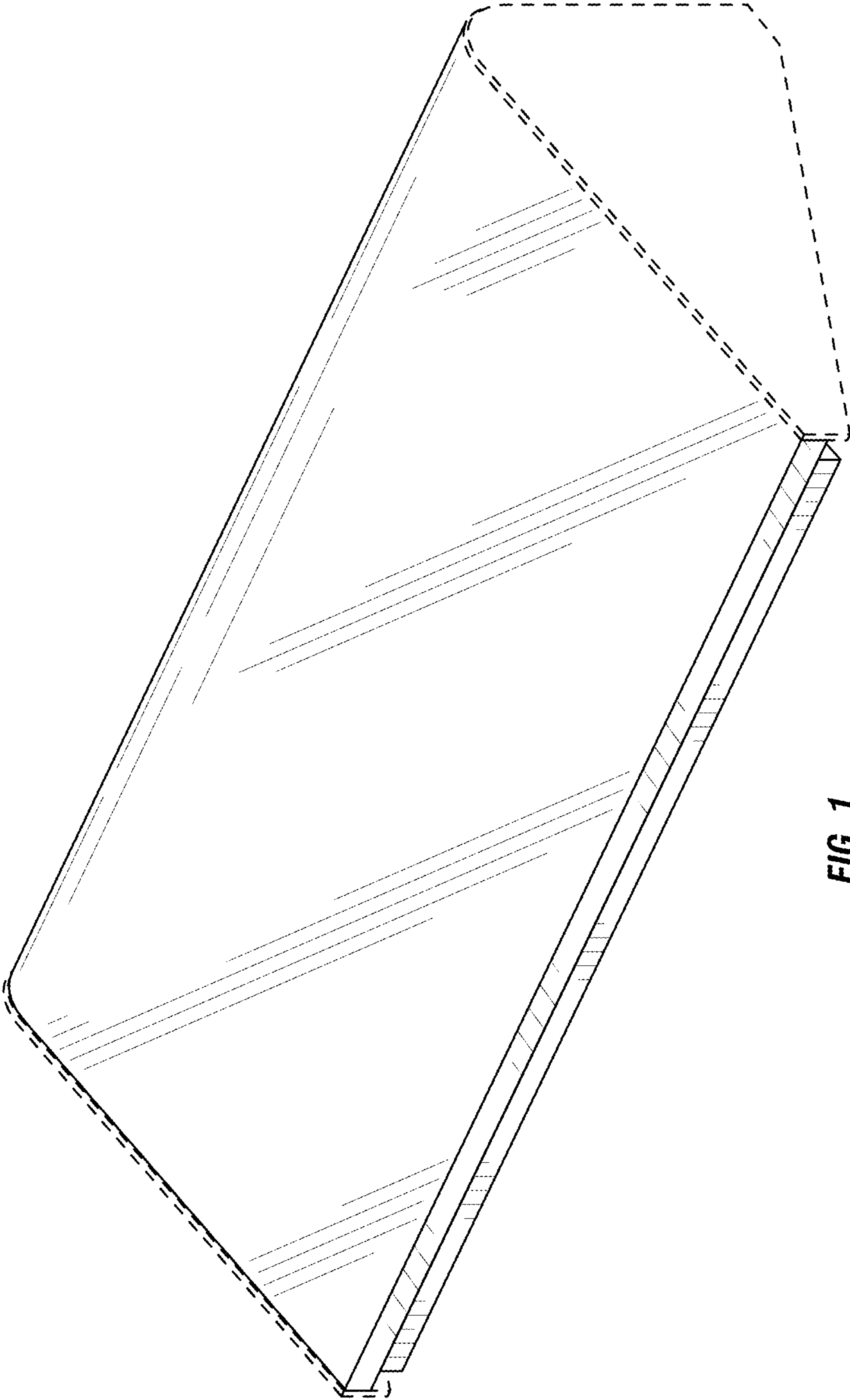


FIG. 1

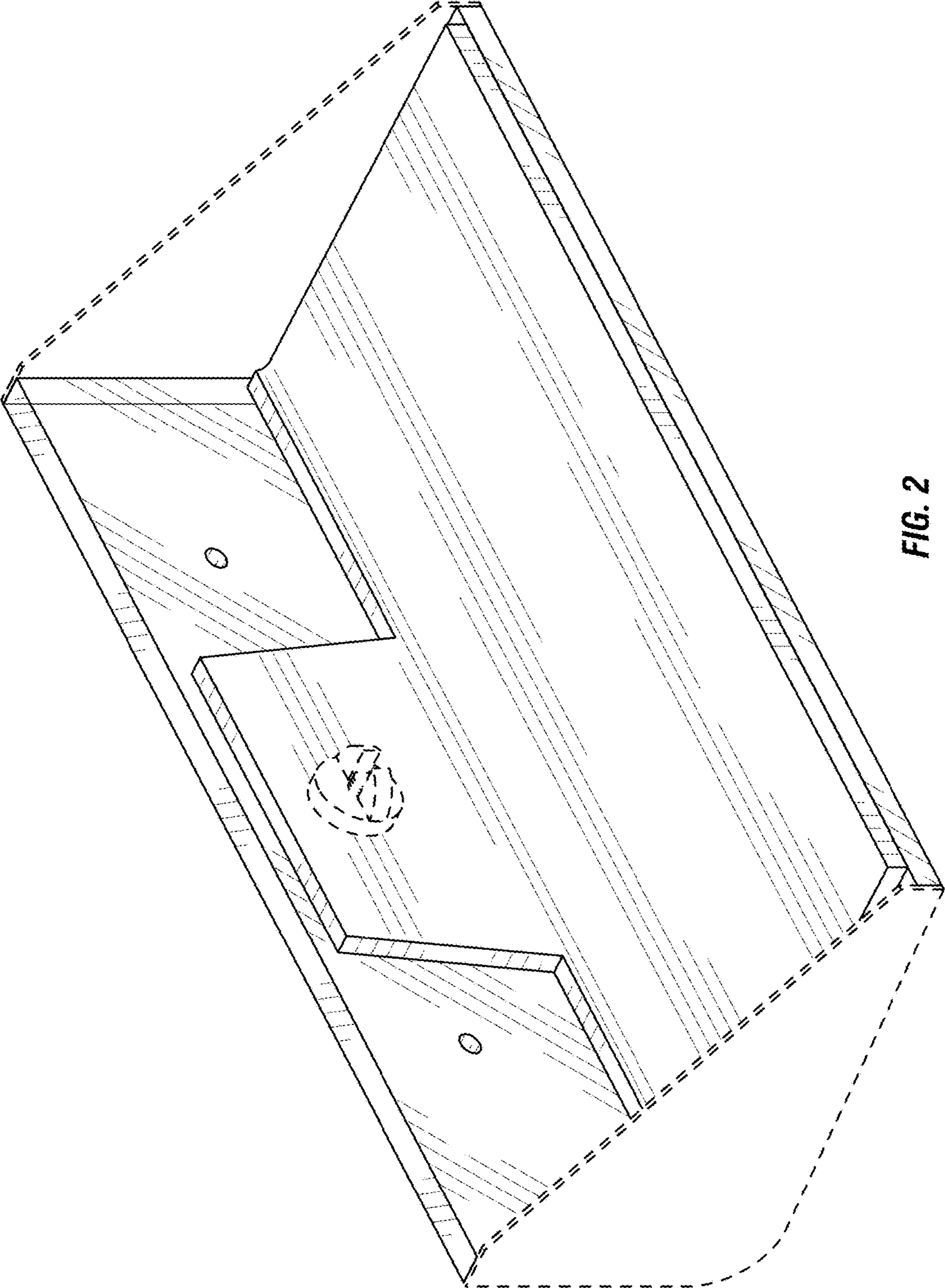


FIG. 2

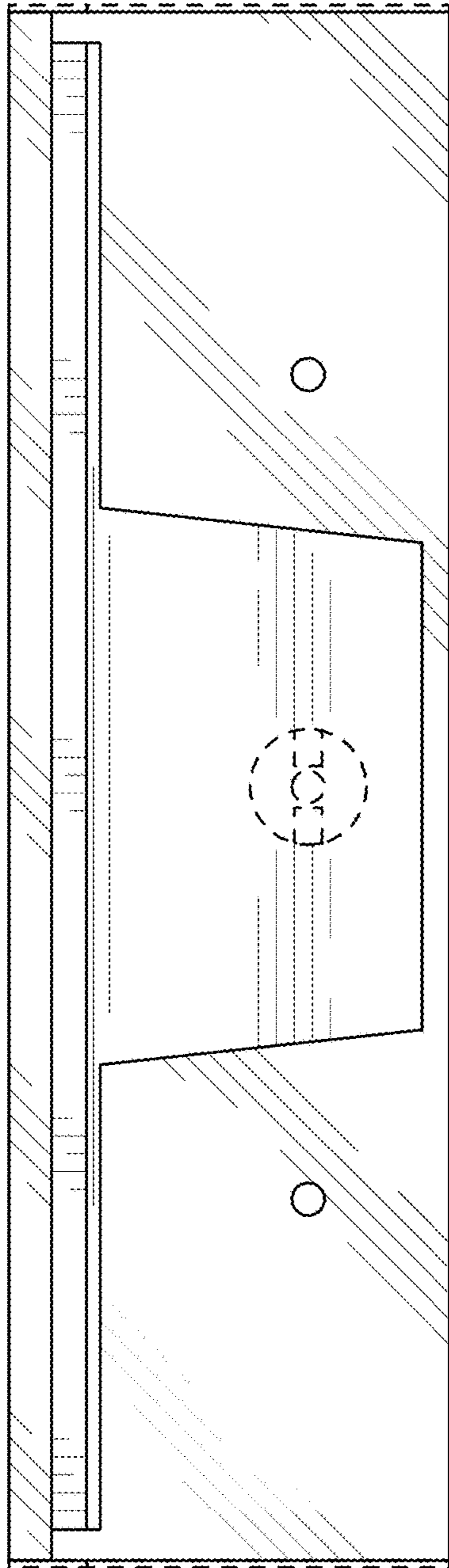


FIG. 3

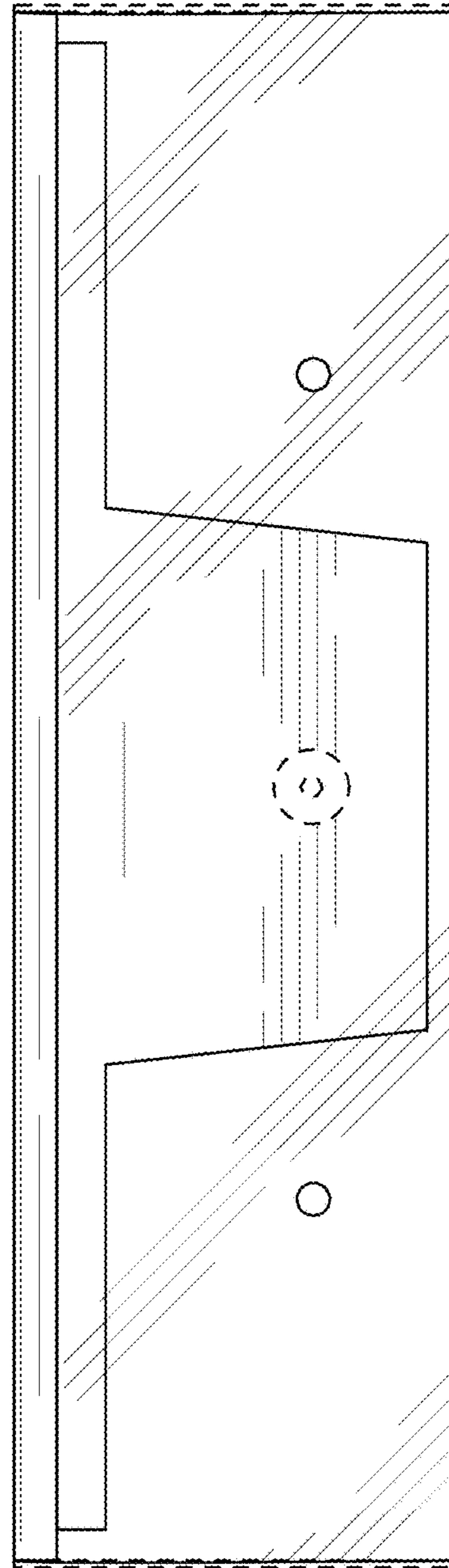
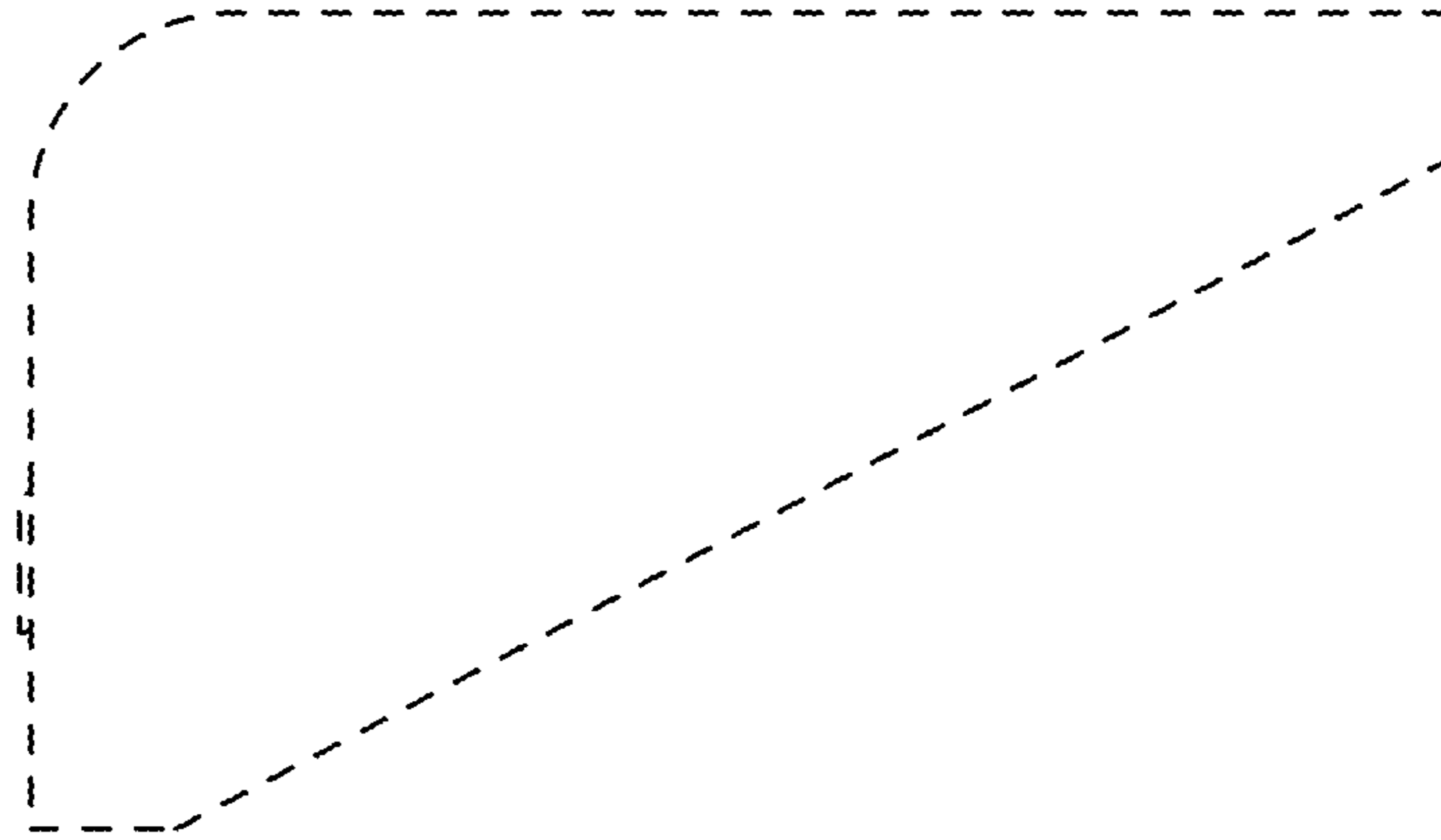
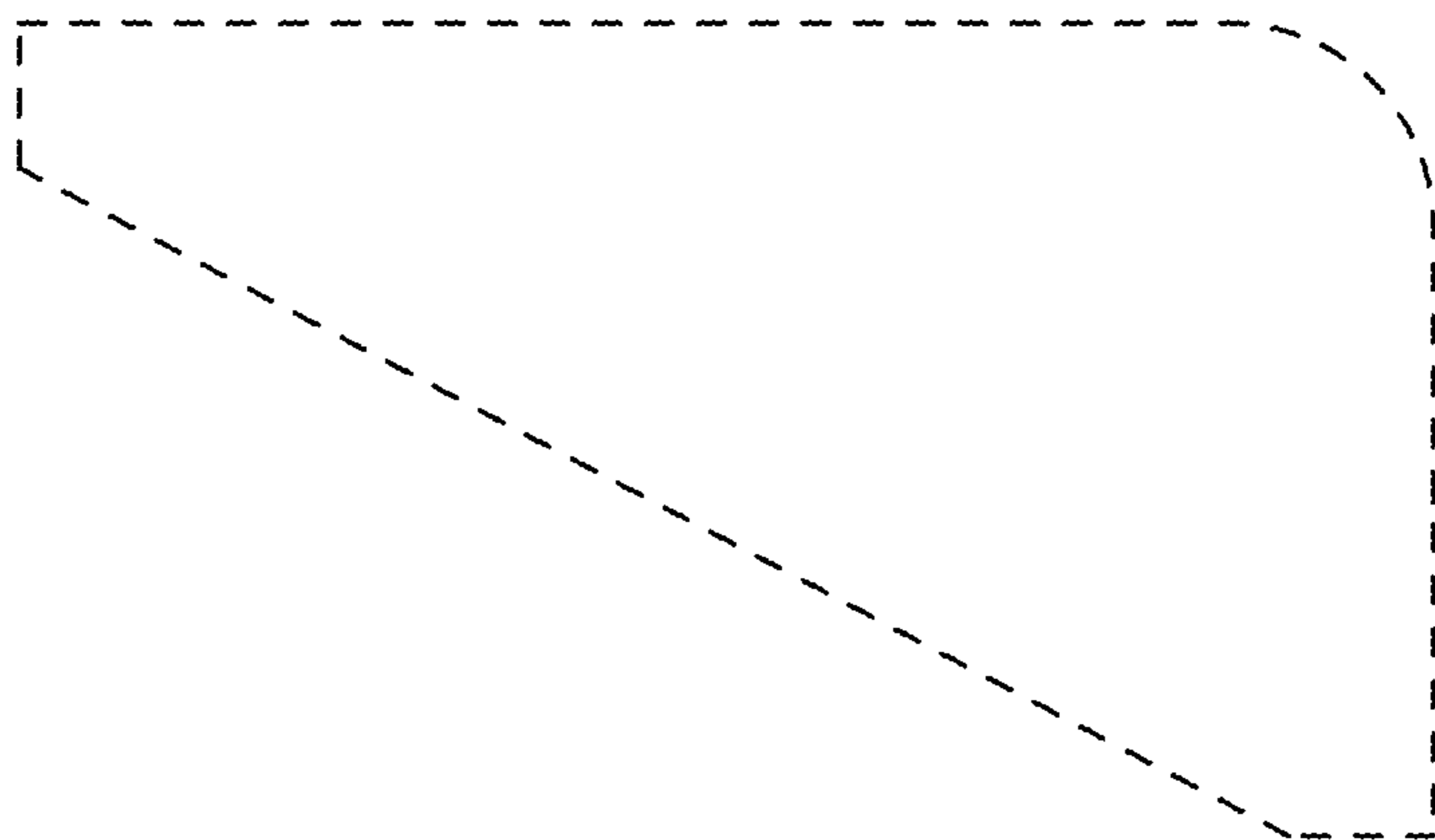


FIG. 4



**FIG. 5**



**FIG. 6**

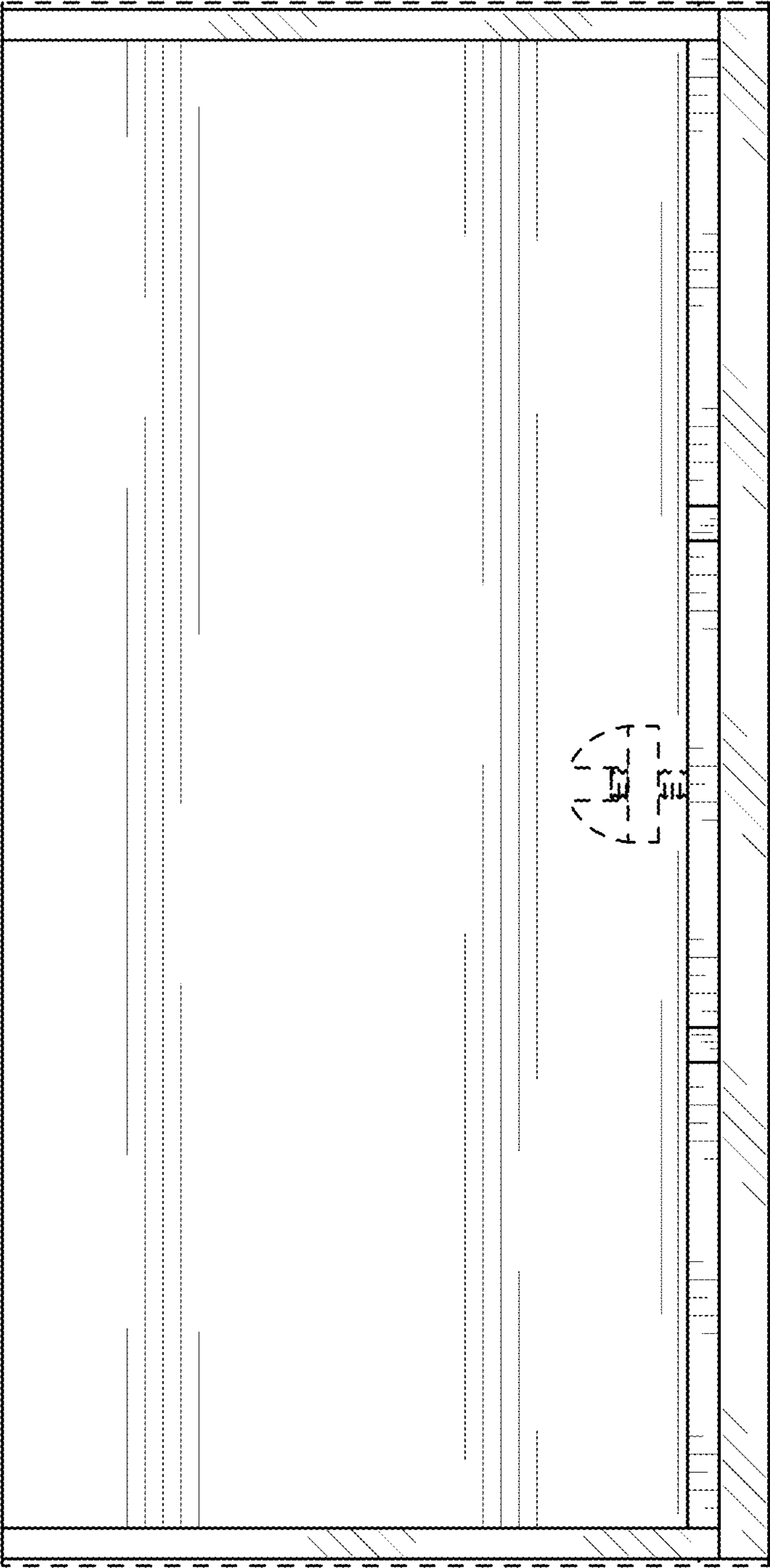


FIG. 7

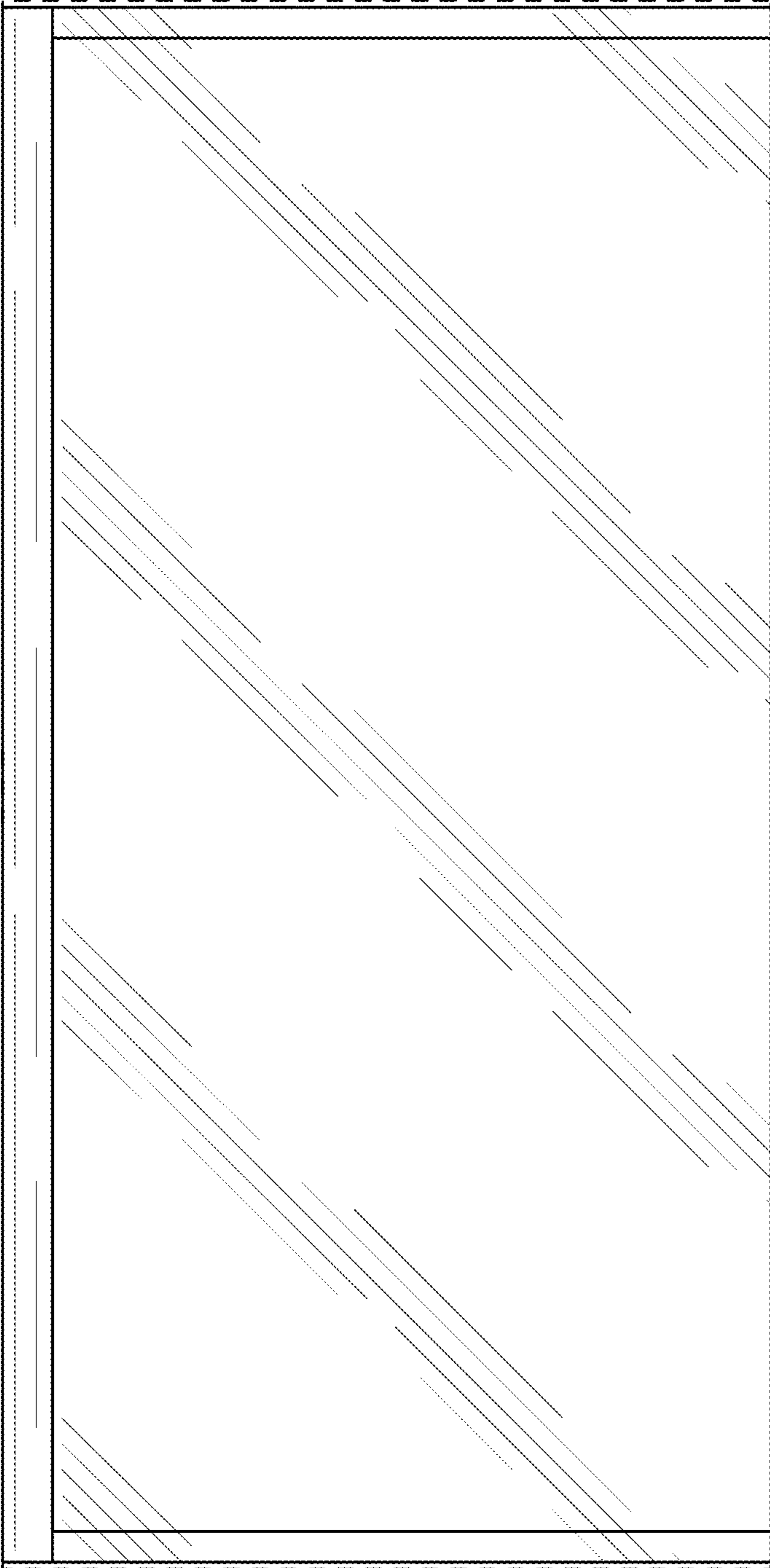


FIG. 8