

US00D802342S

(12) **United States Design Patent** (10) **Patent No.:** **US D802,342 S**  
**Chang** (45) **Date of Patent:** **\*\* Nov. 14, 2017**

- (54) **TIERED UTILITY RACK**
- (71) Applicant: **Oceanstar Design Group, Inc.**,  
Diamond Bar, CA (US)
- (72) Inventor: **Charles Yaochung Chang**, Diamond  
Bar, CA (US)
- (73) Assignee: **Oceanstar Design Group, Inc.**,  
Diamond Bar, CA (US)
- (\*\*) Term: **15 Years**
- (21) Appl. No.: **29/581,293**
- (22) Filed: **Oct. 18, 2016**
- (51) **LOC (10) Cl.** ..... **06-06**
- (52) **U.S. Cl.**  
USPC ..... **D6/675.5**
- (58) **Field of Classification Search**  
USPC ... D6/552, 556-557, 672, 675, 675.1, 675.2,  
D6/675.3, 675.4, 675.5, 705  
CPC ..... A47B 45/00; A47B 45/47; A47B 45/0091;  
A47B 47/021; A47F 5/0018; A47F 5/01  
See application file for complete search history.

(56) **References Cited**

**U.S. PATENT DOCUMENTS**

D291,165 S *	8/1987	Ray	.....	D6/675.2
D424,836 S *	5/2000	Kopala, Jr.	.....	D6/675.2
D602,712 S *	10/2009	Ho	.....	D6/675.2
D626,356 S *	11/2010	Ho	.....	D6/675.2
D657,979 S *	4/2012	Sokol	.....	D6/675.1
D683,983 S *	6/2013	Troyner	.....	D6/675.2
D699,485 S *	2/2014	Hsu	.....	D6/675.1
D701,405 S *	3/2014	Pace	.....	D6/675.2
D703,467 S *	4/2014	Ho	.....	D6/675.1
D703,468 S *	4/2014	Ho	.....	D6/675.1
D724,357 S *	3/2015	Lim	.....	A47B 47/00 D6/675.1

D728,975 S *	5/2015	Park	.....	D6/657
D731,212 S *	6/2015	Hsu	.....	D6/675.2
D759,997 S *	6/2016	Ruiz	.....	D6/675.1
D762,402 S *	8/2016	Hsu	.....	D6/675.5
D787,242 S *	5/2017	Hsu	.....	D6/675.2
2010/0181274 A1*	7/2010	Vargo	.....	A47B 57/50 211/187
2011/0233164 A1*	9/2011	Chang	.....	A47B 57/14 211/188
2011/0240571 A1*	10/2011	Ho	.....	A47B 47/021 211/13.1
2011/0290750 A1*	12/2011	Lim	.....	A47B 47/00 211/153

\* cited by examiner

*Primary Examiner* — Kelley Donnelly

(74) *Attorney, Agent, or Firm* — Dunlap Bennett & Ludwig PLLC

(57) **CLAIM**

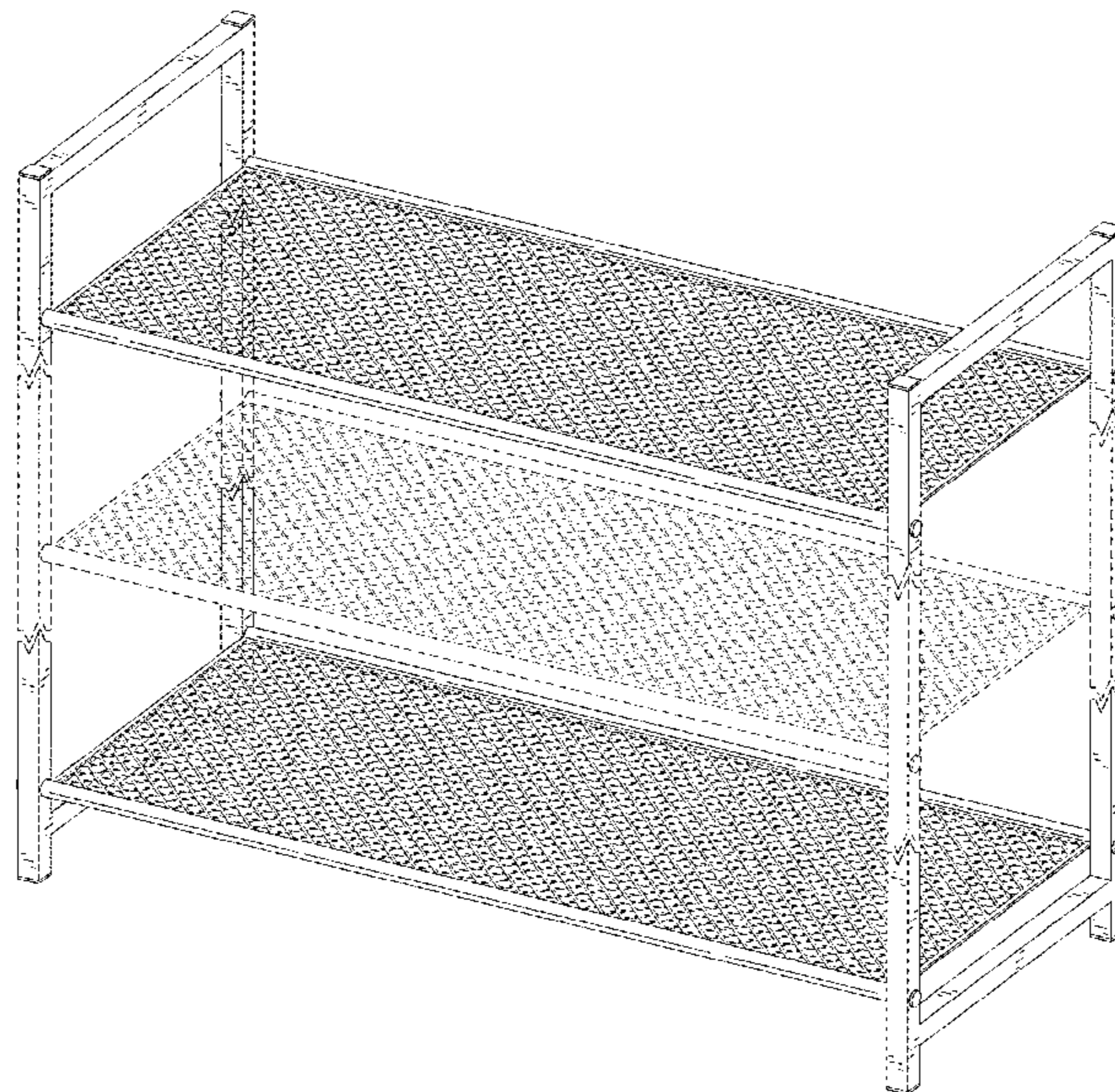
The ornamental design for a tiered utility rack, as shown and described.

**DESCRIPTION**

FIG. 1 is a front perspective view of a tiered utility rack; FIG. 2 is a front elevation view thereof, the rear elevation view being a mirror image thereof; FIG. 3 is a left side elevation view thereof, the right side elevation view being a mirror image thereof; and, FIG. 4 is a top plan view thereof, the bottom plan view being a mirror image thereof.

The broken lines shown in the drawings depict portions of the tiered utility rack that form no part of the claimed design. The break lines shown in FIGS. 1, 2, and 3 are not part of the claimed design and represent that no particular length is claimed.

**1 Claim, 4 Drawing Sheets**





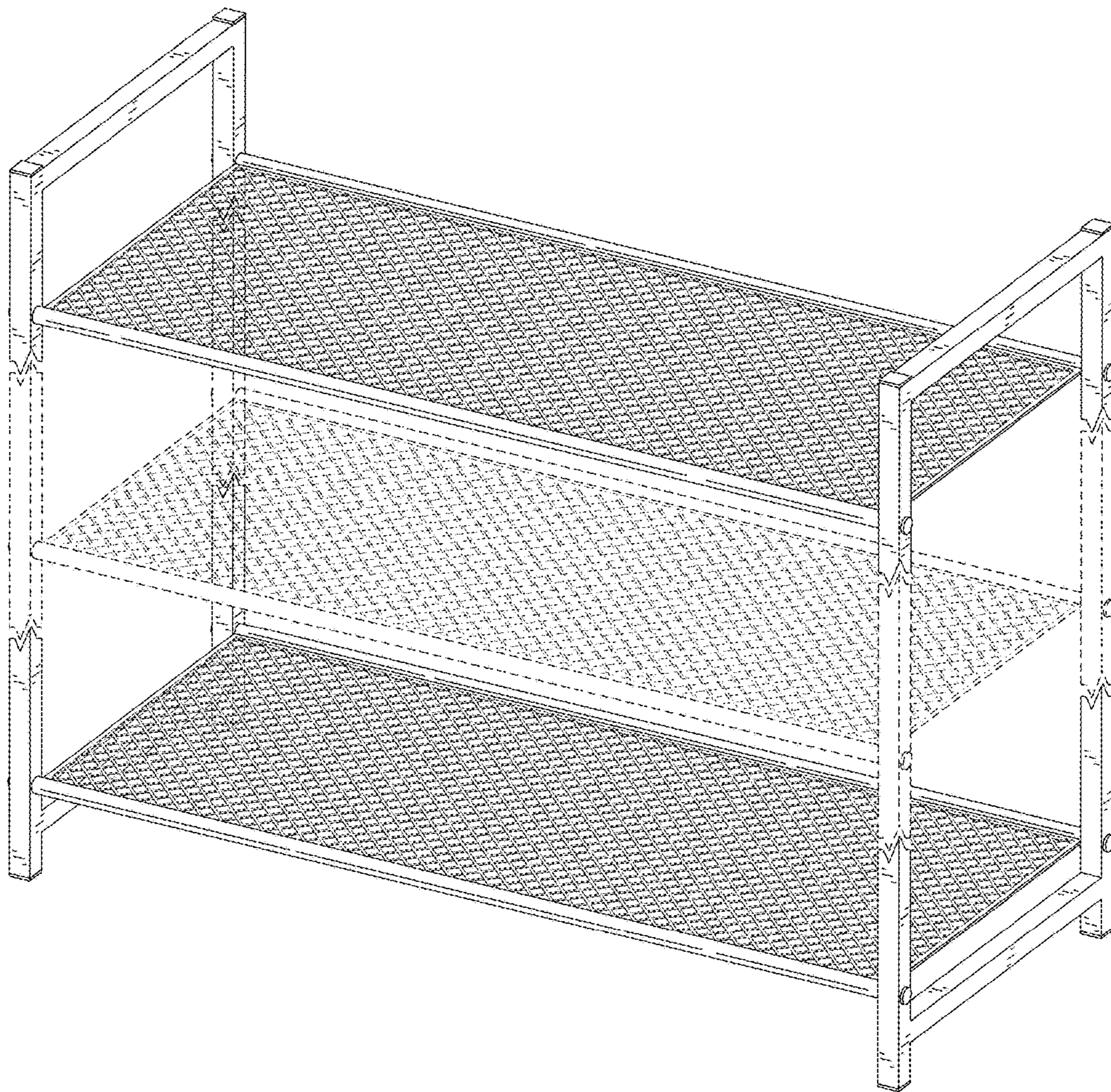


FIG. 1

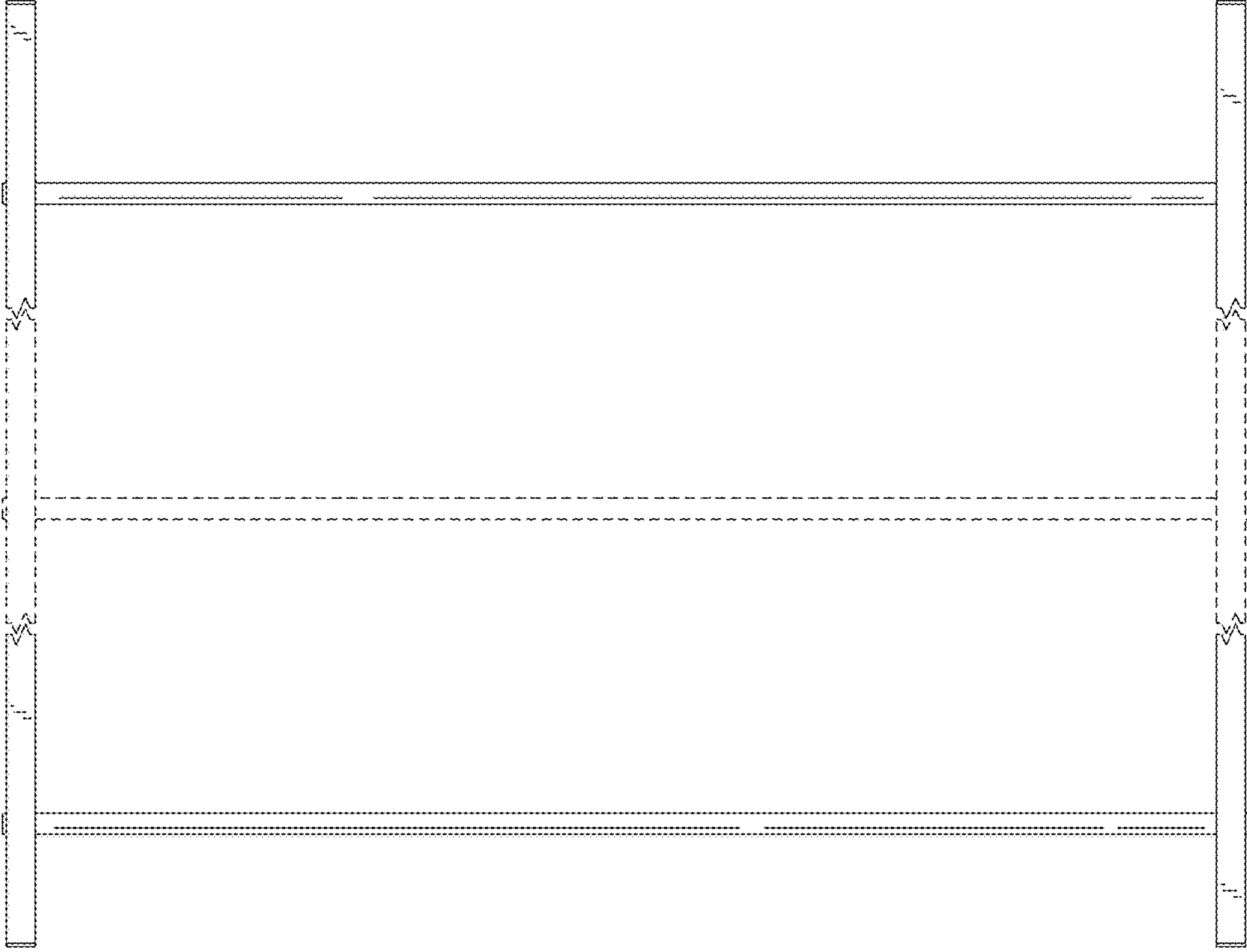


FIG. 2

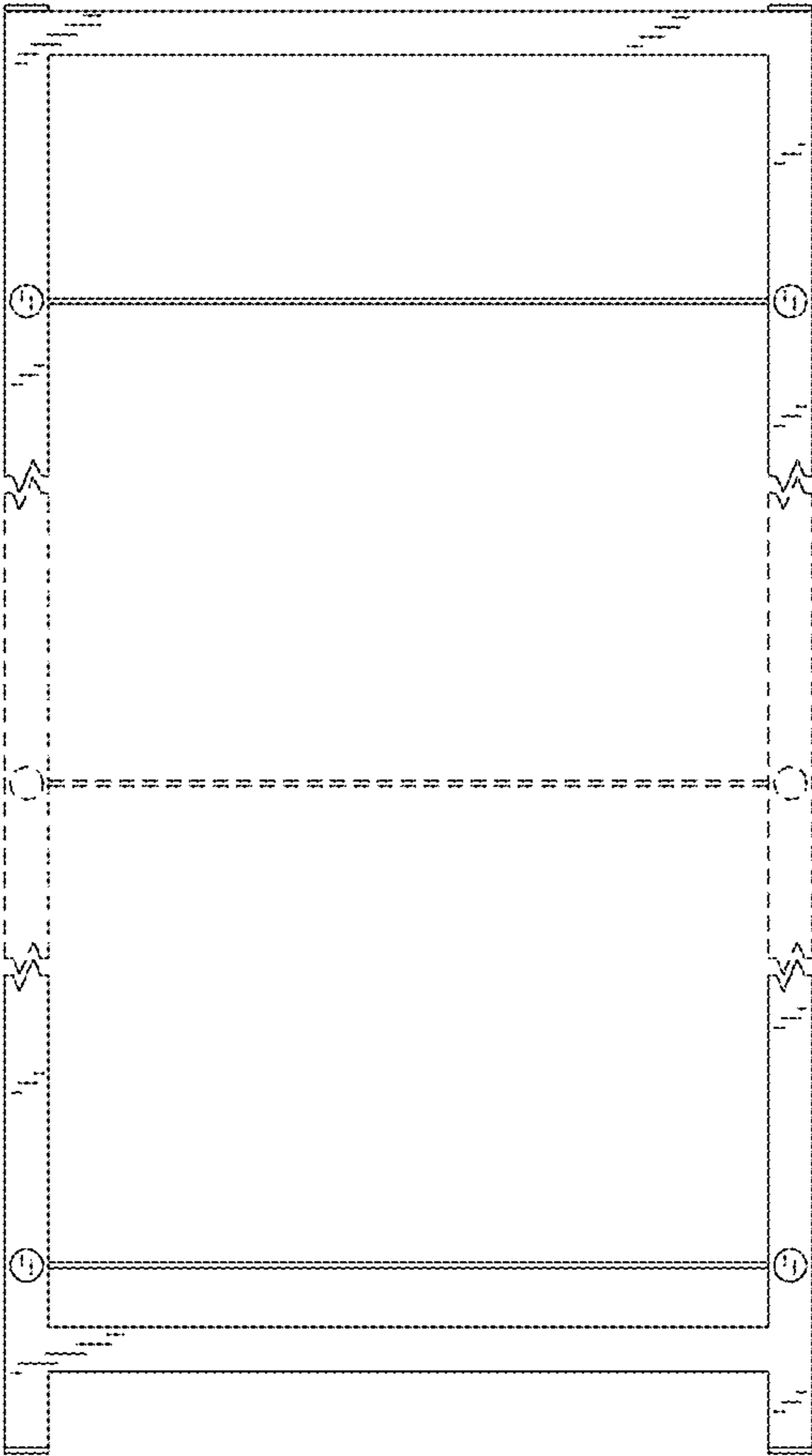


FIG. 3



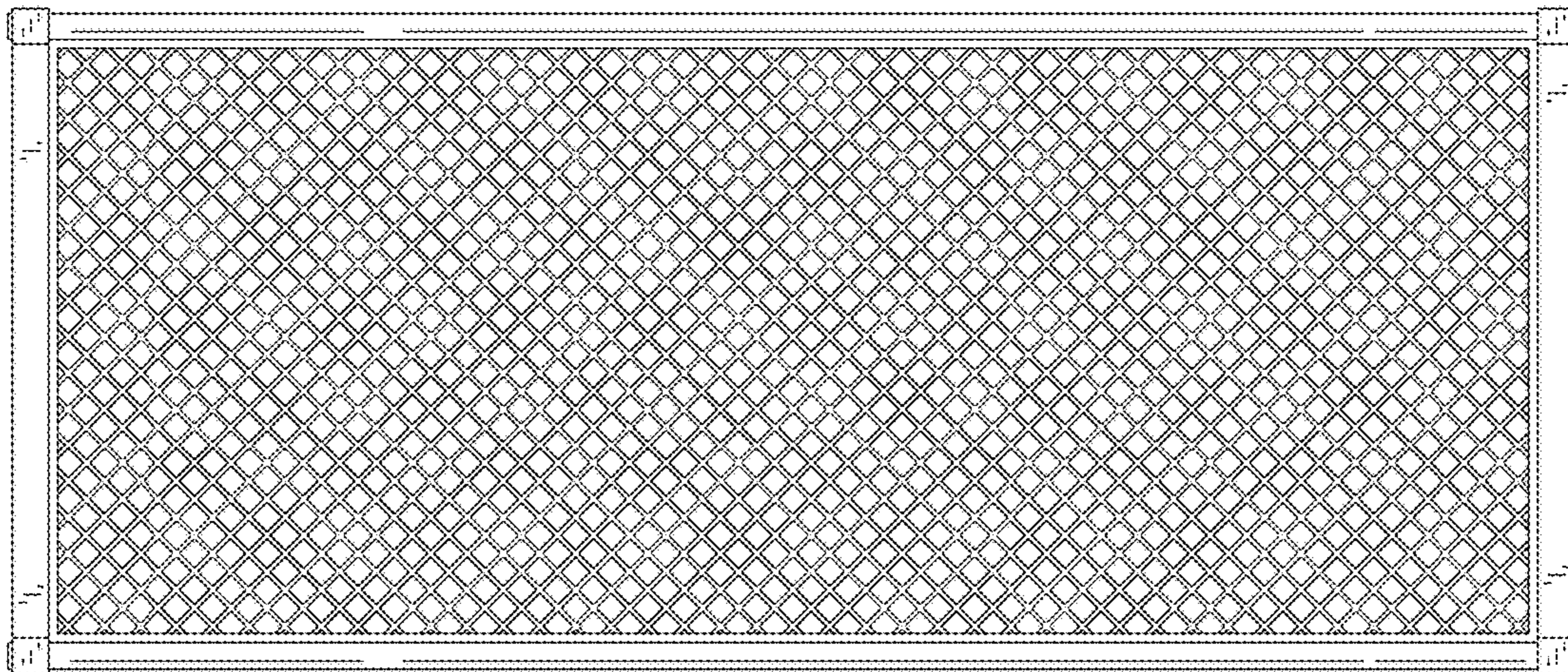


FIG. 4