



US00D802338S

(12) **United States Design Patent**
Kroll

(10) **Patent No.:** **US D802,338 S**

(45) **Date of Patent:** **** Nov. 14, 2017**

(54) **CROSS-SHAPED DISPLAY FRAME FOR
INSERTION OF DISPLAY MATERIAL**

(71) Applicant: **William F. Kroll**, Northbrook, IL (US)

(72) Inventor: **William F. Kroll**, Northbrook, IL (US)

(**) Term: **15 Years**

(21) Appl. No.: **29/601,672**

(22) Filed: **Apr. 25, 2017**

Related U.S. Application Data

(63) Continuation-in-part of application No. 29/565,877,
filed on May 25, 2016, now Pat. No. Des. 784,737,
(Continued)

(51) **LOC (10) Cl.** **20-02**

(52) **U.S. Cl.**
USPC **D6/674**

(58) **Field of Classification Search**
USPC D6/300-314, 343, 352, 362, 391, 514,
D6/519, 552, 556, 573, 574, 629, 630,
(Continued)

(56) **References Cited**

U.S. PATENT DOCUMENTS

D33,812 S * 12/1900 Sweet D99/23
D67,289 S * 5/1925 Ladewich D99/23
(Continued)

Primary Examiner — Cathron Brooks

Assistant Examiner — Teddy Falloway

(74) *Attorney, Agent, or Firm* — Mark D. Bowen; Malin
Haley DiMaggio & Bowen, P.A.

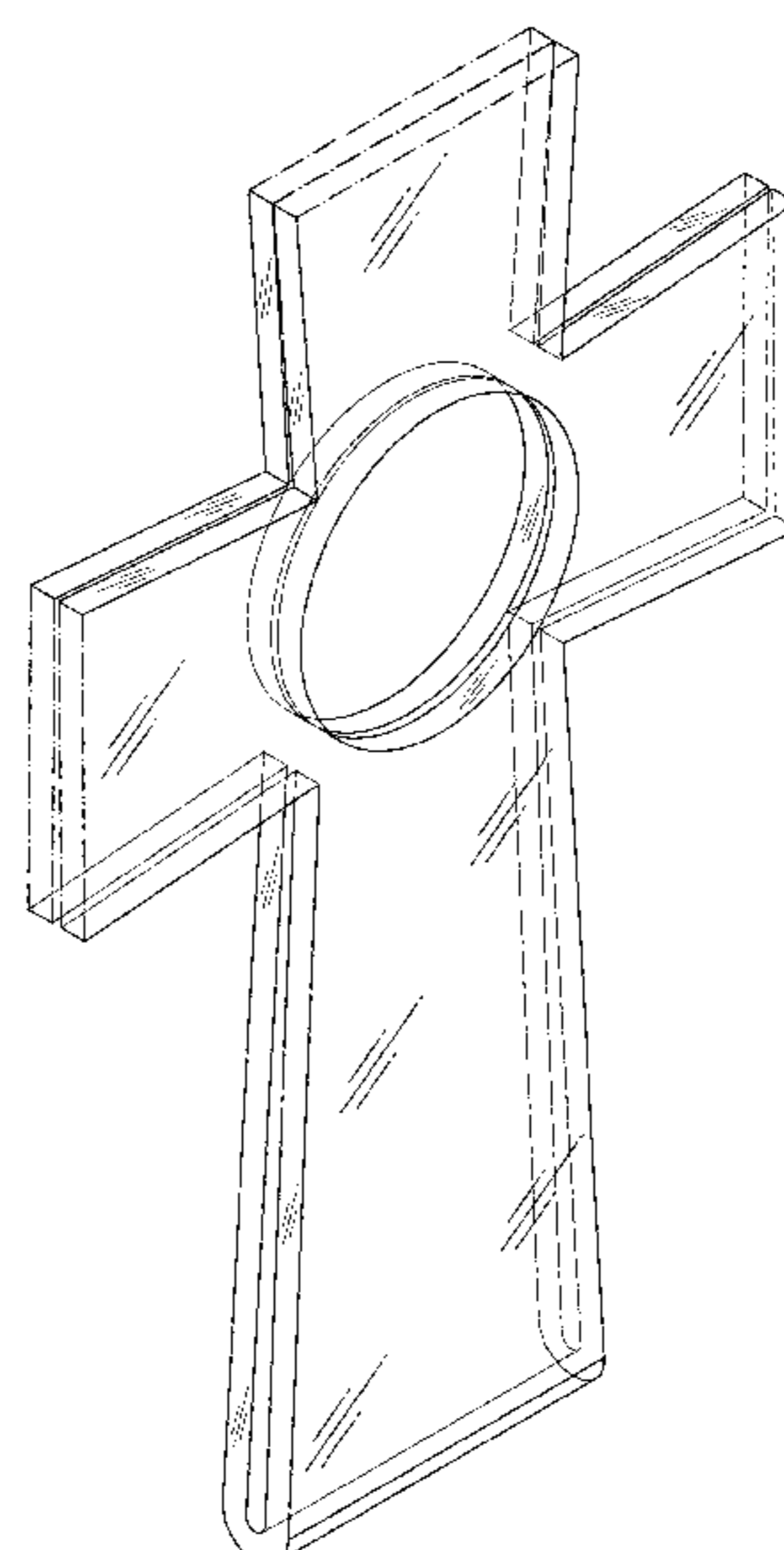
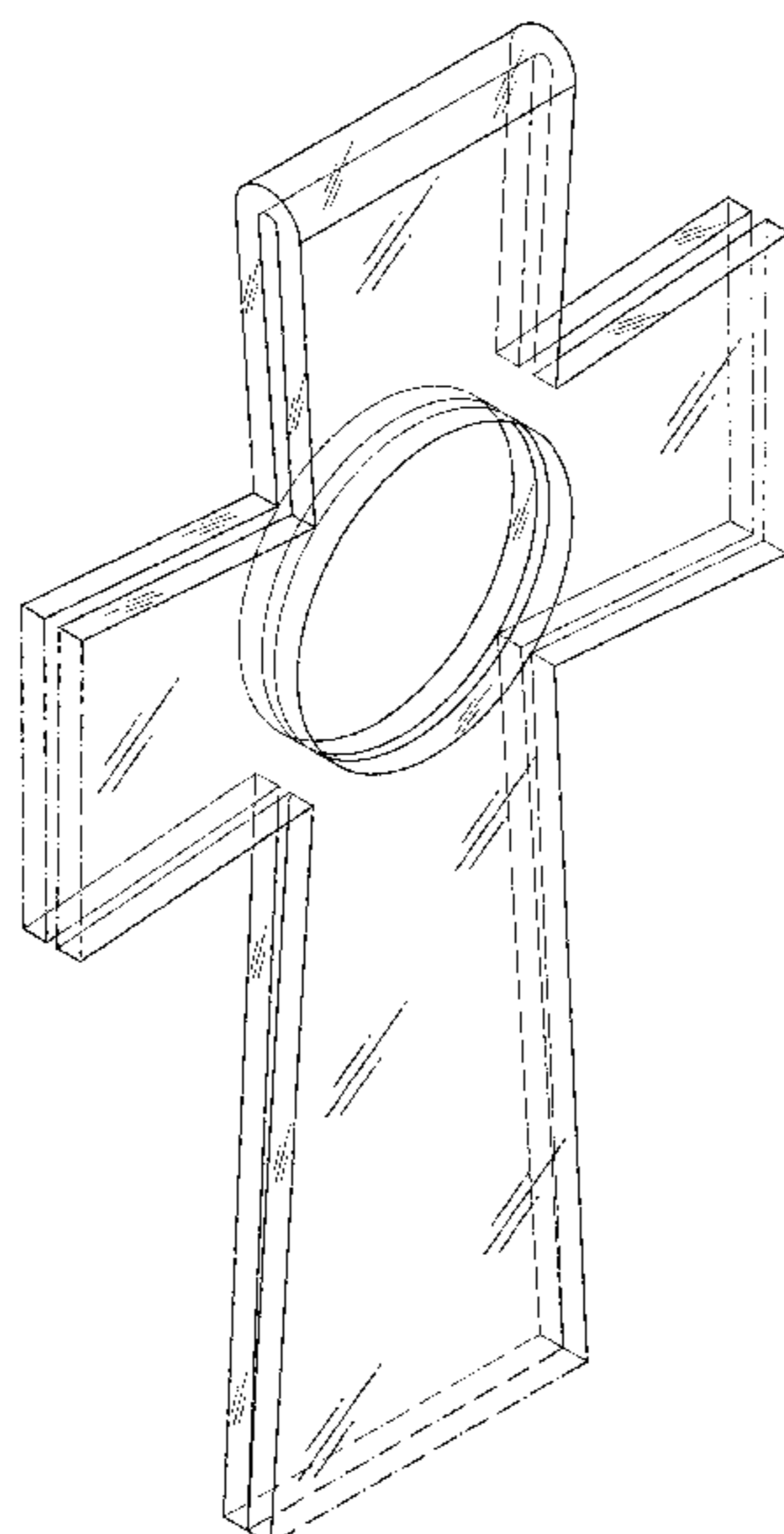
(57) **CLAIM**

The ornamental design for a cross-shaped display frame for
insertion of display material, as shown and described.

DESCRIPTION

FIG. 1 is a front perspective view of a cross-shaped display
frame for insertion of display material in accordance with
the present invention,
FIG. 2 is a rear perspective view thereof;
FIG. 3 is a front thereof, with the rear view being identical;
FIG. 4 is a left side view thereof, with the right side view
being identical;
FIG. 5 is a top view thereof;
FIG. 6 is a bottom view thereof;
FIG. 7 is a front perspective view of another embodiment of
a cross-shaped display frame for insertion of display mate-
rial in accordance with the present invention,
FIG. 8 is a rear perspective view thereof;
FIG. 9 is a front thereof, with the rear view being identical;
FIG. 10 is a left side view thereof, with the right side view
being identical;
FIG. 11 is a top view thereof;
FIG. 12 is a bottom view thereof;
FIG. 13 is a front perspective view of another embodiment
of a cross-shaped display frame for insertion of display
material in accordance with the present invention,
FIG. 14 is a rear perspective view thereof;
FIG. 15 is a front thereof, with the rear view being identical;
FIG. 16 is a left side view thereof, with the right side view
being identical;
FIG. 17 is a top view thereof;
FIG. 18 is a bottom view thereof.
FIG. 19 is a front perspective view of another embodiment
of a cross-shaped display frame for insertion of display
material in accordance with the present invention,
FIG. 20 is a rear perspective view thereof;
FIG. 21 is a front thereof, with the rear view being identical;
FIG. 22 is a left side view thereof, with the right side view
being identical;
FIG. 23 is a top view thereof; and,
FIG. 24 is a bottom view thereof.
The dot-dash broken lines shown in FIGS. 1-24 represent the
bounds of the claimed design and form no part thereof.

1 Claim, 16 Drawing Sheets



Related U.S. Application Data

which is a continuation-in-part of application No. 29/488,398, filed on Apr. 18, 2014, now Pat. No. Des. 768,414.

(58) **Field of Classification Search**

USPC D6/641, 653, 653.14, 653.21, 661.2, 670, D6/672-675, 675.1, 675.3, 675.4, 676.3, D6/680.2, 685, 691.5; D11/86, 96, 122, D11/125, 157; D20/15, 29; D26/4, 94, D26/125; D99/5, 17, 23, 25, 27; 428/3
 CPC A47F 3/00; A47F 5/00
 See application file for complete search history.

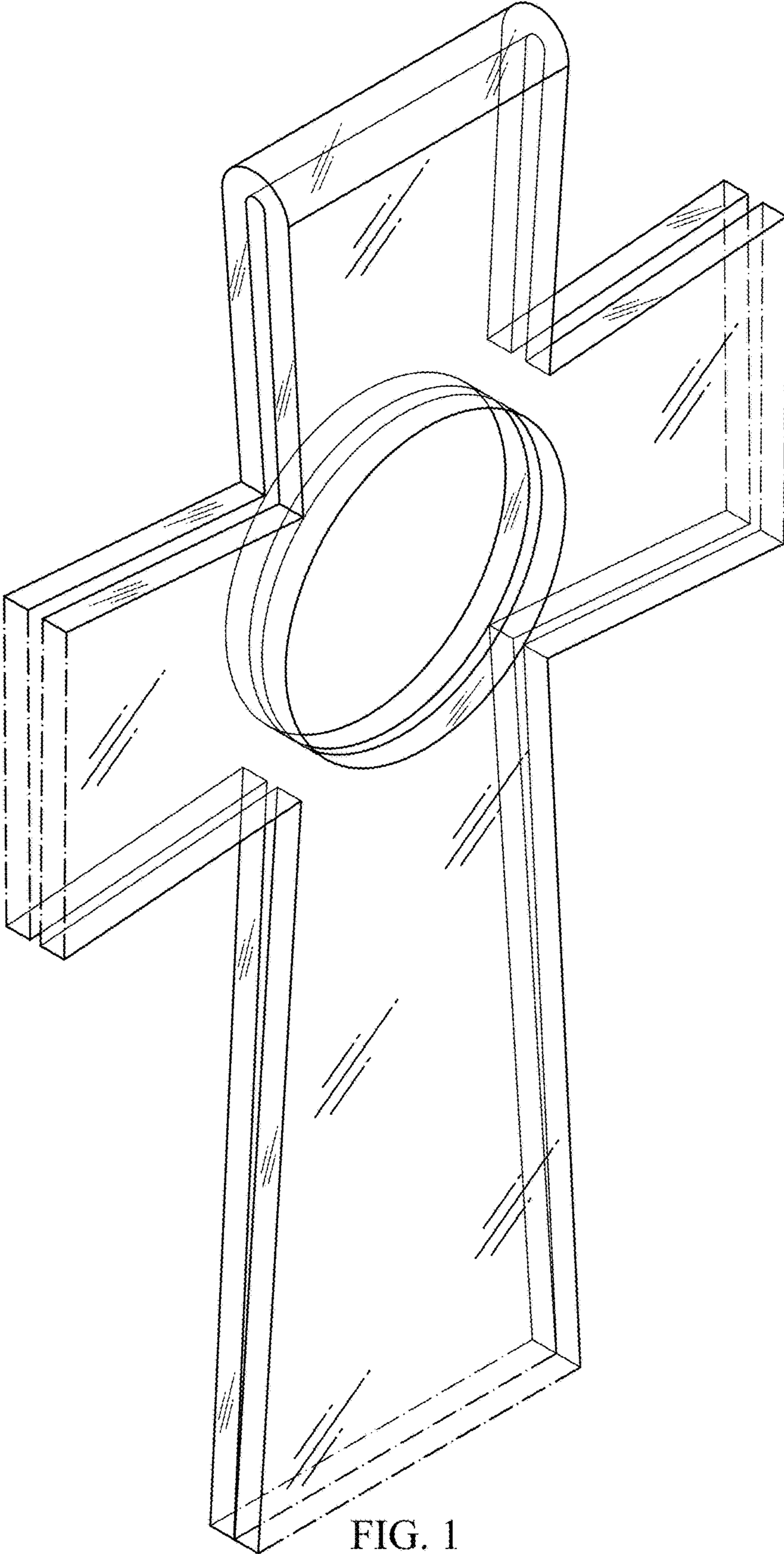
(56) **References Cited**

U.S. PATENT DOCUMENTS

D86,806 S *	4/1932	Reinhold	D99/23
D153,787 S *	5/1949	Goldberg	D11/122
D153,788 S *	5/1949	Goldberg	D6/305
D412,074 S *	7/1999	DeWitt	D6/672
D426,582 S *	6/2000	Noreika	D19/90
D658,908 S *	5/2012	Kroll	D6/674
D659,430 S *	5/2012	Kroll	D6/674
D659,431 S *	5/2012	Kroll	D6/674

D659,432 S *	5/2012	Kroll	D6/674
D671,770 S *	12/2012	Kroll	D6/674
D710,706 S *	8/2014	Tussy	D9/600
RE45,427 E *	3/2015	Kroll	D6/300
RE45,428 E *	3/2015	Kroll	D6/300
RE45,546 E *	6/2015	Kroll	D6/674
RE45,560 E *	6/2015	Kroll	D6/300
RE45,622 E *	7/2015	Kroll	D6/300
D745,793 S *	12/2015	Kroll	D20/29
D746,086 S *	12/2015	Kroll	D20/29
RE45,843 E *	1/2016	Kroll	D6/300
D752,367 S *	3/2016	Kroll	D20/29
D752,368 S *	3/2016	Kroll	D20/29
D757,466 S *	5/2016	Kroll	D20/29
RE46,061 E *	7/2016	Kroll	D6/674
D768,414 S *	10/2016	Kroll	D20/29
D768,416 S *	10/2016	Kroll	D20/29
RE46,216 E *	11/2016	Kroll	D6/674
D774,806 S *	12/2016	Kroll	D20/29
D775,868 S *	1/2017	Kroll	D6/674
D775,869 S *	1/2017	Kroll	D6/674
D776,464 S *	1/2017	Kroll	D20/29
D776,962 S *	1/2017	Kroll	D20/29
D784,737 S *	4/2017	Kroll	D20/29
D785,977 S *	5/2017	Kroll	D20/29
RE46,460 E *	7/2017	Kroll	D6/674

* cited by examiner



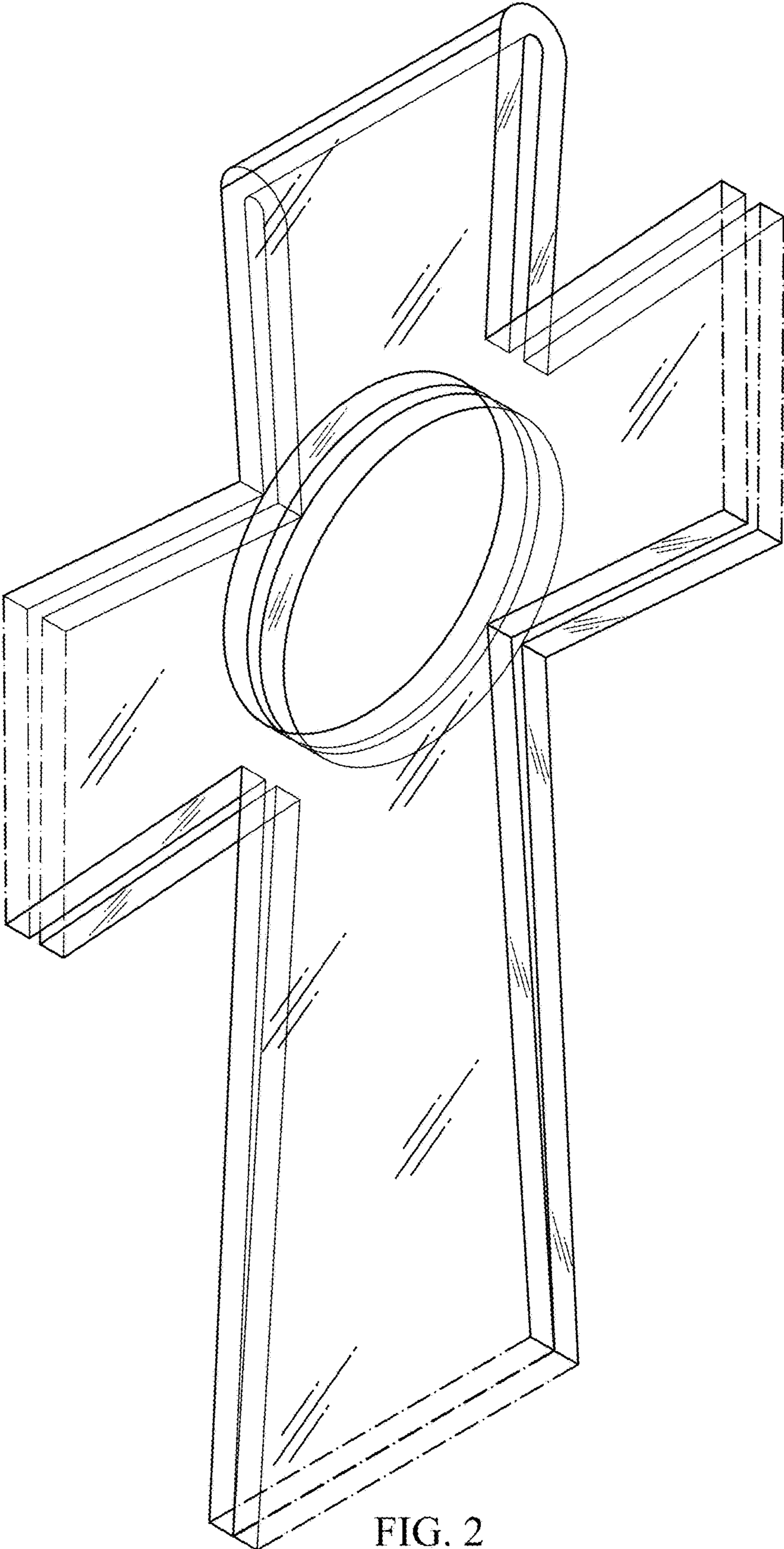


FIG. 2

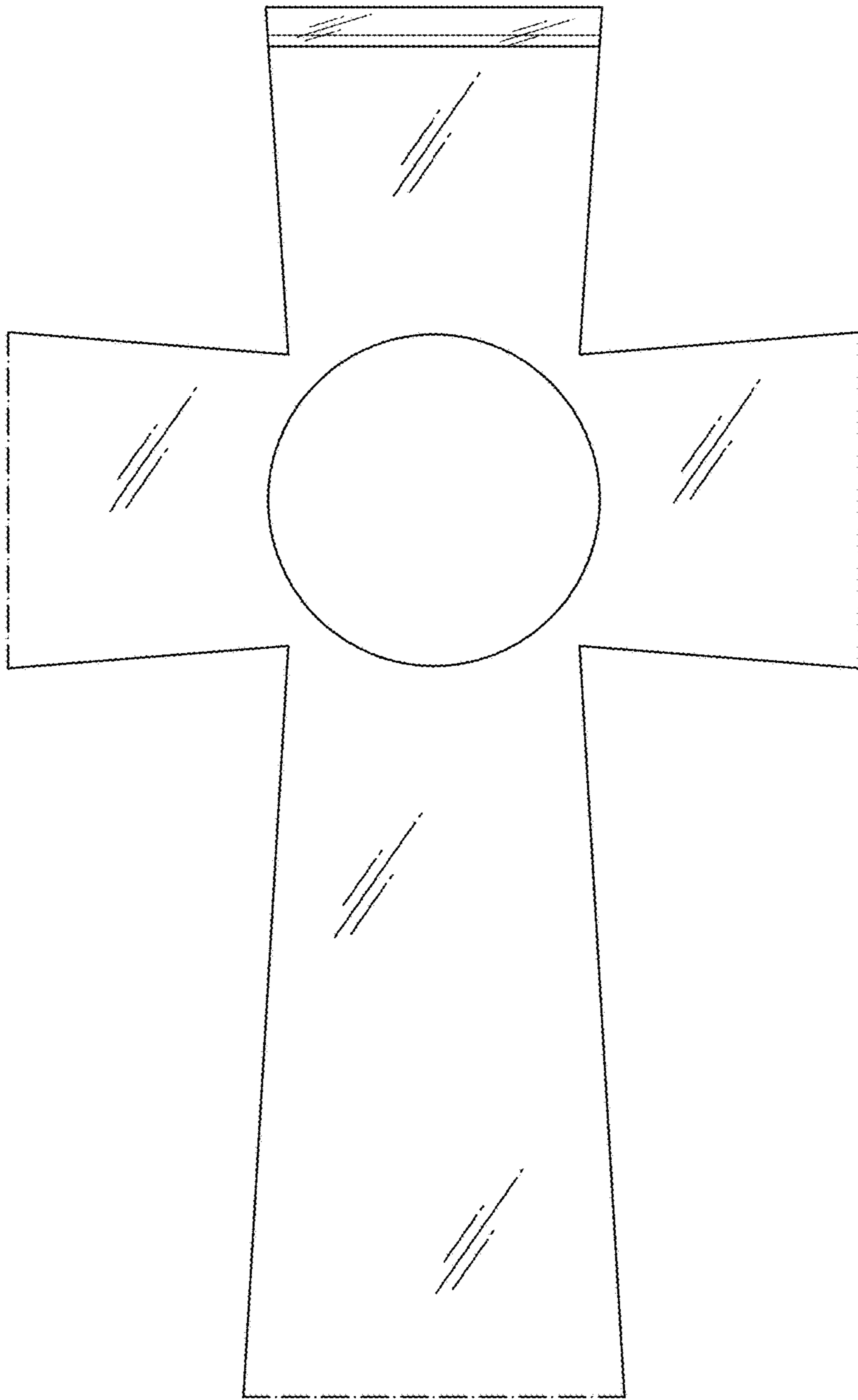


FIG. 3

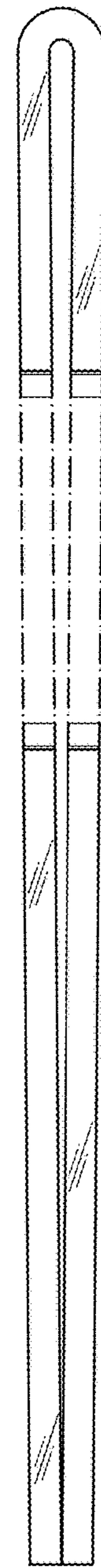


FIG. 4

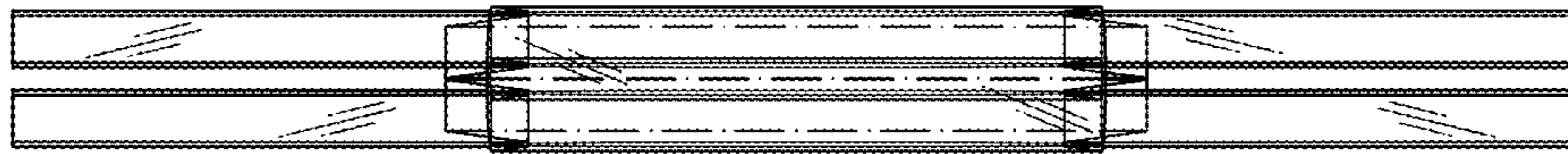


FIG. 5

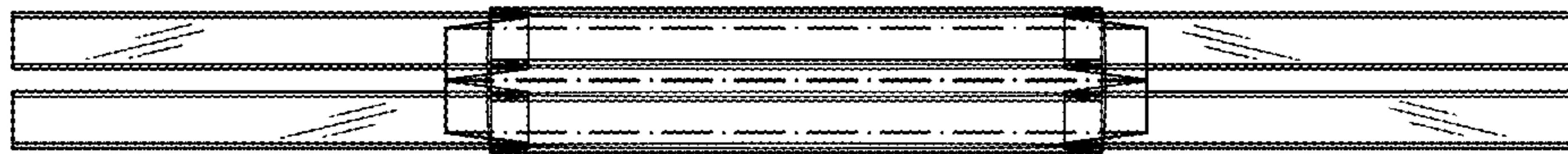


FIG. 6

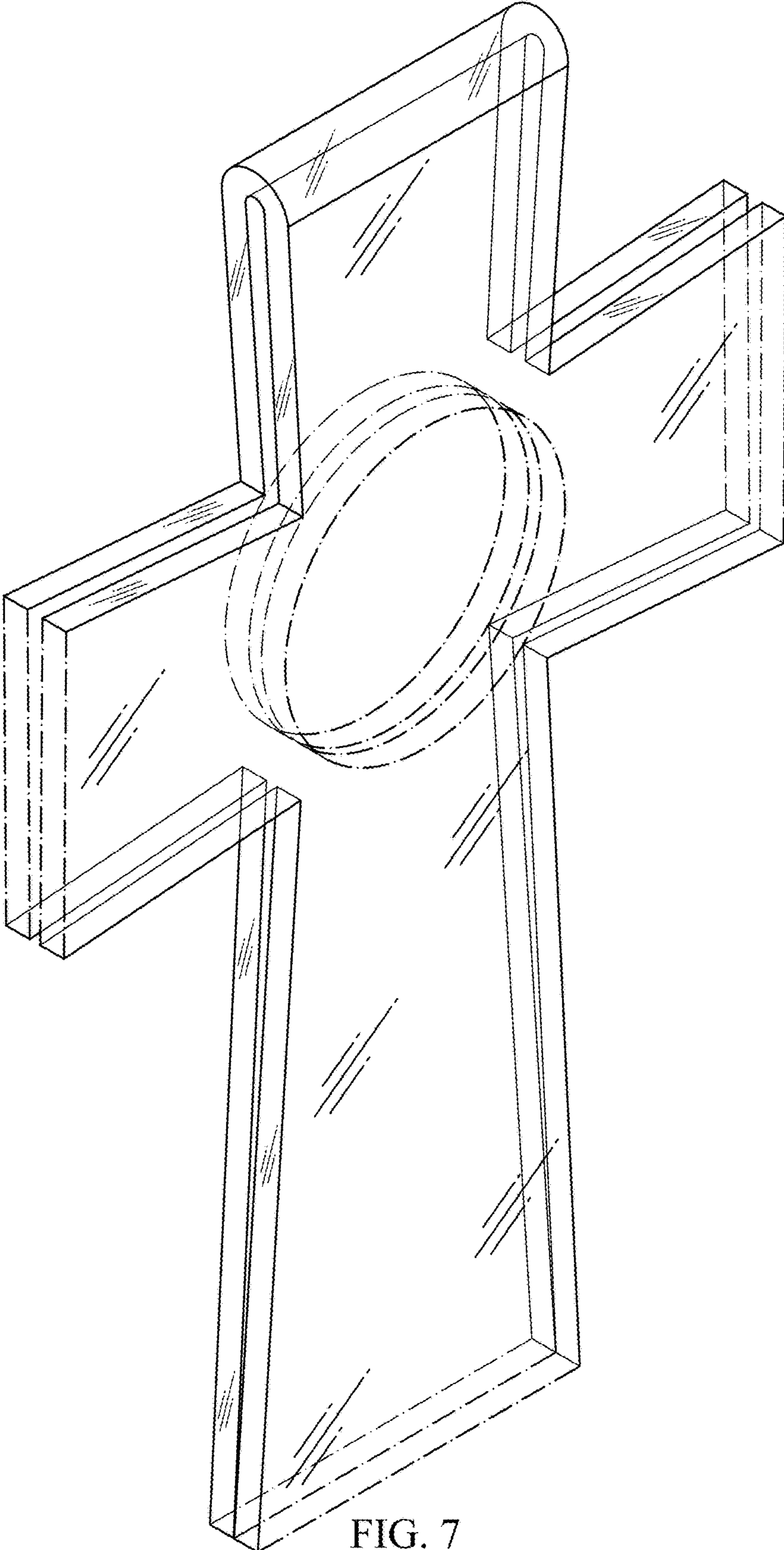
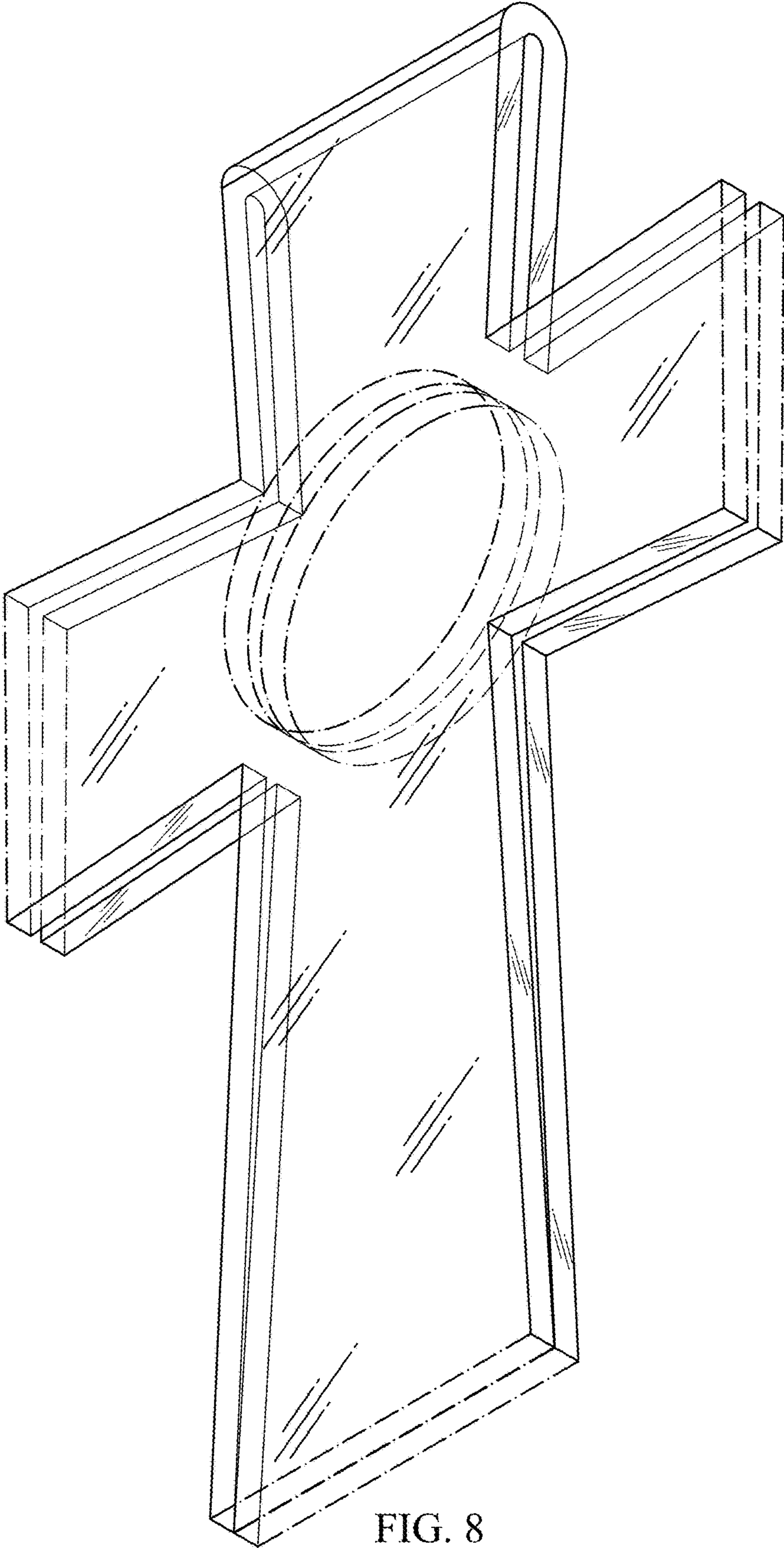


FIG. 7



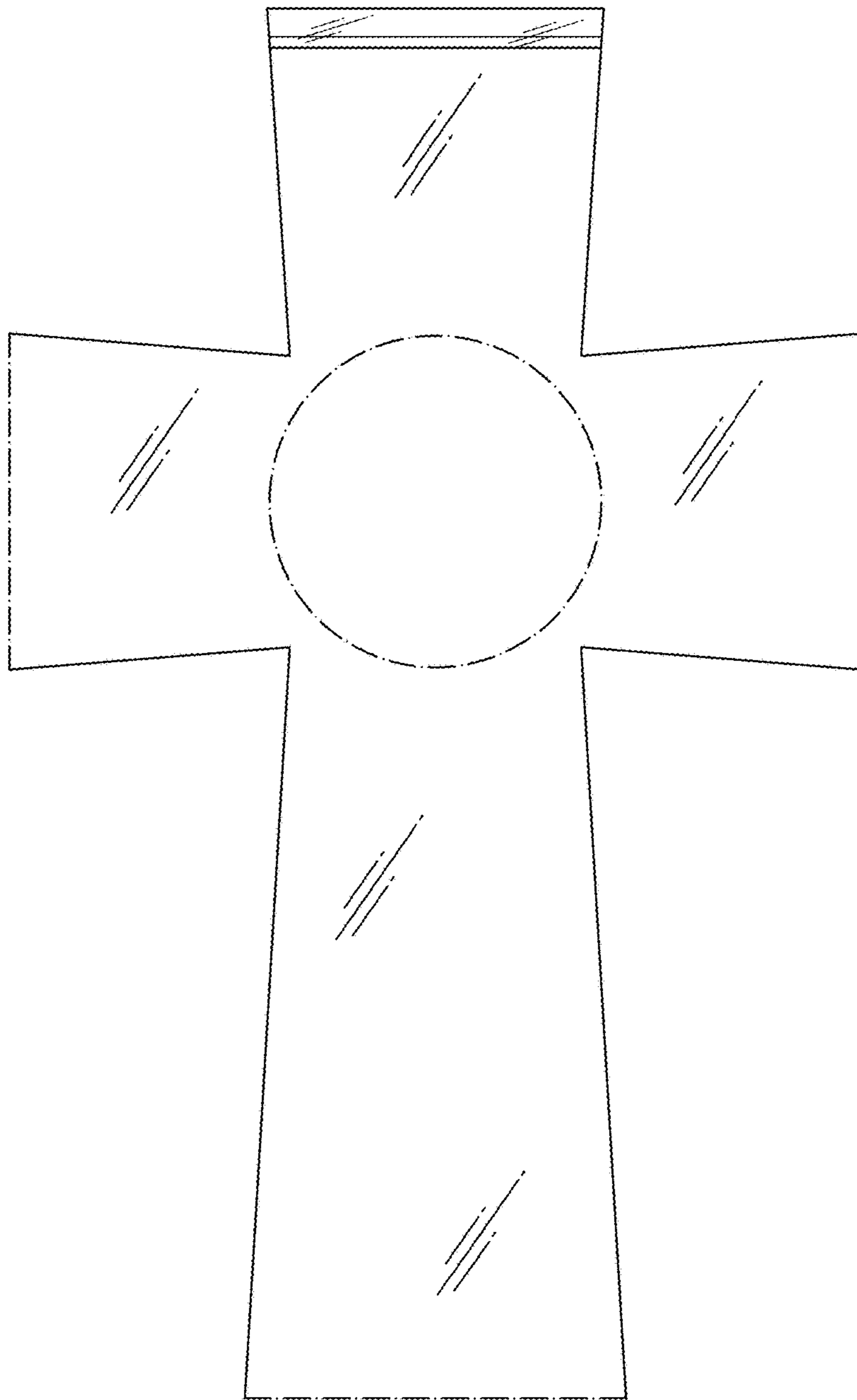


FIG. 9

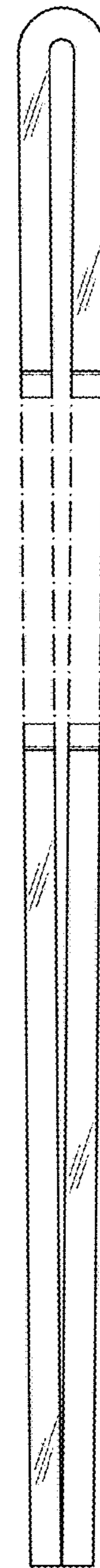


FIG. 10

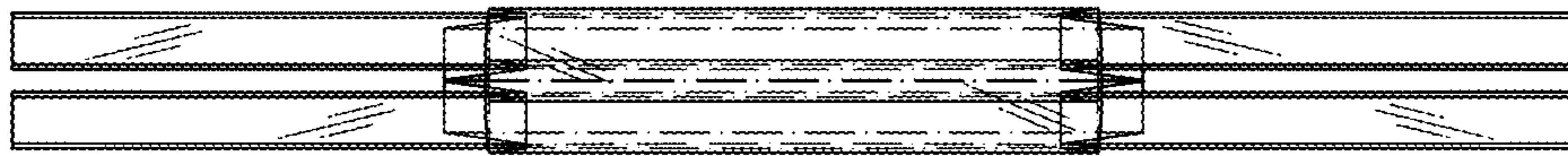


FIG. 11

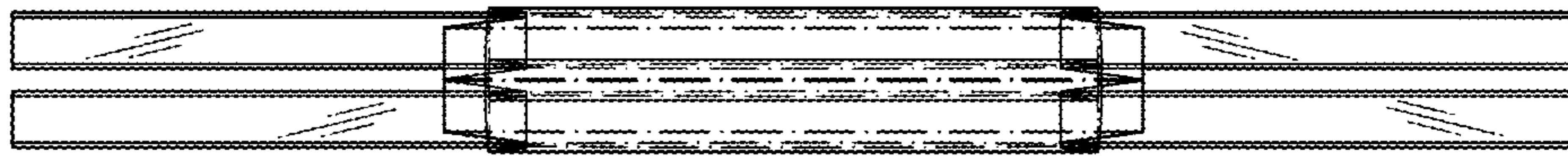


FIG. 12

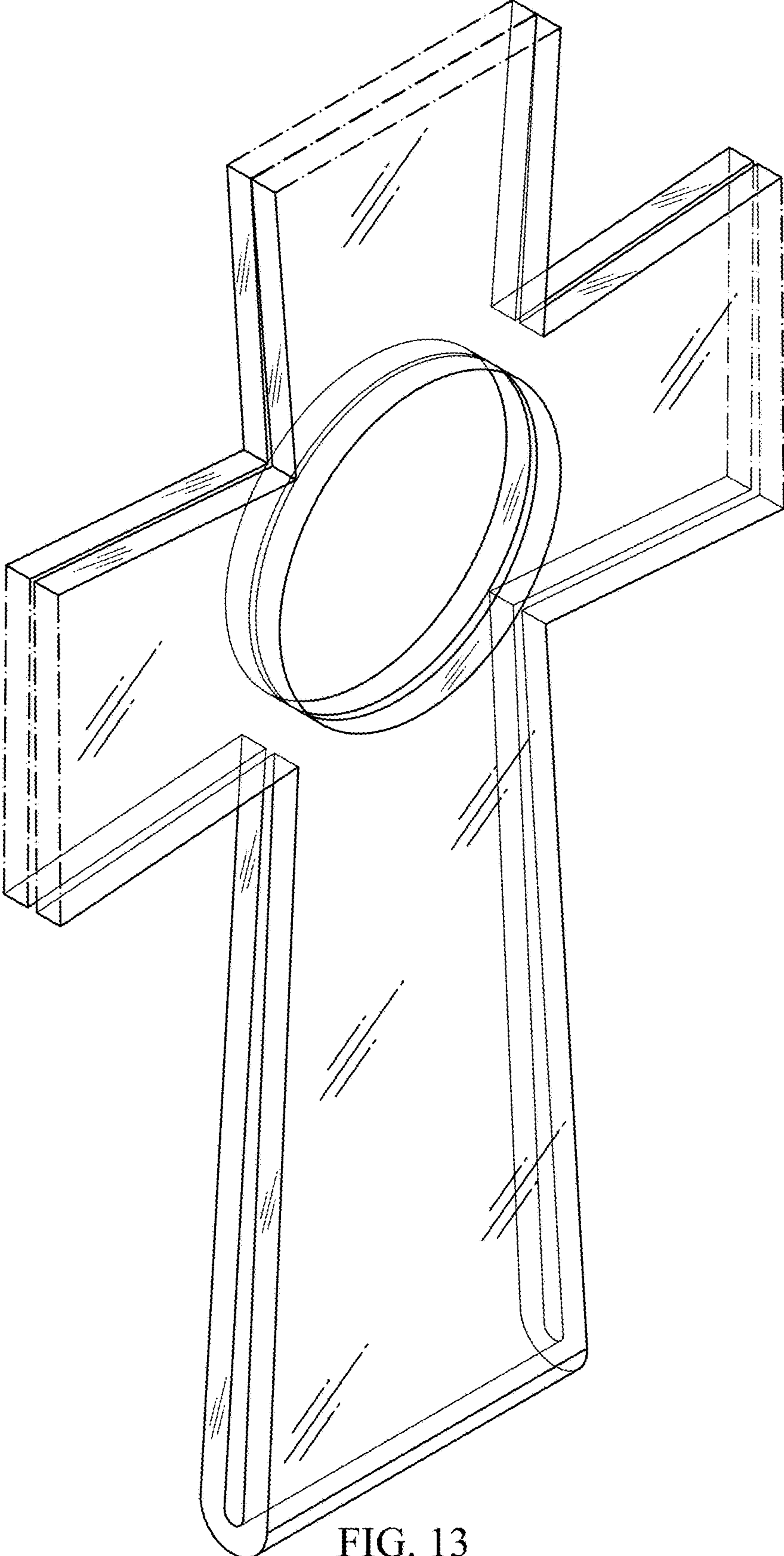
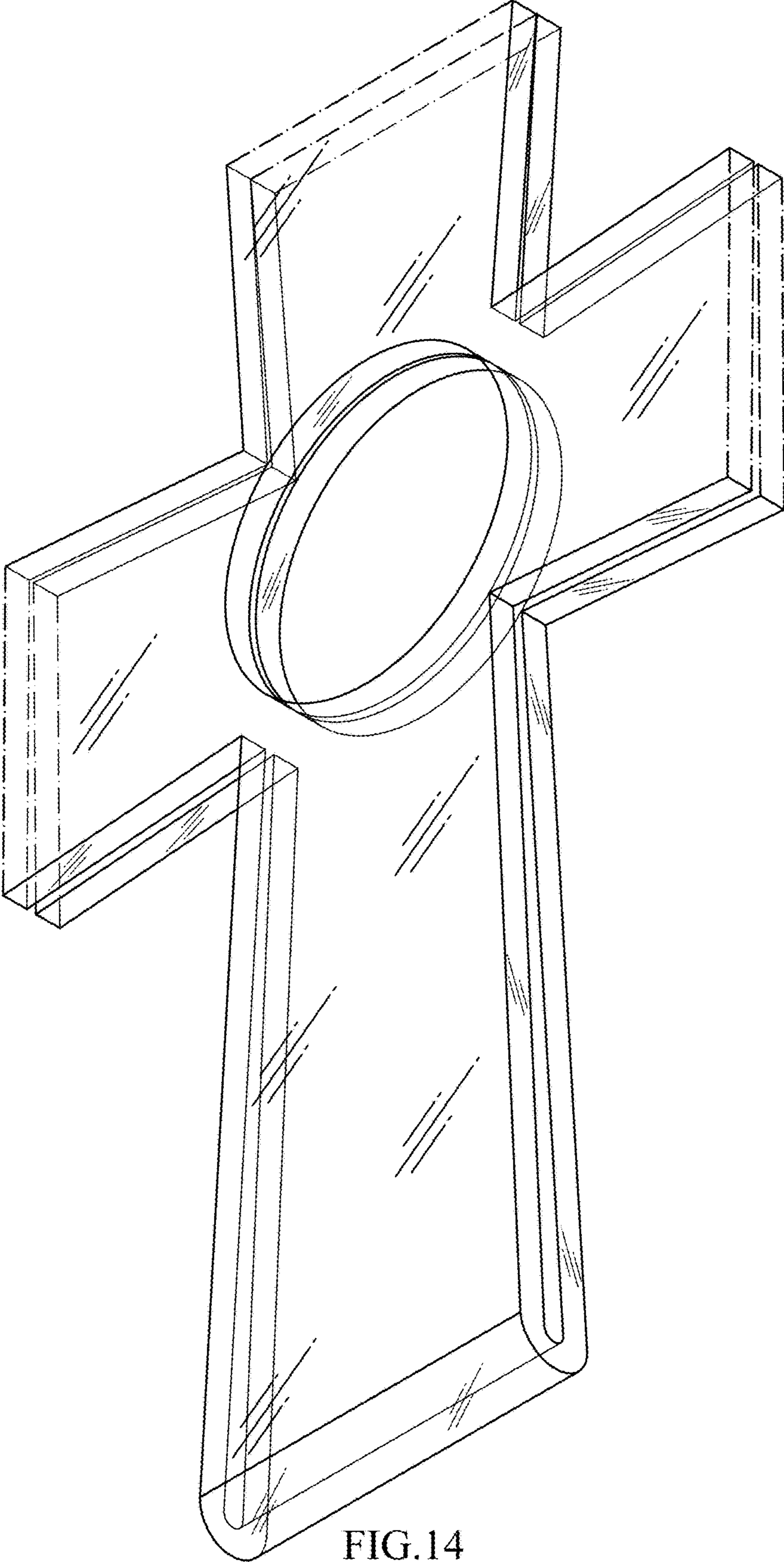


FIG. 13



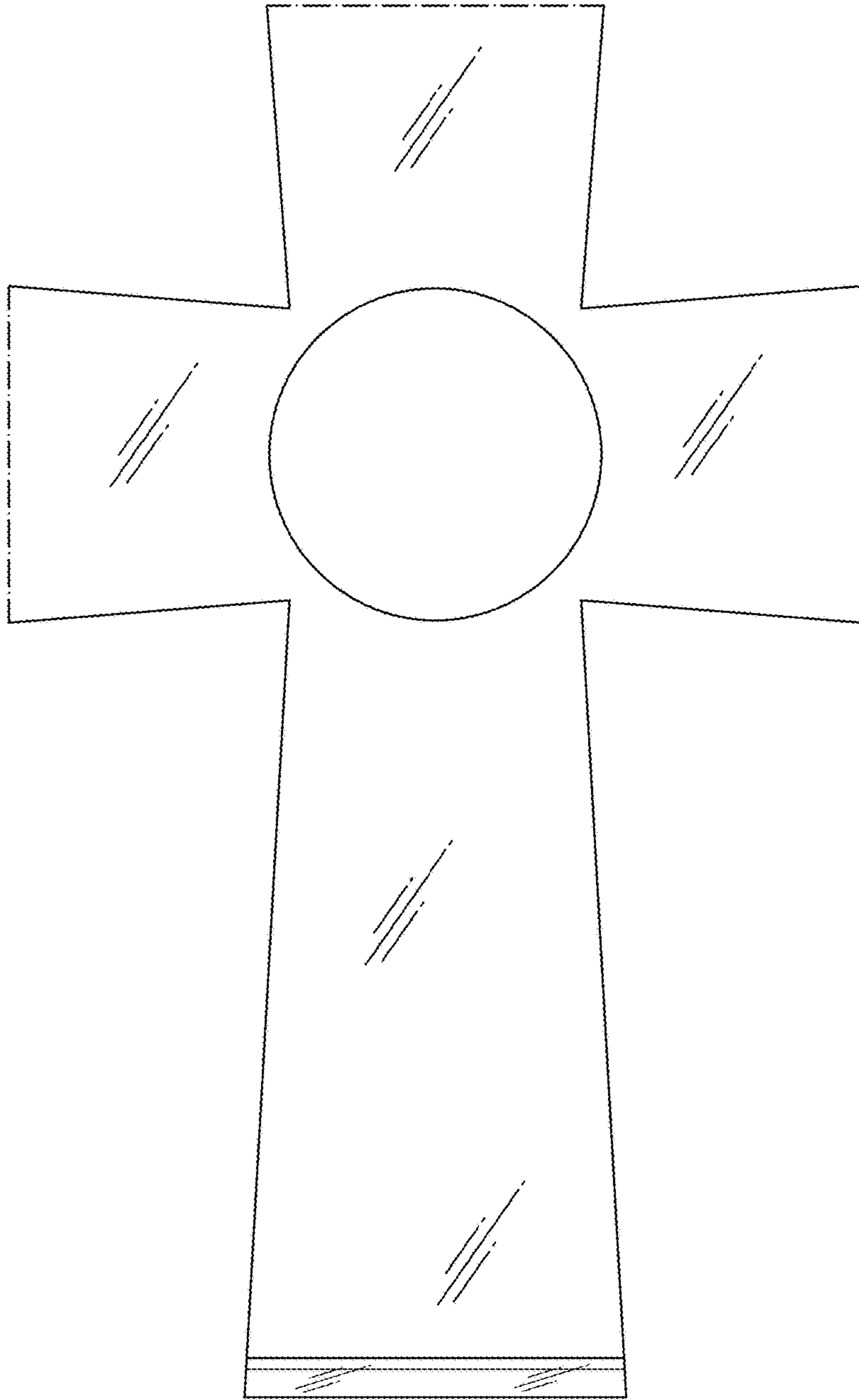


FIG. 15



FIG. 16

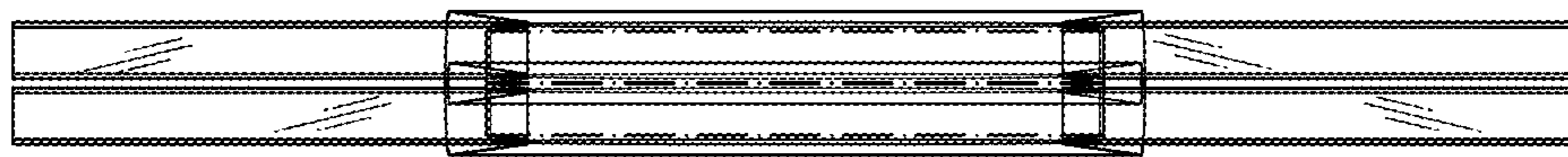


FIG. 17

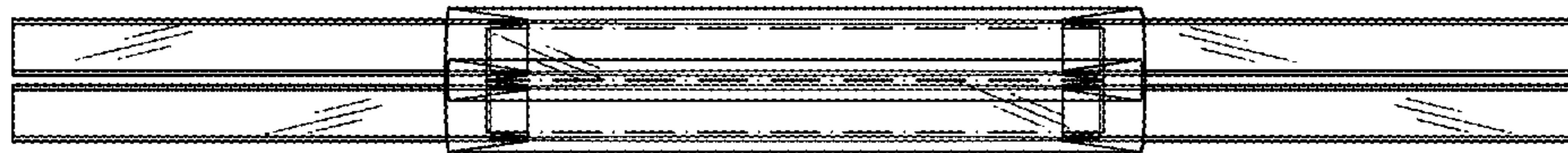


FIG. 18

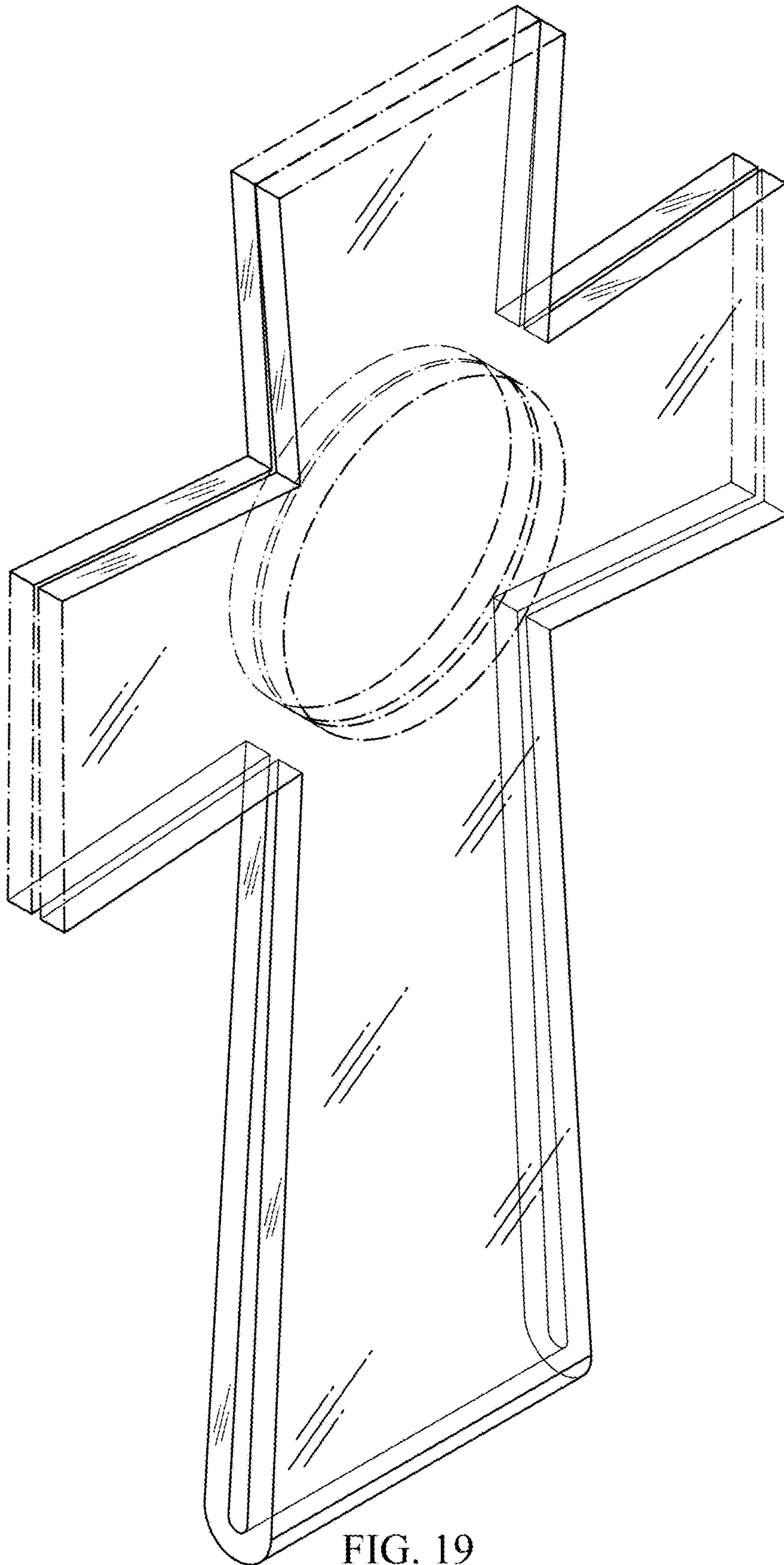


FIG. 19

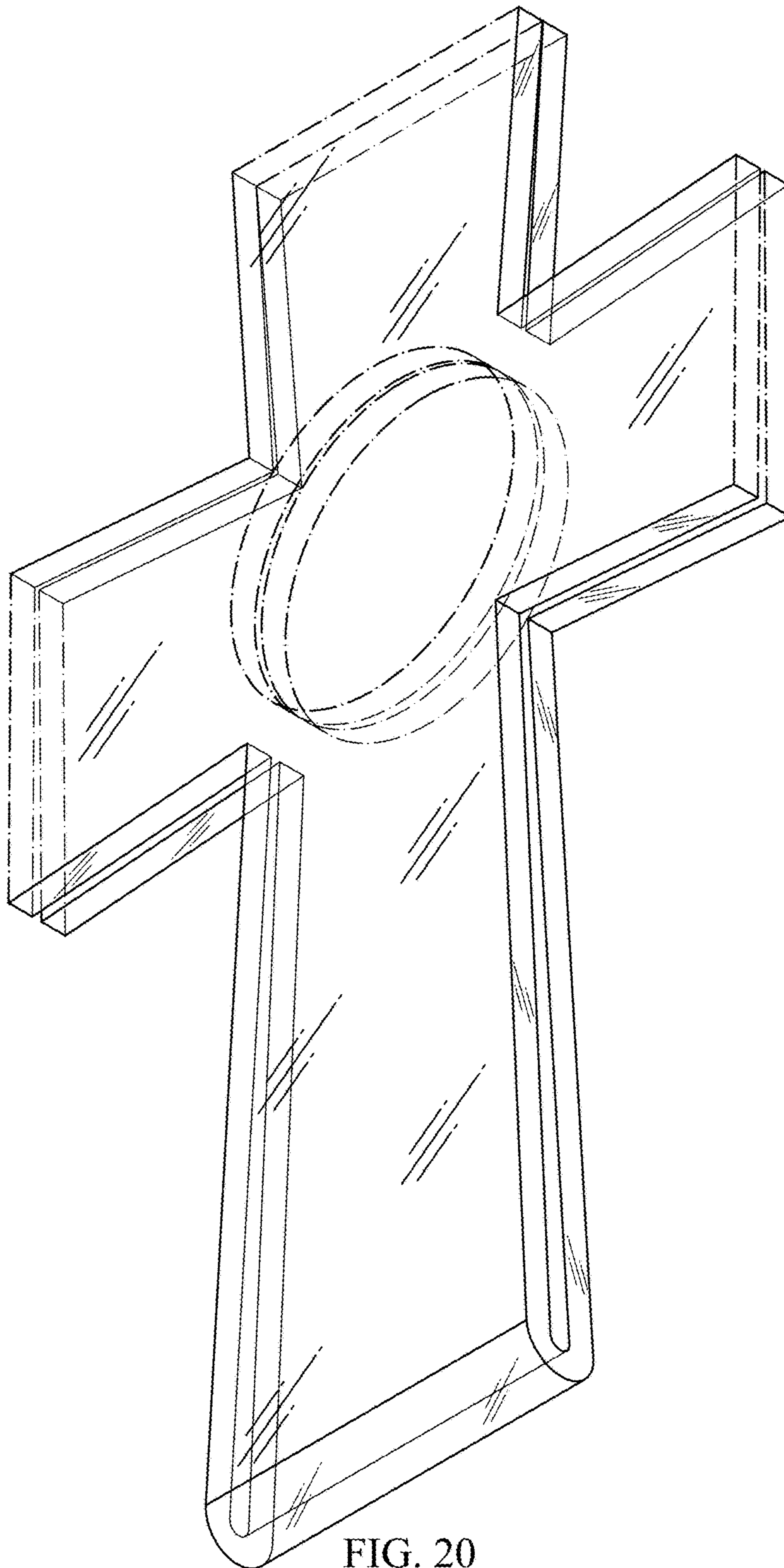


FIG. 20

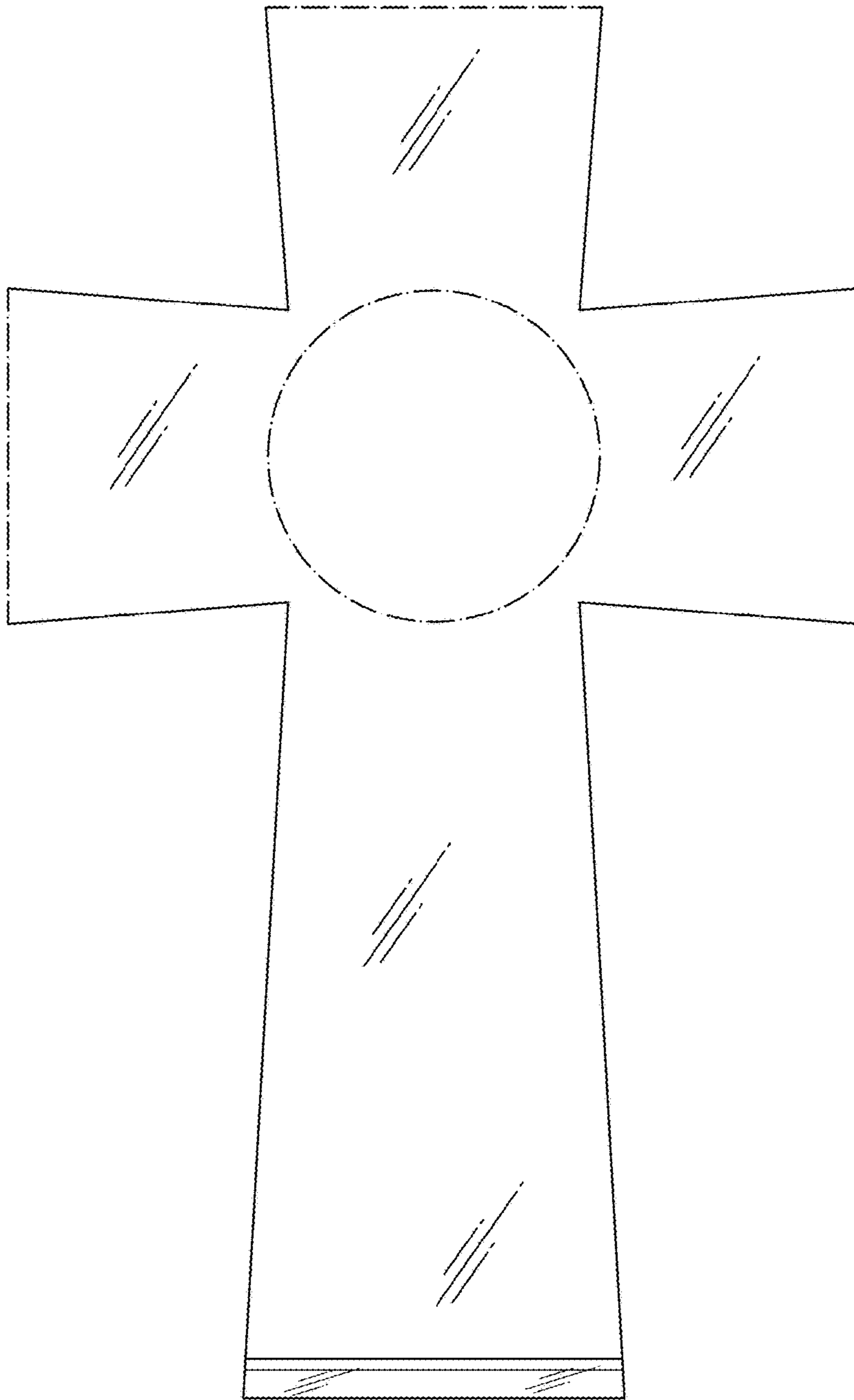


FIG. 21

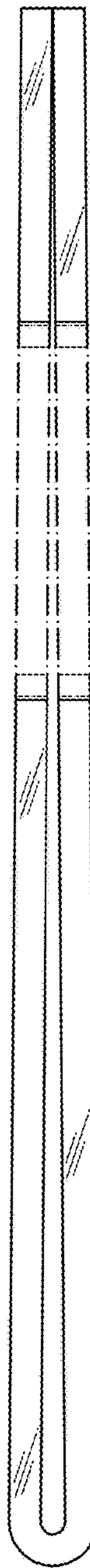


FIG. 22

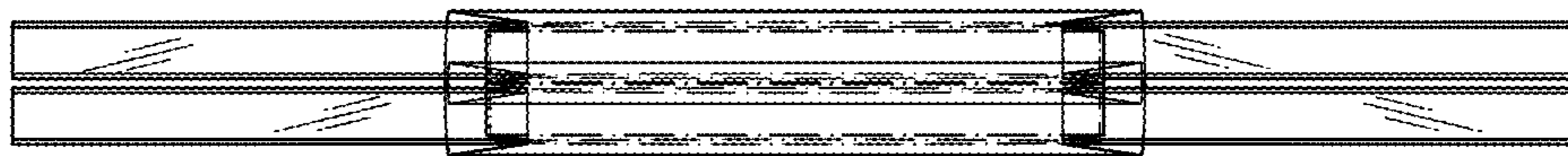


FIG. 23



FIG. 24