



US00D802337S

(12) **United States Design Patent** (10) **Patent No.:** **US D802,337 S**  
**Smith** (45) **Date of Patent:** **\*\* Nov. 14, 2017**

(54) **OFFICE BUREAU AND HANGING RACK**  
(71) Applicant: **Michael C. Smith**, Marshall, TX (US)  
(72) Inventor: **Michael C. Smith**, Marshall, TX (US)  
(\*\*) Term: **15 Years**  
(21) Appl. No.: **29/580,457**  
(22) Filed: **Oct. 10, 2016**  
(51) **LOC (10) Cl.** ..... **06-04**  
(52) **U.S. Cl.**  
USPC ..... **D6/657**  
(58) **Field of Classification Search**  
USPC ..... D6/655, 657, 663, 671, 671.1, 675.1,  
D6/675.3, 708; D34/14, 20, 27;  
D24/185  
CPC ..... A47B 1/10; A47B 45/00; A61G 12/00;  
A61G 12/001; B62B 2202/56; B62B  
2206/06  
See application file for complete search history.

D592,432 S \* 5/2009 Sexton ..... D6/661  
D595,978 S \* 7/2009 Portnoy ..... D6/675.3  
7,594,668 B2 9/2009 Arceta et al.  
7,595,995 B2 9/2009 Hock  
7,800,914 B2 9/2010 Dully  
7,826,220 B1 11/2010 Baker  
D651,429 S \* 1/2012 Ussen ..... D6/671.1  
D663,139 S \* 7/2012 Zambelli ..... D6/661  
D668,894 S \* 10/2012 Denby ..... D6/708  
8,485,111 B2 7/2013 Chinuki et al.  
8,657,133 B2 \* 2/2014 McGowan ..... A47B 47/00  
108/108  
8,752,848 B2 6/2014 Petrick et al.  
D730,011 S \* 5/2015 McRorie ..... D34/14

(Continued)

*Primary Examiner* — Kevin K Rudzinski  
*Assistant Examiner* — Paul D Bohannon  
(74) *Attorney, Agent, or Firm* — Hemingway & Hansen,  
LLP; D. Scott Hemingway

(57) **CLAIM**

The ornamental design for an office bureau and hanging rack, as shown and described.

(56) **References Cited**

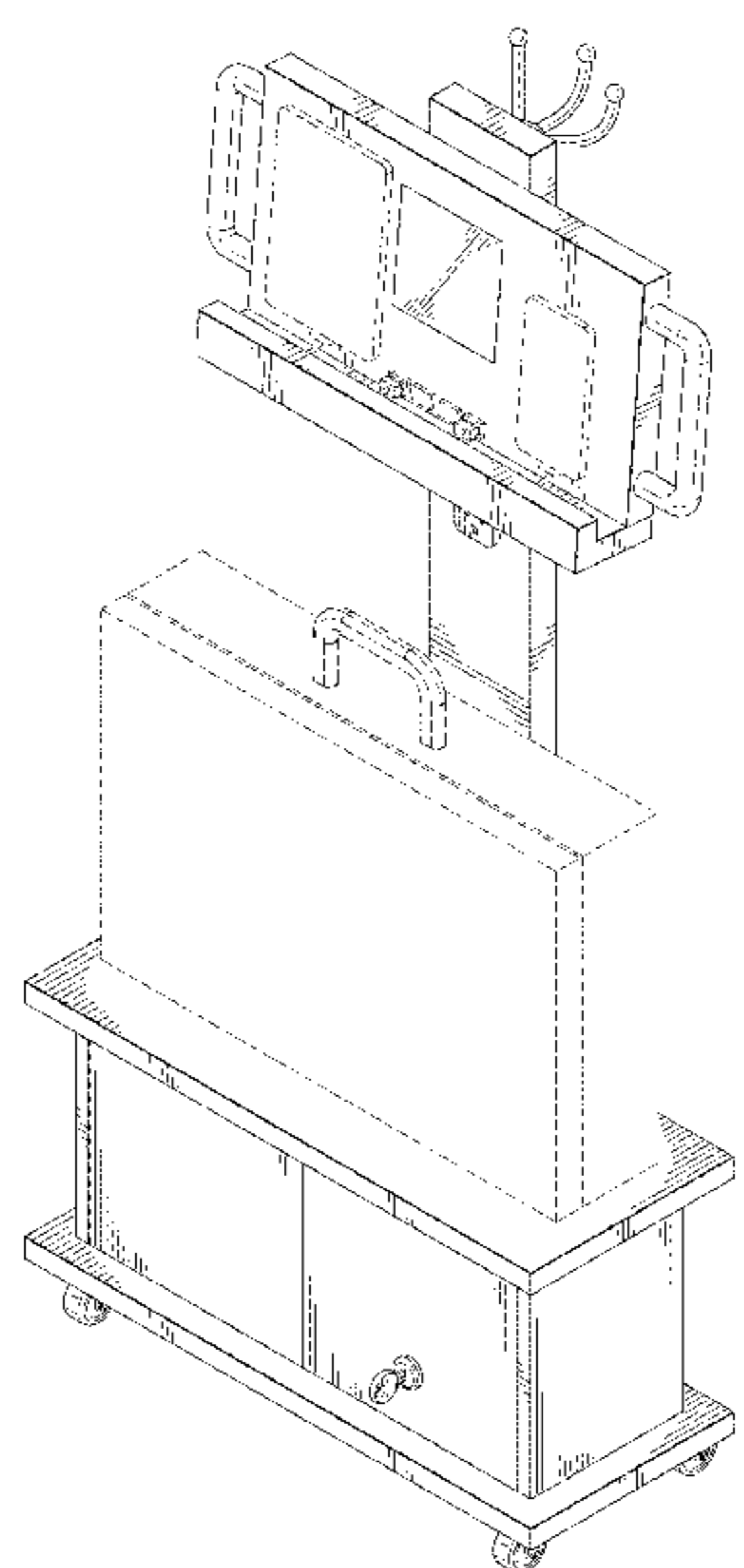
U.S. PATENT DOCUMENTS

D228,718 S \* 10/1973 Kramer ..... D6/708  
4,718,741 A 1/1988 Nichoalds  
D303,191 S \* 9/1989 Schwartz ..... D24/185  
5,329,865 A 7/1994 McWard  
5,330,263 A 7/1994 Wilkinson  
D393,382 S \* 4/1998 Rutter ..... D6/655  
D406,431 S \* 3/1999 Tisbo ..... D34/20  
6,086,073 A 7/2000 Tisbo et al.  
6,218,796 B1 4/2001 Kozlowski  
6,493,217 B1 12/2002 Jenkins, Jr.  
D470,335 S \* 2/2003 Brooks ..... D6/671.1  
D472,402 S \* 4/2003 Wang ..... D6/657  
6,722,673 B1 4/2004 Hamlin  
7,130,190 B1 10/2006 Baker  
7,252,302 B1 8/2007 Thurn et al.  
D585,662 S \* 2/2009 Swanson ..... D6/657  
D587,499 S \* 3/2009 Bouissiere ..... D6/708

**DESCRIPTION**

FIG. 1 is a perspective view of my new office bureau and hanging rack design;  
FIG. 2. is a front view of my new office bureau and hanging rack design;  
FIG. 3. is a back view of my new office bureau and hanging rack design;  
FIG. 4 is a left side view of my new office bureau and hanging rack design; and,  
FIG. 5 is a left side view of my new office bureau and hanging rack design.  
The broken line showing of a briefcase, computer pad device or mobile phone in the Figures is for the purpose of illustrating objects that may be supported on the claimed design and forms no part of the claimed design.

**1 Claim, 4 Drawing Sheets**



(56)

**References Cited**

U.S. PATENT DOCUMENTS

D730,661 S \* 6/2015 Brunner ..... D6/671  
9,278,040 B2 \* 3/2016 Hung ..... G06F 3/01  
9,337,674 B2 5/2016 Wang  
D762,339 S \* 7/2016 McRorie ..... D34/27  
9,389,643 B1 7/2016 Clark et al.  
D774,333 S \* 12/2016 Pace ..... D6/675.3  
D782,225 S \* 3/2017 Duggin ..... D6/663  
D790,261 S \* 6/2017 Rogers ..... D6/675.1  
9,687,090 B2 \* 6/2017 Ireland ..... A47F 3/06  
2005/0264649 A1 \* 12/2005 Chang ..... F16M 11/041  
348/14.12  
2008/0084147 A1 4/2008 Brown  
2009/0158973 A1 6/2009 Felterman  
2011/0204757 A1 8/2011 Komata et al.  
2013/0307237 A1 \* 11/2013 Chen ..... A61G 12/001  
280/35  
2015/0042281 A1 2/2015 Marze et al.

\* cited by examiner

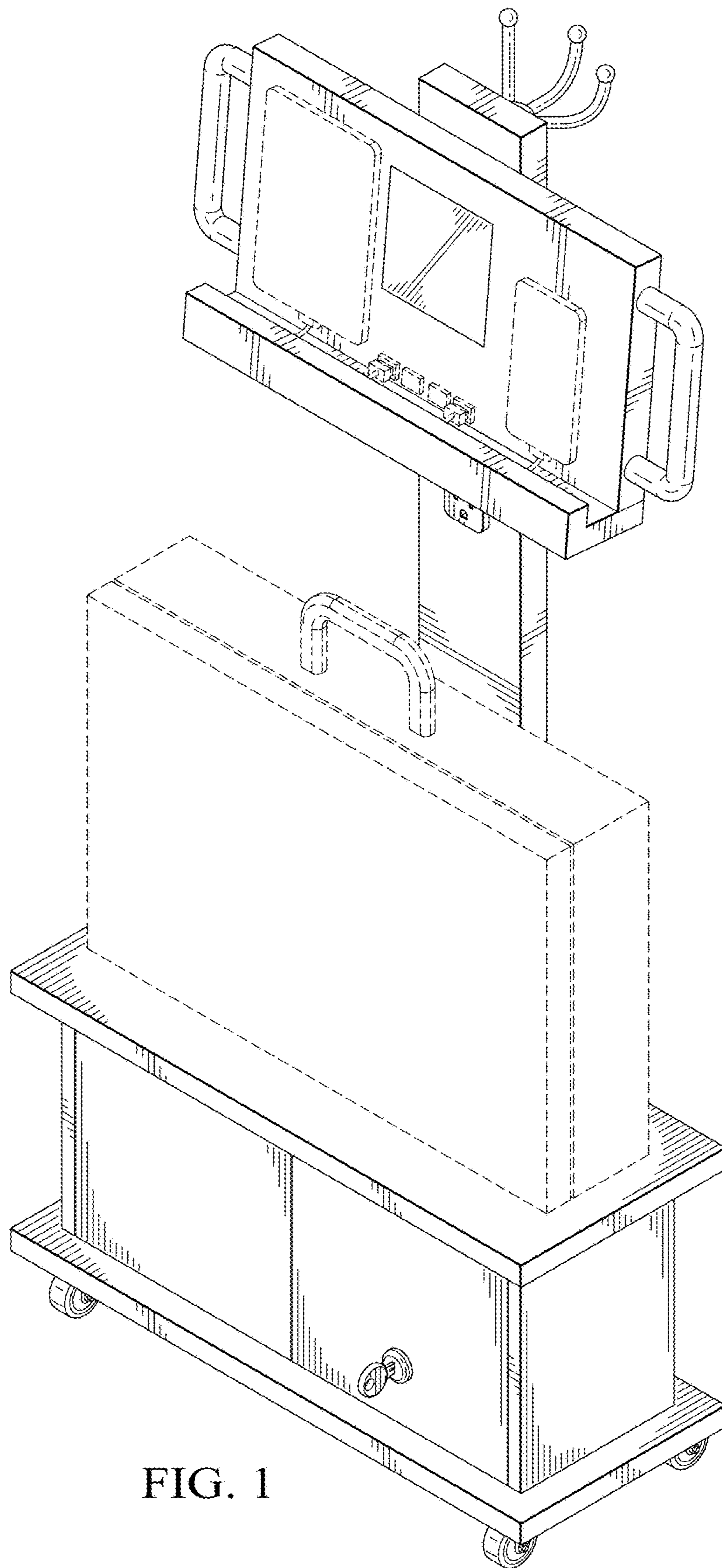


FIG. 1

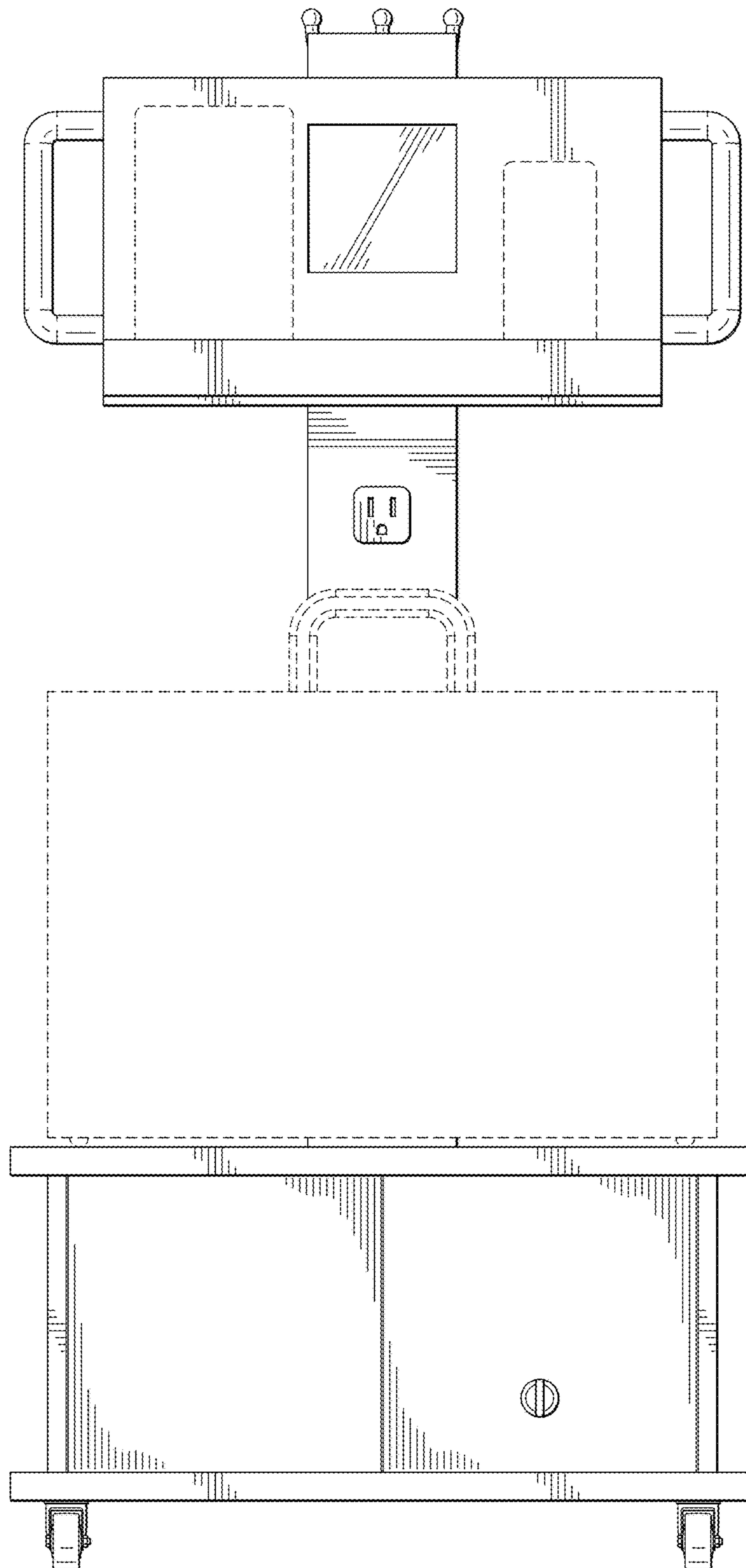


FIG. 2



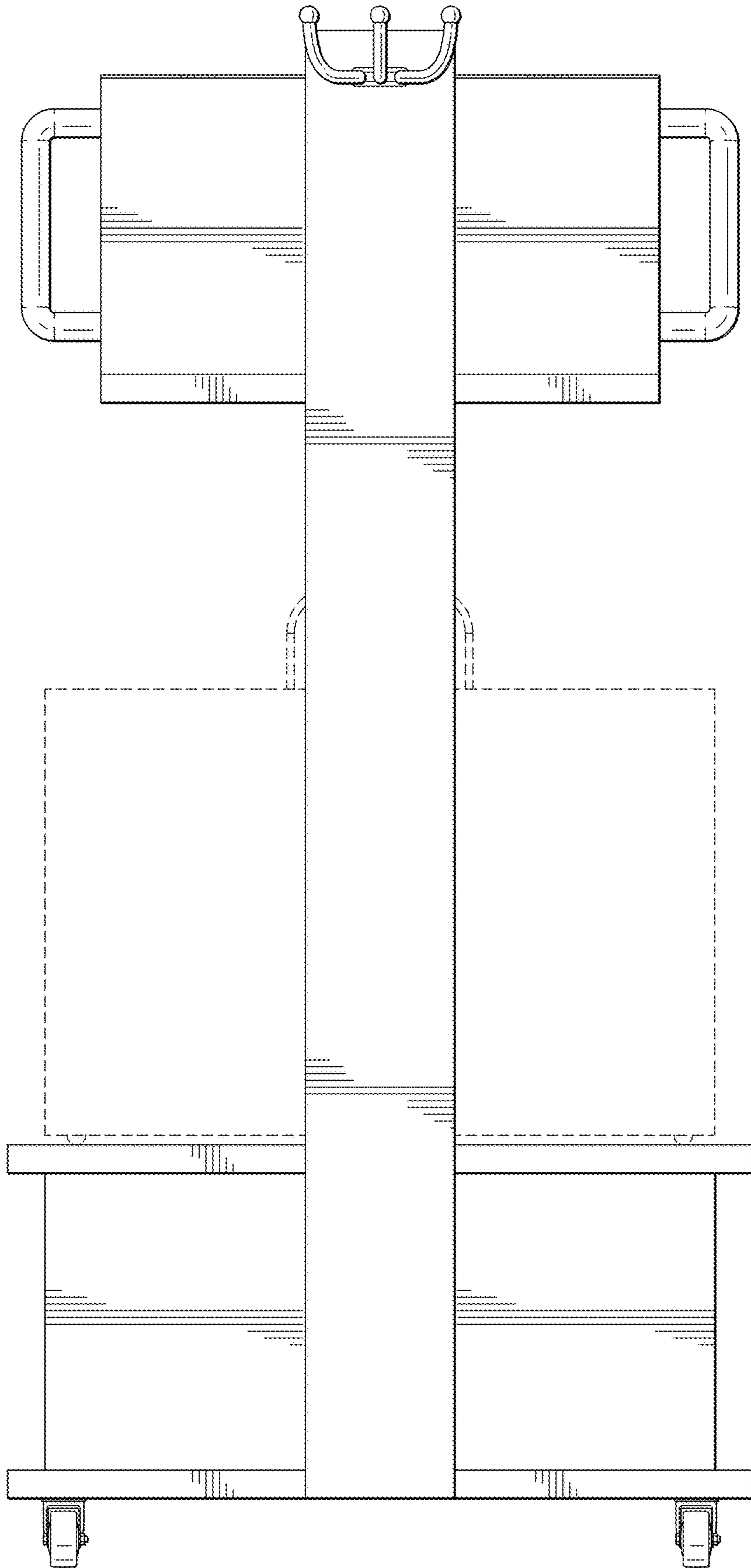


FIG. 3

FIG. 4

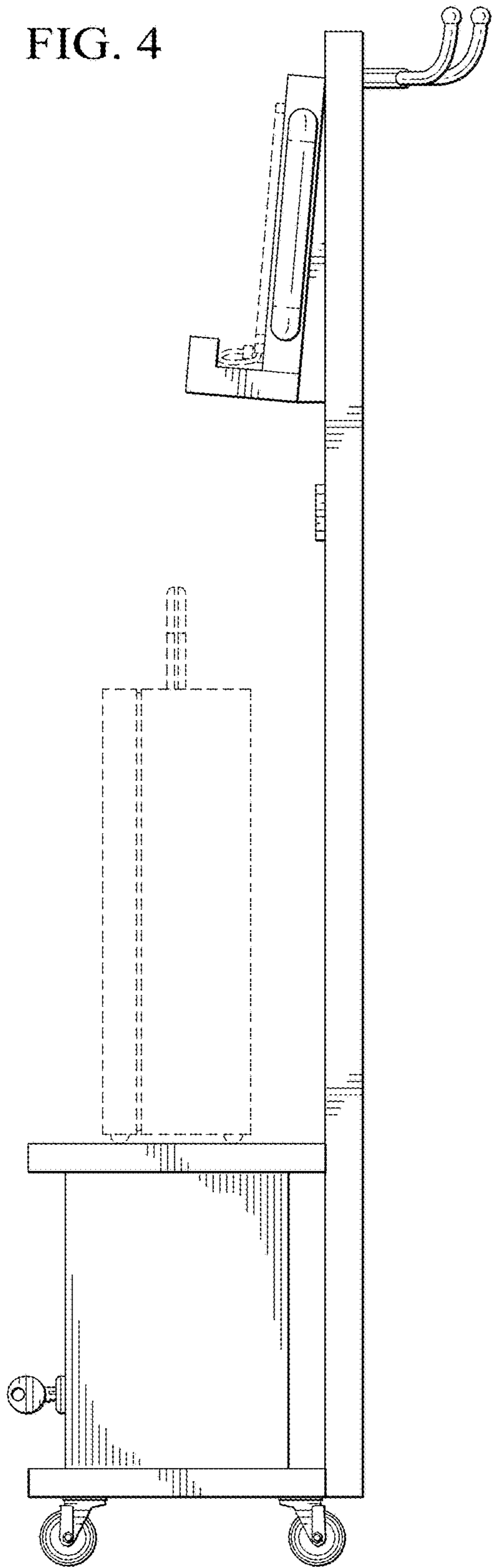


FIG. 5

