



US00D802335S

(12) **United States Design Patent** (10) **Patent No.:** **US D802,335 S**
Yang (45) **Date of Patent:** **** Nov. 14, 2017**

(54) **PUMPKIN SHAPED PILLOW**
(71) Applicant: **Jingang Yang**, Sichuan (CN)
(72) Inventor: **Jingang Yang**, Sichuan (CN)
(**) Term: **15 Years**
(21) Appl. No.: **29/586,293**
(22) Filed: **Dec. 2, 2016**
(30) **Foreign Application Priority Data**
Nov. 10, 2016 (CN) 2016 3 0546744
(51) **LOC (10) Cl.** **06-09**
(52) **U.S. Cl.**
USPC **D6/601**
(58) **Field of Classification Search**
USPC D6/333, 349, 355, 375, 388, 512, 563,
D6/564, 595, 596, 601, 604, 611, 707,
D6/715, 716, 716.1; D24/183-185, 234;
D21/803, 804, 805, 809; 5/401, 420,
5/600, 630, 631, 632, 633, 635, 636, 638,
5/639, 646, 652, 652.1, 655, 703, 730;
297/1, 2, 4, 93, 180.11, 195.1, 195.11,
297/195.13, 393, 397, 452.12, 452.14,
297/452.15, 452.21, 452.24, 452.26,
297/452.48, 452.62, 482
CPC A47G 9/10; A47G 9/1009; A47G 9/1027;
A47G 9/1045; A47G 9/1063; A47G
9/1072; A47G 9/1081
See application file for complete search history.

(56) **References Cited**
U.S. PATENT DOCUMENTS
D416,428 S * 11/1999 Jackson 5/644
D540,096 S * 4/2007 Fuksas D6/601
7,373,678 B2 * 5/2008 Hetzel A47C 7/022
29/91.1
D634,147 S * 3/2011 Joffe D6/601

D642,846 S * 8/2011 Parish D6/601
D646,066 S * 10/2011 Debevec D6/333
D681,998 S * 5/2013 Rowe D6/601
D693,141 S * 11/2013 Wootten, Jr. D6/601
D698,586 S * 2/2014 Davis D6/601
8,671,482 B2 * 3/2014 Willingham A47C 3/12
297/258.1
D702,459 S * 4/2014 Scarlett D6/601
D711,173 S * 8/2014 Liao D6/349
D711,675 S * 8/2014 Sato D6/349
D715,579 S * 10/2014 Scarlett D6/601
D731,208 S * 6/2015 Fux D6/601
D747,613 S * 1/2016 Scarlett D6/601
D754,990 S * 5/2016 Velasquez D6/601
D755,543 S * 5/2016 Upadhyay D6/601
D790,238 S * 6/2017 Little D6/349
D790,255 S * 6/2017 Mi D6/601
D791,510 S * 7/2017 Renna D6/601
2010/0314929 A1 * 12/2010 Hsu A47C 7/022
297/452.48
2012/0017374 A1 * 1/2012 Hunter A47G 9/10
5/638

(Continued)

Primary Examiner — Eric L Goodman
Assistant Examiner — Sanjeev Paul

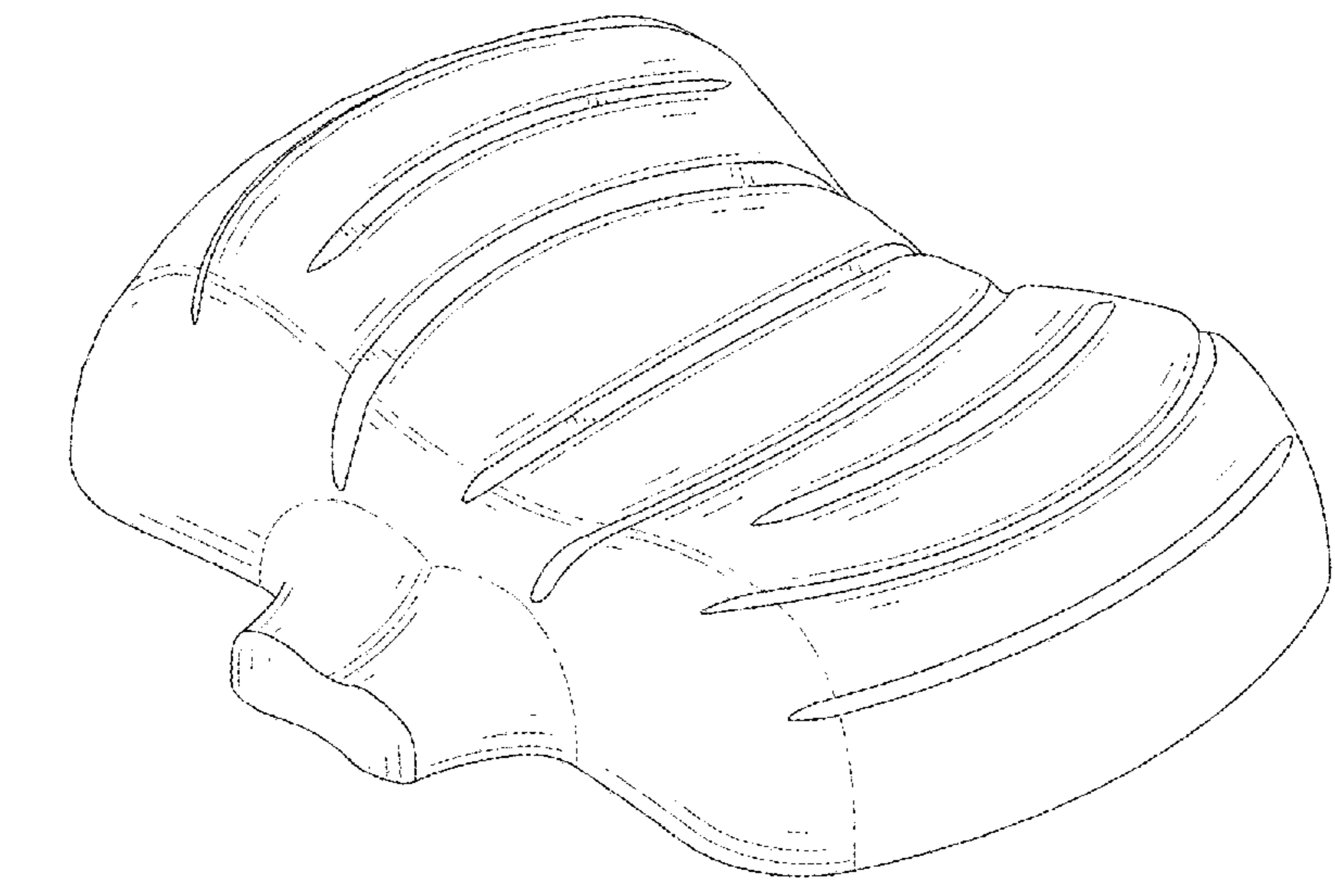
(57) **CLAIM**

The ornamental design for a pumpkin shaped pillow, as shown.

DESCRIPTION

FIG. 1 is a front elevational view of a pumpkin shaped pillow showing my new design;
FIG. 2 is a rear elevational view thereof;
FIG. 3 is a left side view thereof;
FIG. 4 is a right side view thereof;
FIG. 5 is a top plan view thereof;
FIG. 6 is a bottom plan view thereof; and,
FIG. 7 is a perspective view thereof.

1 Claim, 4 Drawing Sheets



(56)

References Cited

U.S. PATENT DOCUMENTS

2013/0198961 A1* 8/2013 Davis A47C 7/62
5/648
2015/0097401 A1* 4/2015 Toll B62J 1/007
297/214
2017/0156958 A1* 6/2017 Roh A47G 9/1081
2017/0188710 A1* 7/2017 Sternlight A47C 7/383

* cited by examiner

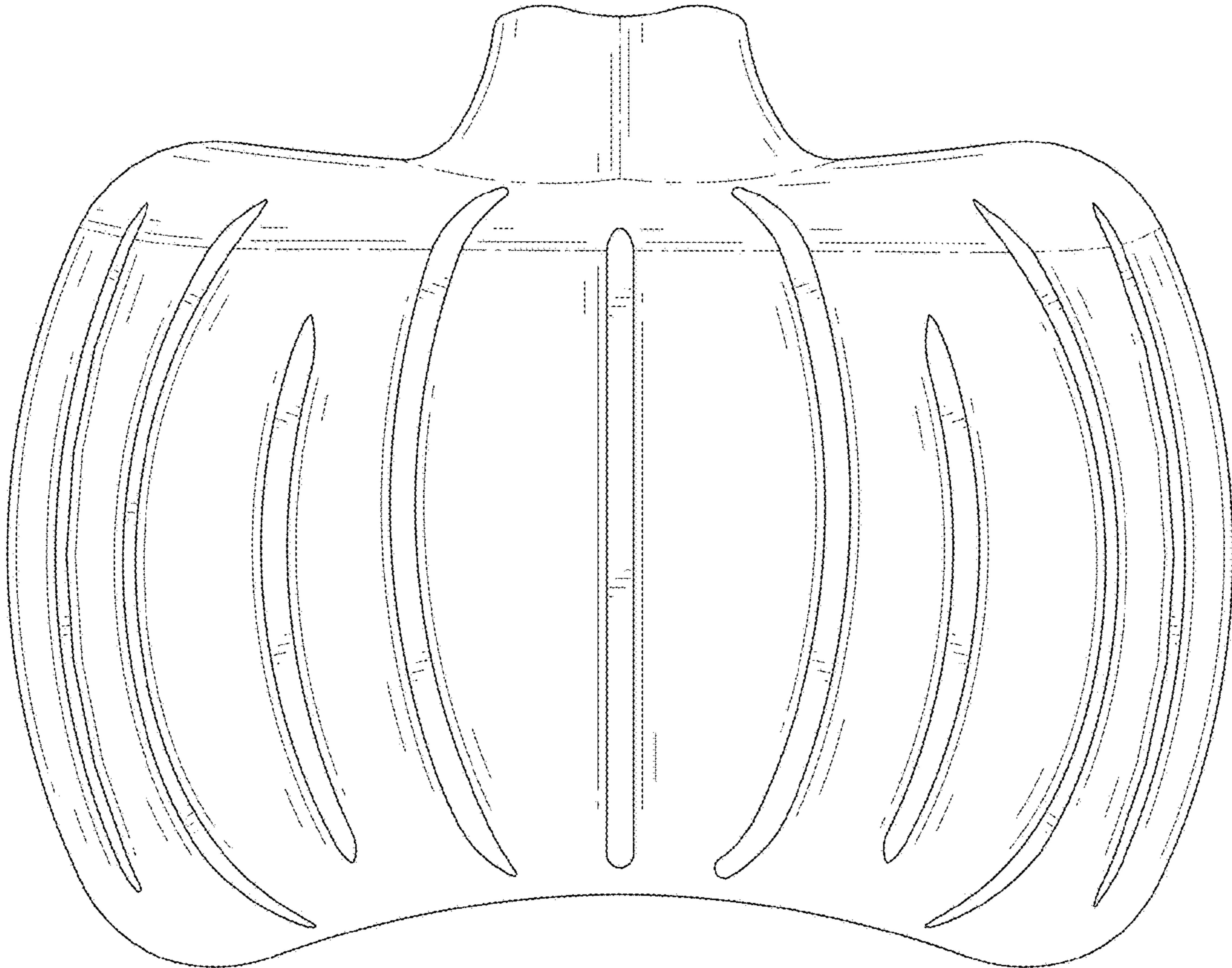


FIG. 1

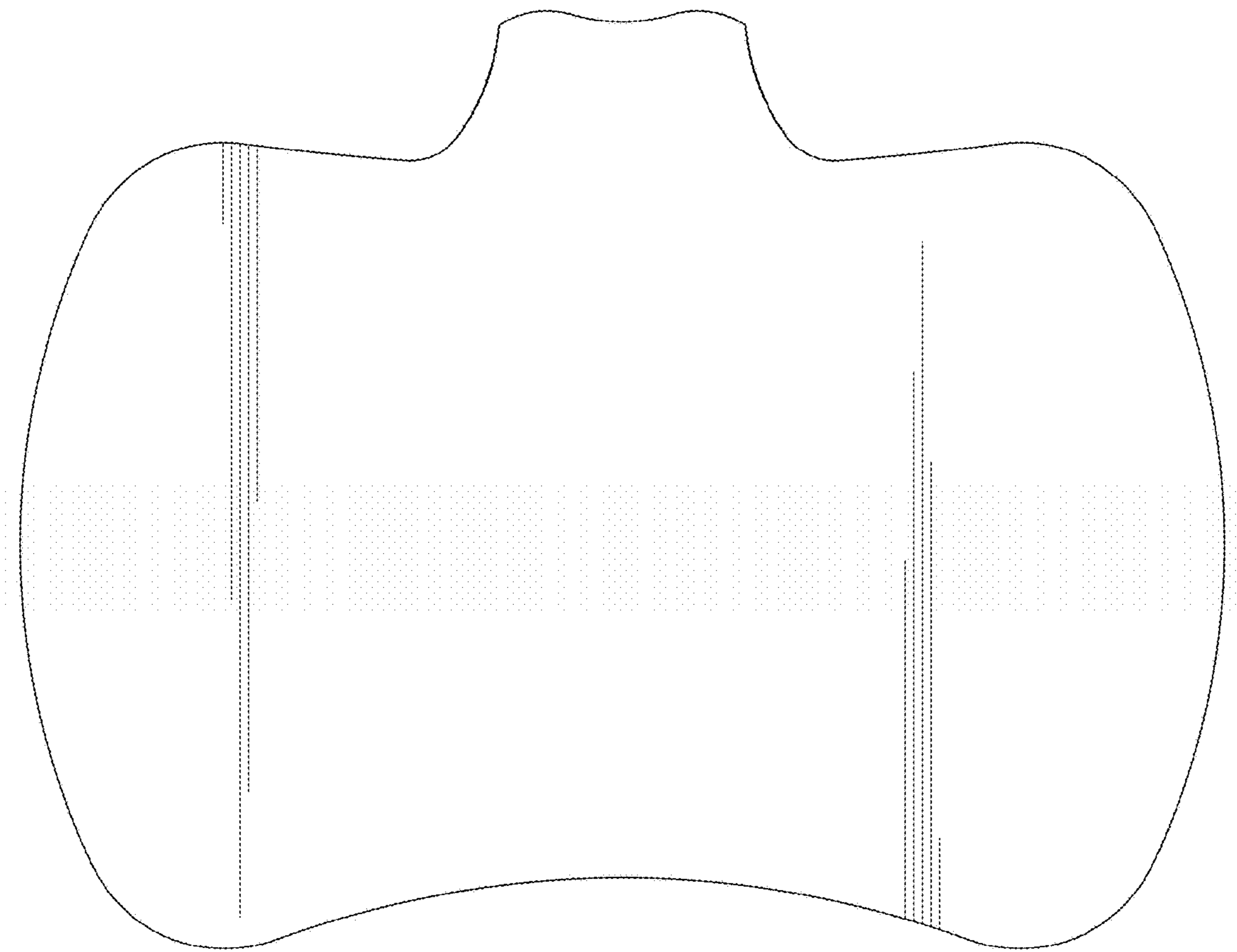


FIG. 2

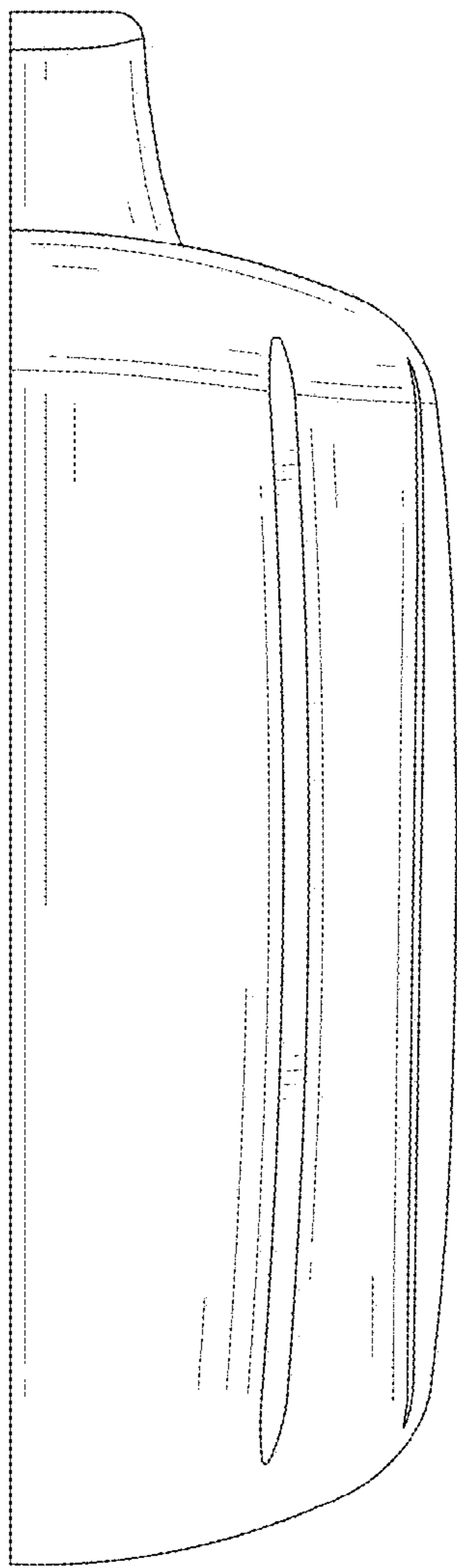


FIG. 3

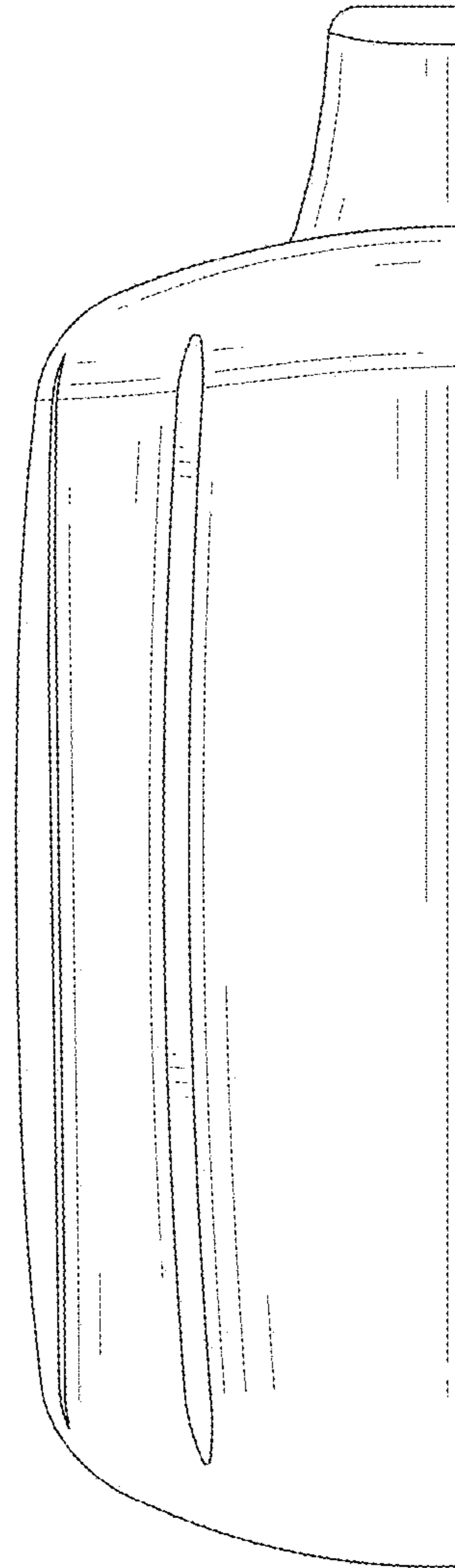


FIG. 4

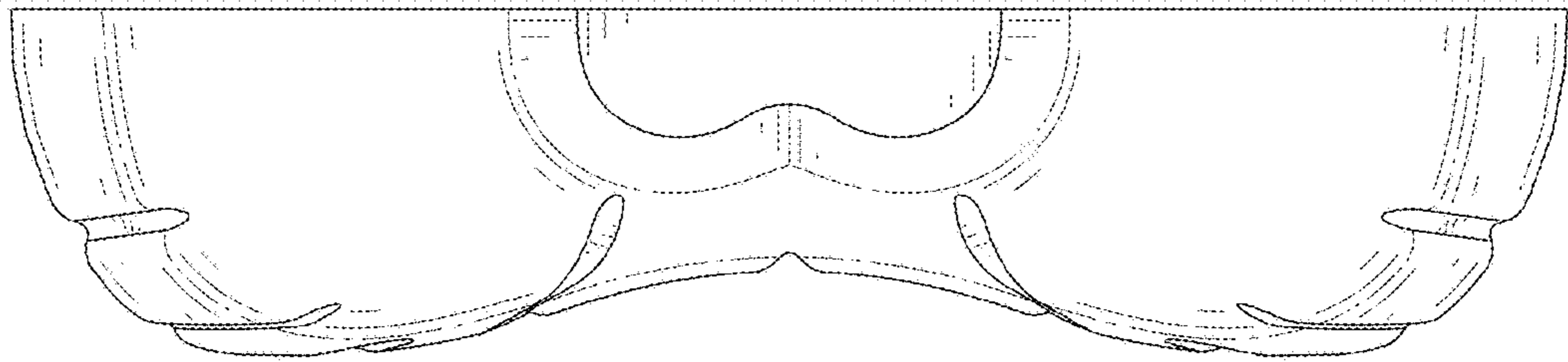


FIG. 5

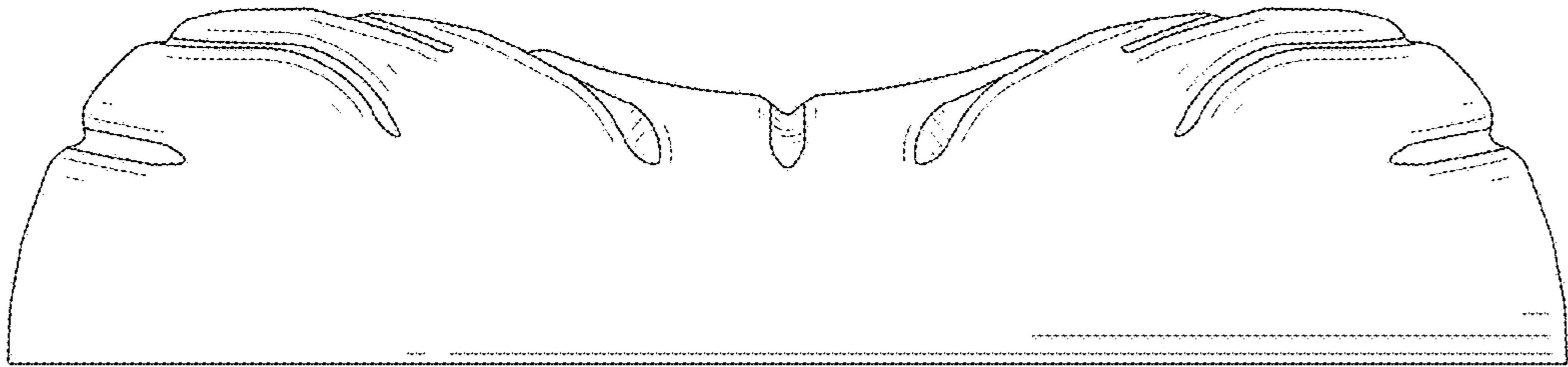


FIG. 6

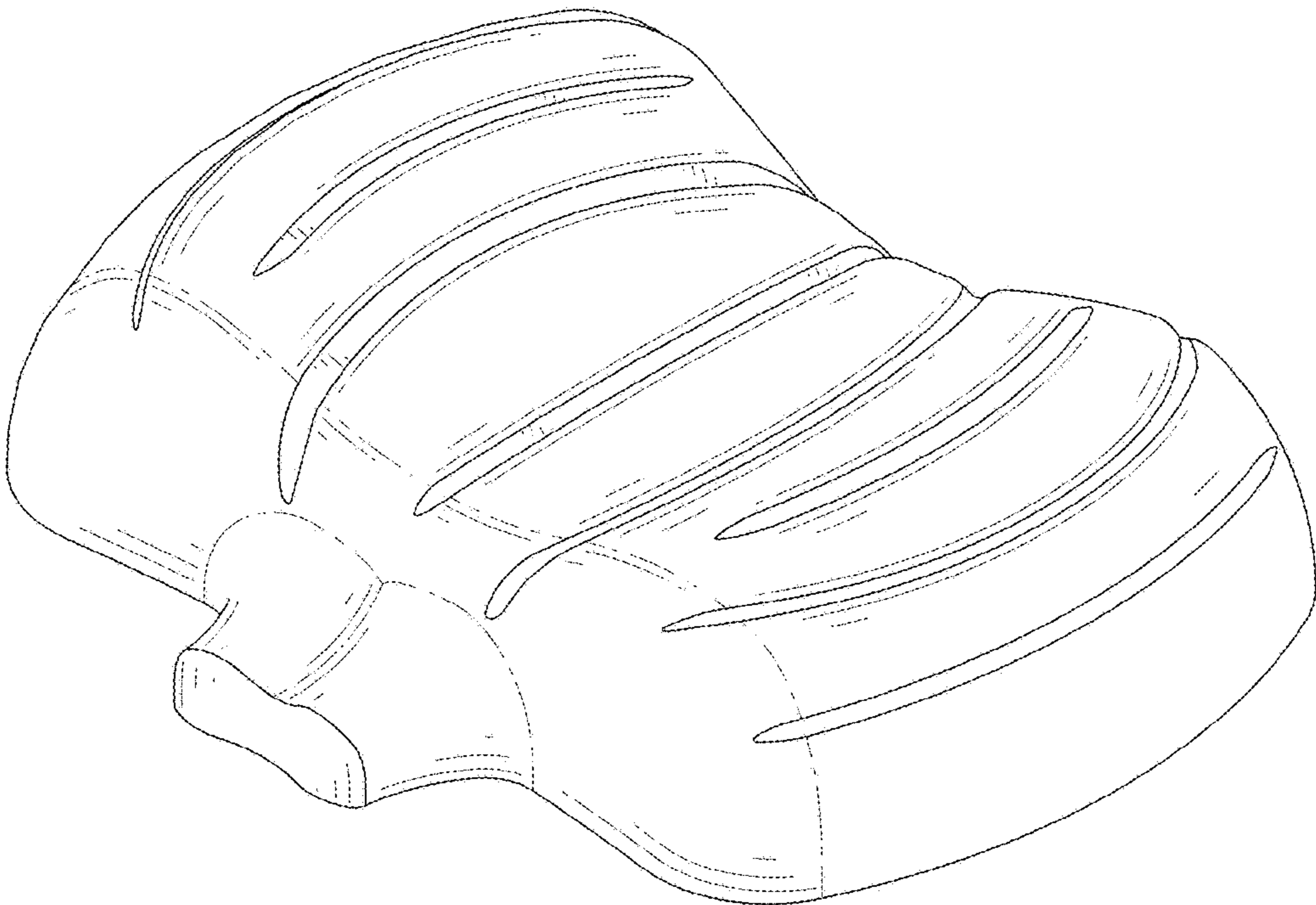


FIG. 7