



US00D802333S

(12) **United States Design Patent** (10) **Patent No.:** **US D802,333 S**
Kuroiwa et al. (45) **Date of Patent:** **** Nov. 14, 2017**

(54) **VENETIAN BLIND**

(71) Applicant: **TACHIKAWA CORPORATION**,
Tokyo (JP)

(72) Inventors: **Shuichi Kuroiwa**, Tokyo (JP);
Yoshihiro Takayama, Tokyo (JP)

(73) Assignee: **Tachikawa Corporation**, Tokyo (JP)

(**) Term: **15 Years**

(21) Appl. No.: **35/500,501**

(22) Filed: **Jul. 16, 2015**

(80) **Hague Agreement Data**
 Int. Filing Date: **Jul. 16, 2015**
 Int. Reg. No.: **DM/087012**
 Int. Reg. Date: **Jul. 16, 2015**
 Int. Reg. Pub. Date: **Jan. 22, 2016**

(30) **Foreign Application Priority Data**
 Jan. 19, 2015 (JP) 2015-000841
 Jan. 23, 2015 (JP) 2015-001233

(51) **LOC (10) Cl.** **06-10**

(52) **U.S. Cl.**
 USPC **D6/580**

(58) **Field of Classification Search**
 USPC D6/575, 577, 580, 581
 CPC ... E06B 9/00; E06B 9/26; E06B 9/262; E06B
 9/00384; E06B 9/00386; E06B 9/388;
 E06B 2009/2622; E06B 9/303
 See application file for complete search history.

(56) **References Cited**
 U.S. PATENT DOCUMENTS

2,872,975 A * 2/1959 Walker E06B 9/384
 160/173 R

4,625,868 A * 12/1986 Bischof E06B 9/386
 160/178.1 R

D372,828 S * 8/1996 Sticker 160/115
 5,551,500 A * 9/1996 Allsopp E06B 9/262
 160/84.01

5,850,861 A * 12/1998 Silverberg E06B 9/264
 160/107

D518,988 S * 4/2006 Strand D6/575

(Continued)

Primary Examiner — Mary Ann Calabrese
 (74) *Attorney, Agent, or Firm* — Christensen O'Connor
 Johnson Kindness PLLC

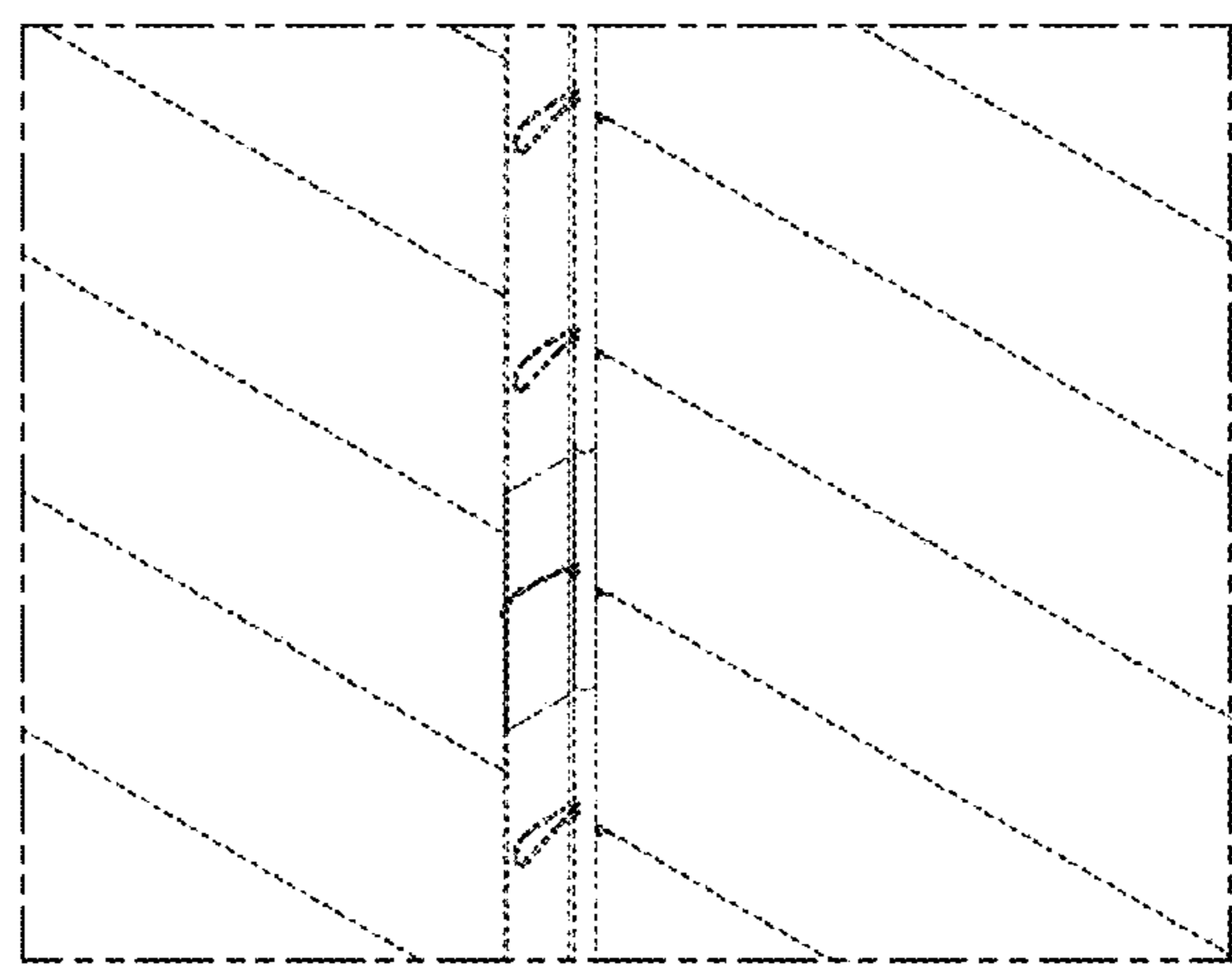
(57) **CLAIM**

The ornamental design for a venetian blind, as shown and described.

DESCRIPTION

1. Venetian blind
 1.1 is a top back left perspective view of a venetian blind showing our new design;
 1.2 is a bottom back right perspective view thereof;
 1.3 is a front view thereof;
 1.4 is a back view thereof;
 1.5 is a top view thereof;
 1.6 is a bottom view thereof;
 1.7 is a right side view thereof;
 1.8 is a left side view thereof;
 1.9 is an enlarged detail view of area 1.9 shown in 1.1;
 1.10 is an enlarged detail view of area 1.10 shown in 1.2;
 1.11 is an enlarged detail view of area 1.11 shown in 1.4;
 1.12 is an enlarged detail view of area 1.12 shown in 1.7; and
 1.13 is an enlarged detail view of area 1.13 shown in 1.8.
 The dash-dash broken lines shown in the drawings illustrate environmental subject matter and form no part of the claimed design. The dash-dot-dash broken lines shown in the drawings illustrate the boundaries of the claim and form no part thereof. The dash-dot-dot-dash broken lines shown in the drawings illustrate the section upon which enlarged detail views are taken and form no part of the claimed design.

1 Claim, 11 Drawing Sheets



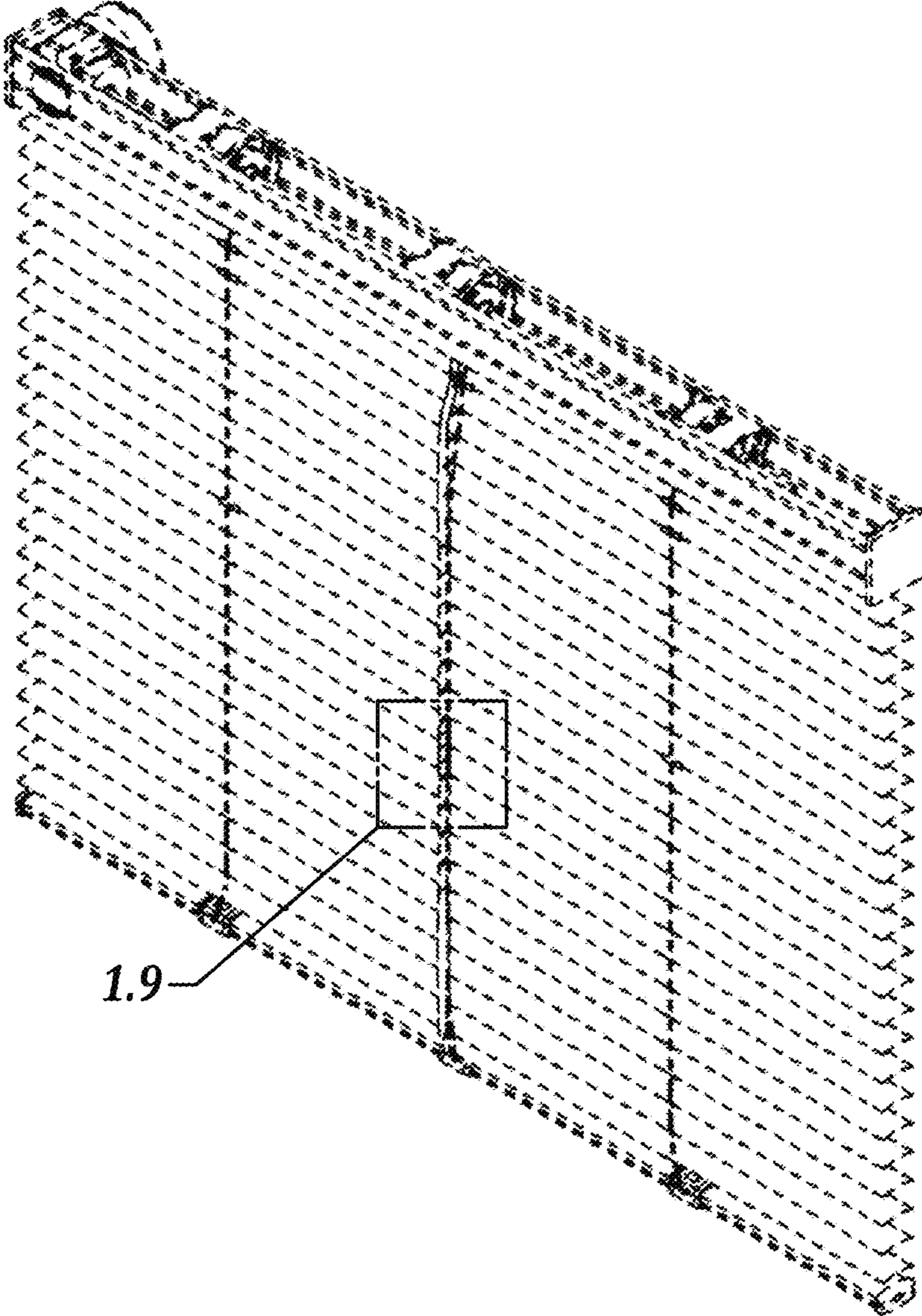
(56)

References Cited

U.S. PATENT DOCUMENTS

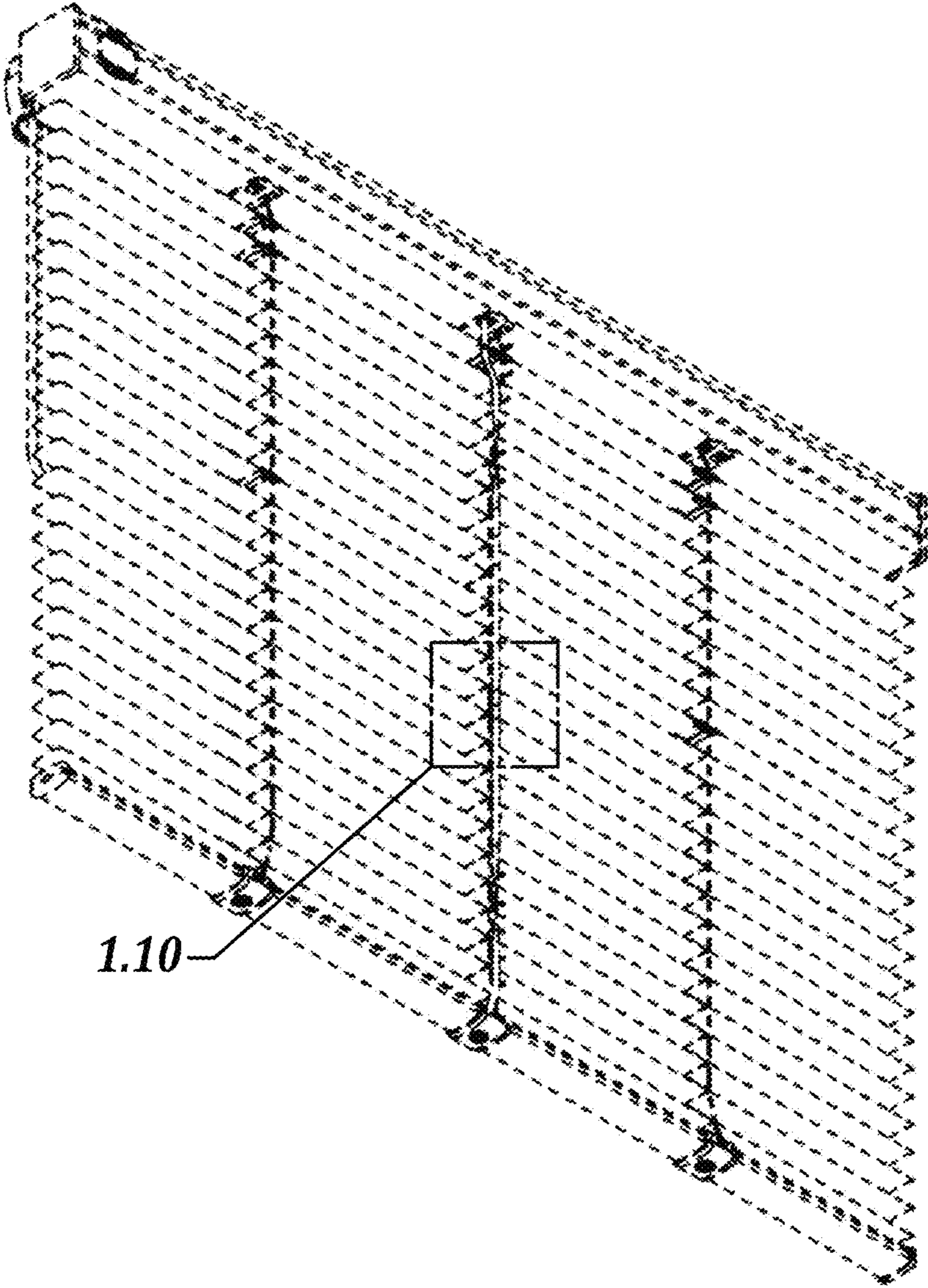
7,055,572 B2 *	6/2006	Nien	E06B 9/303 139/384 A
D564,821 S *	3/2008	Yu	D6/575
D739,159 S *	9/2015	Lin	D6/577
D759,399 S *	6/2016	Tachikawa	D6/580
2012/0125544 A1 *	5/2012	Cannaverde	E06B 9/262 160/84.02
2012/0234506 A1 *	9/2012	Defenbaugh	E06B 9/303 160/168.1 R

* cited by examiner



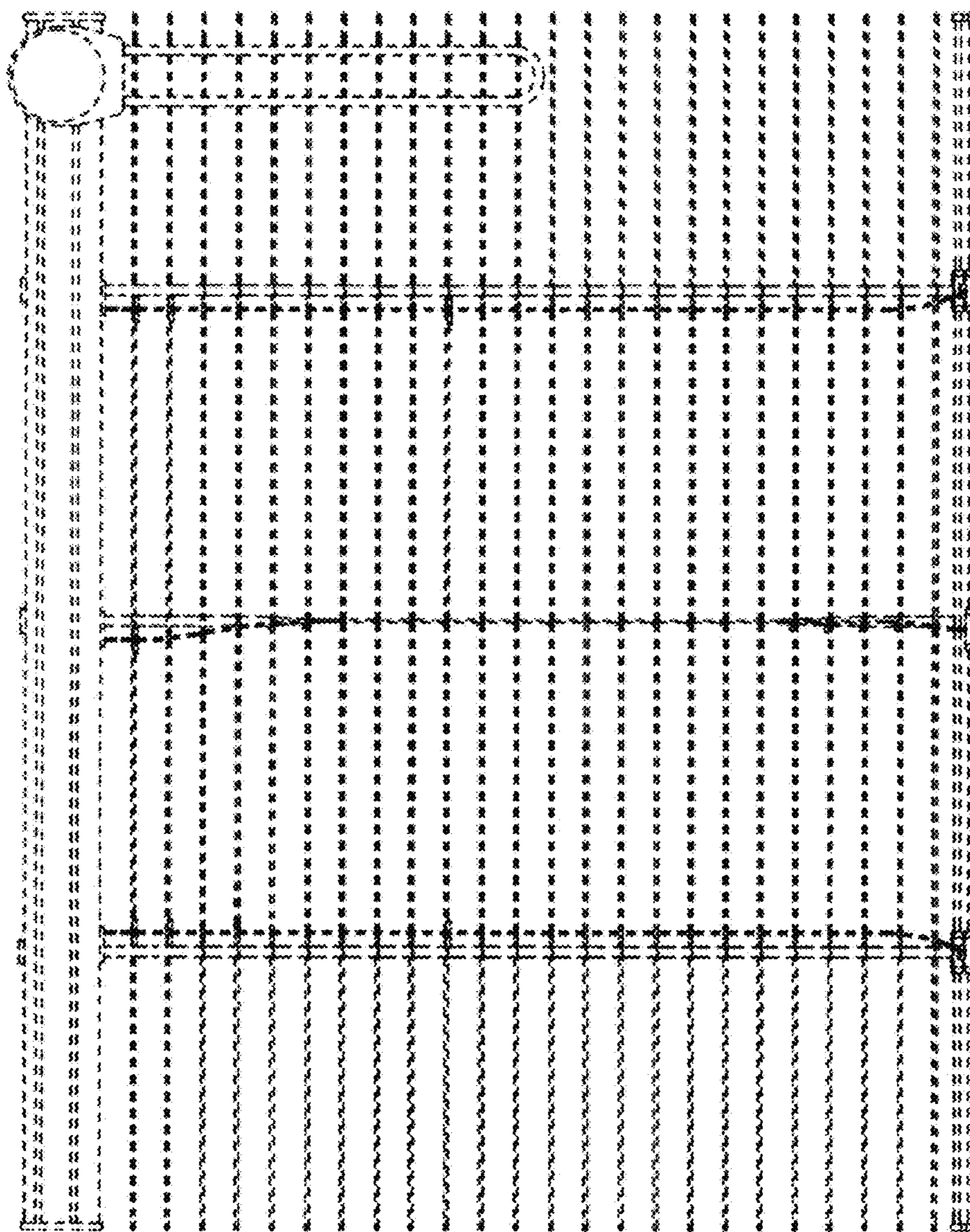
1.9

1.1

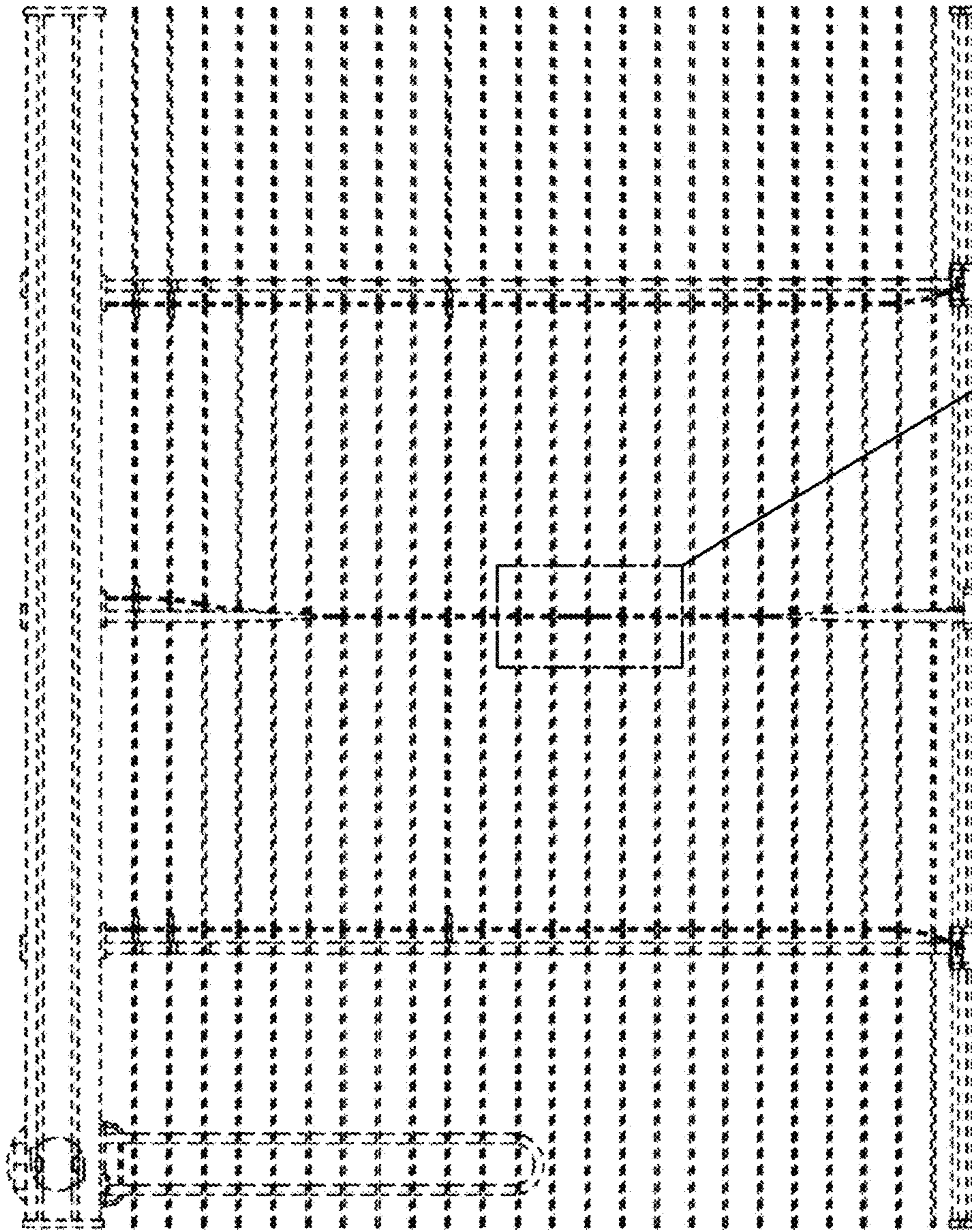


1.10

1.2



1.3



1.11

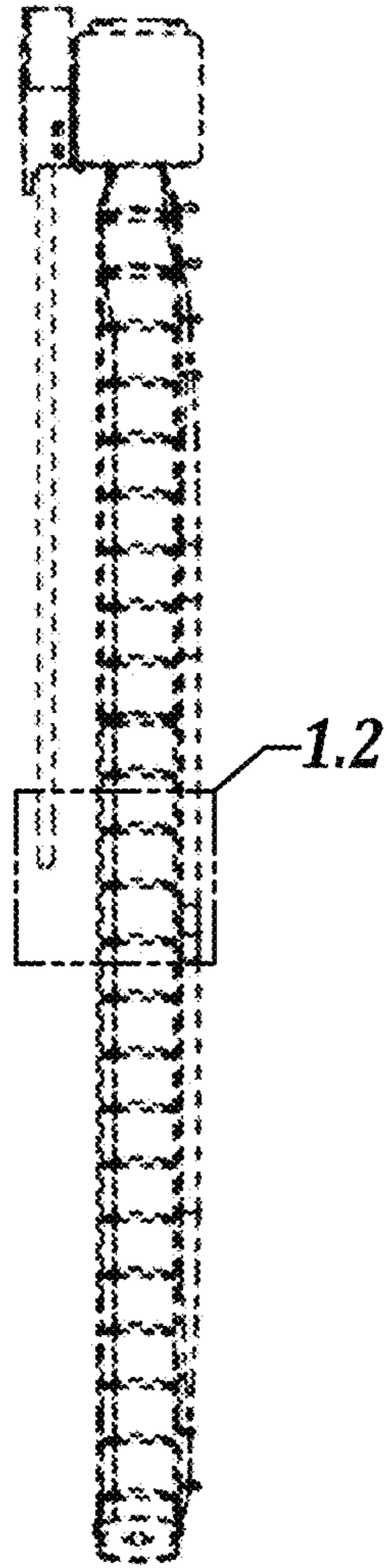
1.4



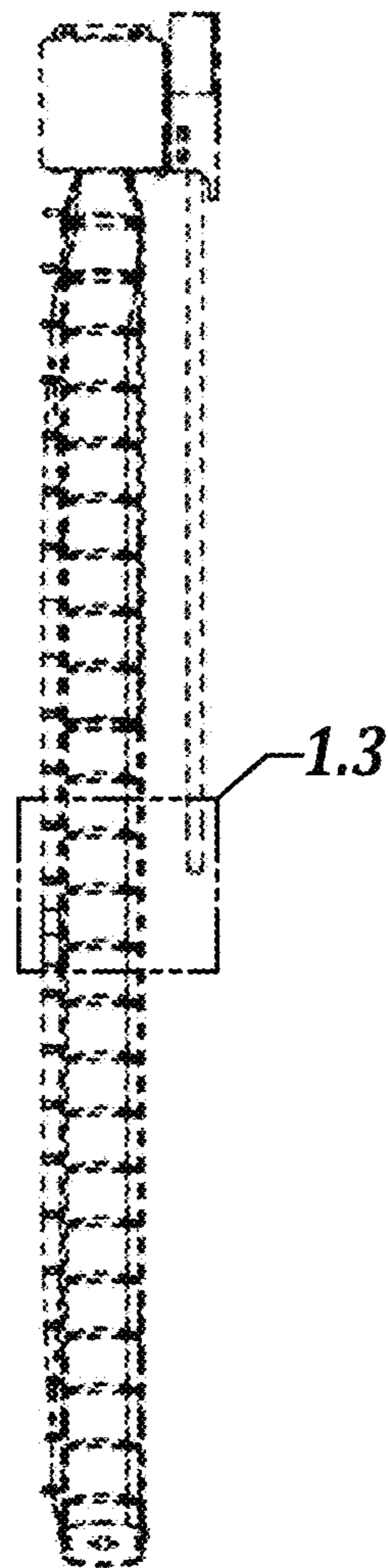
1.5



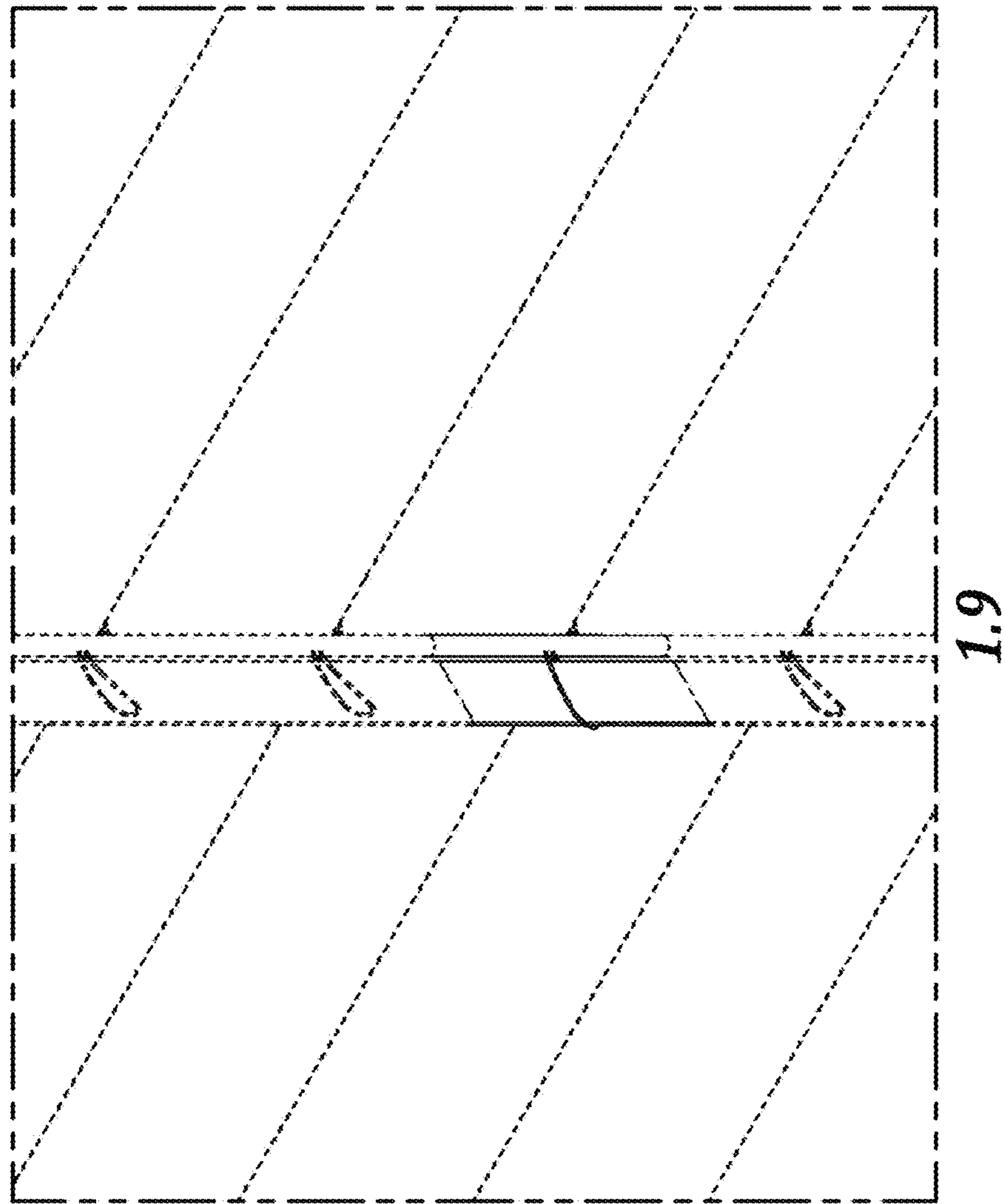
1.6

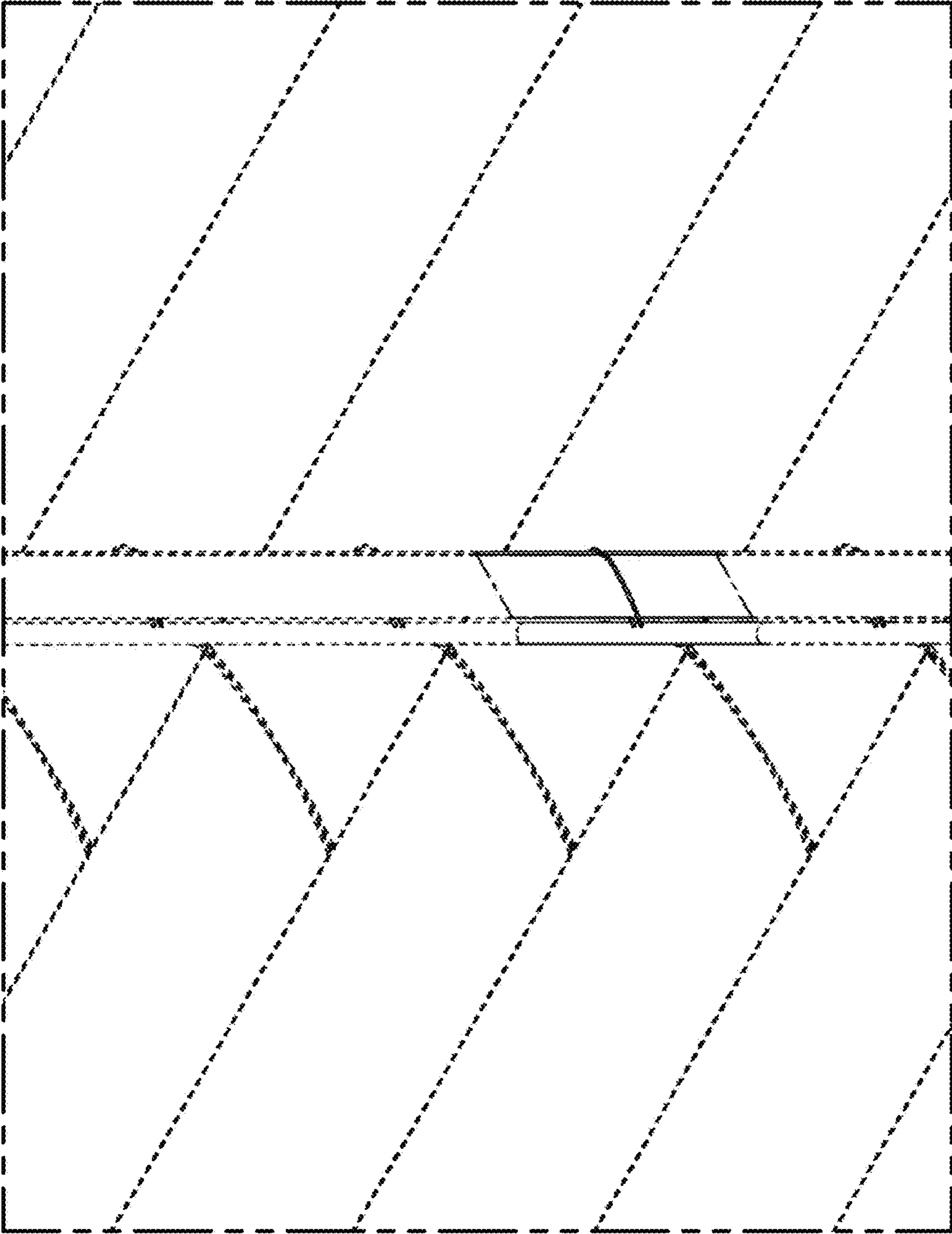


1.7

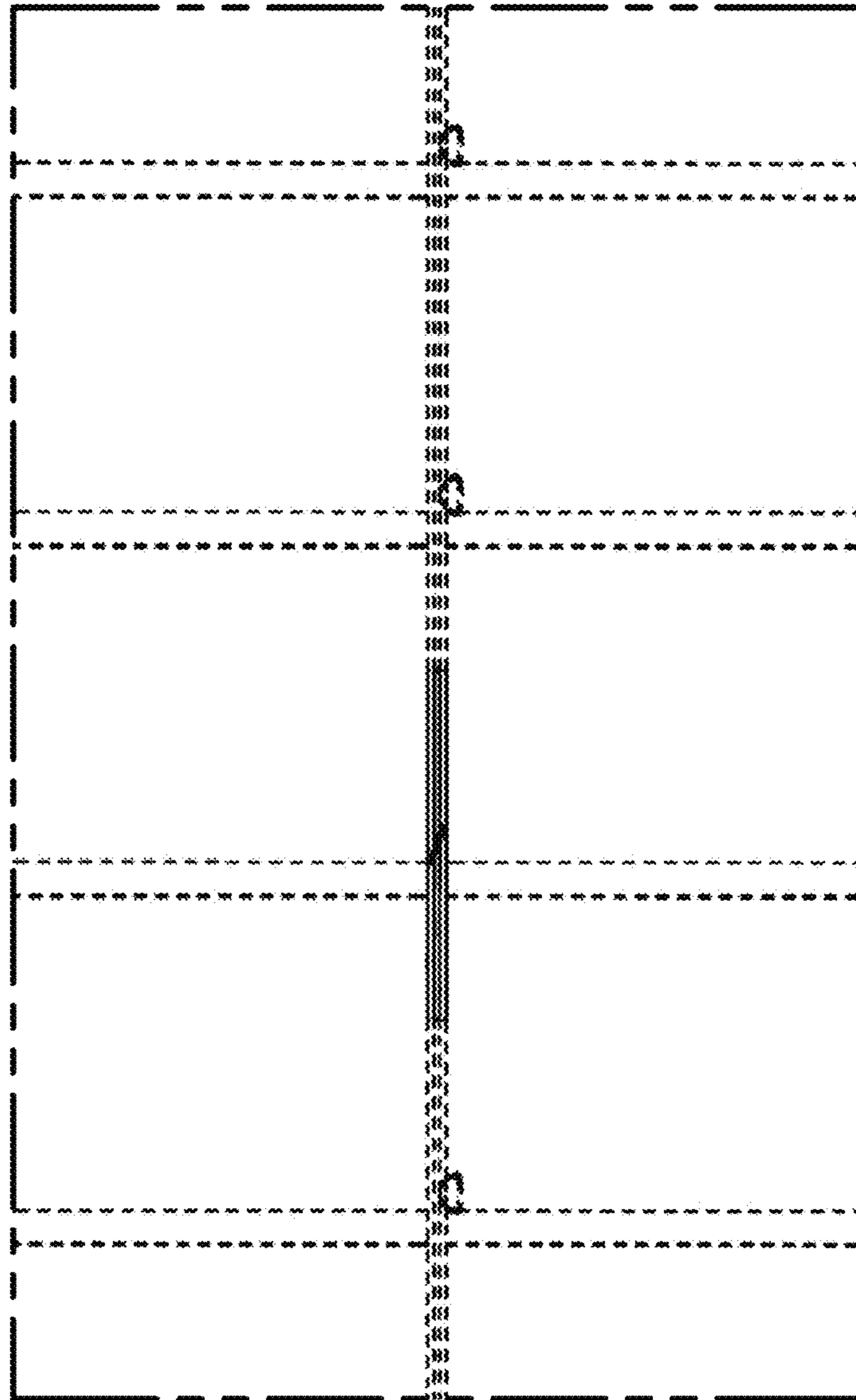


1.8

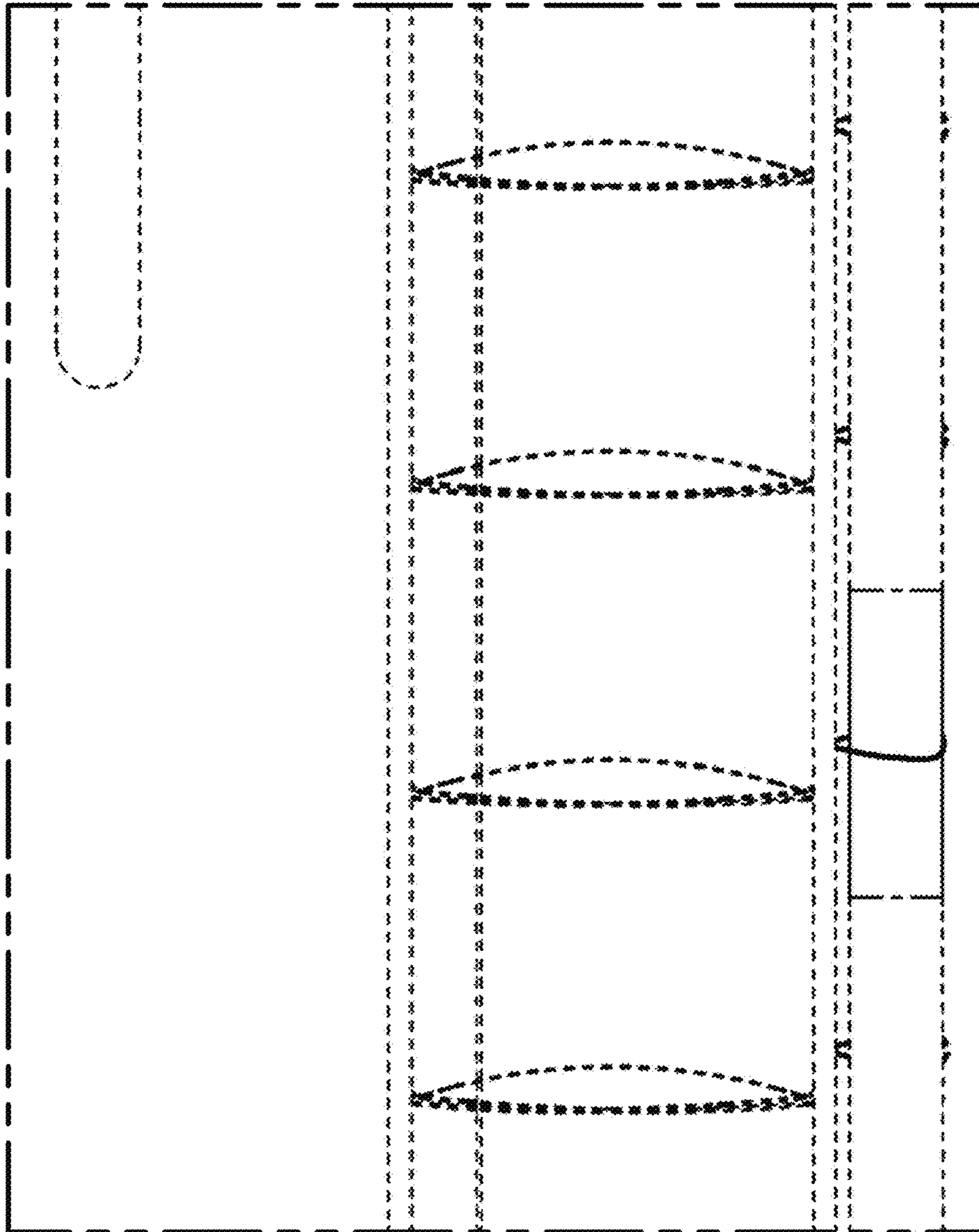




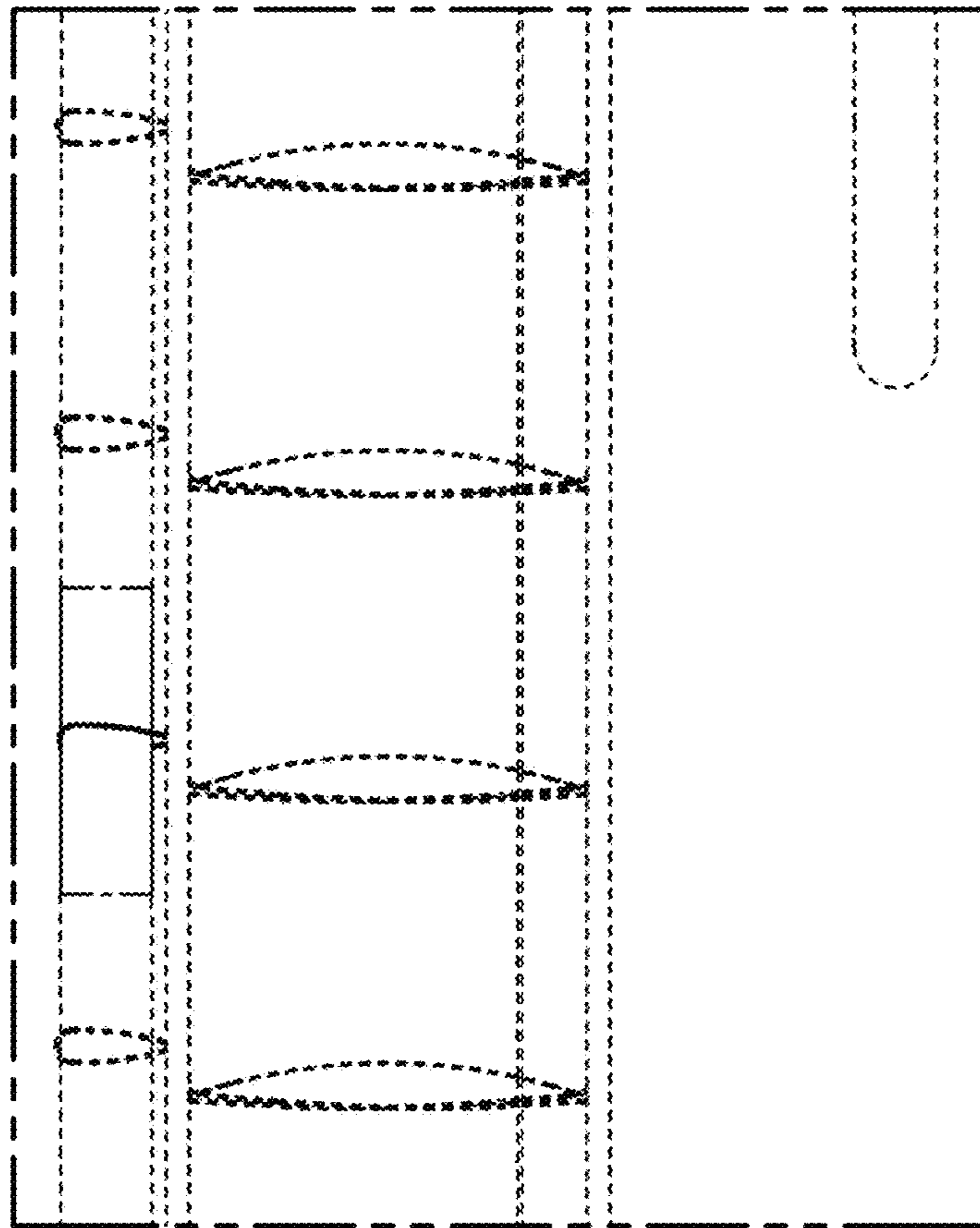
1.10



1.11



1.12



1.13