



US00D802331S

(12) **United States Design Patent**
Harihar

(10) **Patent No.:** **US D802,331 S**

(45) **Date of Patent:** **** Nov. 14, 2017**

(54) **HERB HOLDER**

(71) Applicant: **Chandmany Harihar**, Haworth, NJ
(US)

(72) Inventor: **Chandmany Harihar**, Haworth, NJ
(US)

(**) Term: **15 Years**

(21) Appl. No.: **29/583,606**

(22) Filed: **Nov. 7, 2016**

Related U.S. Application Data

(62) Division of application No. 29/514,915, filed on Jan. 17, 2015, now Pat. No. Des. 770,802.

(51) **LOC (10) Cl.** **06-06**

(52) **U.S. Cl.**
USPC **D6/558**

(58) **Field of Classification Search**
USPC D8/16, 19, 375, 374, 381, 382, 380, 318,
D8/373, 377, 363, 364, 358, 384, 376,
D8/385, 336, 388, 389, 355, 394, 356,
D8/396; D3/205; D6/525, 535, 546,
D6/705.6, 514, 553, 556, 565, 566, 558,
D6/675.2, 675.5, 677.2, 677.5, 680.3
CPC B25H 3/04; A47F 7/0021; A47B 81/007;
A47B 96/063

See application file for complete search history.

(56) **References Cited**

U.S. PATENT DOCUMENTS

D272,702 S * 2/1984 Kingsley, Jr. D8/371
D289,972 S * 5/1987 Fogelman D8/367

D327,641 S * 7/1992 Hoskinson D8/367
D382,464 S * 8/1997 McCoy D8/373
D385,481 S * 10/1997 Klein D8/373
D541,139 S * 4/2007 Jackson D8/367
D742,728 S * 11/2015 Ostler D8/373
D746,127 S * 12/2015 Cohen D8/367

* cited by examiner

Primary Examiner — Robert M Spear
Assistant Examiner — Eliza Bennett-Hattan

(57) **CLAIM**

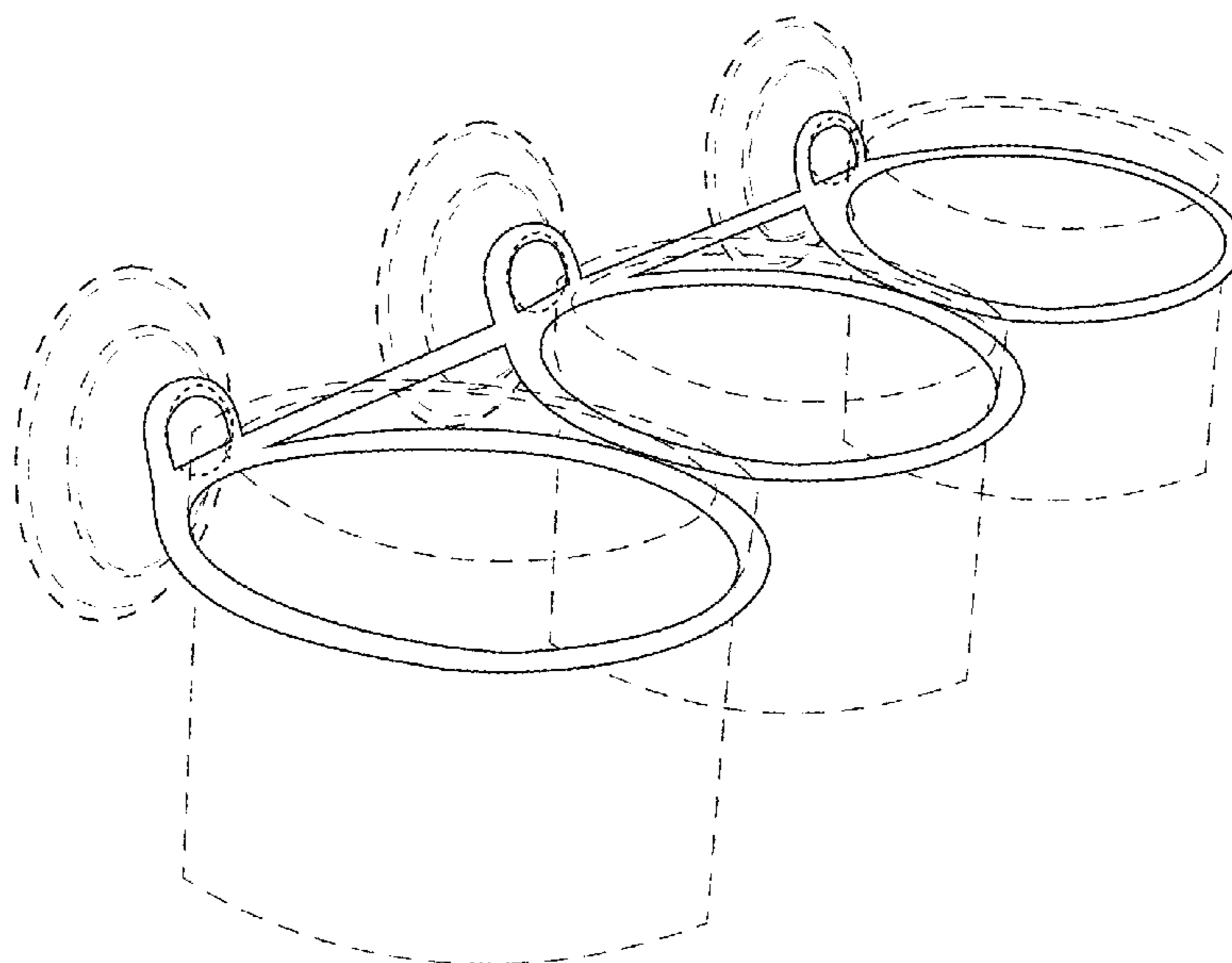
The ornamental design for an herb holder, as shown and described.

DESCRIPTION

FIG. 1 is a front, top, left side perspective view of the herb holder of the new design;
FIG. 2 is a front view thereof;
FIG. 3 is a front, top, left side perspective view;
FIG. 4 is a front view thereof;
FIG. 5 is a front, top perspective view thereof;
FIG. 6 is a top view thereof;
FIG. 7 is a bottom view thereof;
FIG. 8 is a left side view thereof, the right side being a mirror image; and,
FIG. 9 is a rear view thereof.

The broken lines showing structural elements in the drawings are included for the purpose of illustrating non-claimed subject matter, and form no part of the claimed design.

1 Claim, 5 Drawing Sheets



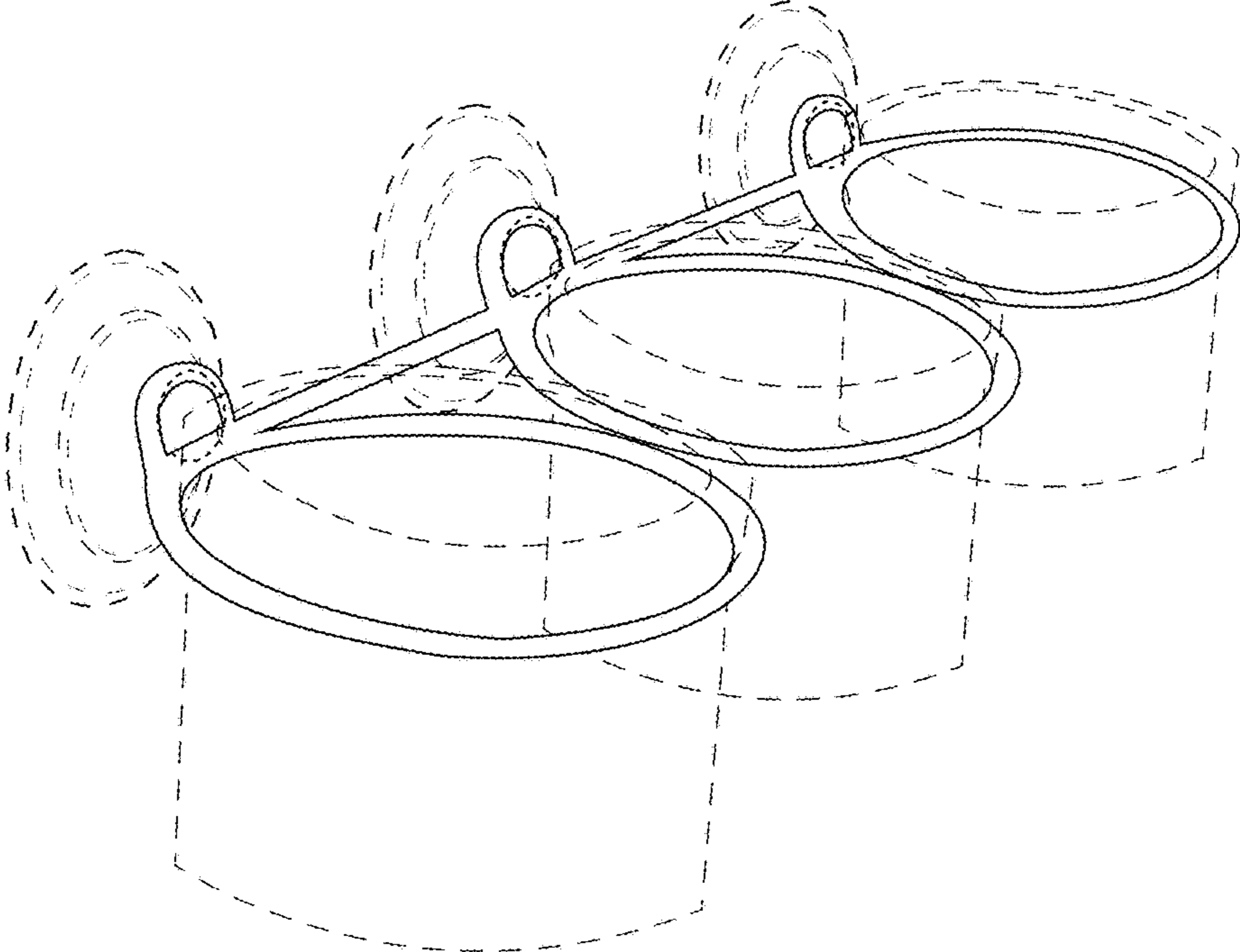


Fig. 1

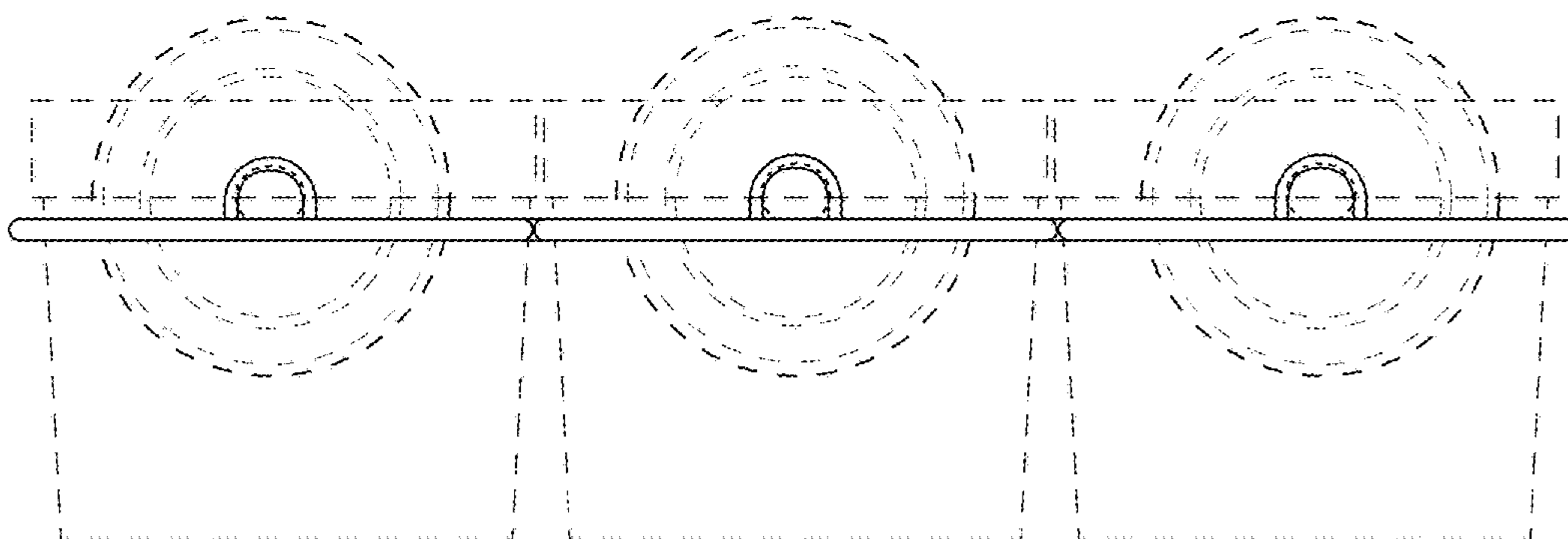


Fig. 2

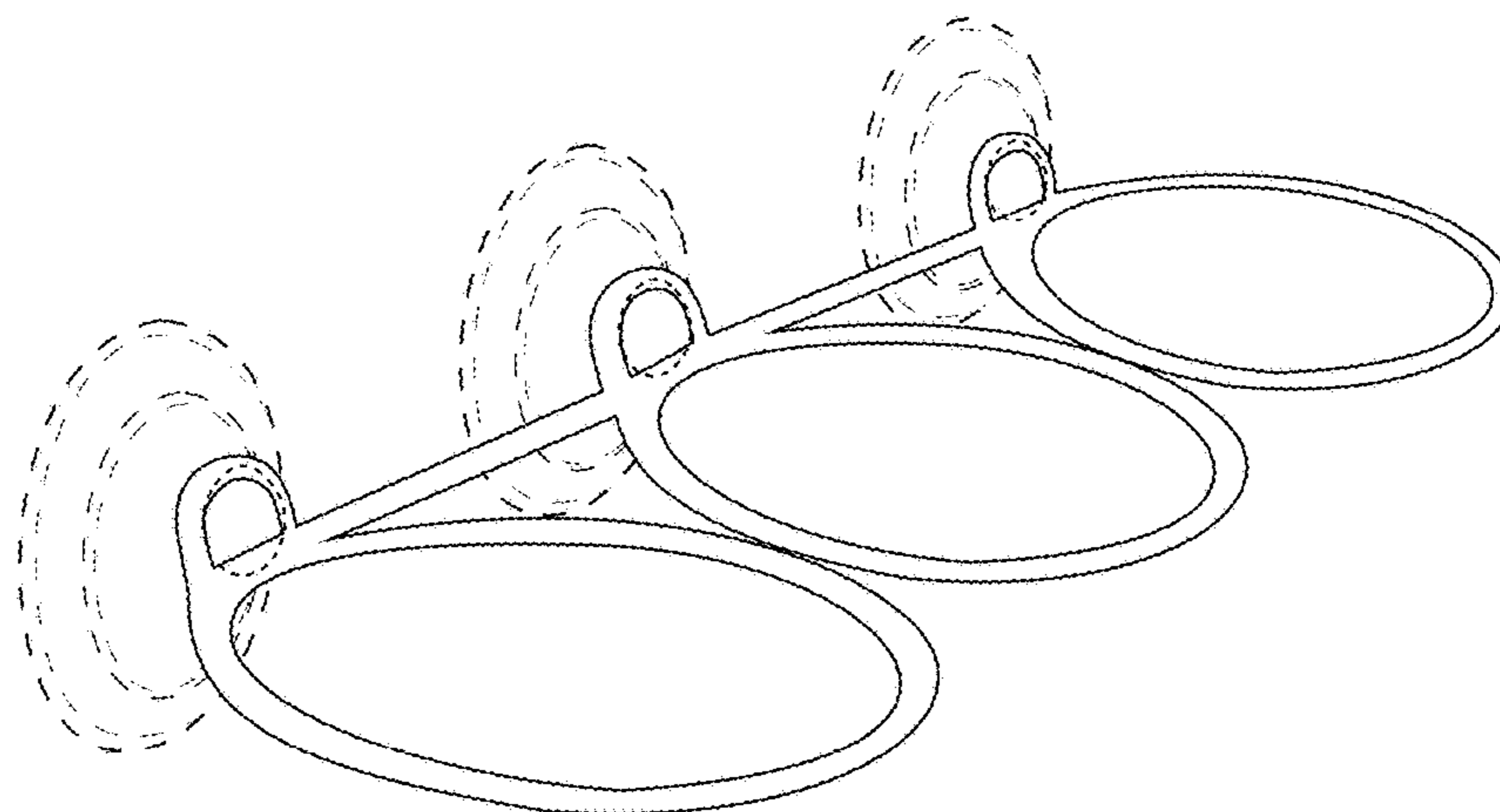


Fig. 3



Fig. 4

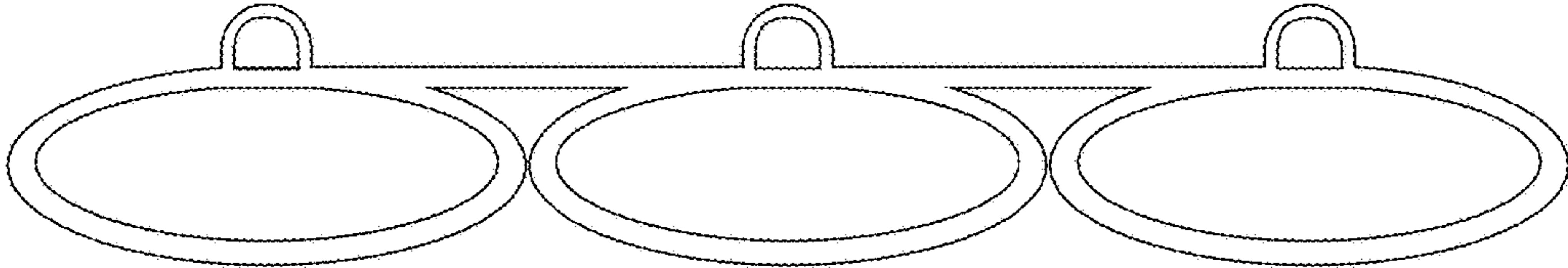


Fig. 5

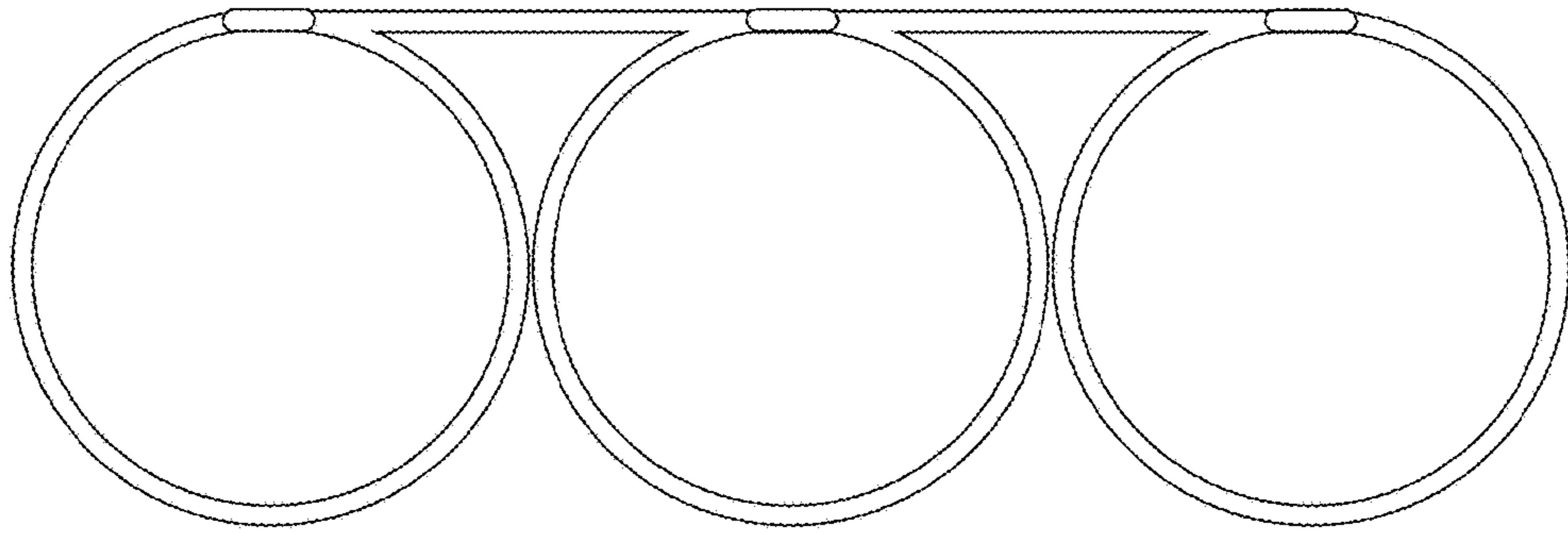


Fig. 6

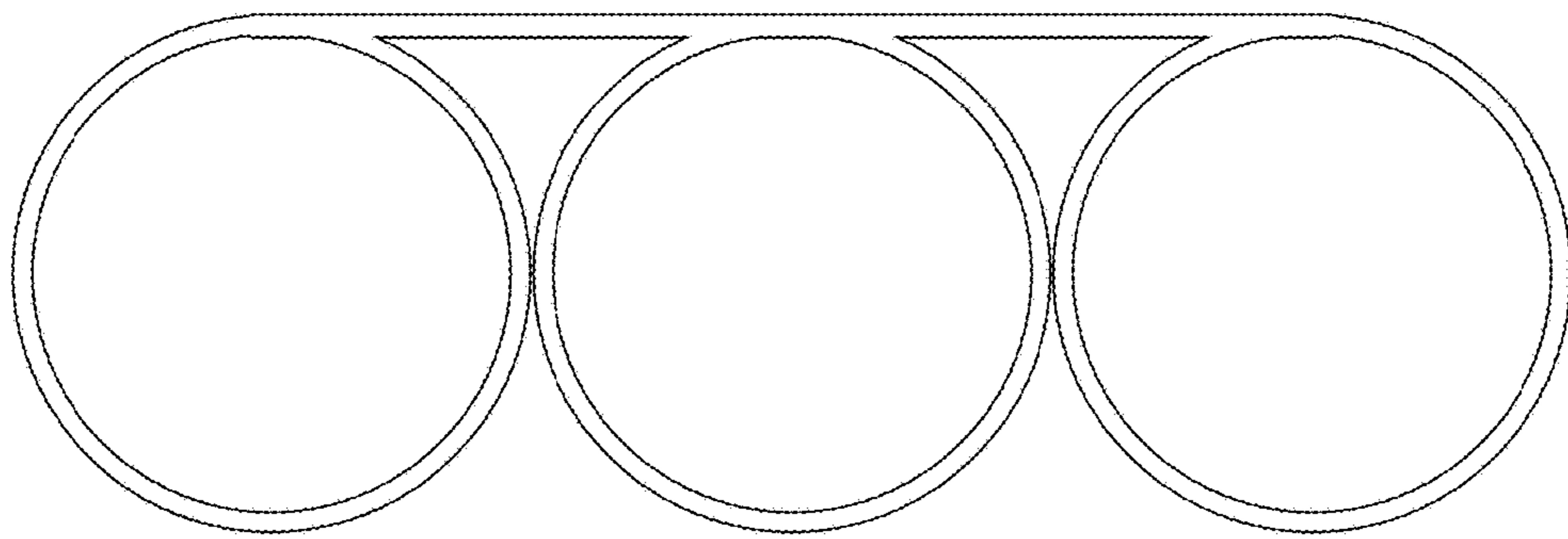


Fig. 7



Fig. 8



Fig. 9