



US00D802329S

(12) **United States Design Patent** (10) **Patent No.:** **US D802,329 S**  
**Brownley et al.** (45) **Date of Patent:** **\*\* Nov. 14, 2017**

(54) **WALL MOUNTED DISPENSER CABINET**

(71) Applicant: **GOJO Industries, Inc.**, Akron, OH (US)

(72) Inventors: **David Brownley**, Hudson, OH (US); **Anthony Seitz**, University Heights, OH (US); **Matthew Hern**, Malibu, CA (US)

(73) Assignee: **GOJO Industries, Inc.**, Akron, OH (US)

(\*\*) Term: **15 Years**

(21) Appl. No.: **29/568,743**

(22) Filed: **Jun. 21, 2016**

(51) **LOC (10) Cl.** ..... **23-02**

(52) **U.S. Cl.**  
USPC ..... **D6/545**

(58) **Field of Classification Search**  
USPC ..... D6/545, 515-523; 206/389, 391; 312/34, 34.8, 34.22, 309.1; 211/13.1, 16, 211/44, 49.1, 50, 59.2, 86.01; 221/282, 221/283; 222/173, 181.1  
CPC ..... A47K 5/14; A47K 5/1217; A47K 5/12; B05B 11/3087; B05B 7/0037  
See application file for complete search history.

(56) **References Cited**

U.S. PATENT DOCUMENTS

D372,824 S \* 8/1996 Lin ..... D6/545  
D611,747 S \* 3/2010 Kramer ..... D6/545  
D629,236 S \* 12/2010 Weststrate ..... D6/545  
D634,143 S \* 3/2011 Burkett ..... D6/545  
D637,848 S \* 5/2011 Kramer ..... D6/545  
D643,237 S \* 8/2011 Reynolds ..... D6/545  
8,534,507 B2 \* 9/2013 Gronholm ..... G01F 11/24  
141/369  
8,678,236 B2 \* 3/2014 Burke ..... B67D 7/0216  
222/101

D707,979 S \* 7/2014 Hagleitner ..... D6/545  
8,827,120 B2 \* 9/2014 Boshuizen ..... G01F 11/00  
222/181.3  
D724,861 S \* 3/2015 Gottschalk ..... D6/545  
D768,407 S \* 10/2016 Patterson ..... D6/545  
D778,732 S \* 2/2017 Pelfrey ..... D6/515  
D780,473 S \* 3/2017 Brownley ..... D6/515  
D781,064 S \* 3/2017 Brownley ..... D6/515  
D781,065 S \* 3/2017 Brownley ..... D6/515  
D781,068 S \* 3/2017 Brownley ..... D6/545  
2011/0023364 A1 \* 2/2011 Euteneuer ..... E05F 15/43  
49/25  
2013/0020351 A1 \* 1/2013 Pelfrey ..... A47K 5/1214  
222/23  
2014/0054322 A1 \* 2/2014 McNulty ..... A47K 5/14  
222/190  
2015/0083754 A1 \* 3/2015 Proper ..... A47K 5/12  
222/180

(Continued)

*Primary Examiner* — Karen Kearney  
*Assistant Examiner* — Nathan Johnston  
(74) *Attorney, Agent, or Firm* — Calfee, Halter & Griswold LLP

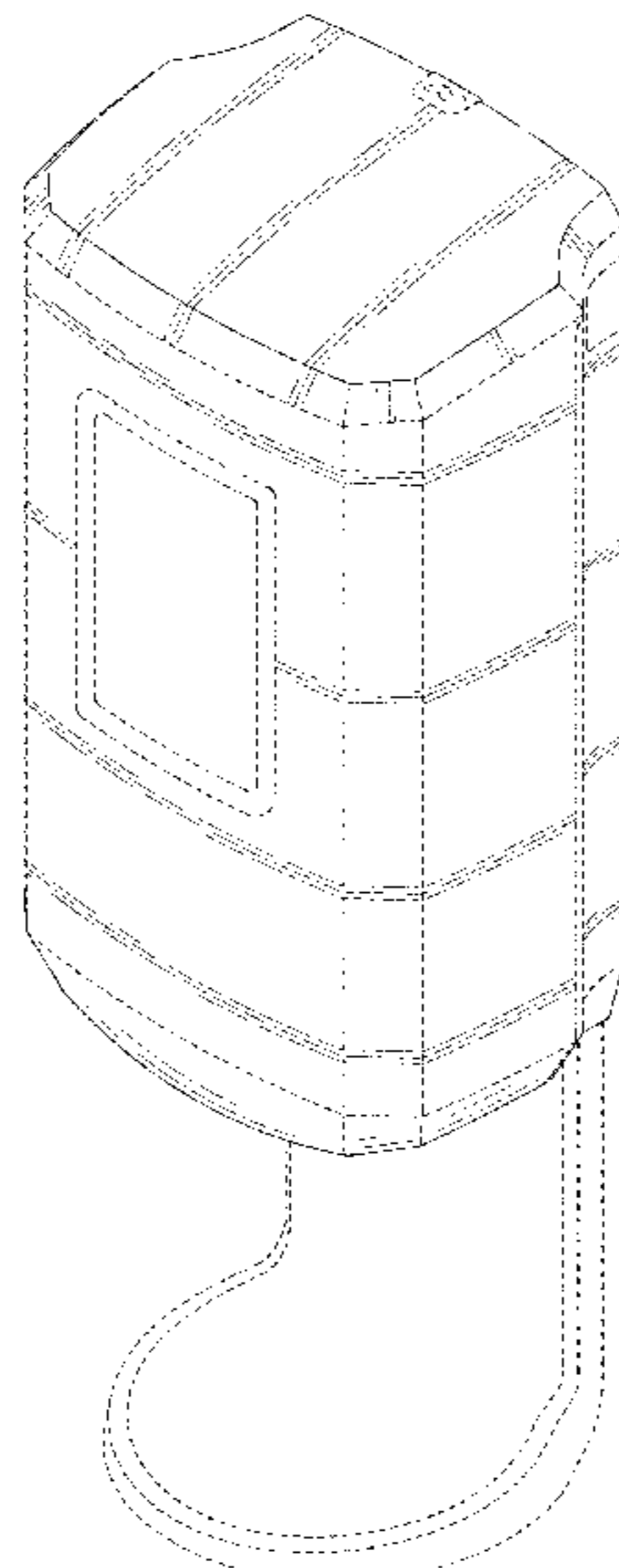
(57) **CLAIM**

The ornamental design for a wall mounted dispenser cabinet, as shown and described.

**DESCRIPTION**

FIG. 1 is a perspective view of a wall mounted dispenser cabinet showing our new design;  
FIG. 2 is a front elevation view thereof;  
FIG. 3 is a rear elevation view thereof;  
FIG. 4 is a top plan view thereof;  
FIG. 5 is a bottom plan view thereof;  
FIG. 6 is a left side elevation view thereof; and,  
FIG. 7 is a right side elevation view thereof.  
The broken line showing of wall mounted dispenser cabinet is included for the purpose of illustrating portions of the article and forms no part of the claimed design.

**1 Claim, 4 Drawing Sheets**



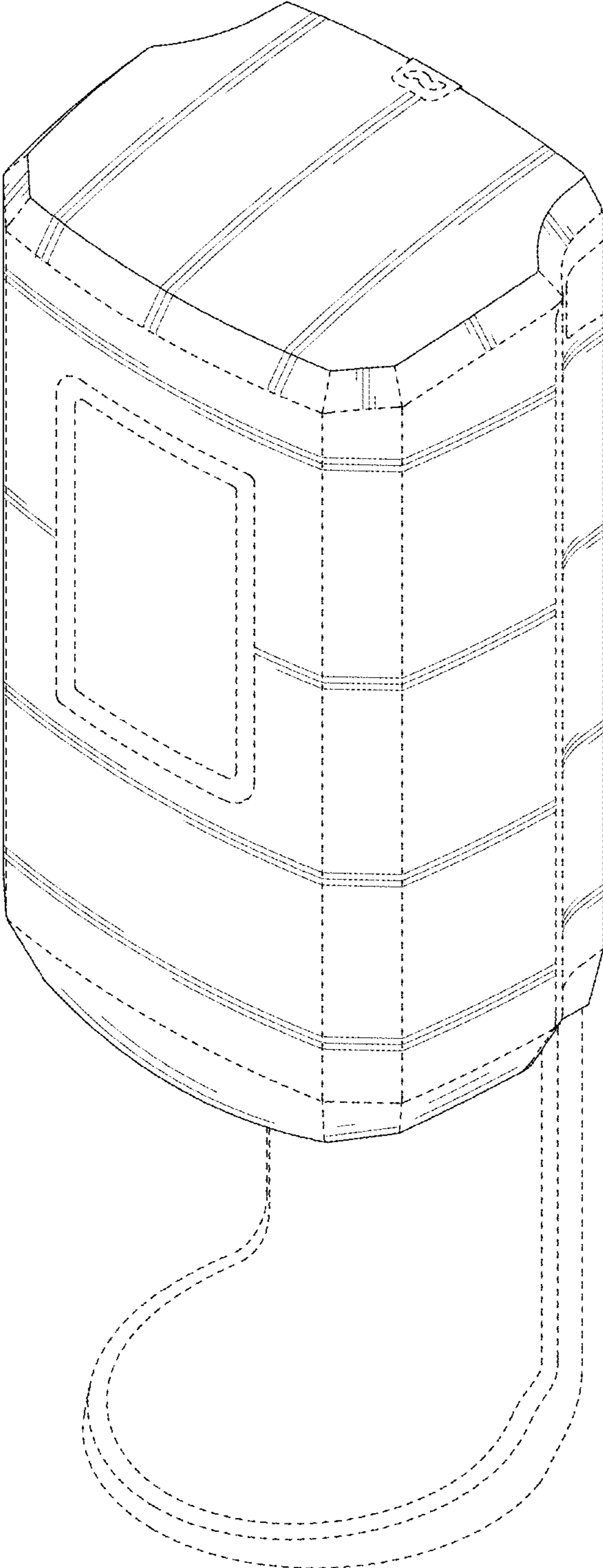
(56)

**References Cited**

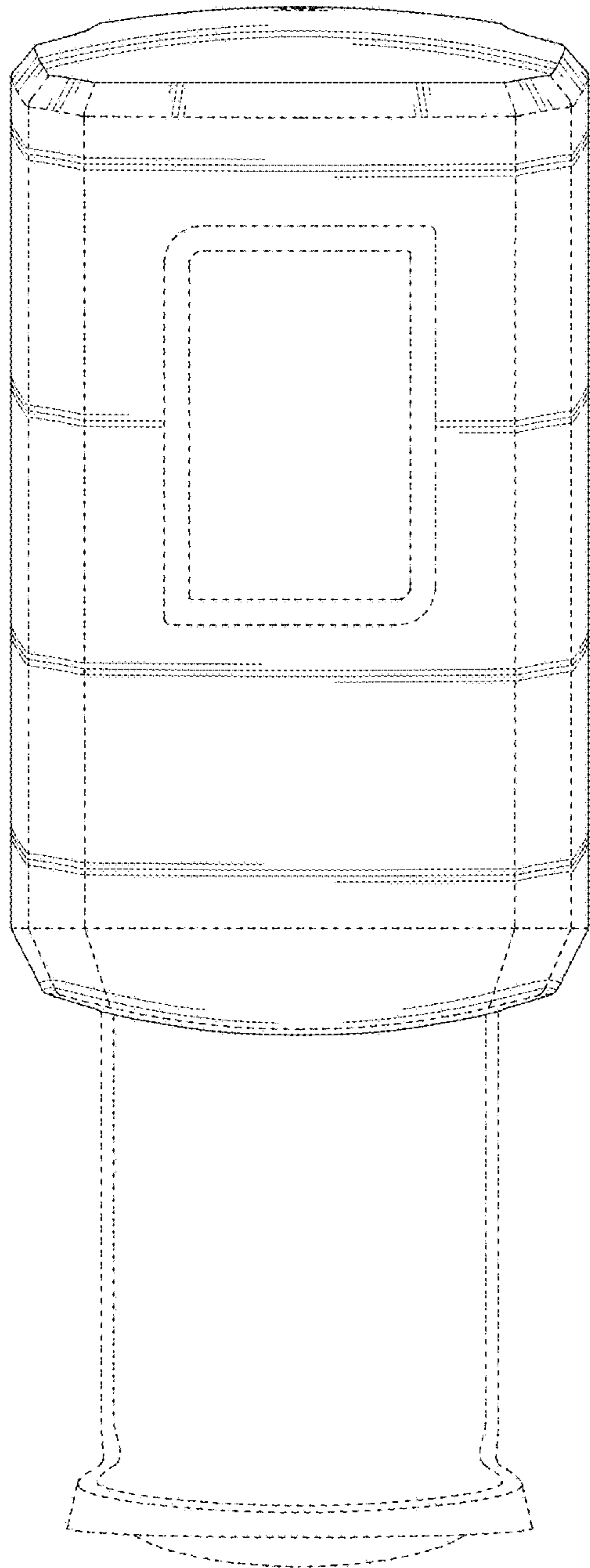
U.S. PATENT DOCUMENTS

2015/0190827 A1\* 7/2015 Ophardt ..... B05B 11/0037  
222/153.09  
2015/0216368 A1\* 8/2015 McClendon ..... A47K 5/1217  
222/1  
2015/0266657 A1\* 9/2015 Corney ..... B65D 47/06  
222/478  
2015/0320265 A1\* 11/2015 Bullock ..... A47K 5/1217  
222/1  
2017/0100001 A1\* 4/2017 Tojek ..... A47K 5/1211

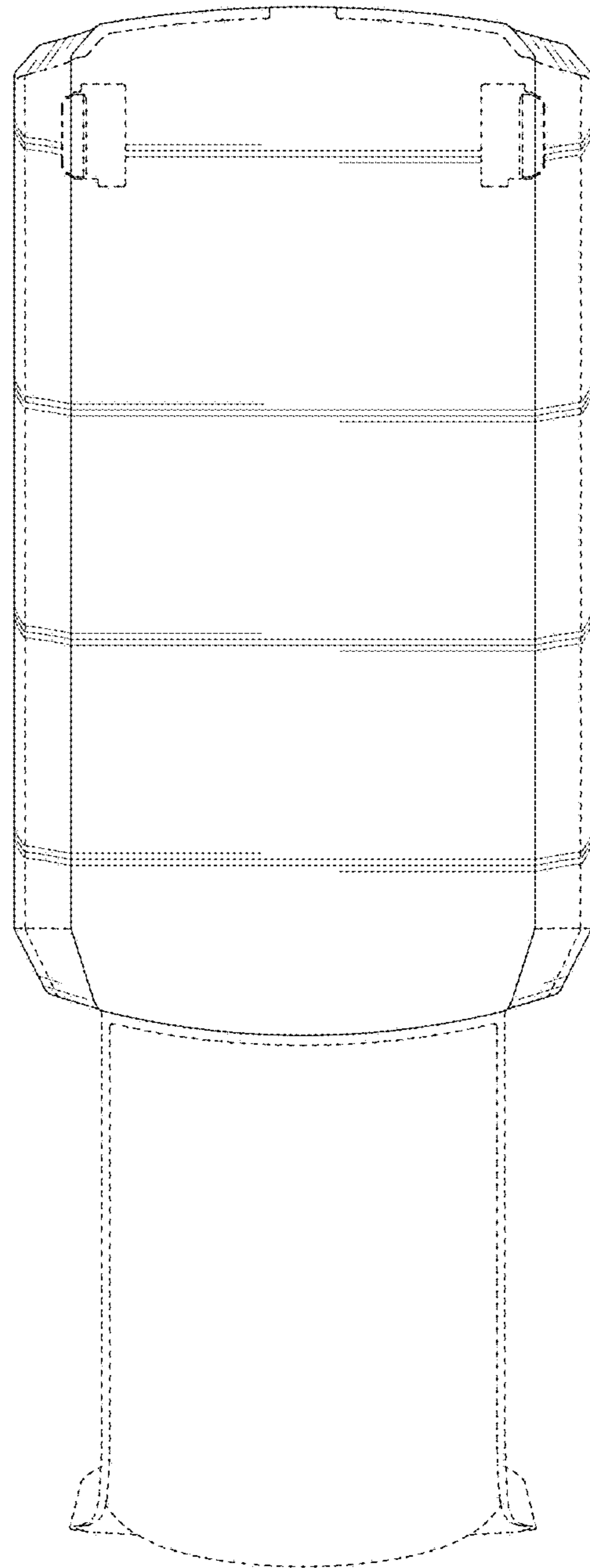
\* cited by examiner



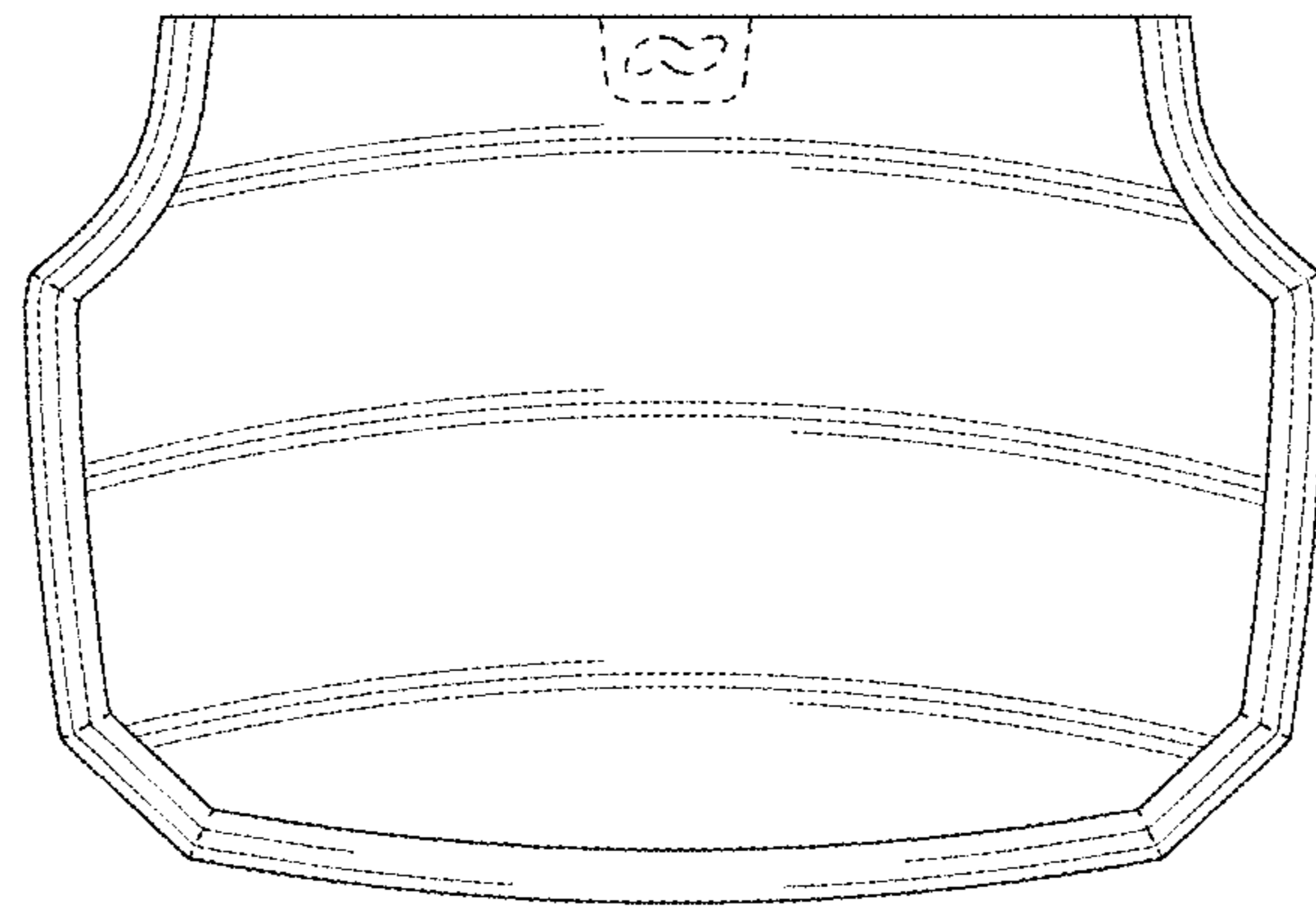
**FIG. 1**



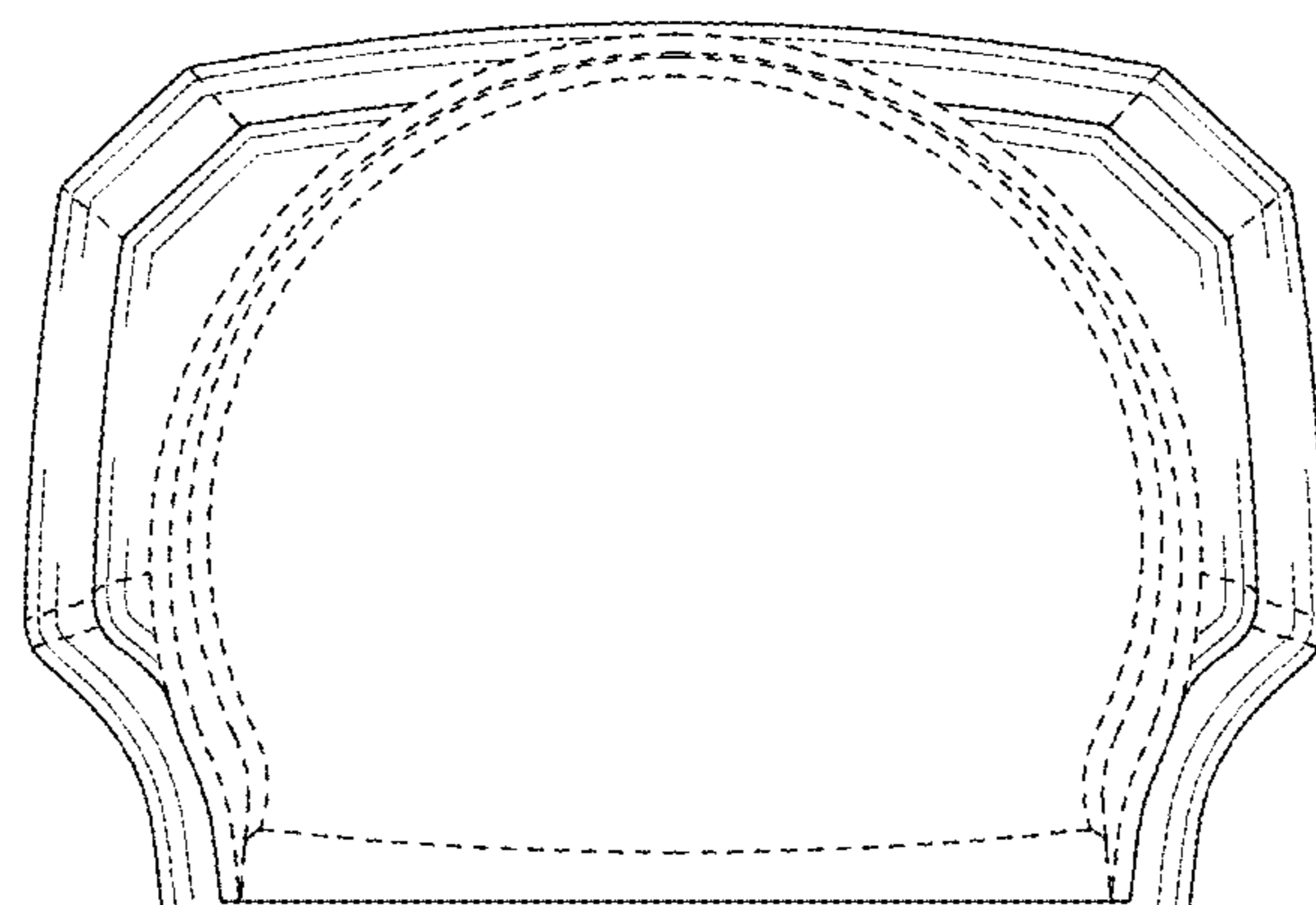
**FIG. 2**



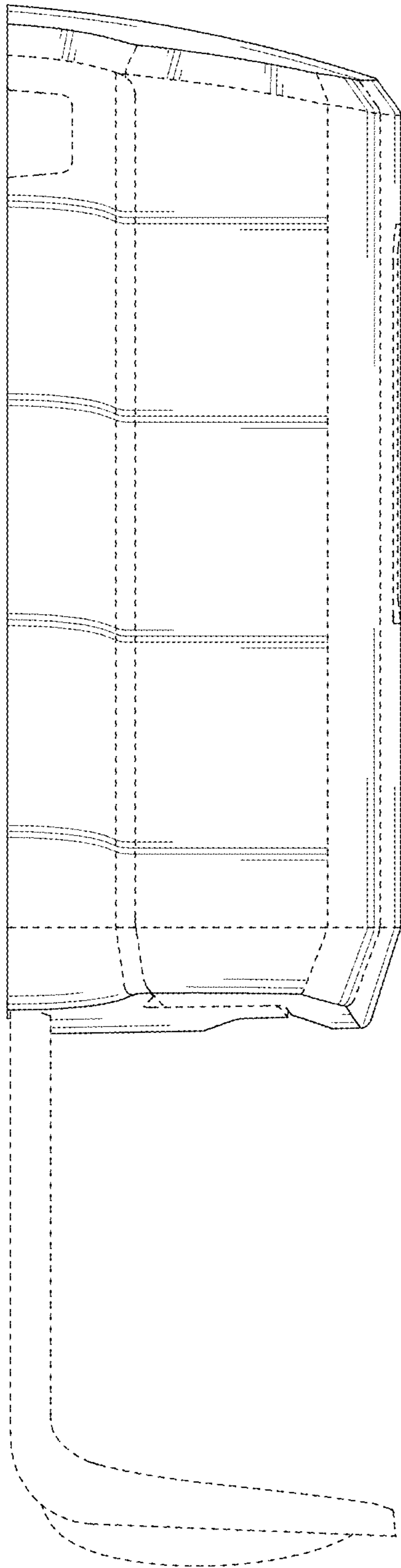
**FIG. 3**



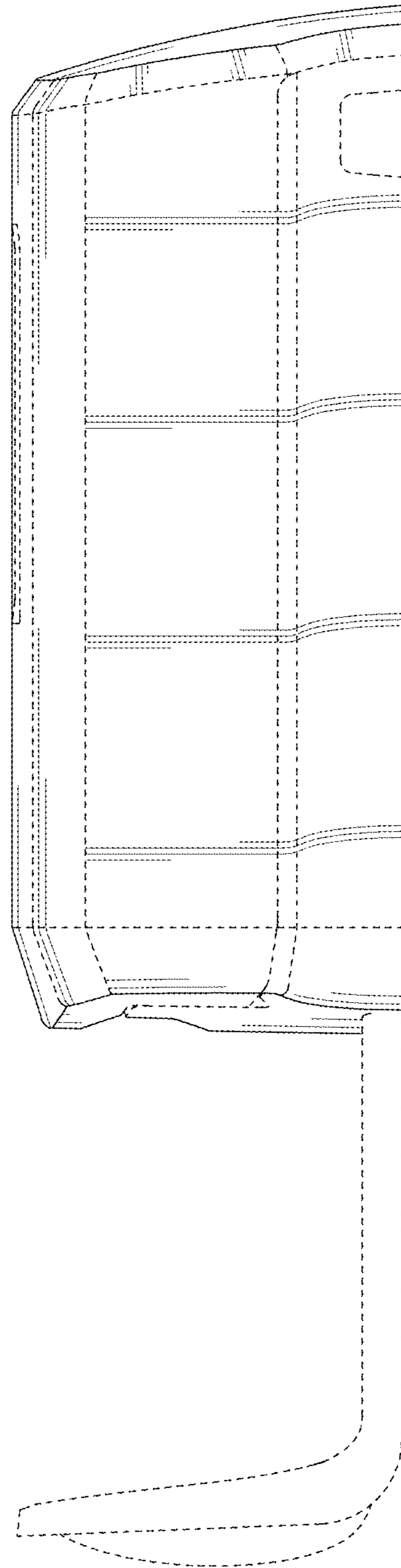
**FIG. 4**



**FIG. 5**



**FIG. 6**



**FIG. 7**