



US00D802328S

(12) **United States Design Patent**
Wortell

(10) **Patent No.:** **US D802,328 S**

(45) **Date of Patent:** **** Nov. 14, 2017**

(54) **BRUSH AND RAZOR STAND**

D699,473 S * 2/2014 Szczepanowski D6/526
D792,719 S * 7/2017 Wortell D6/526

(71) Applicant: **Joseph Wortell**, Chicago, IL (US)

* cited by examiner

(72) Inventor: **Joseph Wortell**, Chicago, IL (US)

Primary Examiner — Wan Laymon

(**) Term: **15 Years**

Assistant Examiner — Mark Booker

(21) Appl. No.: **29/569,052**

(74) *Attorney, Agent, or Firm* — Law Office of Lesley A. Wallerstein, LLC

(22) Filed: **Jun. 23, 2016**

(57) **CLAIM**

(51) **LOC (10) Cl.** **28-03**

The ornamental design for the brush and razor stand, as shown and described.

(52) **U.S. Cl.**

USPC **D6/526**

DESCRIPTION

(58) **Field of Classification Search**

USPC D6/527, 526, 524, 540, 534, 528;
D9/748, 749; 206/208, 209, 228, 361,
206/362.1, 362.2, 362.3; 211/13.1, 66,
211/70.6, 86.01, 87.01, 89.01; 248/127,
248/176.1, 200, 205.5, 309.1, 314

See application file for complete search history.

FIG. 1 is a perspective view of a brush and razor stand according to the present invention.

FIG. 2 is a front view of the brush and razor stand of FIG. 1.

FIG. 3 is a rear view of the brush and razor stand of FIG. 1.

FIG. 4 is a left side view of the brush and razor stand of FIG. 1.

FIG. 5 is a right side view of the brush and razor stand of FIG. 1.

FIG. 6 is a top view of the brush and razor stand of FIG. 1; and,

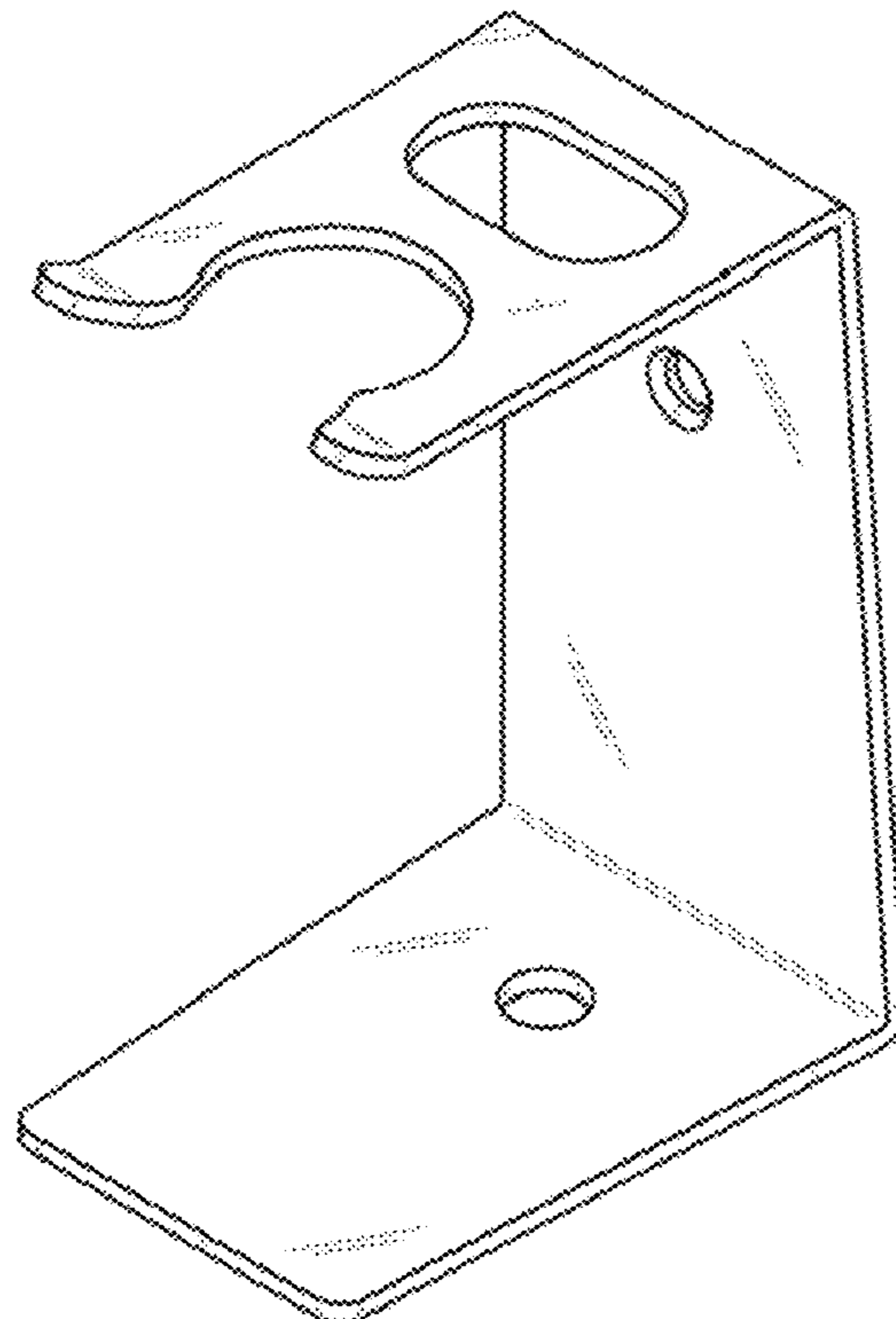
FIG. 7 is a bottom view of the brush and razor stand of FIG. 1.

(56) **References Cited**

U.S. PATENT DOCUMENTS

D544,264 S * 6/2007 Gallagher D6/524
D576,436 S * 9/2008 Provost D6/526
D632,110 S * 2/2011 Cooper D6/526
D677,090 S * 3/2013 Floyd D6/526
D677,503 S * 3/2013 Floyd D6/526

1 Claim, 4 Drawing Sheets



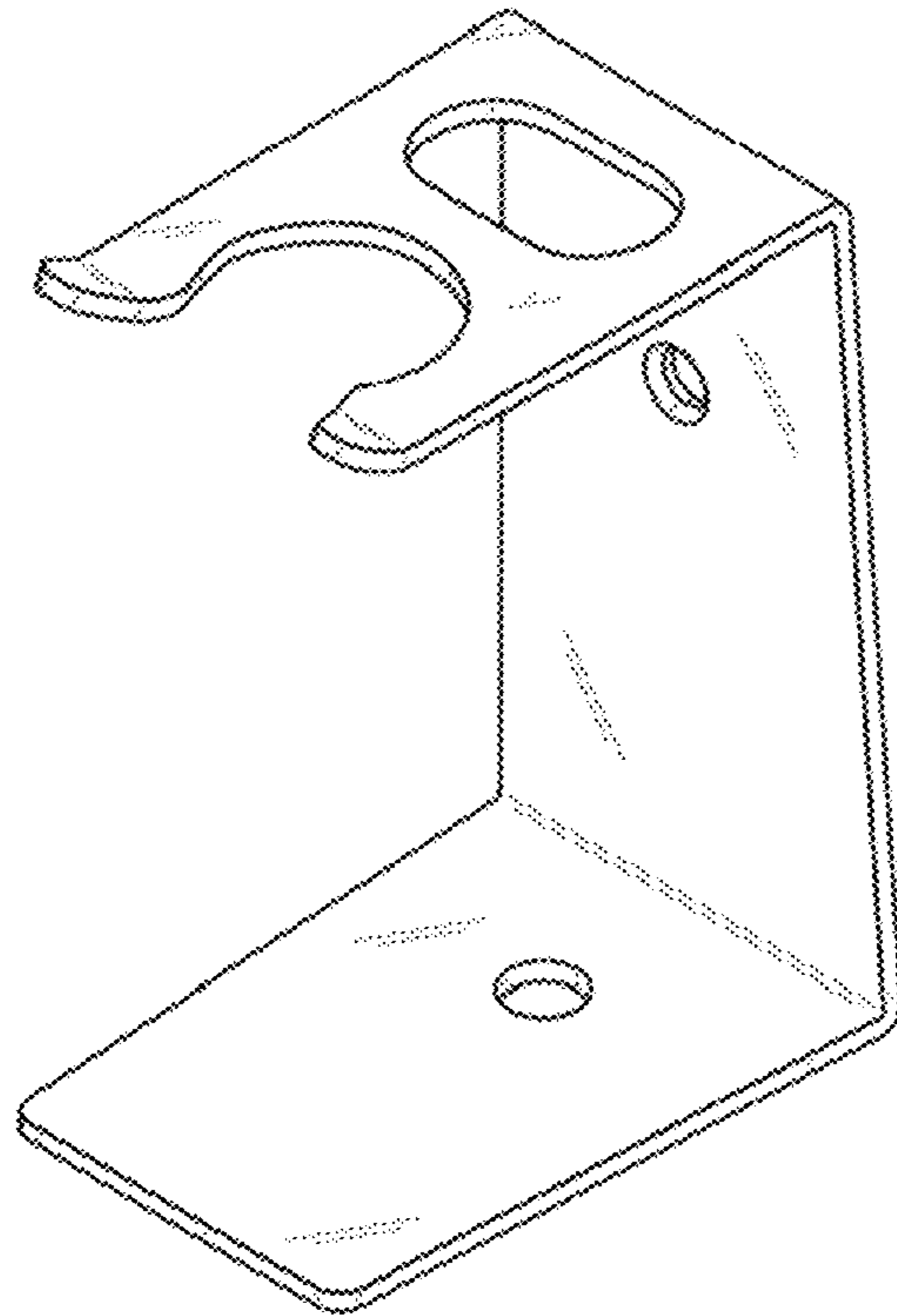


FIG. 1

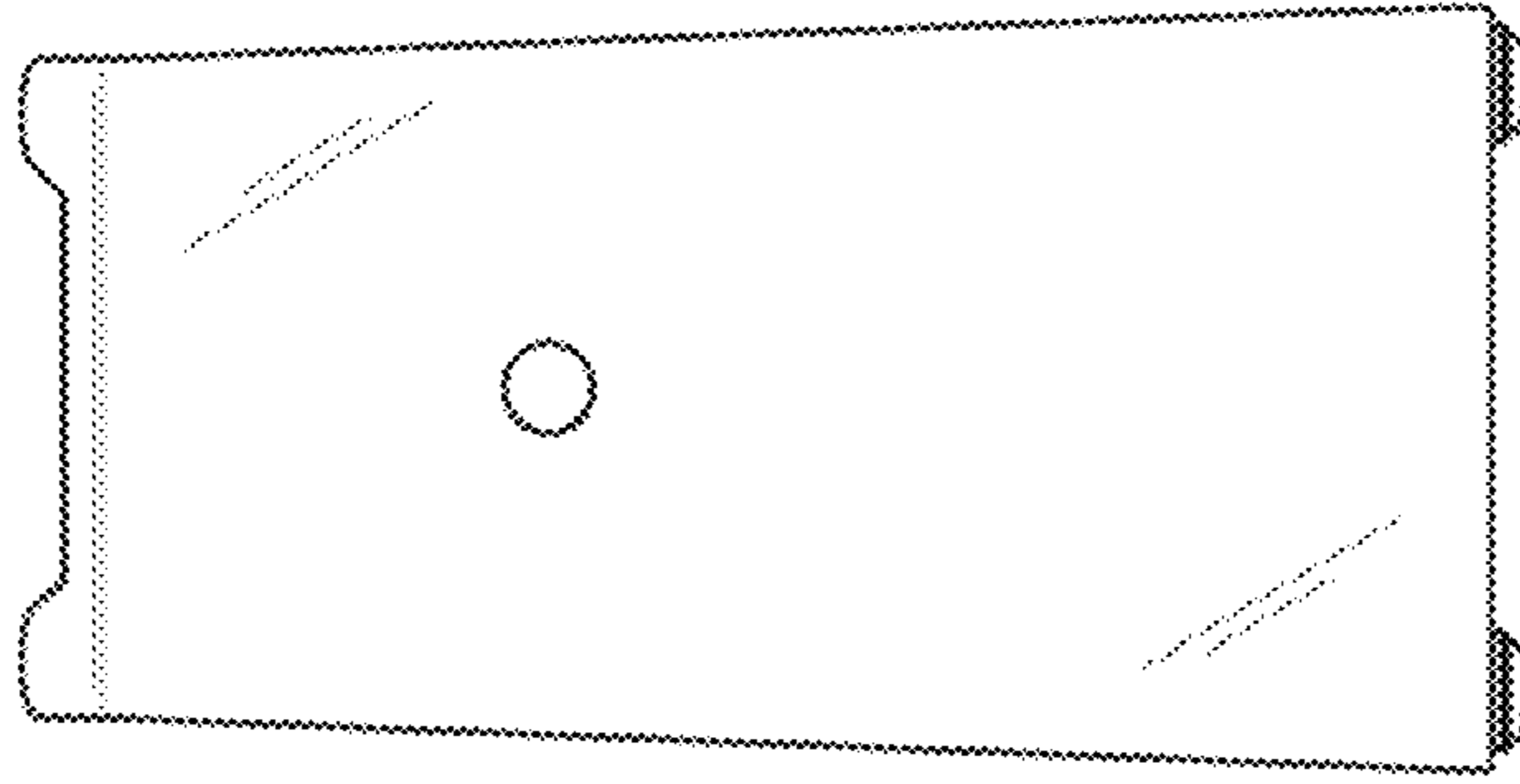


FIG. 3

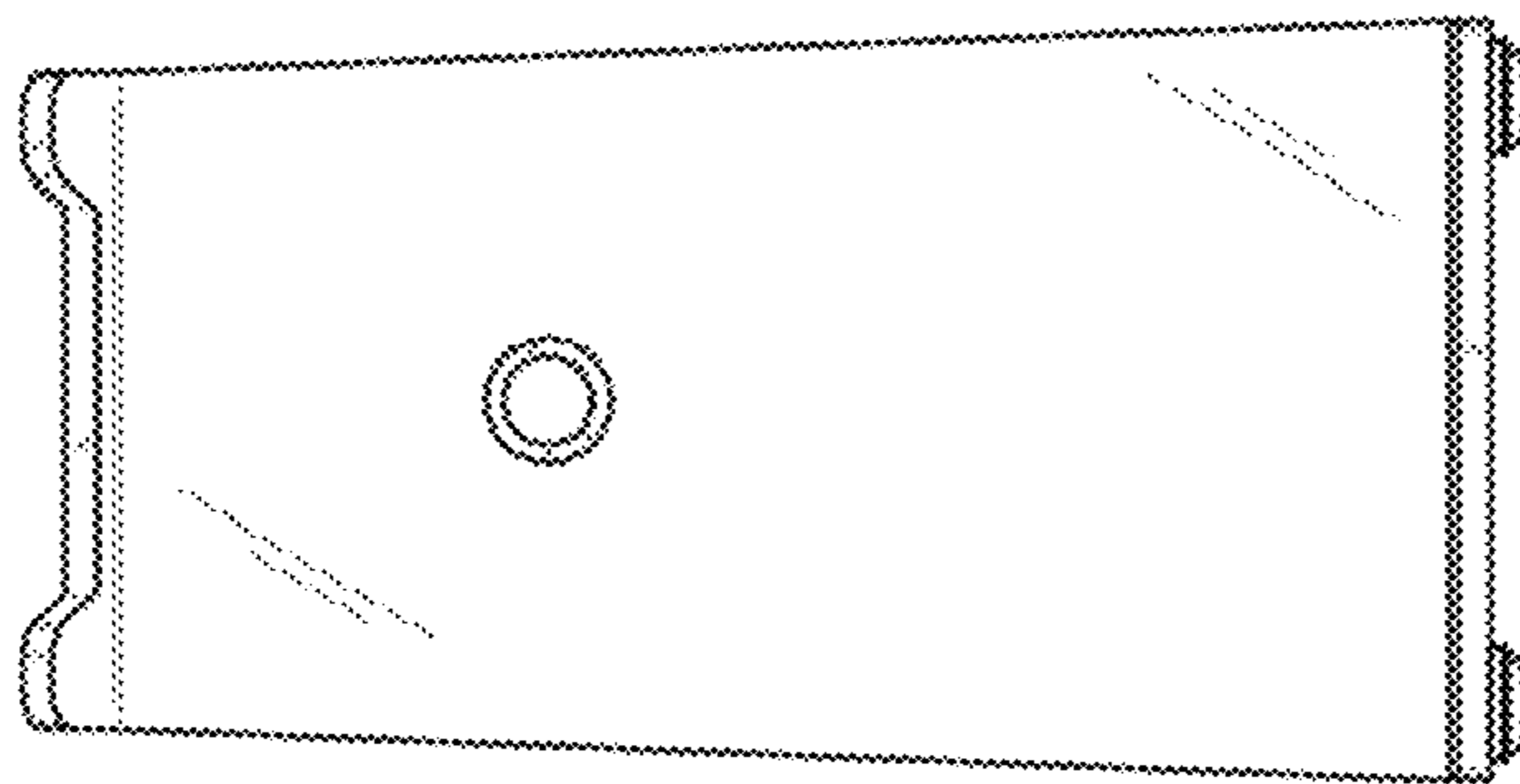


FIG. 2

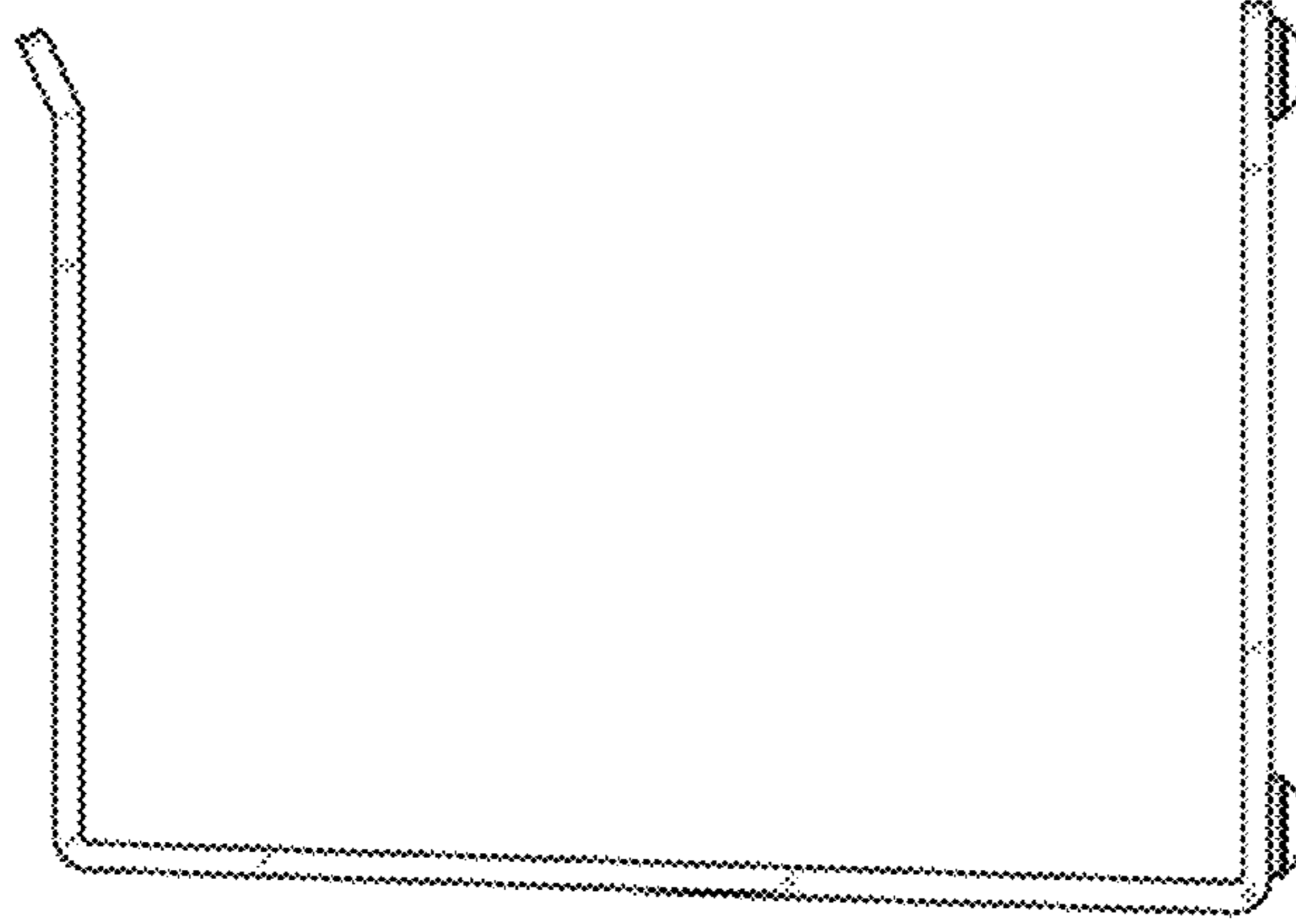


FIG. 5

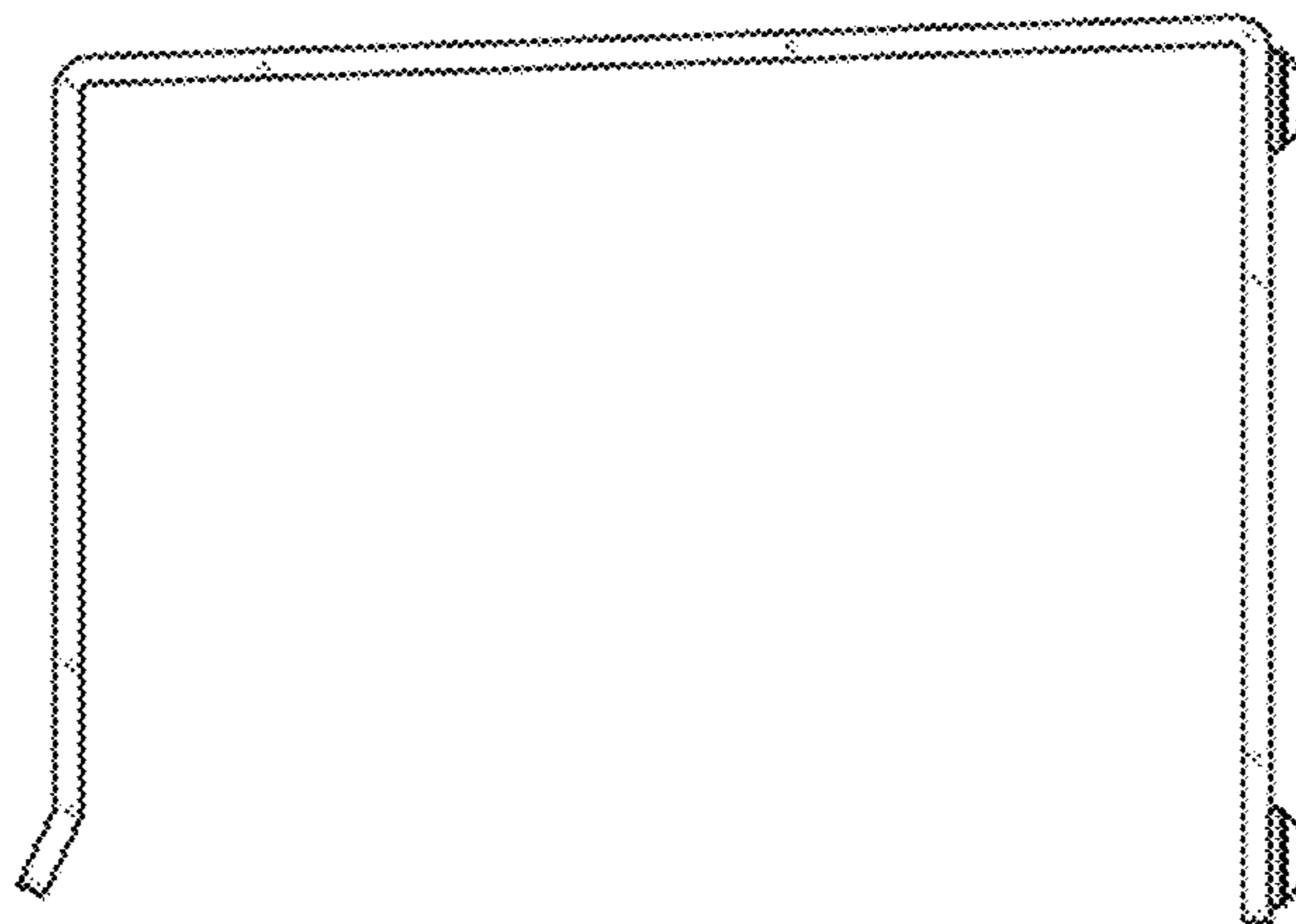


FIG. 4

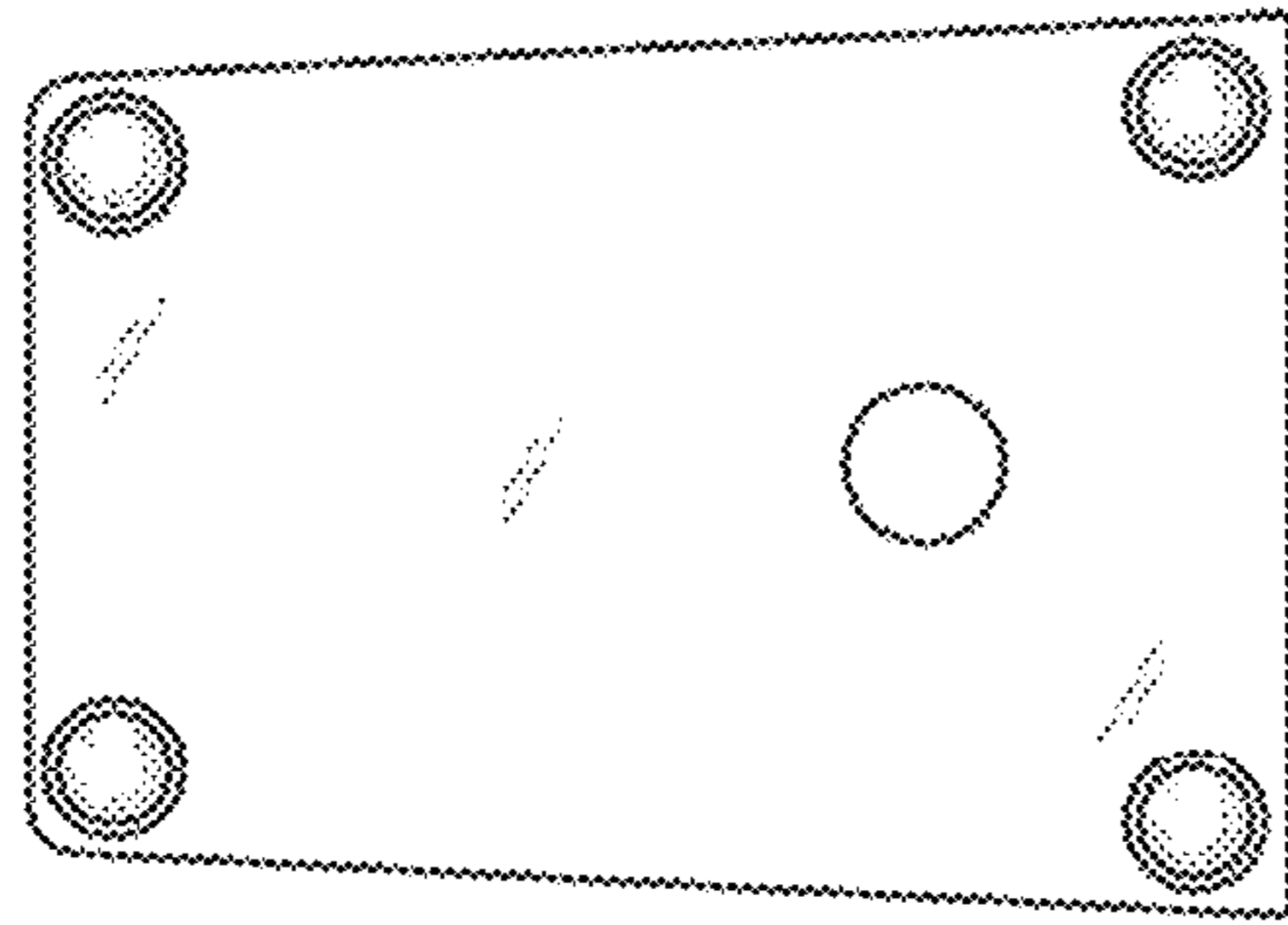


FIG. 6

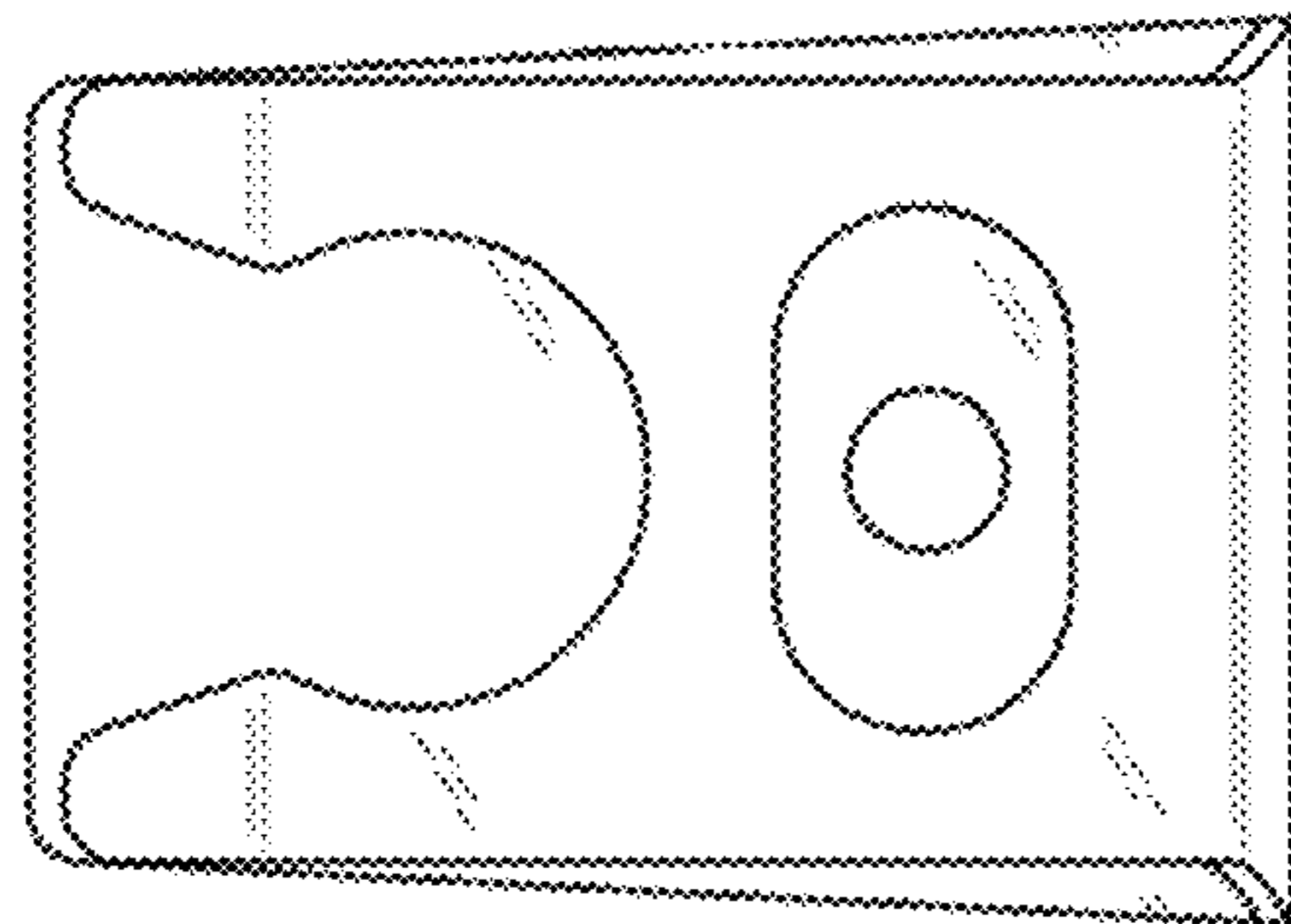


FIG. 7