



US00D802327S

(12) **United States Design Patent** (10) **Patent No.:** **US D802,327 S**
Masterson et al. (45) **Date of Patent:** **** Nov. 14, 2017**

(54) **COMBINATION WIPES AND TOILET PAPER HOLDER**

(71) Applicants: **Vivian Masterson**, DeSota, TX (US);
Victor M. Masterson, DeSota, TX (US)

(72) Inventors: **Vivian Masterson**, DeSota, TX (US);
Victor M. Masterson, DeSota, TX (US)

(**) Term: **15 Years**

(21) Appl. No.: **29/548,405**

(22) Filed: **Dec. 14, 2015**

Related U.S. Application Data

(63) Continuation of application No. 13/671,943, filed on Nov. 8, 2012, now abandoned.

(51) **LOC (10) Cl.** **23-02**

(52) **U.S. Cl.**
USPC **D6/519**

(58) **Field of Classification Search**
USPC D6/546-550, 518-519, 522-524;
211/13.1, 16, 60.1, 86.01, 87.01, 88.01,
211/88.04, 100, 105.1, 105.2, 123, 126.1,
211/133.6, 134, 181.1, 182; 206/389,
206/557; 108/28-29; 16/110.1, 412,
16/415; 242/570, 590, 595-598;
D8/300, 303, 315-321, 354, 363, 373,
D8/380; 248/175, 176.1, 200, 251, 302,
248/309.1
CPC A47K 10/38; A47K 2010/3253
See application file for complete search history.

(56) **References Cited**

U.S. PATENT DOCUMENTS

3,794,253 A 2/1974 Megdall
4,607,763 A * 8/1986 Wright B65D 35/285
222/102

D335,597 S * 5/1993 Winebrenner D6/518
5,311,986 A 5/1994 Putz
D353,965 S * 1/1995 Winebrenner D6/518
D377,284 S 1/1997 Farrow et al.
5,623,880 A 4/1997 Kuntz
D477,487 S * 7/2003 Chaney D6/552
6,929,148 B2 8/2005 Haddad et al.
6,959,890 B1 11/2005 Breitinger
6,988,691 B1 * 1/2006 Lai A47K 10/38
242/594
7,407,237 B2 8/2008 Bright
7,410,052 B2 8/2008 Cook et al.
7,527,218 B2 5/2009 Brown
7,694,848 B2 4/2010 Petry
D638,744 S * 5/2011 Phillips D11/155

(Continued)

Primary Examiner — David Muller

Assistant Examiner — Nathan Johnston

(74) *Attorney, Agent, or Firm* — Robert C. Montgomery;
Montgomery Patent & Design

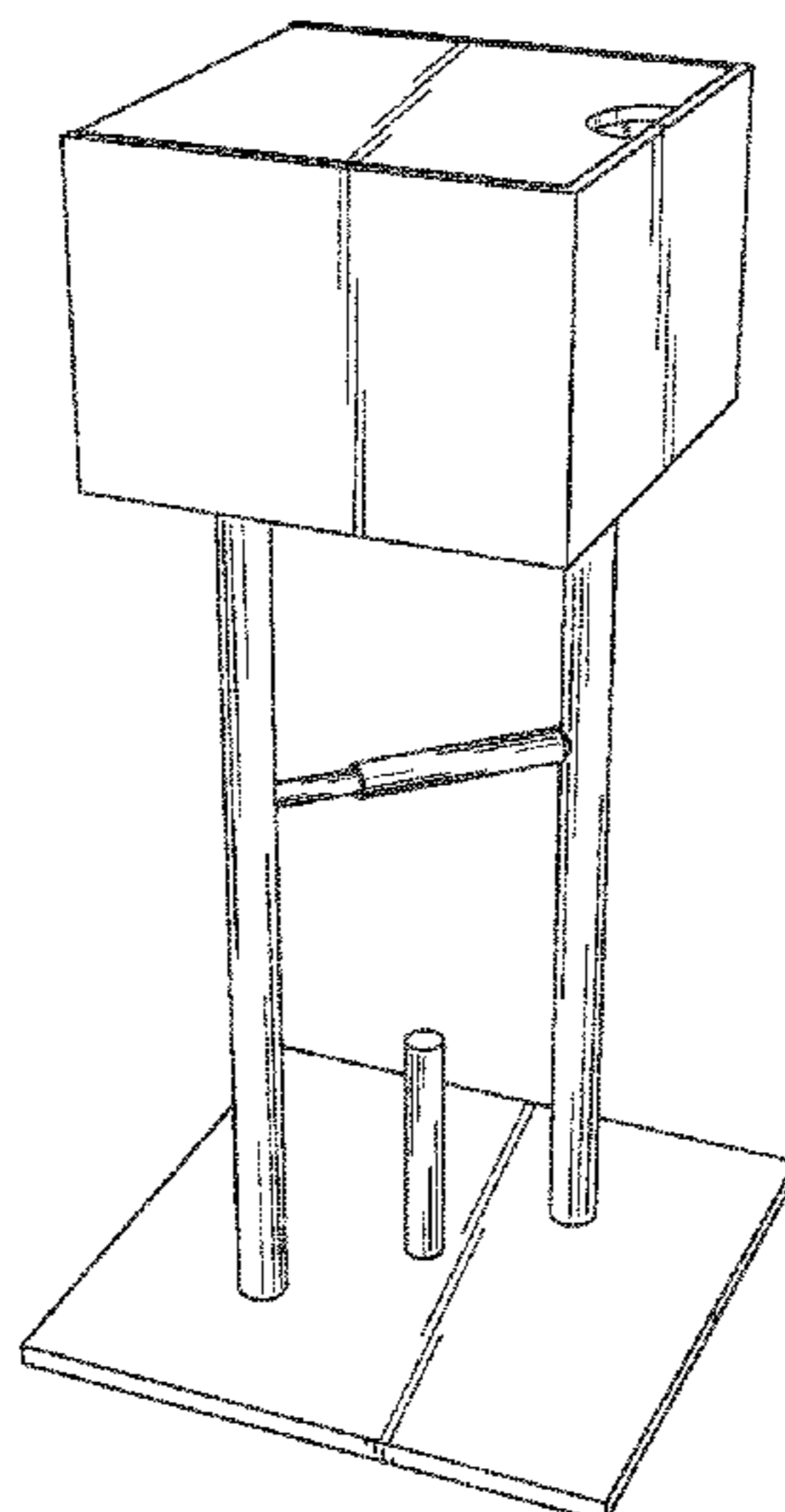
(57) **CLAIM**

The ornamental design for a combination wipes and toilet paper holder, as shown and described.

DESCRIPTION

FIG. 1 is a front side perspective view of a combination wipes and toilet paper holder, showing our new design; FIG. 2 is a bottom side perspective view thereof; FIG. 3 is a rear elevation view thereof; FIG. 4 is a front elevation view thereof; FIG. 5 is a left side elevation view thereof; FIG. 6 is a right side elevation view thereof; FIG. 7 is a top plan view thereof; and, FIG. 8 is a bottom plan view thereof. The broken line showing of combination wipes and toilet paper holder is included for the purpose of illustrating portions of the “article” and forms no part of the claimed design.

1 Claim, 8 Drawing Sheets



(56)

References Cited

U.S. PATENT DOCUMENTS

D642,410 S *	8/2011	Vaults, Jr.	D6/524
D671,346 S *	11/2012	Zlatic	D23/208
D691,389 S *	10/2013	Snider	D6/519
2007/0181594 A1	8/2007	Thompson	
2016/0095478 A1*	4/2016	Toma	A47K 10/38 242/594

* cited by examiner

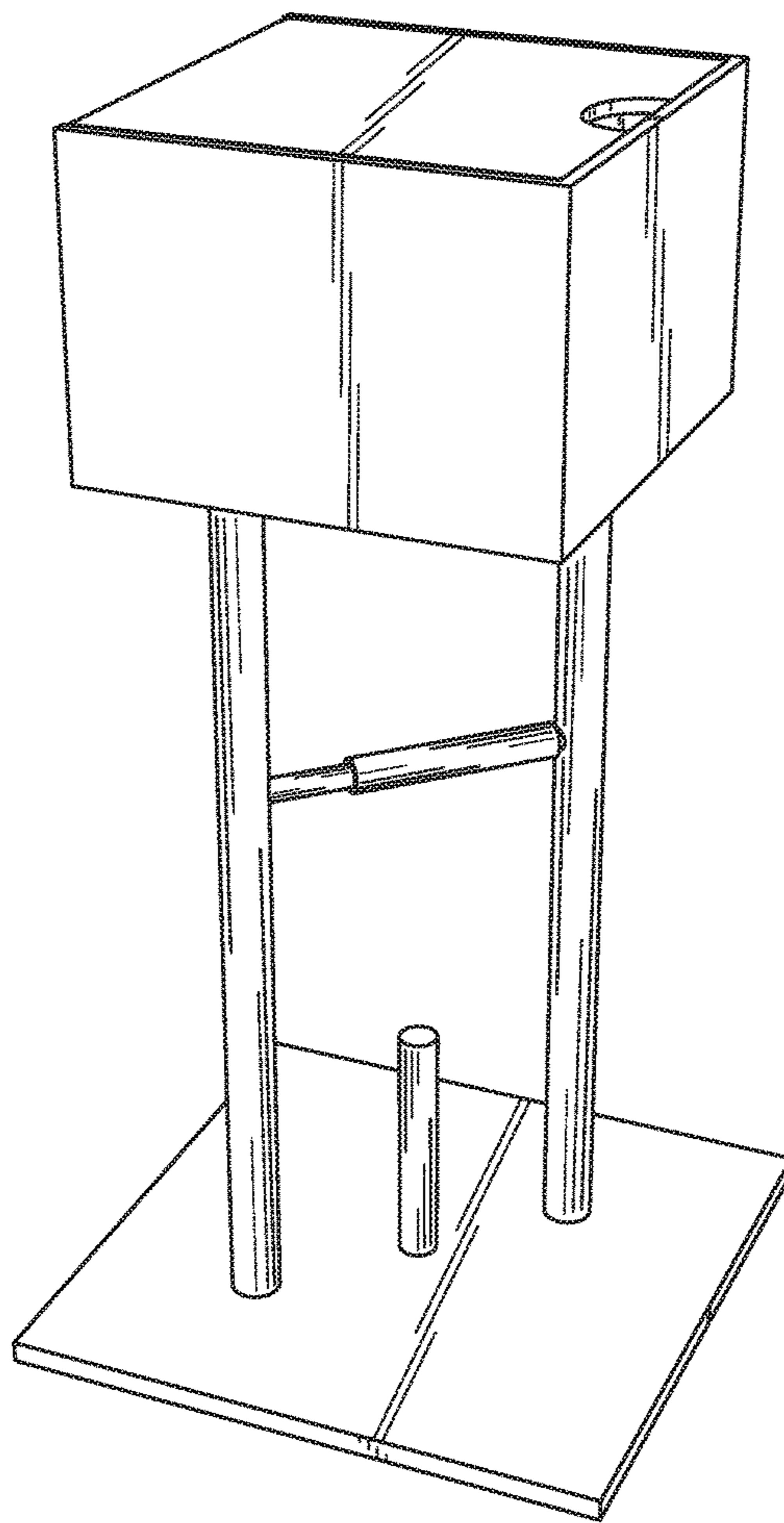


FIG. 1

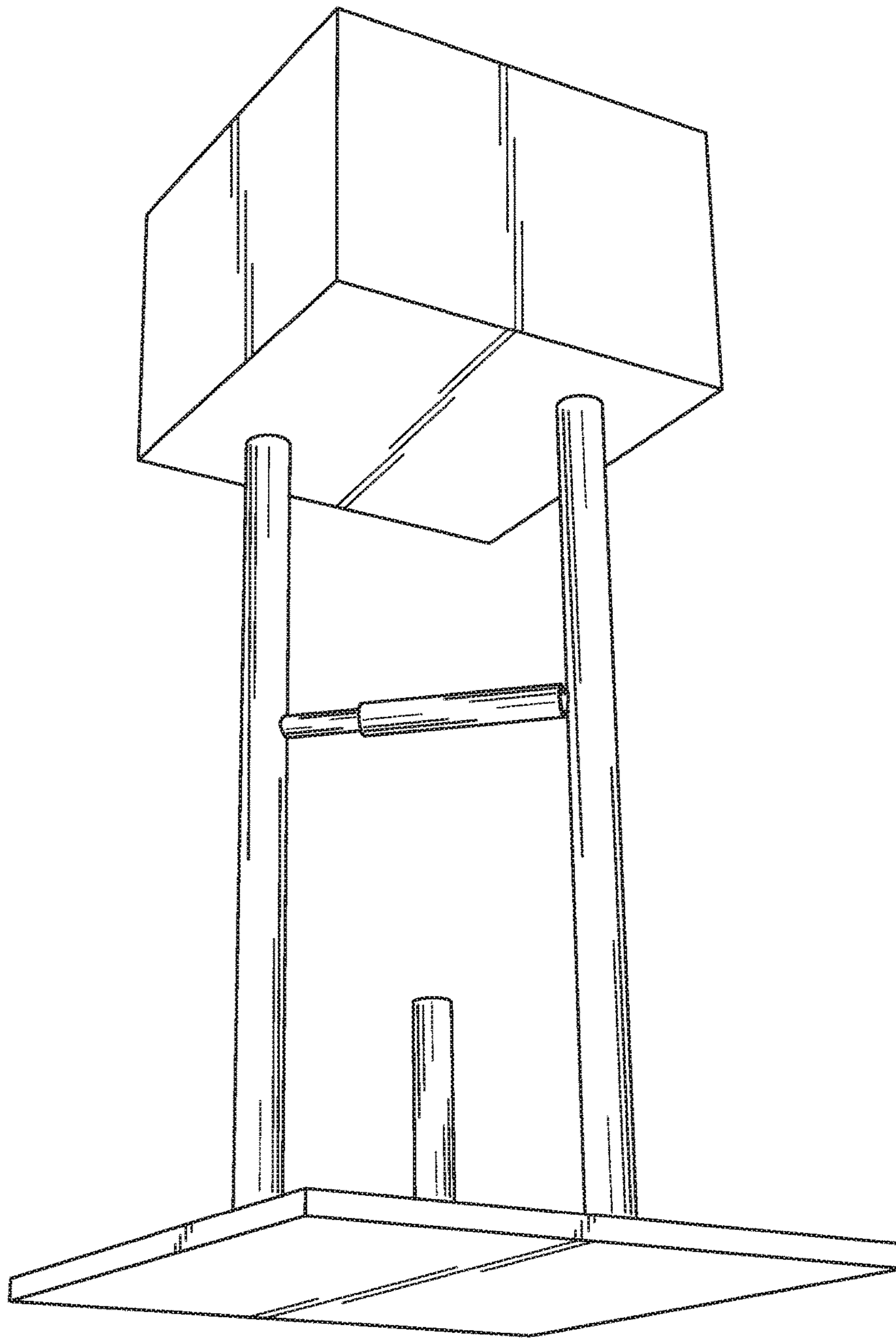


FIG. 2

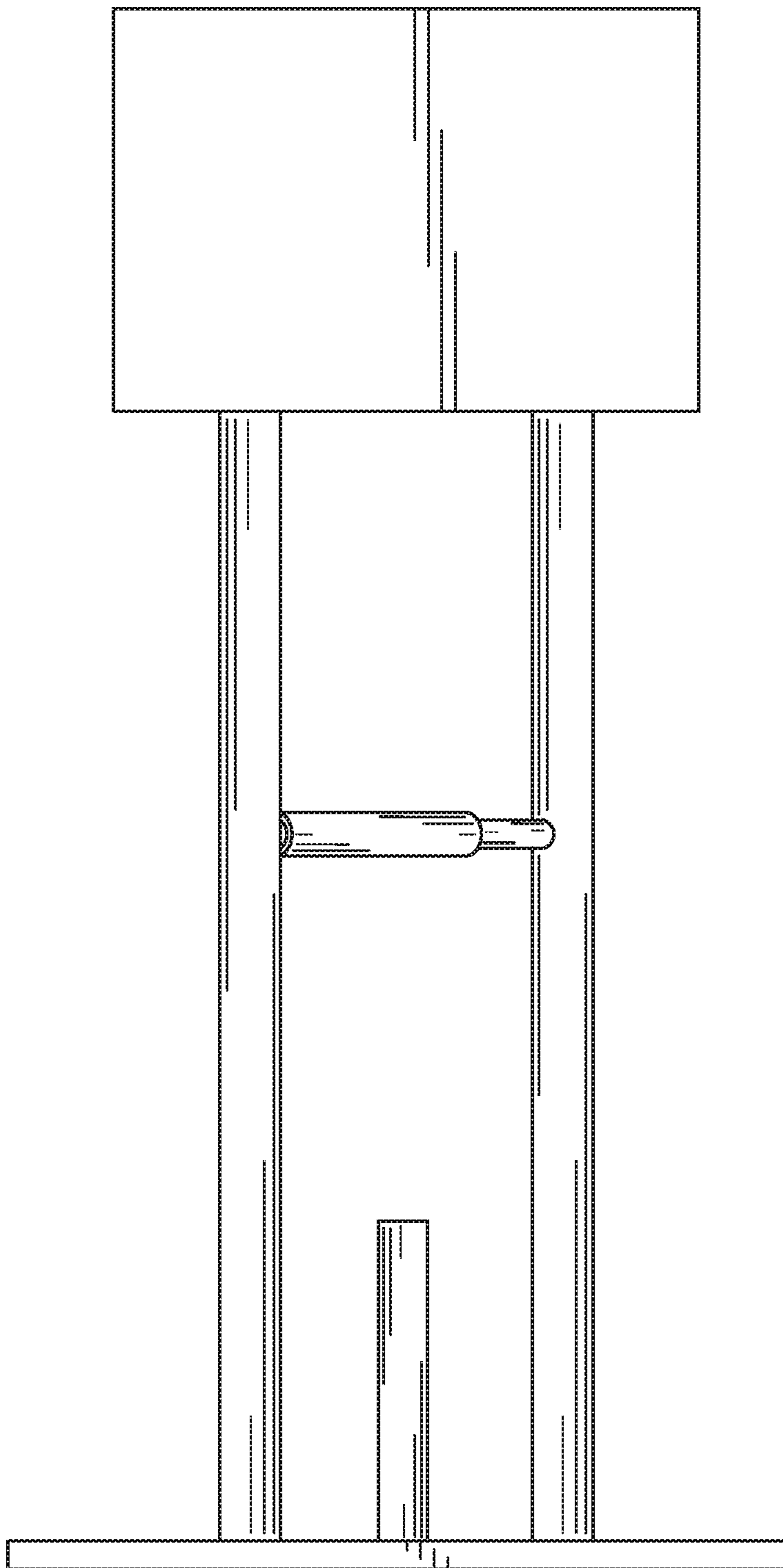


FIG. 3

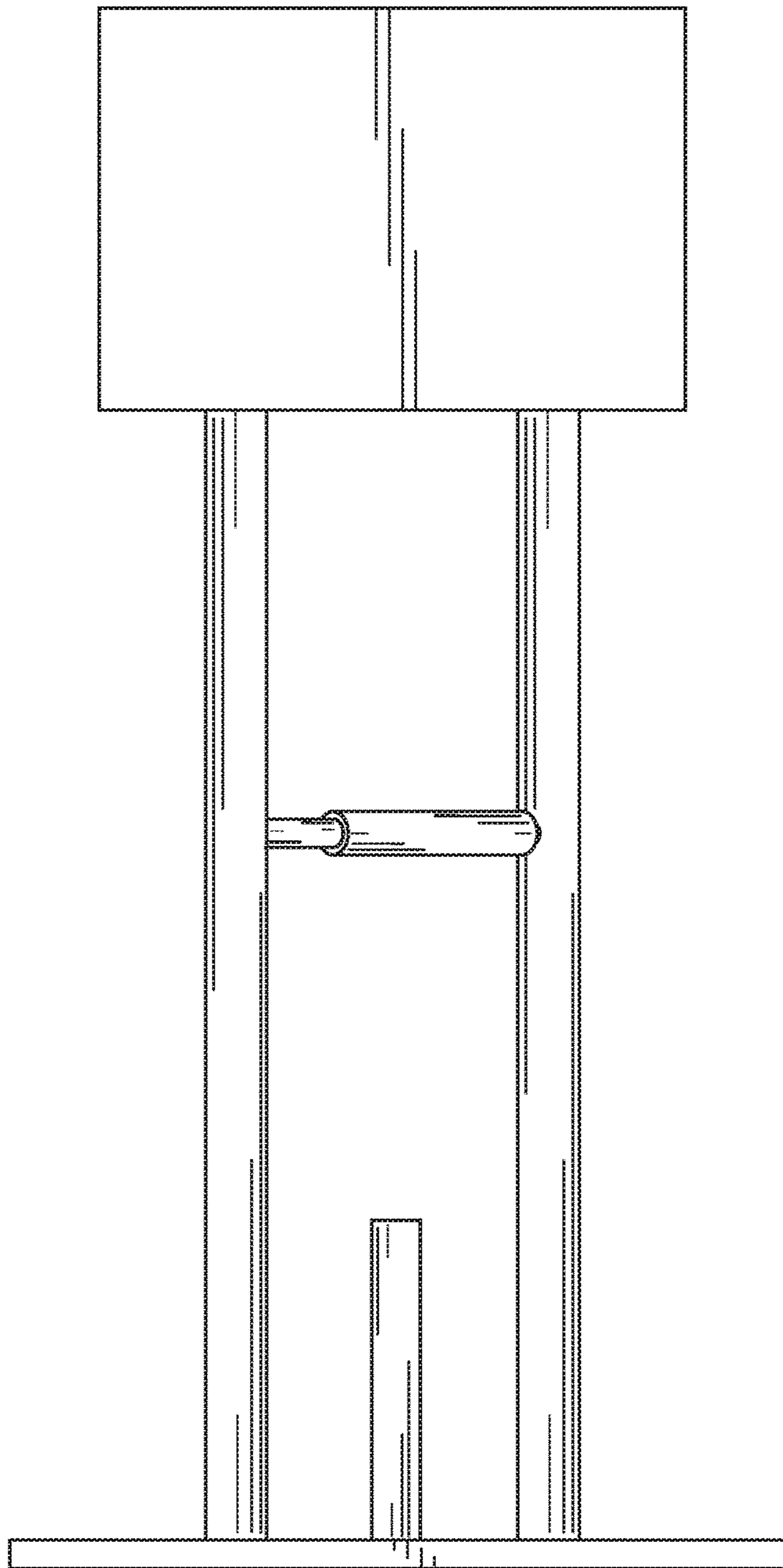


FIG. 4

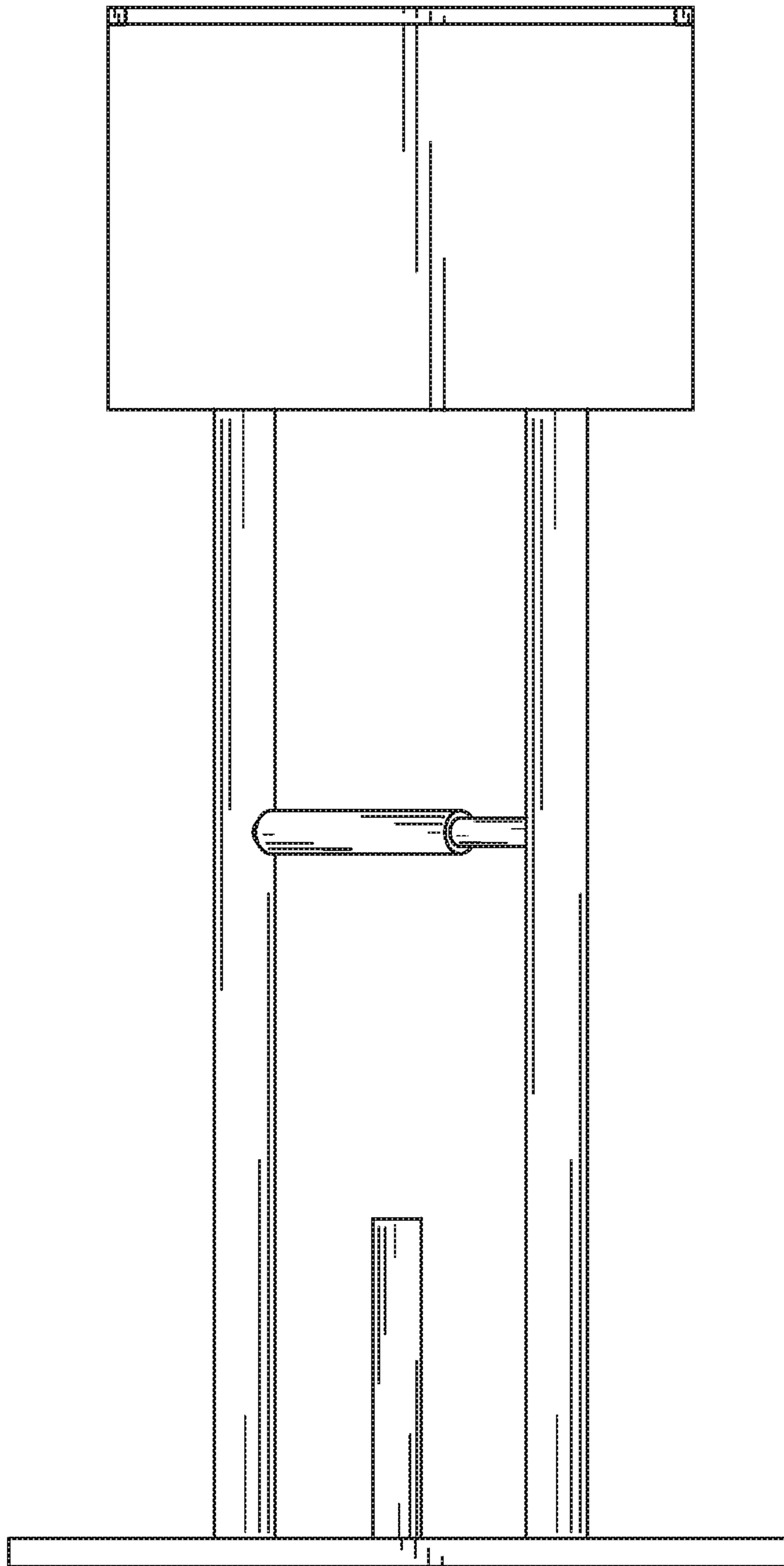


FIG. 5

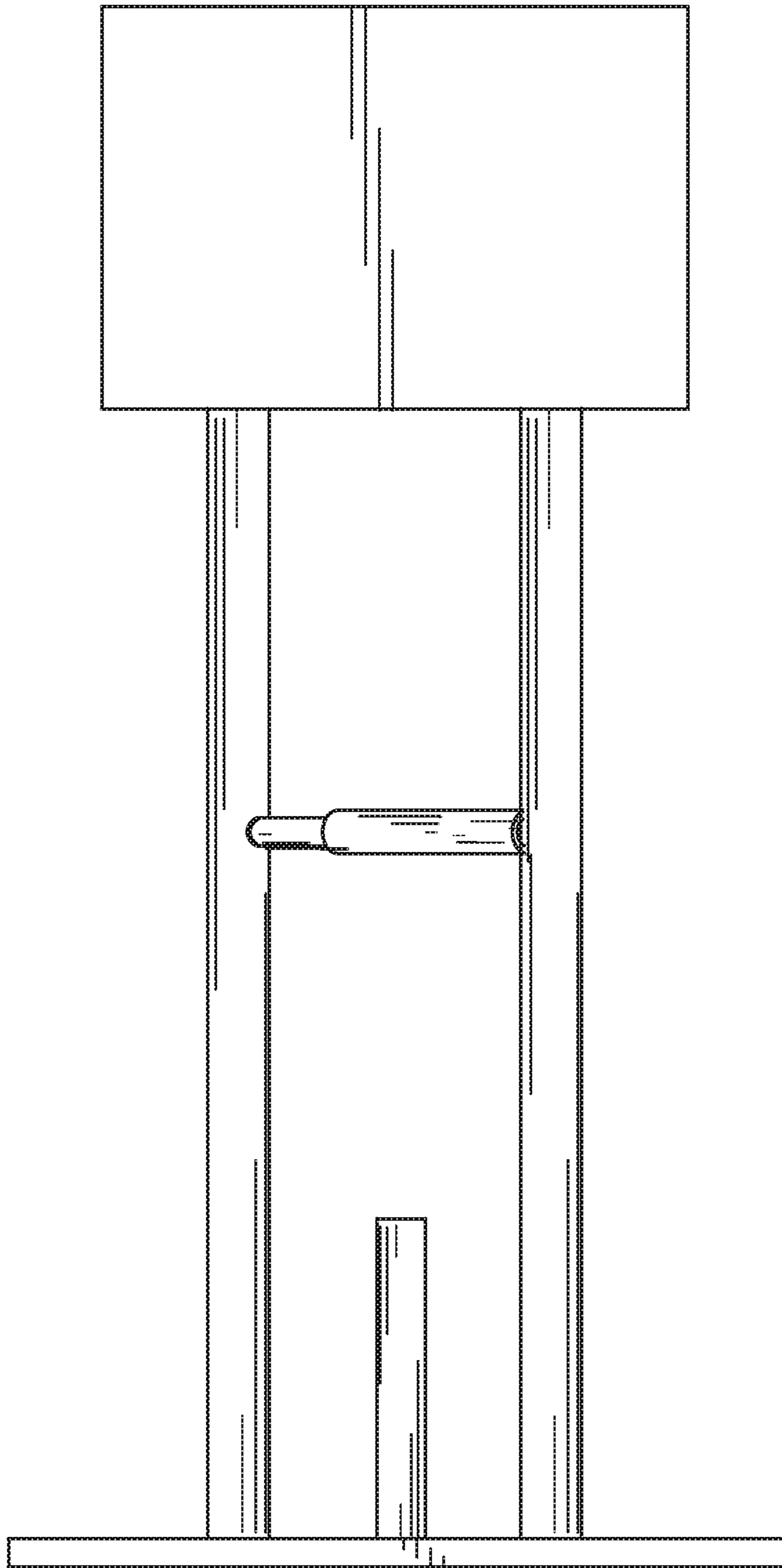


FIG. 6

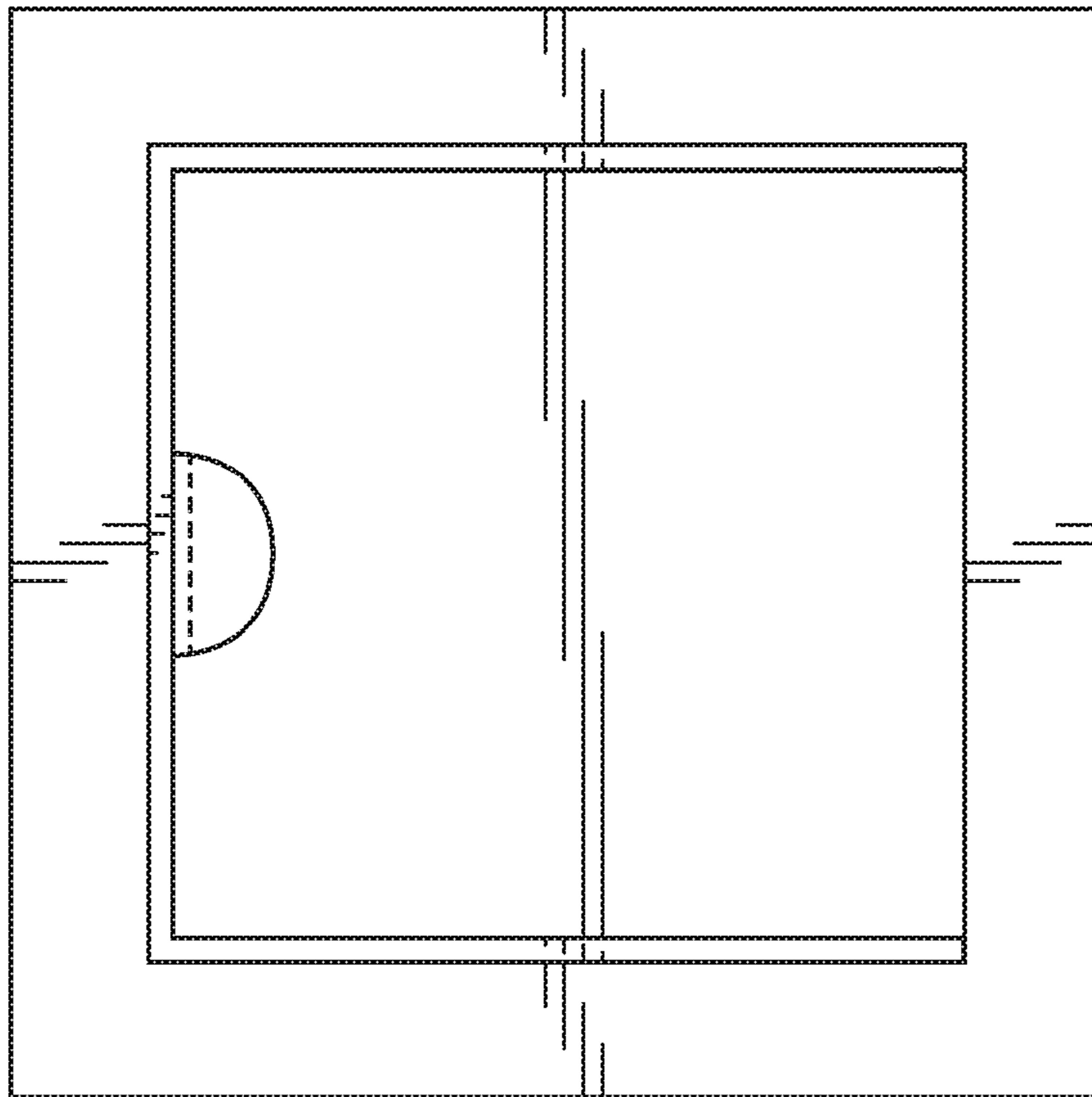


FIG. 7

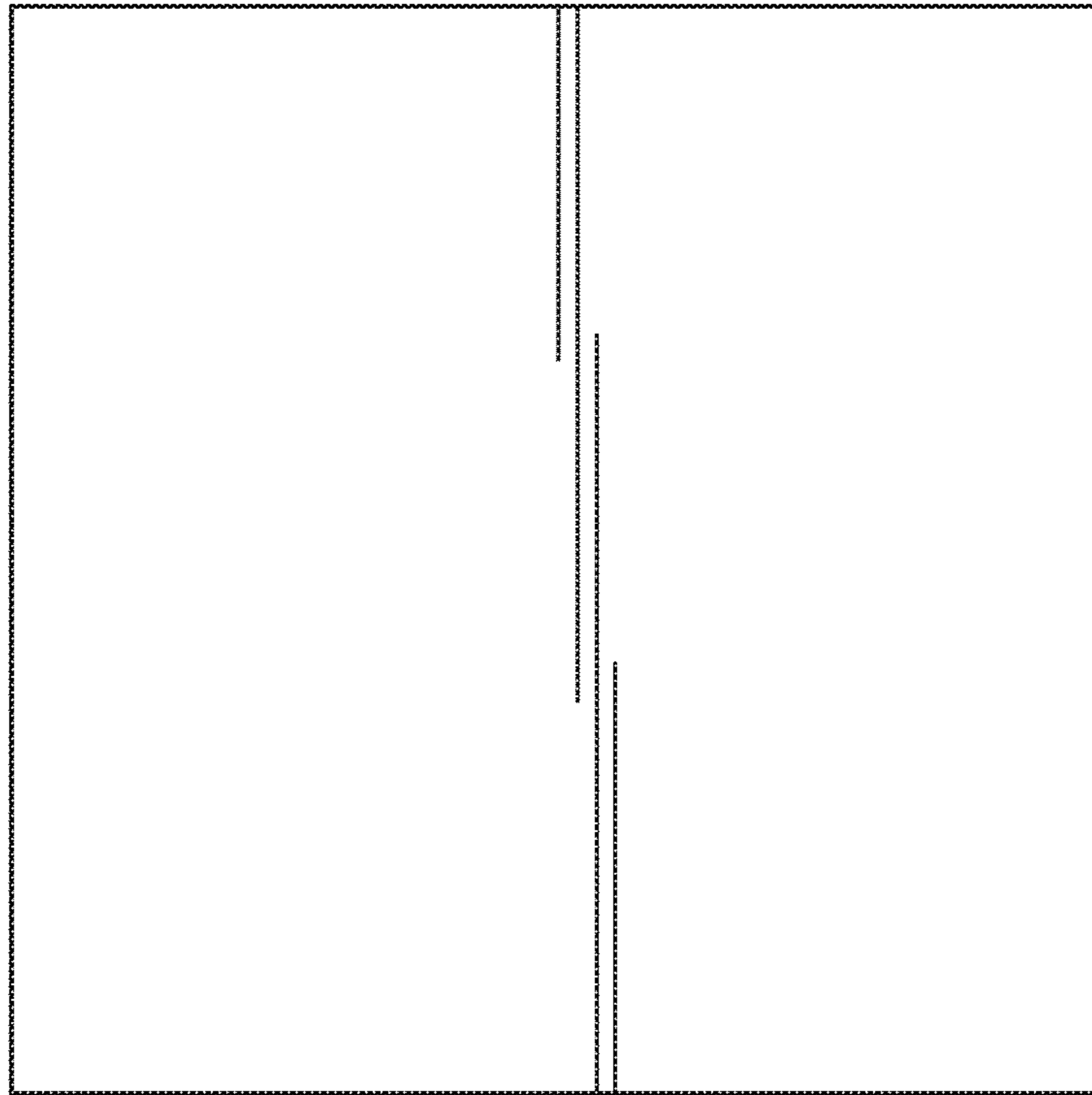


FIG. 8