



US00D802324S

(12) **United States Design Patent** (10) **Patent No.:** **US D802,324 S**  
**Bucove et al.** (45) **Date of Patent:** **\*\* Nov. 14, 2017**

(54) **BED**

(71) Applicants: **Jennie Bucove**, New York, NY (US);  
**Bruce A. Sienkowski**, Grand Rapids, MI (US); **Justin R. Burton**, Grand Rapids, MI (US); **Rosemary Bakker**, New York, NY (US)

(72) Inventors: **Jennie Bucove**, New York, NY (US);  
**Bruce A. Sienkowski**, Grand Rapids, MI (US); **Justin R. Burton**, Grand Rapids, MI (US); **Rosemary Bakker**, New York, NY (US)

(\*\*) Term: **15 Years**

(21) Appl. No.: **29/536,247**

(22) Filed: **Aug. 14, 2015**

(51) **LOC (10) Cl.** ..... **06-02**

(52) **U.S. Cl.**  
USPC ..... **D6/393**

(58) **Field of Classification Search**  
USPC ..... D6/329, 331-335, 344, 347, 348, 354,  
D6/360-362, 371-375, 377, 379,  
D6/382-395, 406.1, 406.2, 406.3, 406.6,  
D6/667, 673, 715, 716, 716.1, 716.4,  
D6/716.5, 716.6, 716.7, 716.8, 718.1,  
D6/718.11, 718.12, 718.13, 718.14,  
D6/718.21, 718.22, 718.23, 718.2, 718.26,  
D6/718.28, 718.29, 718.3  
CPC ..... A47C 19/00; A47C 19/02; A47C 19/04;  
A47C 19/20; A47C 19/22; A47C 19/005;  
A47C 19/02; A47C 19/021; A47C  
19/022; A47C 19/025; A47C 19/027;  
A47C 19/028; A47C 19/202

See application file for complete search history.

(56) **References Cited**

**U.S. PATENT DOCUMENTS**

421,656 A 2/1890 Blanken  
D26,185 S \* 10/1896 Palmer ..... D6/334

(Continued)

**OTHER PUBLICATIONS**

Raleigh Upholstered Wingback Bed & Headboard (available online Mar. 27, 2014) Retrieved from the internet Oct. 19, 2016, retrieved from the internet URL: <https://web.archive.org/web/20140327215304/http://www.potterybarn.com/products/raleigh-nailhead-wingback-bed-headboard/>.\*

(Continued)

*Primary Examiner* — Garth Rademaker

*Assistant Examiner* — Richard Kearney

(74) *Attorney, Agent, or Firm* — Schwegman Lundberg & Woessner, P.A.

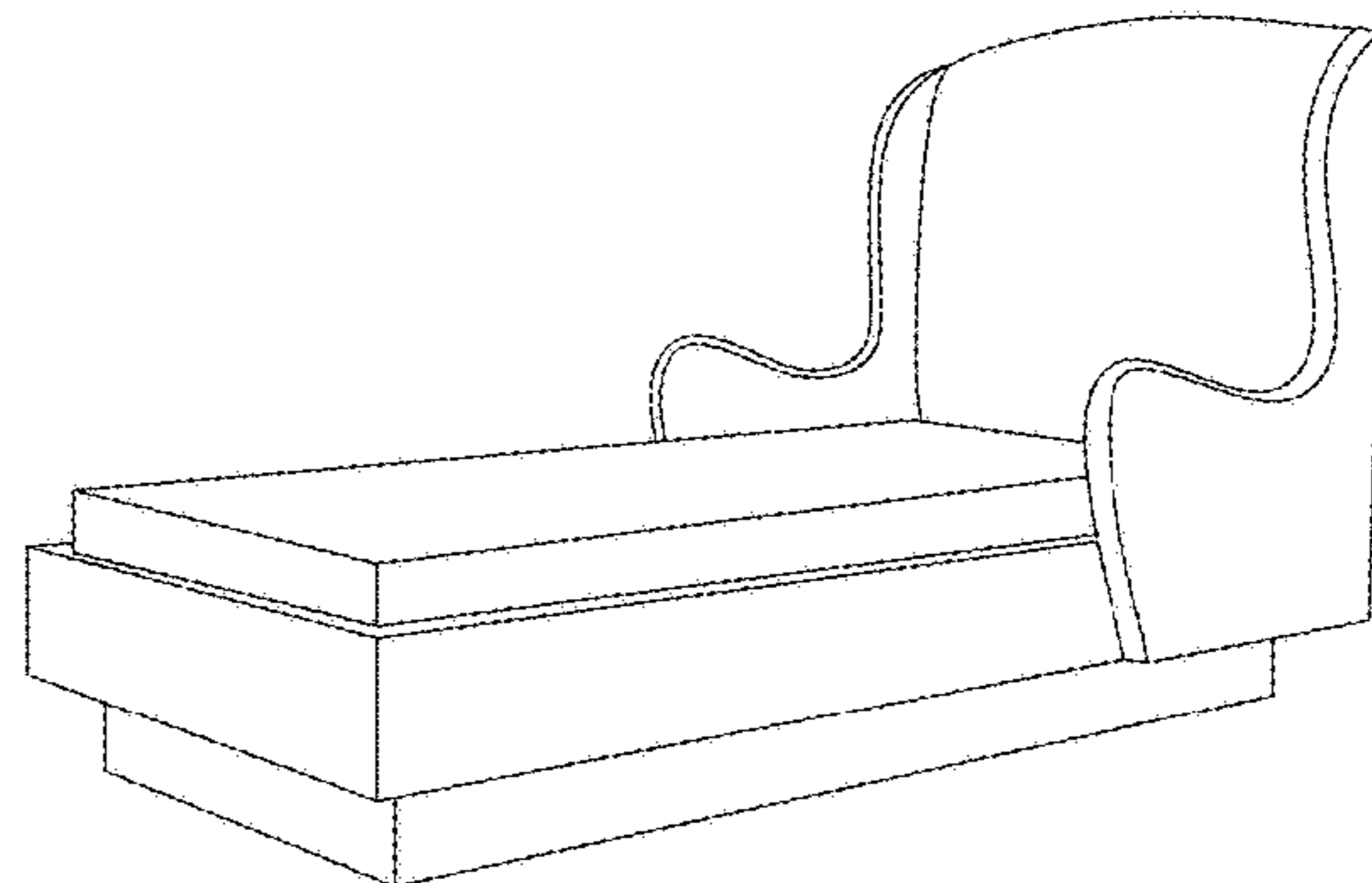
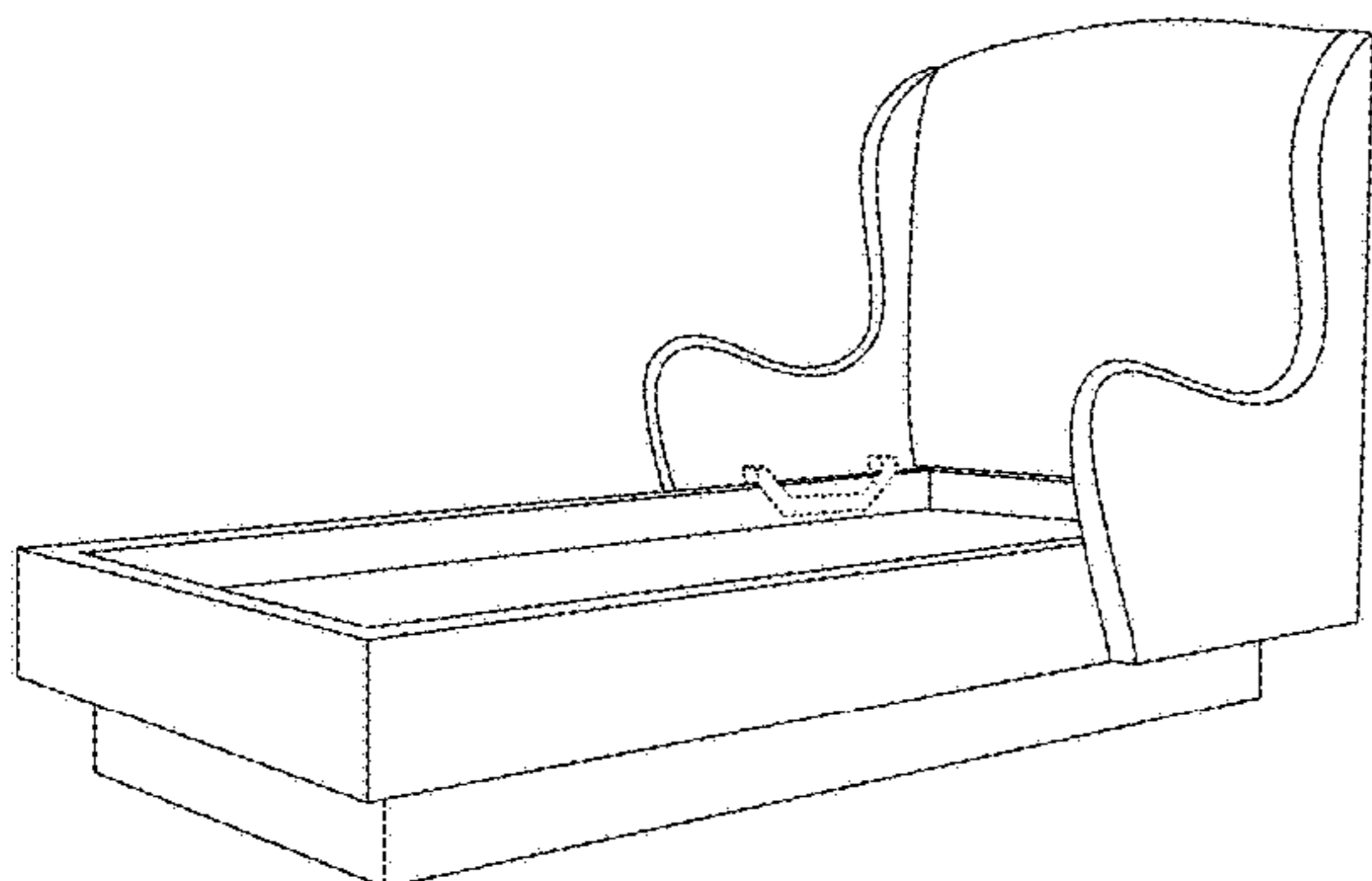
(57) **CLAIM**

The ornamental design for a bed, as shown and described.

**DESCRIPTION**

FIG. 1 is a perspective view of a bed, shown without the mattress for completeness of illustration;  
FIG. 2 is a front view of the bed of FIG. 1.  
FIG. 3 is a second perspective view of the bed of FIG. 1 with an arm rest separated from the bed.  
FIG. 4 is a partial perspective view of the bed of FIG. 1 with both arm rests separated from the bed.  
FIG. 5 is a top view of the bed of FIG. 1.  
FIG. 6 is a side view of the bed of FIG. 1.  
FIG. 7 is a rear view of the bed of FIG. 1.  
FIG. 8 is a side view of an arm rest of the bed depicted in FIG. 1.  
FIG. 9 is a side view of the bed of FIG. 1 including a mattress.  
FIG. 10 is a perspective view of the bed of FIG. 1 including a mattress; and,  
FIG. 11 is a partial perspective view of the bed of FIG. 1 including a mattress.  
The broken lines depict environmental subject matter only and form no part of the claimed design.

**1 Claim, 5 Drawing Sheets**



(56)

**References Cited**

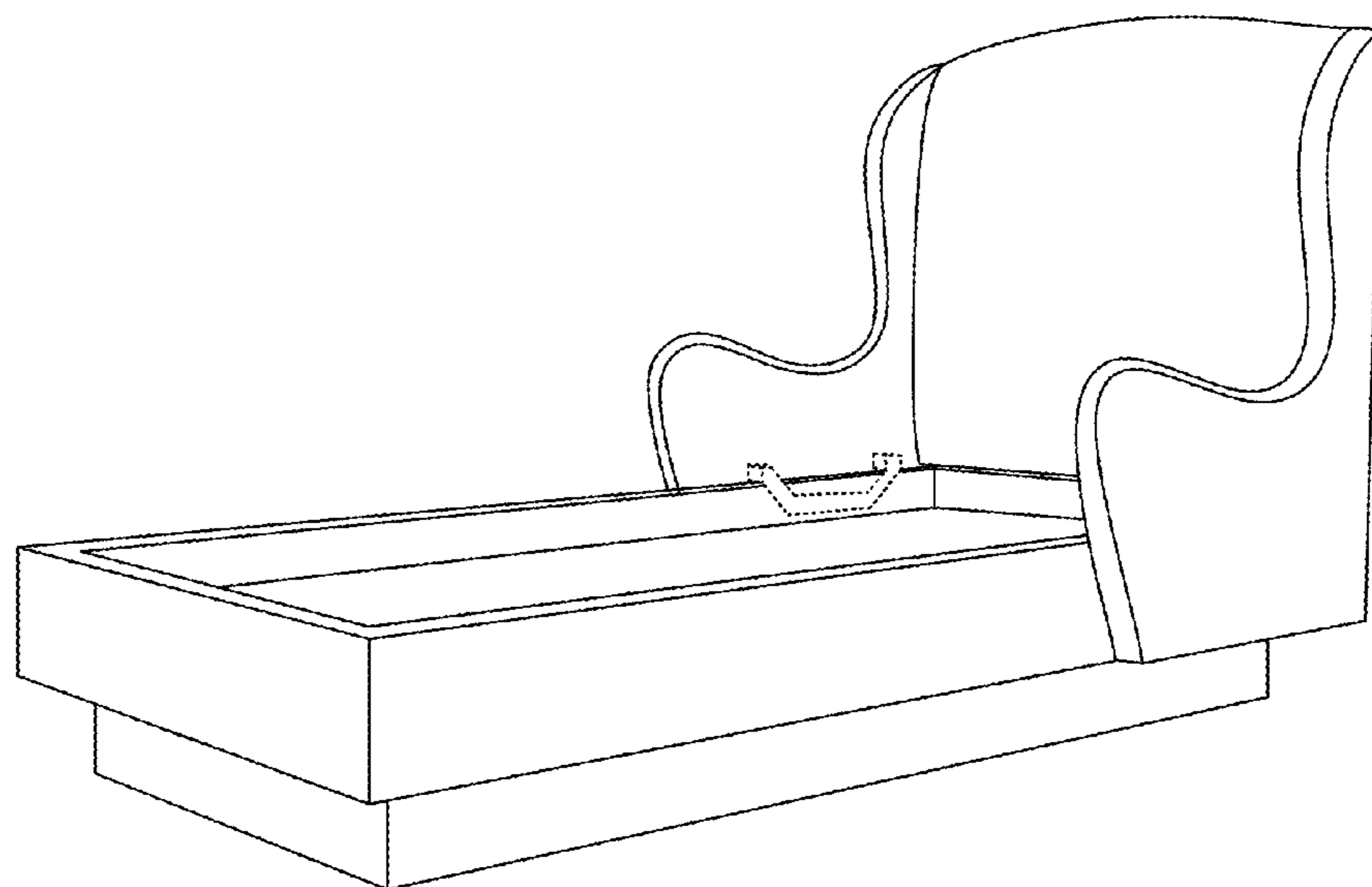
U.S. PATENT DOCUMENTS

D94,830 S \* 3/1935 Granovsky ..... D6/335  
3,093,838 A 6/1963 Beasley  
D309,642 S \* 7/1990 MacVeigh ..... D21/520  
D434,237 S \* 11/2000 Binder ..... D6/361  
D437,128 S \* 2/2001 Binder ..... D6/361  
D477,478 S \* 7/2003 Davis ..... D6/716  
D505,560 S \* 5/2005 Hutton ..... D6/361  
D507,427 S \* 7/2005 Shamie ..... D6/383  
D660,045 S \* 5/2012 Lenney ..... D6/393  
D690,121 S \* 9/2013 Banda ..... D6/361  
D707,054 S \* 6/2014 Beucler ..... D6/361  
8,777,319 B2 7/2014 Brandtner et al.

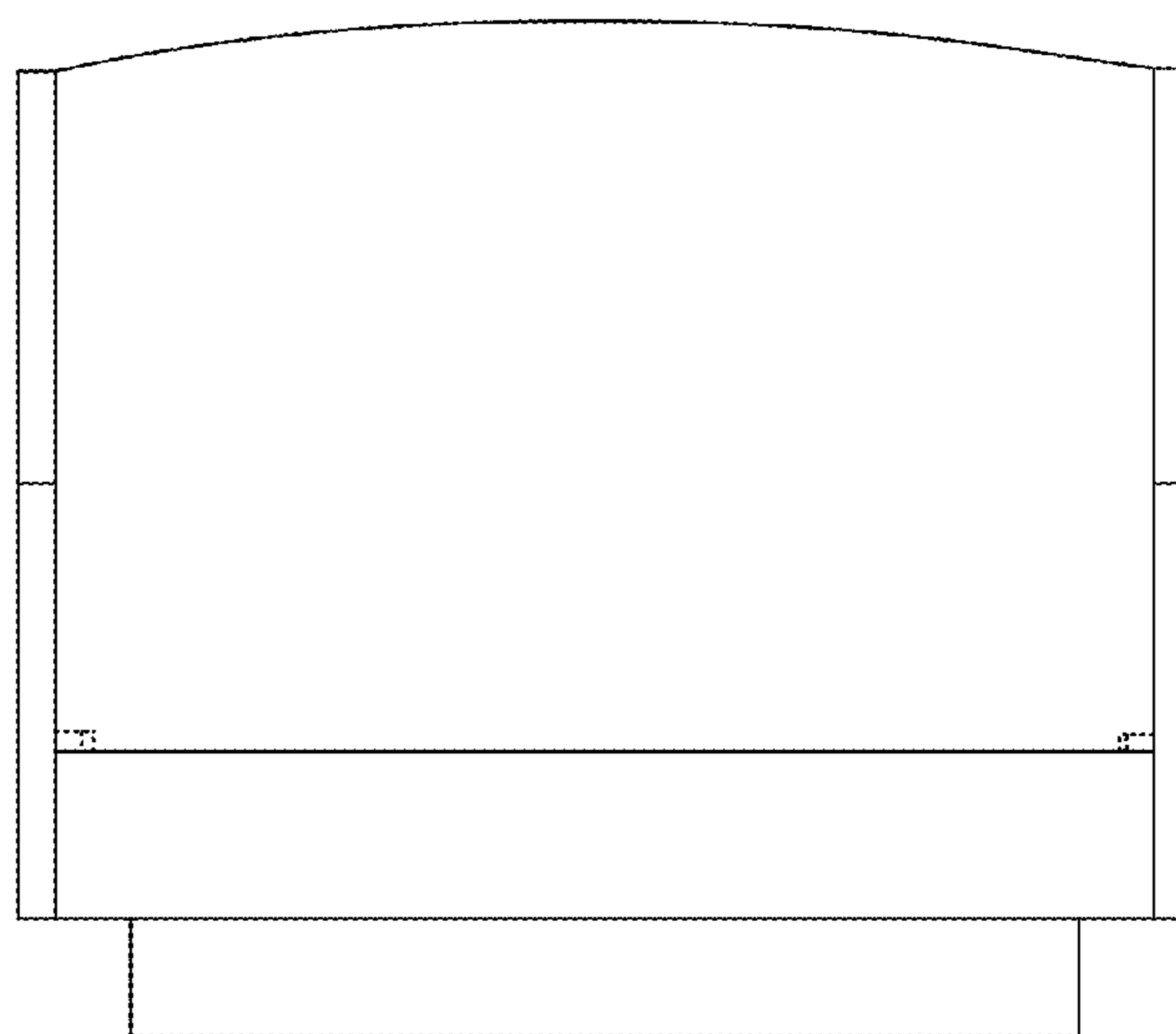
OTHER PUBLICATIONS

Junior Bed (available online 2011) Retrieved from the internet Oct. 19, 2016, retrieved from the internet URL: [http://madameherve.typepad.com/madame\\_herv/2011/01/new-year-resolutions.html](http://madameherve.typepad.com/madame_herv/2011/01/new-year-resolutions.html).  
\* "Busunge Extendable Bed", Inter Ikea Systems B.V. 2013-AA-965238-4, (Feb. 5, 2014), 20 pgs.

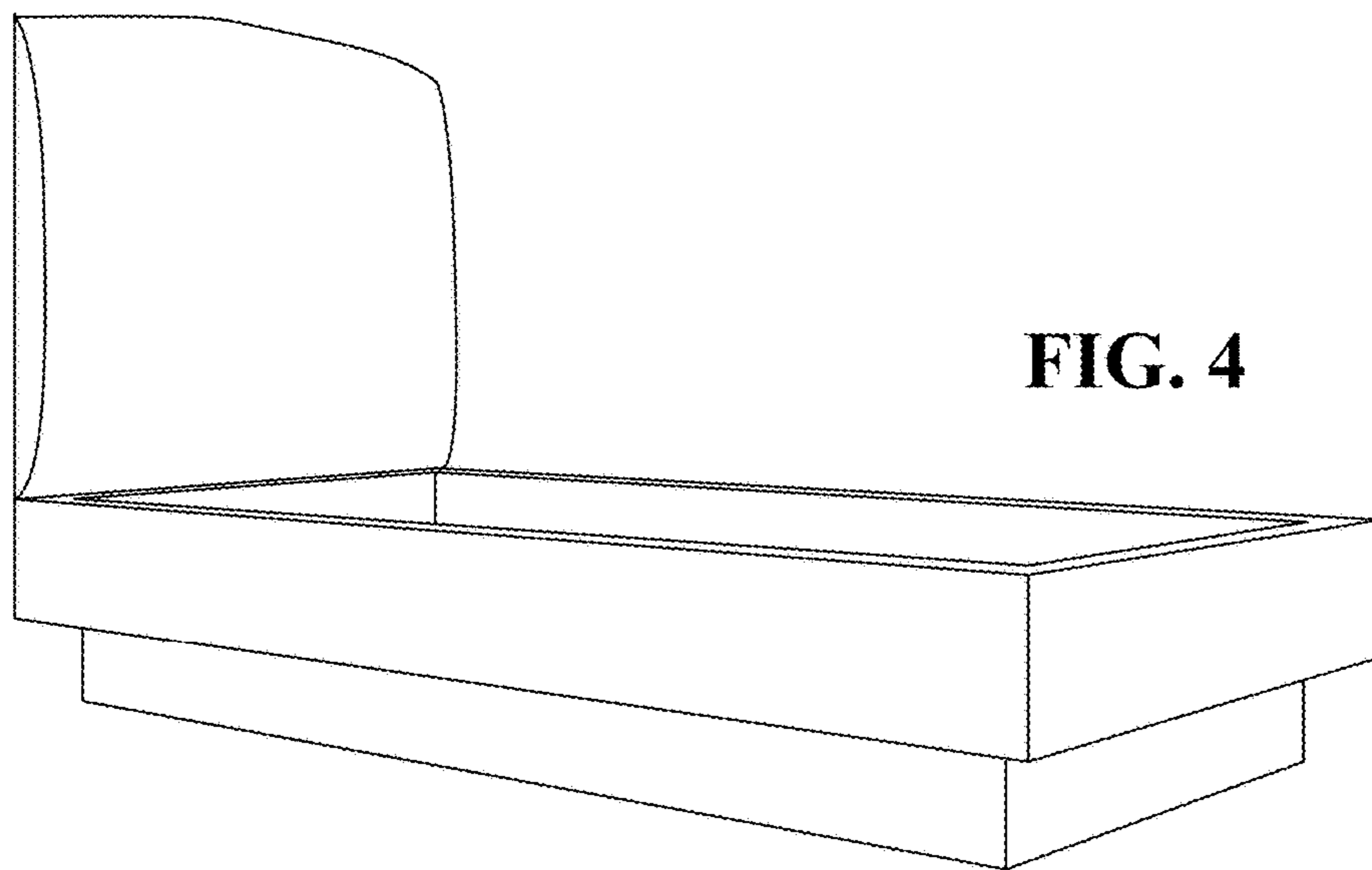
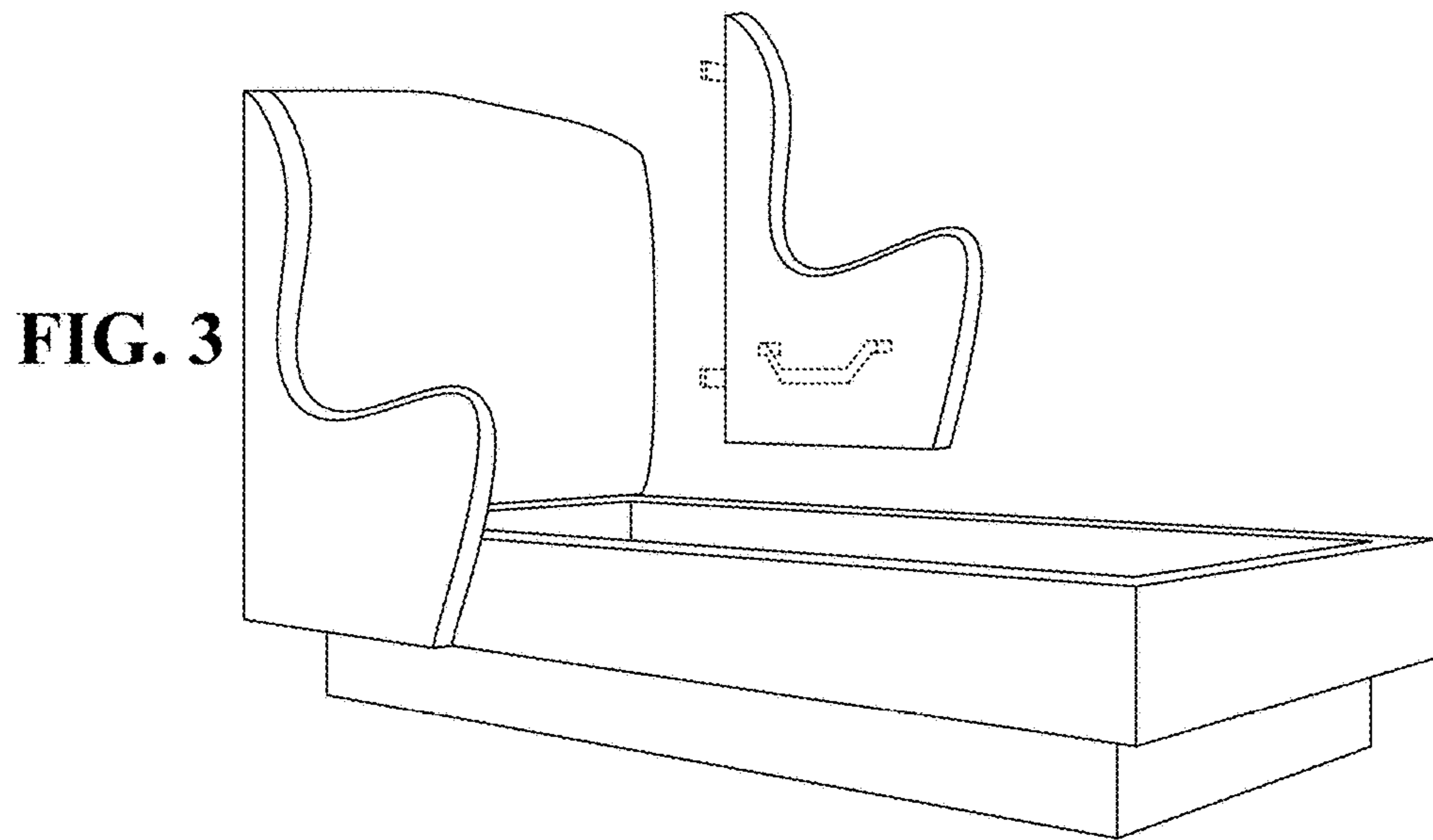
\* cited by examiner

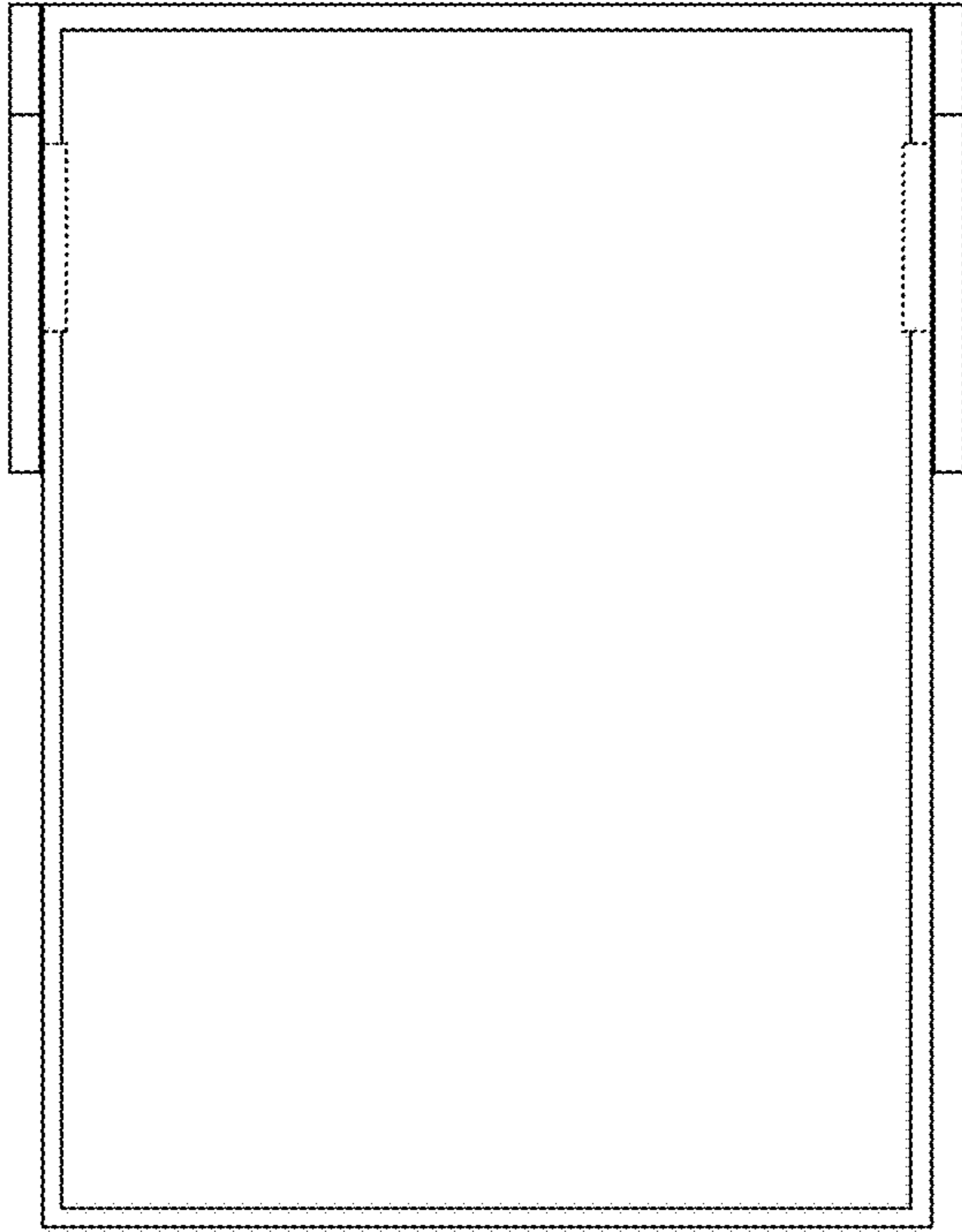


**FIG. 1**

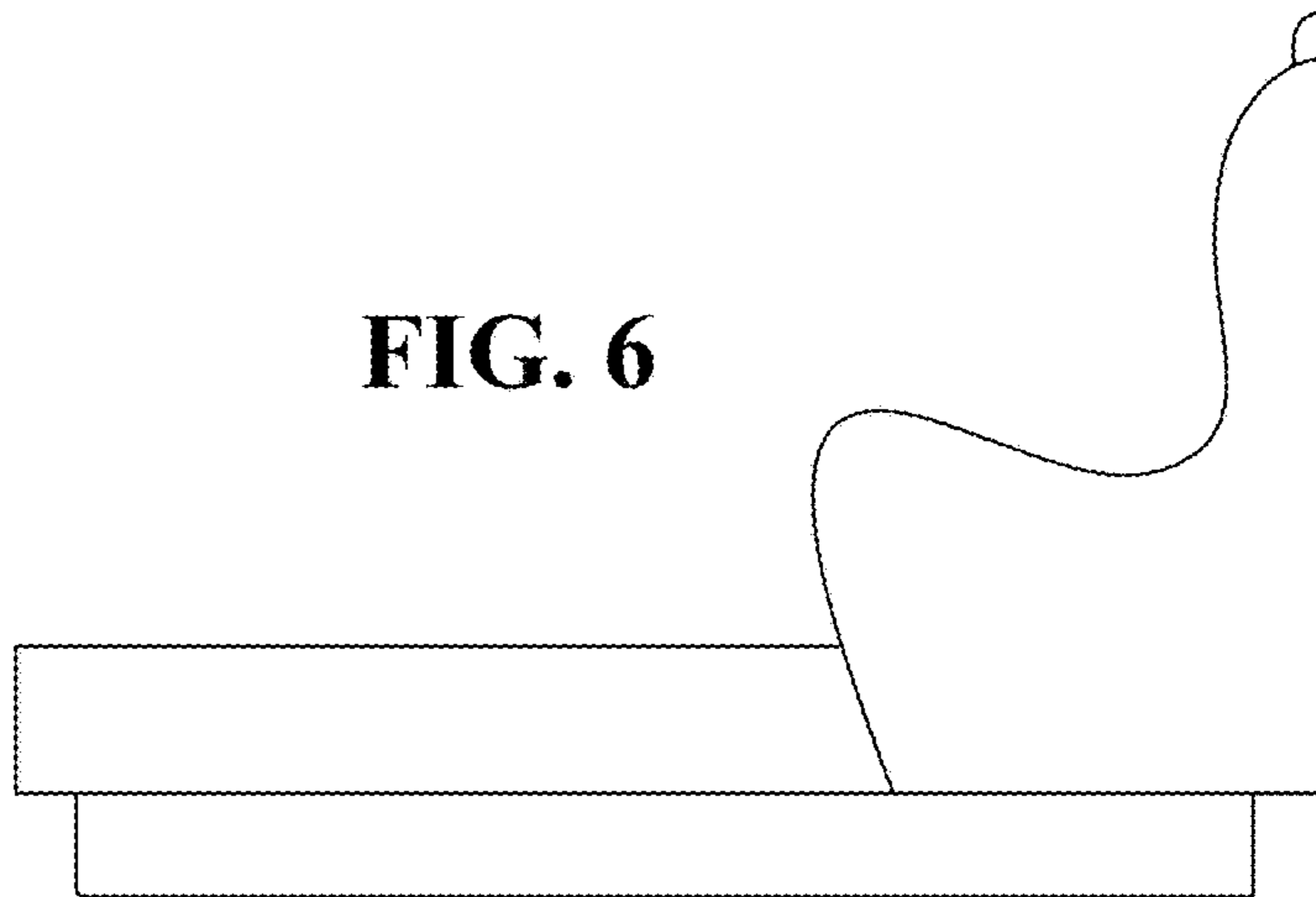


**FIG. 2**



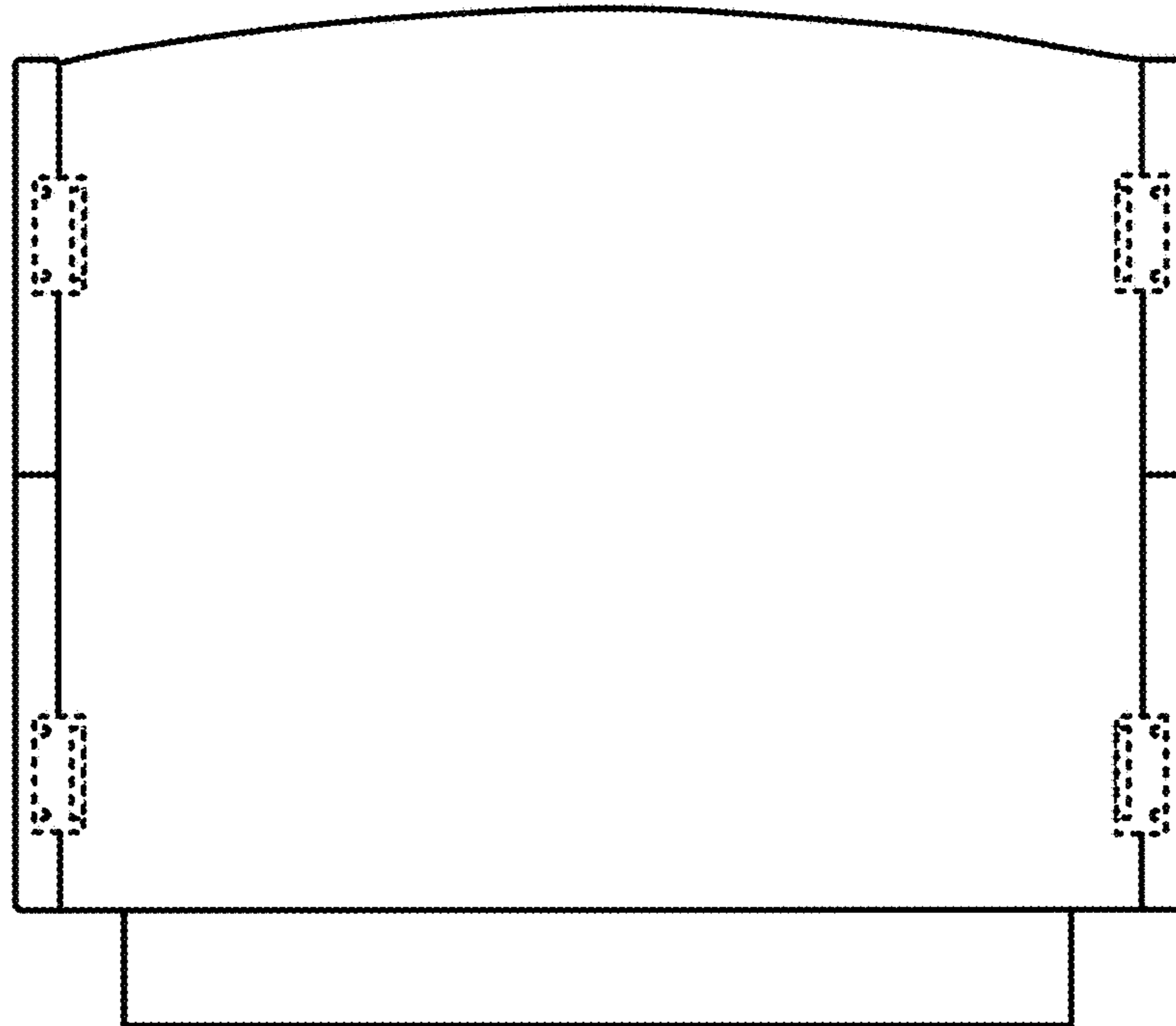


**FIG. 5**

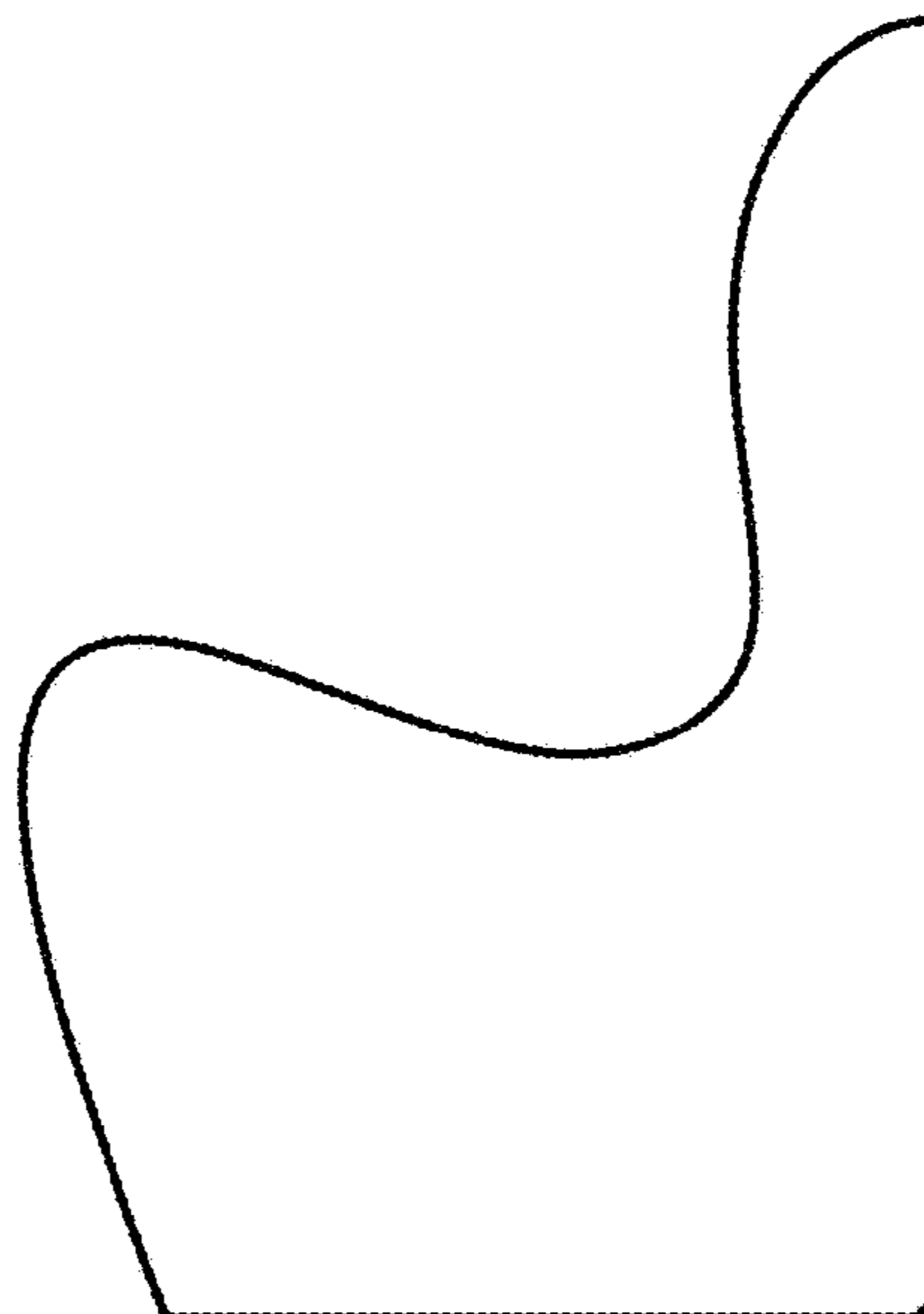


**FIG. 6**

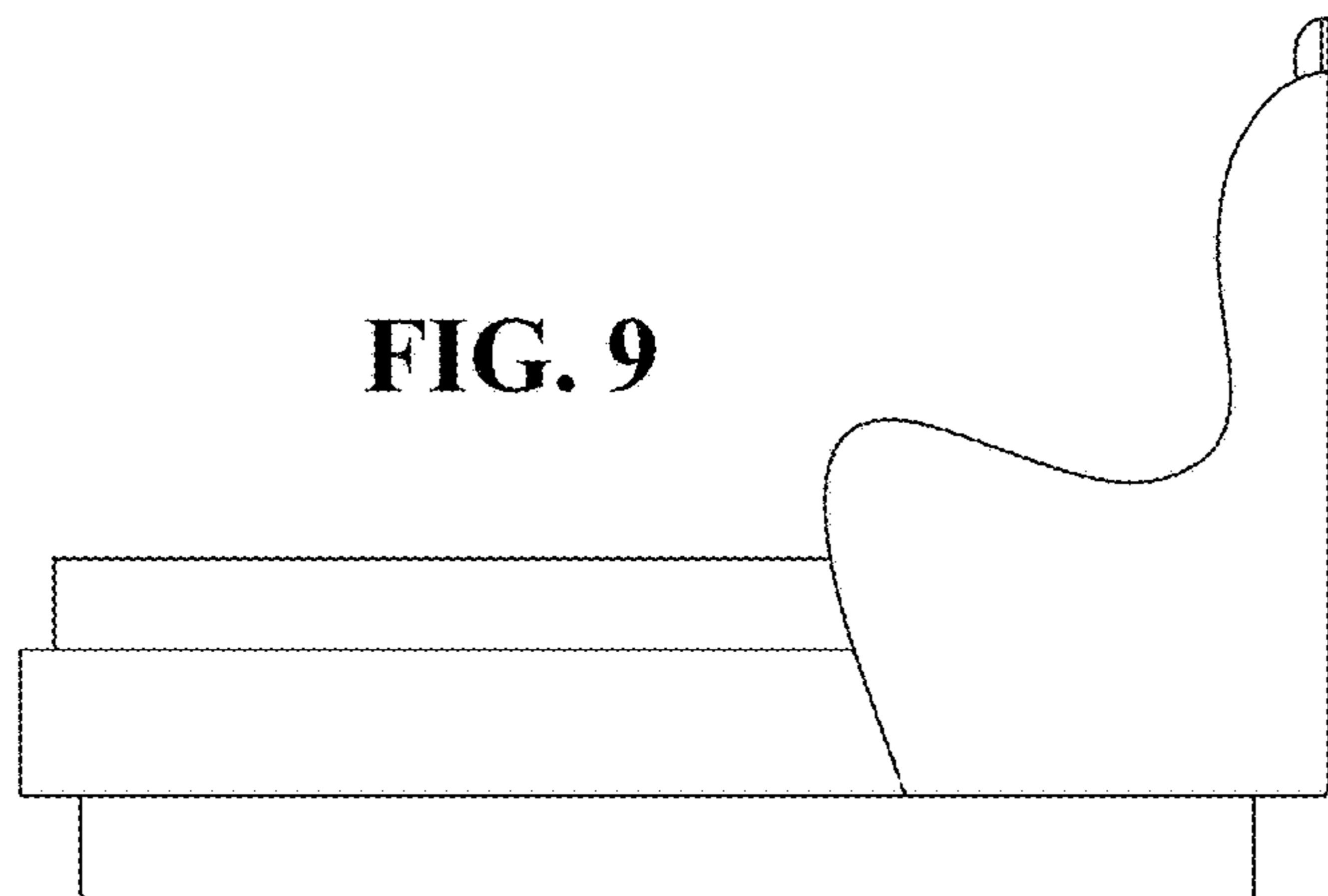
**FIG. 7**



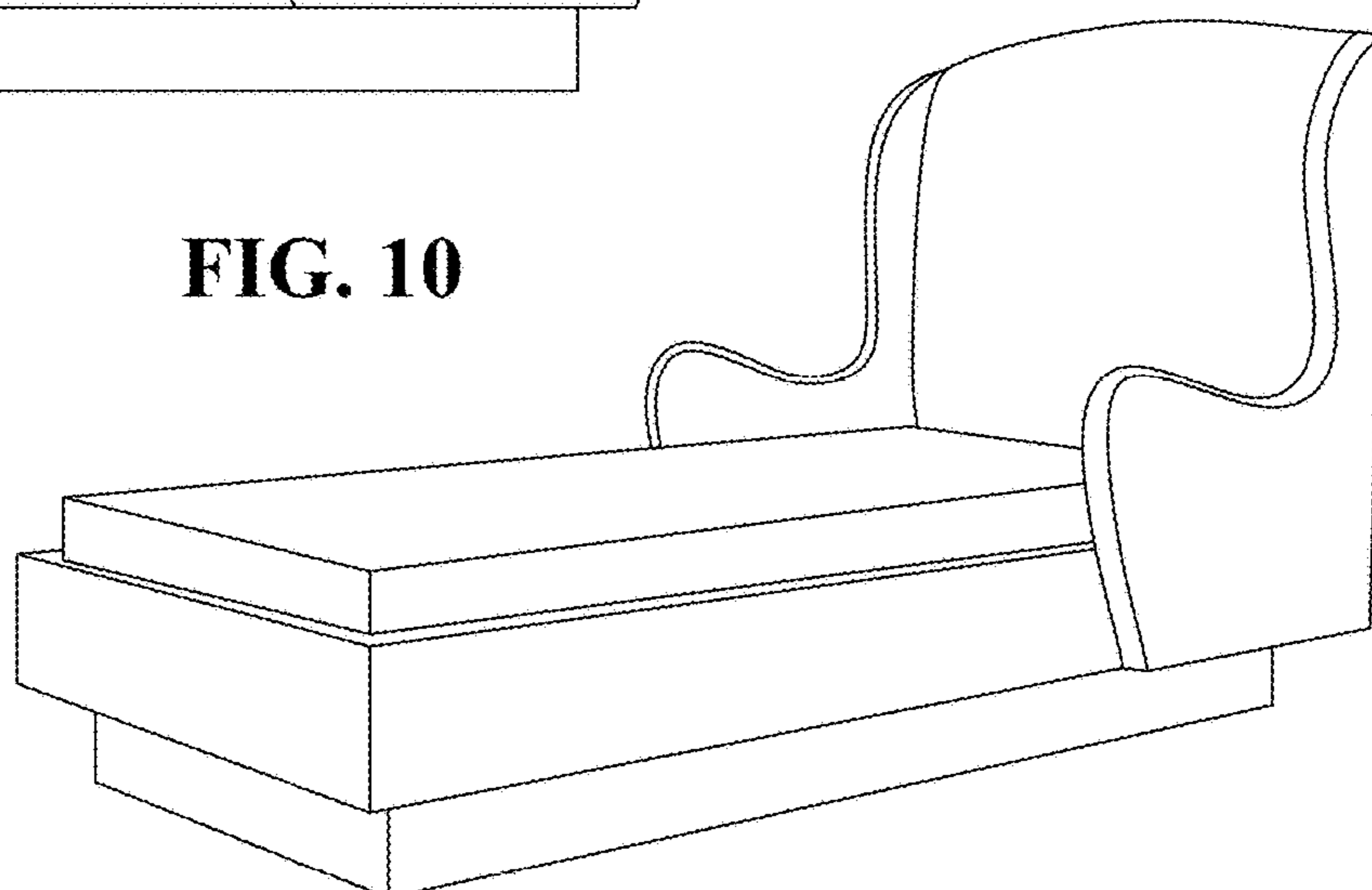
**FIG. 8**



**FIG. 9**



**FIG. 10**



**FIG. 11**

