



US00D802322S

(12) **United States Design Patent** (10) **Patent No.:** **US D802,322 S**  
**Velez** (45) **Date of Patent:** **\*\* Nov. 14, 2017**

- (54) **SOFA**
- (71) Applicant: **Holly Hunt Enterprises, Inc.**, Chicago, IL (US)
- (72) Inventor: **Alberto Velez**, Chicago, IL (US)
- (73) Assignee: **Holly Hunt Enterprises, Inc.**, Chicago, IL (US)
- (\*\*) Term: **15 Years**
- (21) Appl. No.: **29/565,269**
- (22) Filed: **May 19, 2016**
- (51) **LOC (10) Cl.** ..... **06-01**
- (52) **U.S. Cl.**  
USPC ..... **D6/381**
- (58) **Field of Classification Search**  
USPC ..... D6/334, 335, 336, 338, 342, 360, 367, D6/368, 369, 371-375, 377, 378, 381  
CPC ..... A47C 13/005; A47C 7/002; A47C 17/132  
See application file for complete search history.

(56) **References Cited**

**U.S. PATENT DOCUMENTS**

- D167,124 S \* 6/1952 Tuttle ..... D6/381
- D193,929 S \* 10/1962 Ritts ..... D6/369
- 3,127,216 A \* 3/1964 Clouse ..... A47C 7/282  
297/134
- D498,074 S \* 11/2004 Gomez ..... D6/381

- D580,670 S \* 11/2008 Weiss ..... D6/361
- D635,793 S \* 4/2011 Kanthasamy ..... D6/381
- D635,794 S \* 4/2011 Kanthasamy ..... D6/381
- 8,438,716 B2 \* 5/2013 Brandtner ..... A47B 91/005  
29/525.01
- D686,012 S \* 7/2013 Korb ..... D6/708
- D731,198 S \* 6/2015 Podsiadlo ..... D6/381
- D781,608 S \* 3/2017 King ..... D6/371
- D785,356 S \* 5/2017 Massaud ..... D6/371

\* cited by examiner

*Primary Examiner* — Deanna L Pratt

(74) *Attorney, Agent, or Firm* — Blank Rome LLP

(57) **CLAIM**

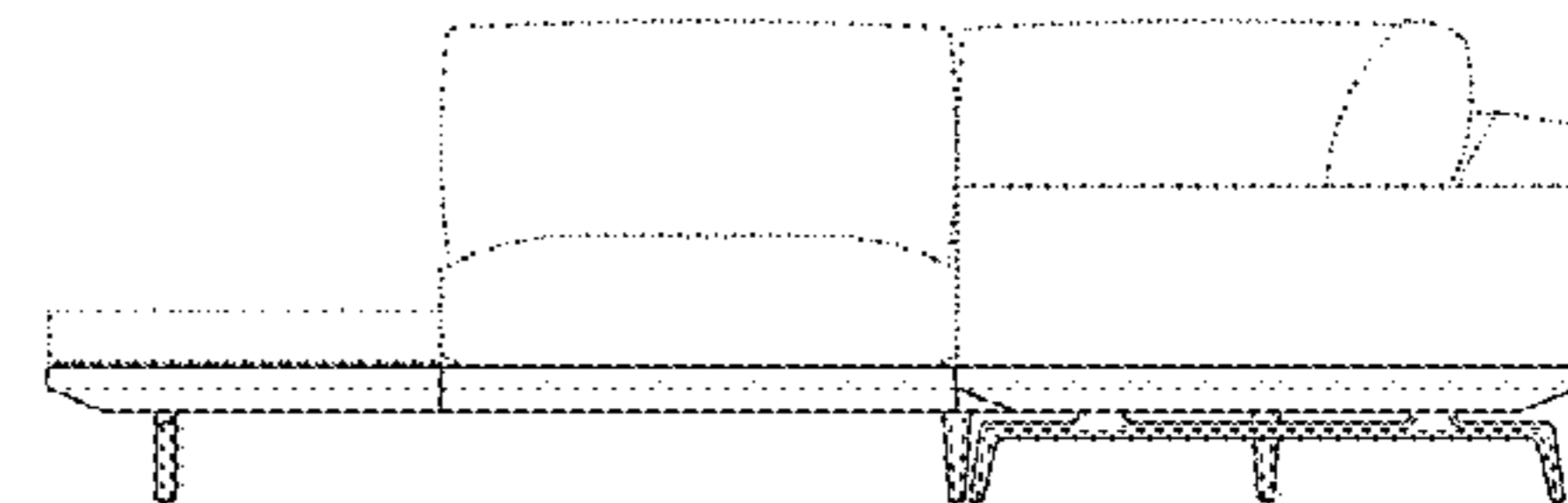
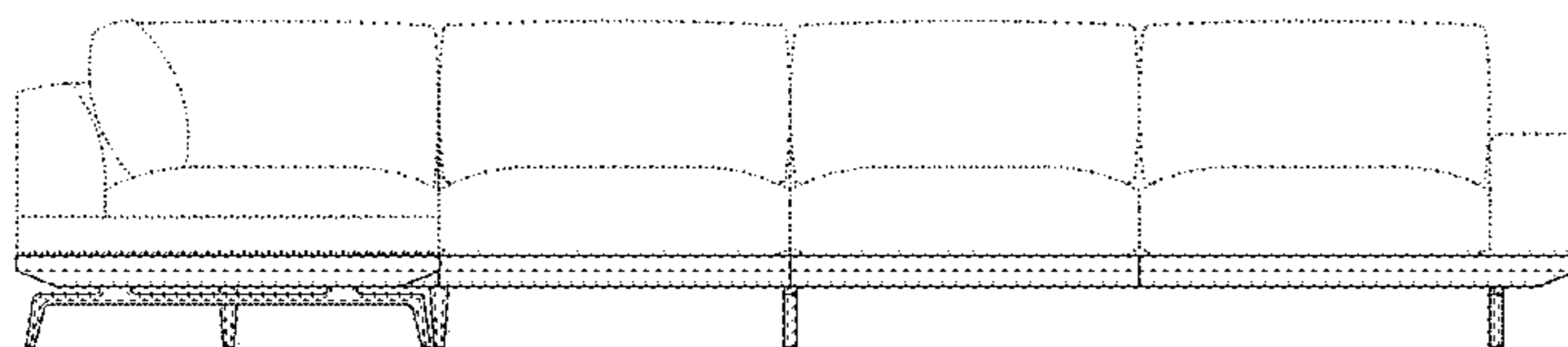
The ornamental design for a sofa, as shown and described.

**DESCRIPTION**

FIG. 1 is a perspective view of a sofa in accordance with the present design;  
 FIG. 2 is a front view of the sofa illustrated in FIG. 1;  
 FIG. 3 is a rear view of the sofa illustrated in FIG. 1;  
 FIG. 4 is a right side view of the sofa illustrated in FIG. 1;  
 FIG. 5 is a left side view of the sofa illustrated in FIG. 1;  
 FIG. 6 is a top view of the sofa illustrated in FIG. 1;  
 FIG. 7 is a bottom view of the sofa illustrated in FIG. 1; and,  
 FIG. 8 is a left side view of the right-most seat section of FIG. 1, shown in isolation.

The broken lines in the drawings illustrate portions of the sofa that form no part of the claimed design.

**1 Claim, 7 Drawing Sheets**



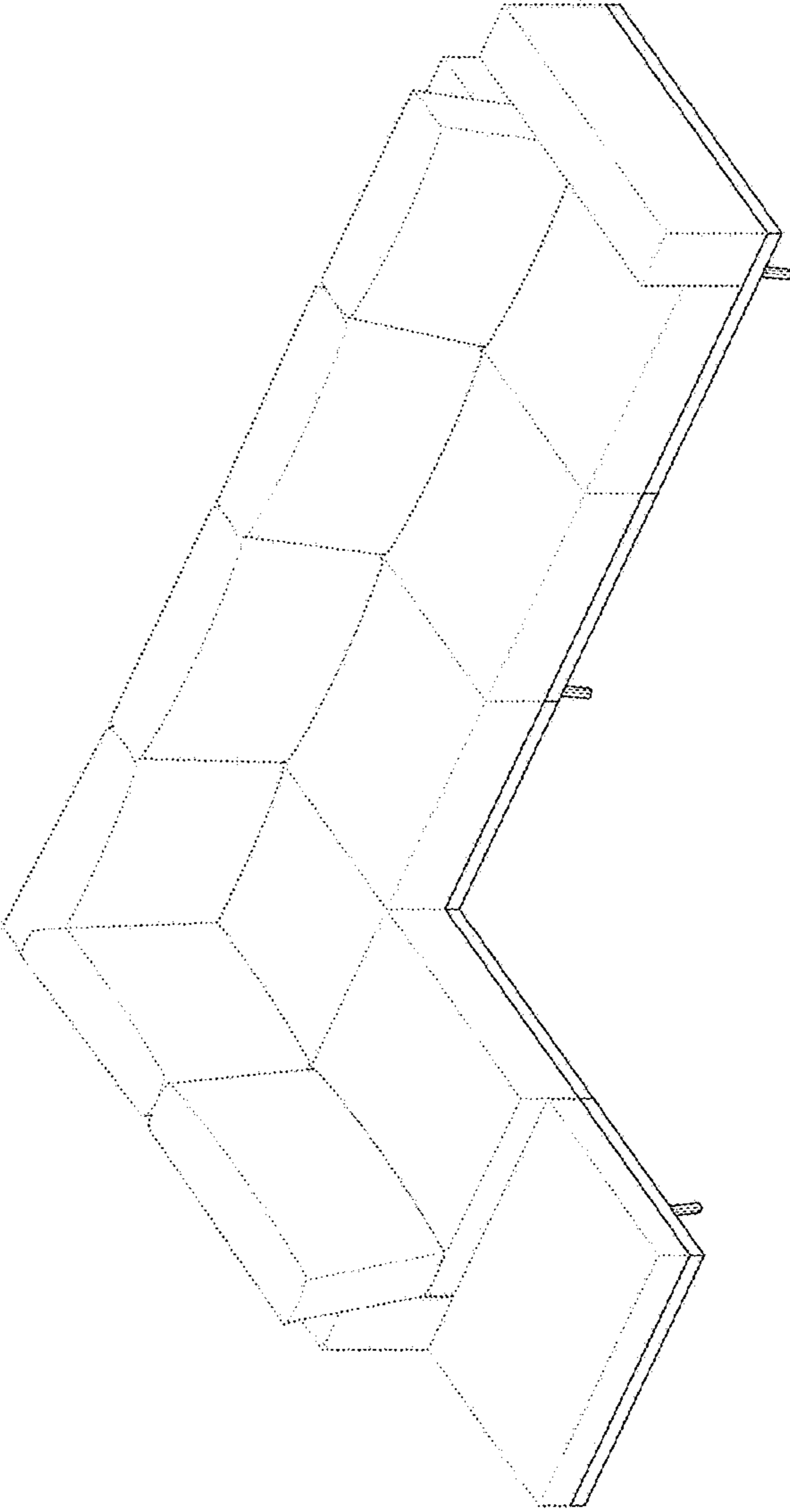


FIG. 1

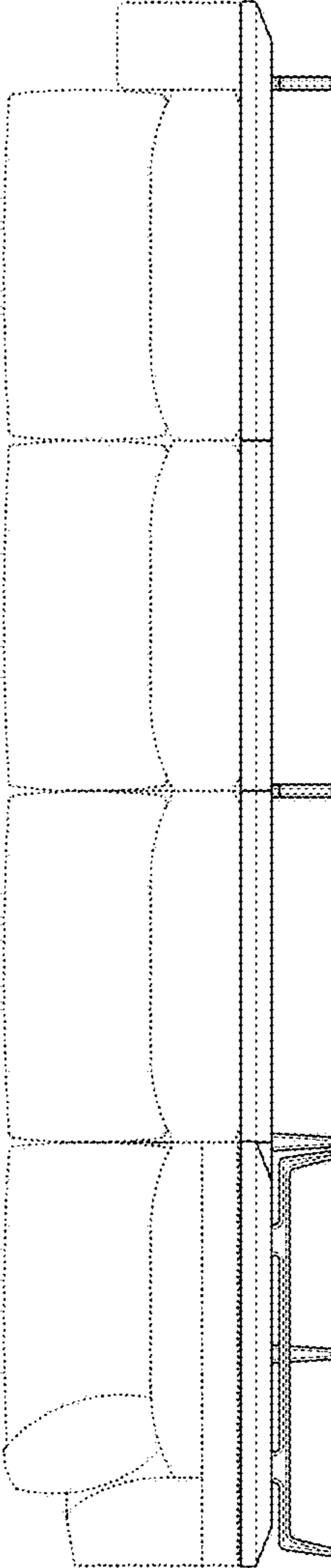


FIG. 2

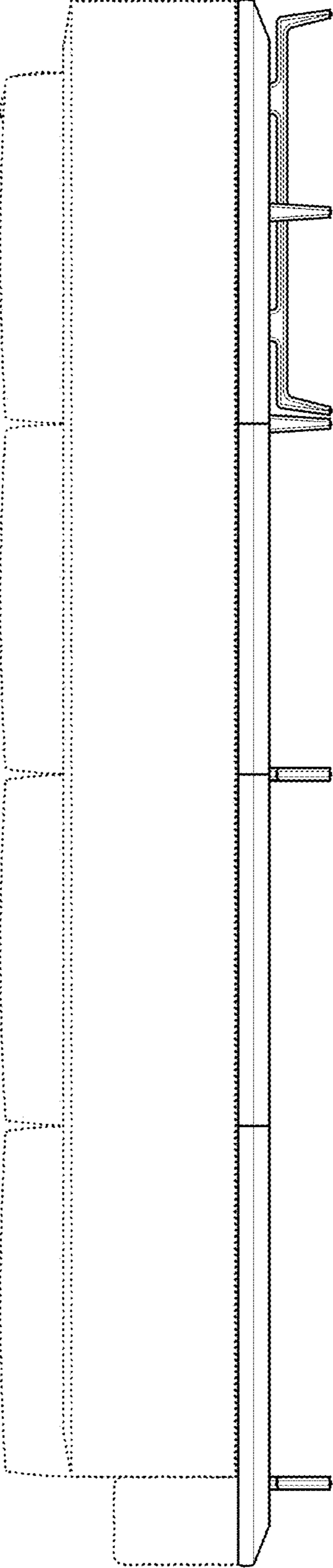


FIG. 3

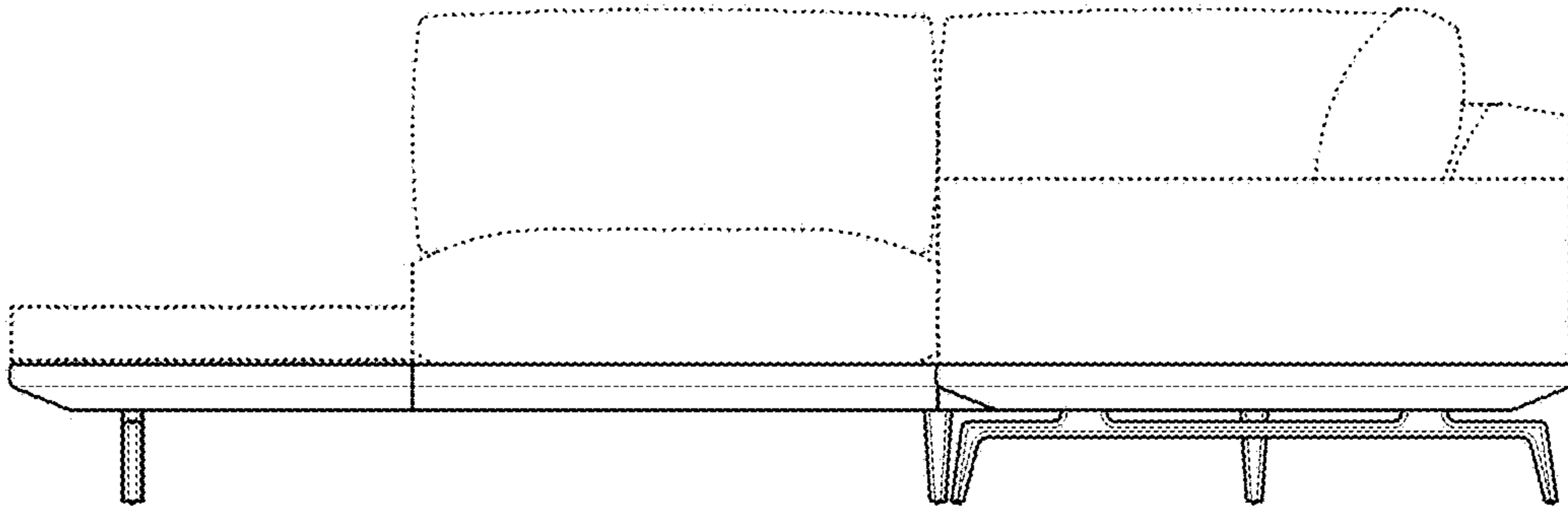


FIG. 4

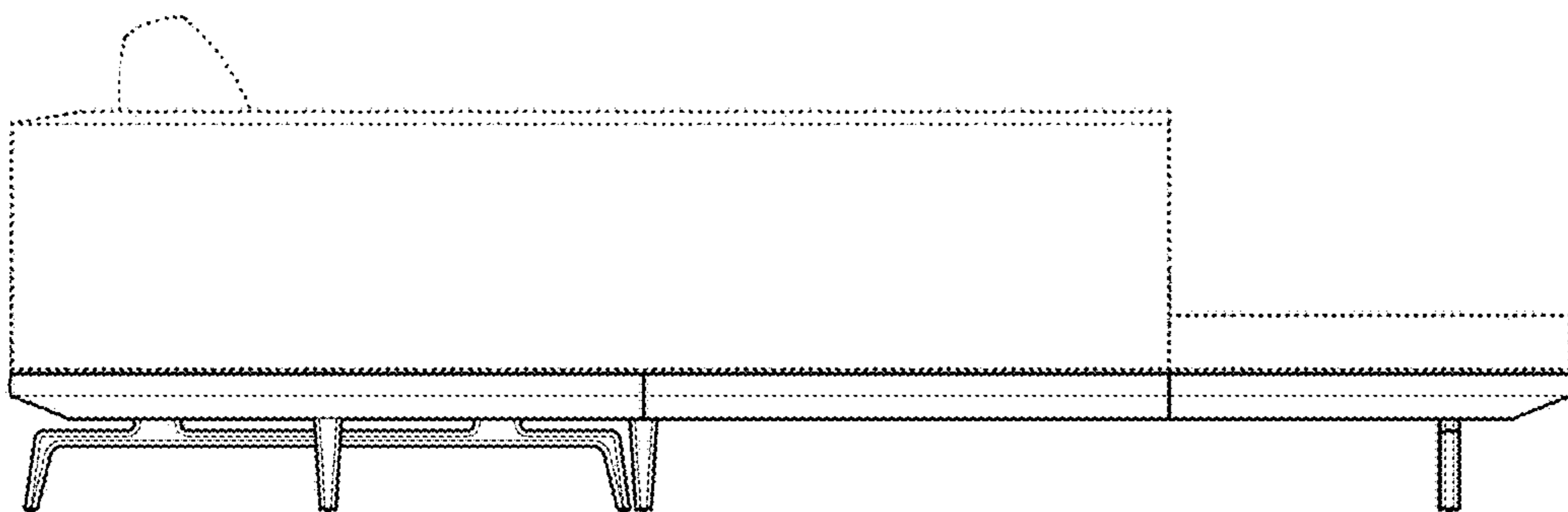


FIG. 5

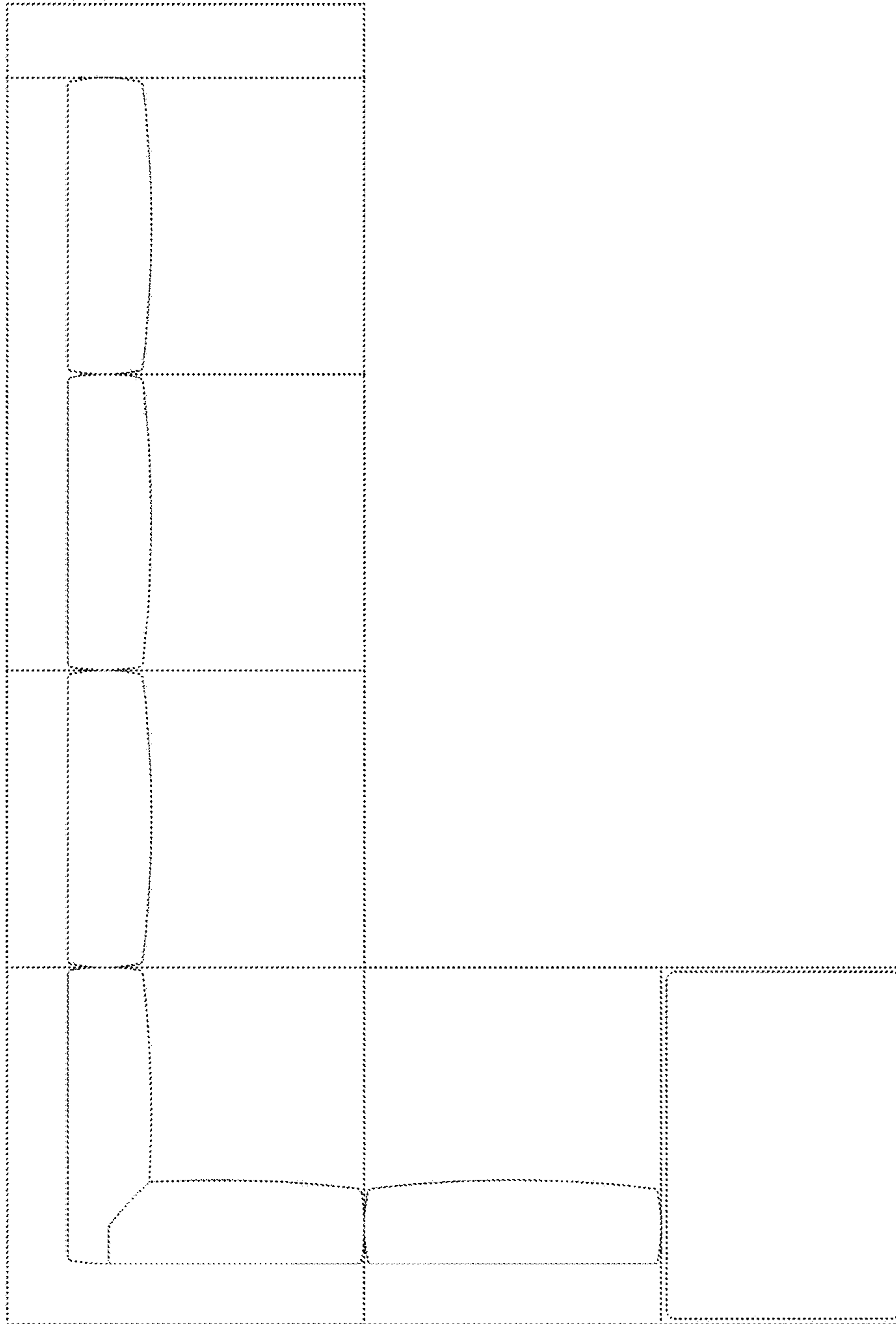


FIG. 6

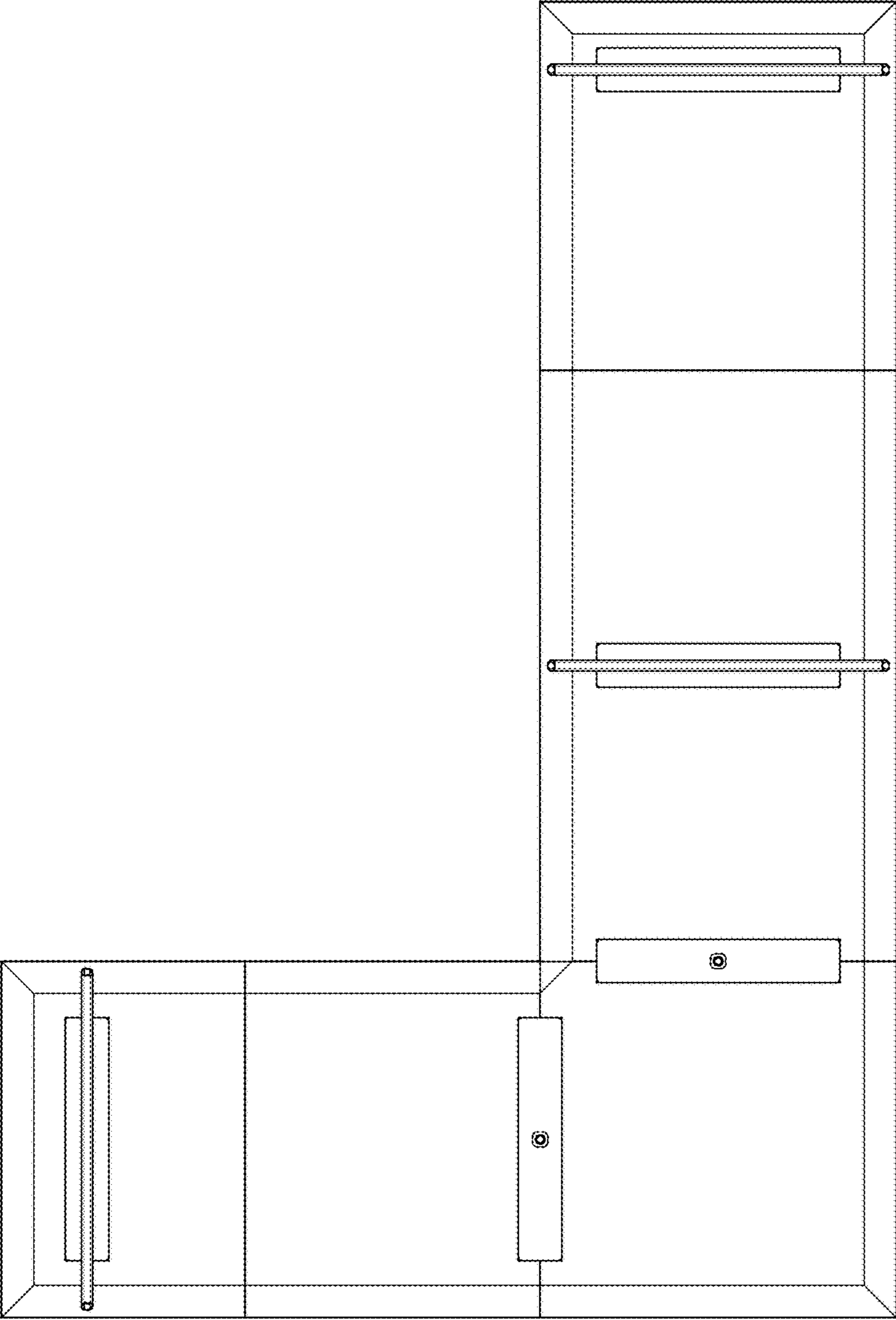


FIG. 7

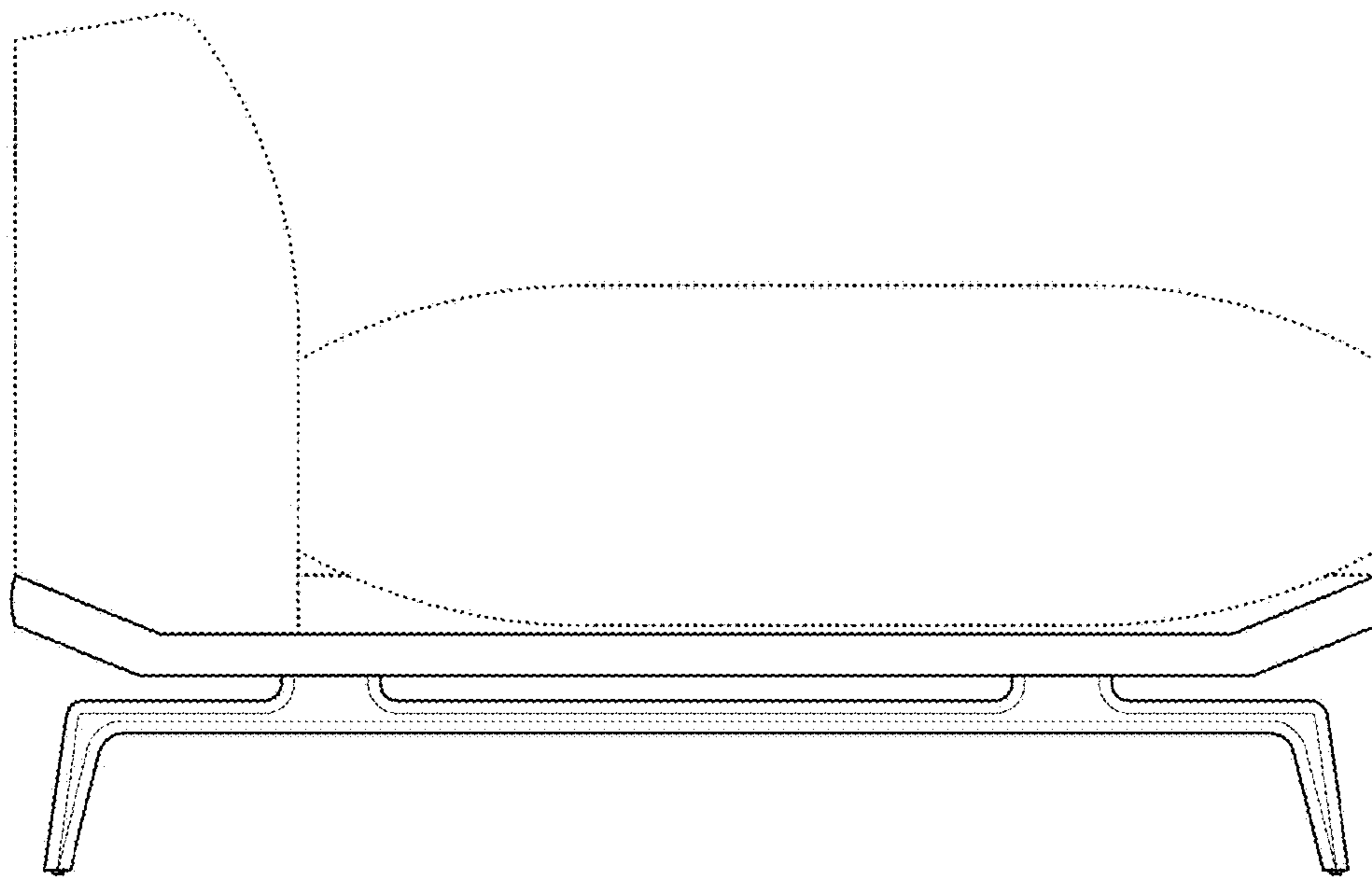


FIG. 8