



US00D802321S

(12) **United States Design Patent**
Martinez

(10) **Patent No.:** **US D802,321 S**

(45) **Date of Patent:** **** Nov. 14, 2017**

- (54) **CHAIR**
- (71) Applicant: **RESINAS OLOT, S.L.**, Les Preses (ES)
- (72) Inventor: **Josep Llusca Martinez**, Barcelona (ES)
- (73) Assignee: **Resinas Olot, S.L.**, Les Preses (ES)
- (**) Term: **15 Years**
- (21) Appl. No.: **29/589,714**
- (22) Filed: **Jan. 4, 2017**

- 3,999,802 A * 12/1976 Powers A47C 5/04
297/239
- D270,406 S 9/1983 Schultz
- 4,548,441 A 10/1985 Ogg
- 4,648,653 A 3/1987 Rowland
- D390,024 S 2/1998 DeJule
- D430,415 S 9/2000 Schultz
- D433,578 S 11/2000 Saul
- D464,208 S * 10/2002 Kwon D6/373
- D518,304 S * 4/2006 Crescenti D6/373
- D519,294 S 4/2006 Frenkler et al.
- D564,770 S * 3/2008 Alter Molina D6/371
- D566,412 S 4/2008 Van Severen
- D592,876 S 5/2009 Smith et al.
- D593,761 S 6/2009 Kaloustian

(Continued)

Related U.S. Application Data

- (62) Division of application No. 29/514,652, filed on Jan. 14, 2015, now Pat. No. Des. 779,220.
- (51) **LOC (10) Cl.** **06-01**
- (52) **U.S. Cl.**
USPC **D6/373**
- (58) **Field of Classification Search**
USPC D6/334-336, 360, 371, 372, 373, 374,
D6/375, 376, 379, 380, 716, 716.1, 716.2,
D6/716.4
CPC A47C 4/02; A47C 4/03; A47C 3/12; A47C
5/04; A47C 5/12; A47C 4/024; A47C
4/028; A47C 7/54
See application file for complete search history.

References Cited

U.S. PATENT DOCUMENTS

- D181,241 S 10/1957 Swanson
- D183,009 S 6/1958 Mackintosh
- D200,638 S 3/1965 Midyette, Jr.
- 3,278,227 A * 10/1966 Rowland A47C 4/02
297/239
- 3,284,136 A 11/1966 Harrison
- D213,438 S 3/1969 Koch

Primary Examiner — Mimosa De

(74) *Attorney, Agent, or Firm* — Lathrop Gage LLP

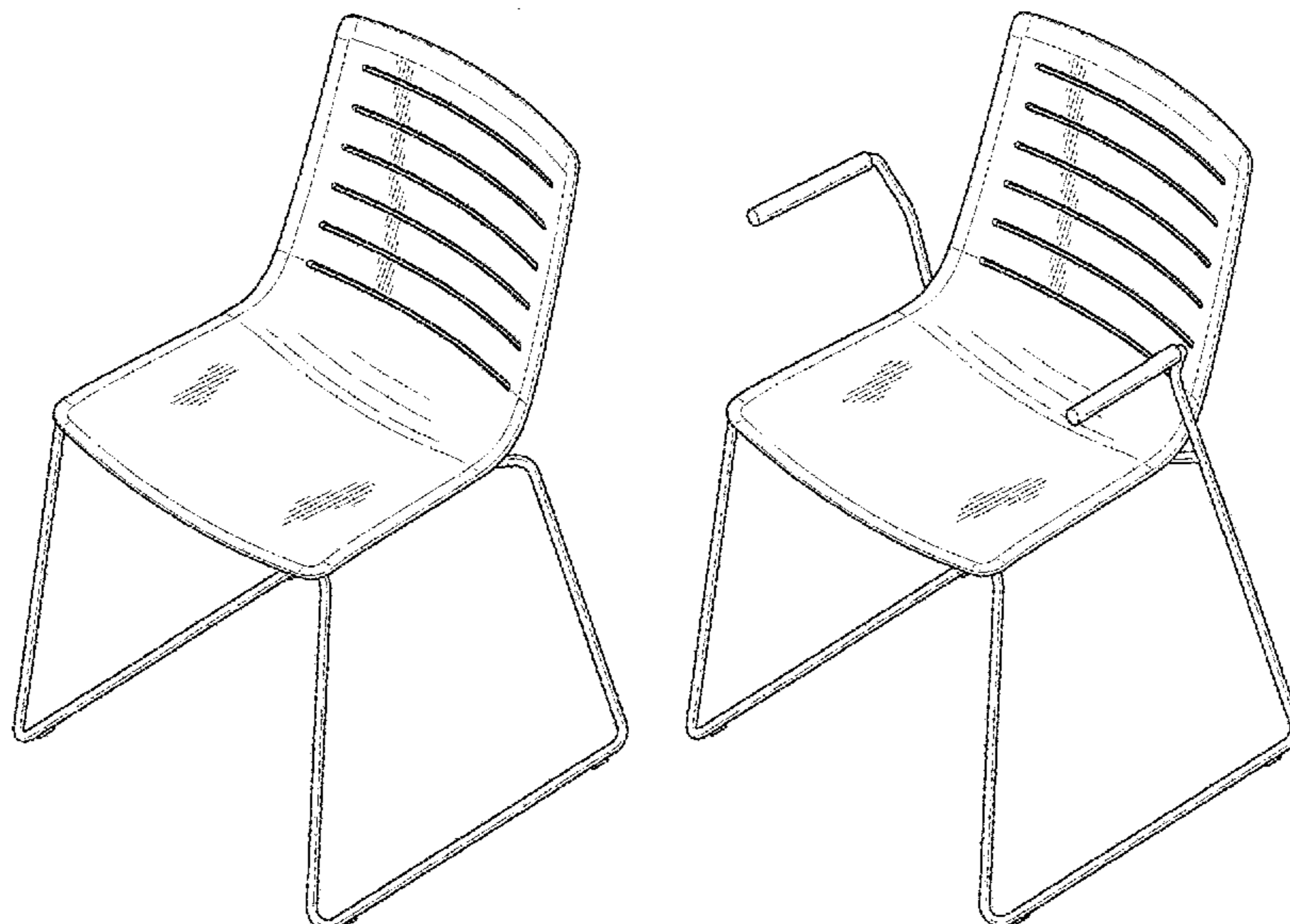
(57) **CLAIM**

The ornamental design for a chair, as shown and described.

DESCRIPTION

FIG. 1 is a perspective view of an embodiment of a chair.
 FIG. 2 is a front view of the chair of FIG. 1.
 FIG. 3 is a rear view of the chair of FIG. 1.
 FIG. 4 is right side view of the chair of FIG. 1.
 FIG. 5 is a left side view of the chair of FIG. 1.
 FIG. 6 is a top view of the chair of FIG. 1.
 FIG. 7 is a bottom view of the chair of FIG. 1.
 FIG. 8 is a perspective view of an alternative embodiment of the chair of FIG. 1.
 FIG. 9 is a front view of the chair of FIG. 8.
 FIG. 10 is a rear view of the chair of FIG. 8.
 FIG. 11 is right side view of the chair of FIG. 8.
 FIG. 12 is a left side view of the chair of FIG. 8.
 FIG. 13 is a top view of the chair of FIG. 8; and,
 FIG. 14 is a bottom view of the chair of FIG. 8.
 The broken lines in the figures are for illustrative purposes only and are not claimed as part of the design.

1 Claim, 8 Drawing Sheets



(56)

References Cited

U.S. PATENT DOCUMENTS

D620,273 S *	7/2010	Brooks	D6/373
D638,641 S *	5/2011	Piretti	D6/380
D648,562 S	11/2011	Lievore et al.	
D652,224 S *	1/2012	Ferrier	D6/373
D655,102 S *	3/2012	Yetman	D6/373
D656,754 S	4/2012	Starck	
D663,132 S	7/2012	Morrison	
D665,593 S	8/2012	Morrison	
D715,569 S	10/2014	Laub et al.	
D715,570 S	10/2014	Laub et al.	
D715,571 S	10/2014	Laub et al.	
D728,253 S *	5/2015	Lievore	D6/373
D728,955 S *	5/2015	Kotilainen	D6/373
D731,806 S *	6/2015	Olano Jauregui	D6/373
D753,945 S	4/2016	Johnson et al.	
D779,220 S *	2/2017	Martinez	D6/375

* cited by examiner

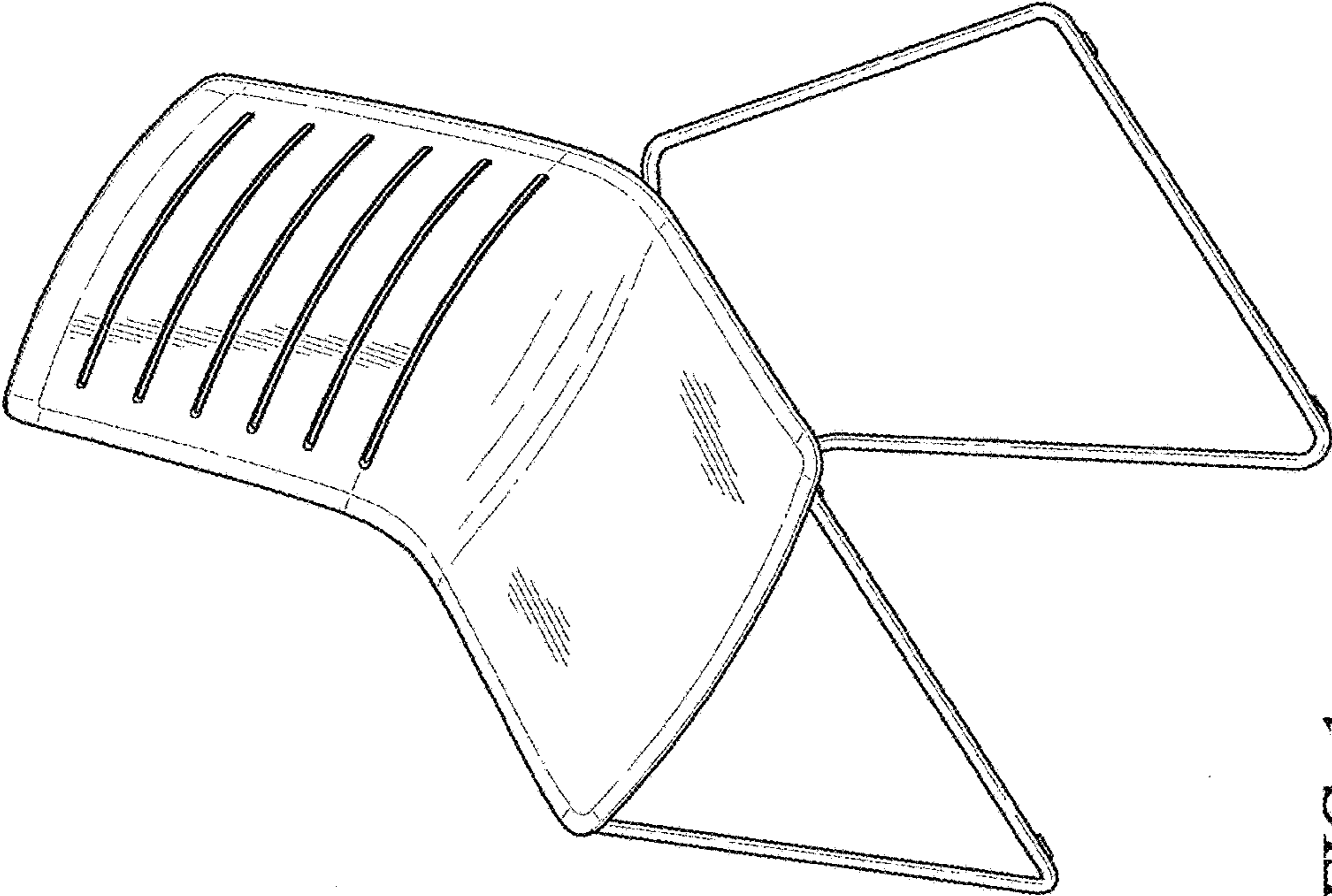


FIG. 1

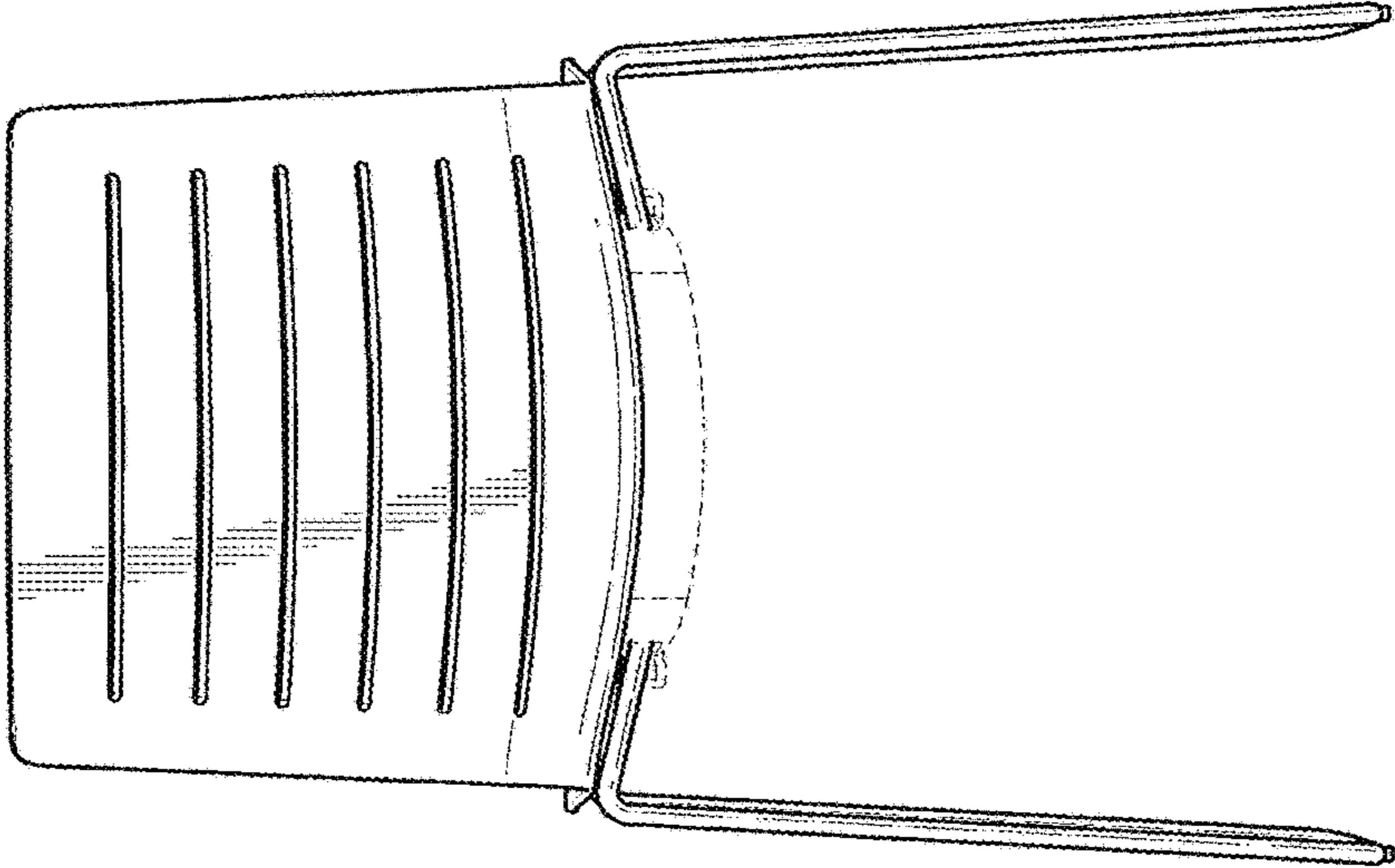


FIG. 2

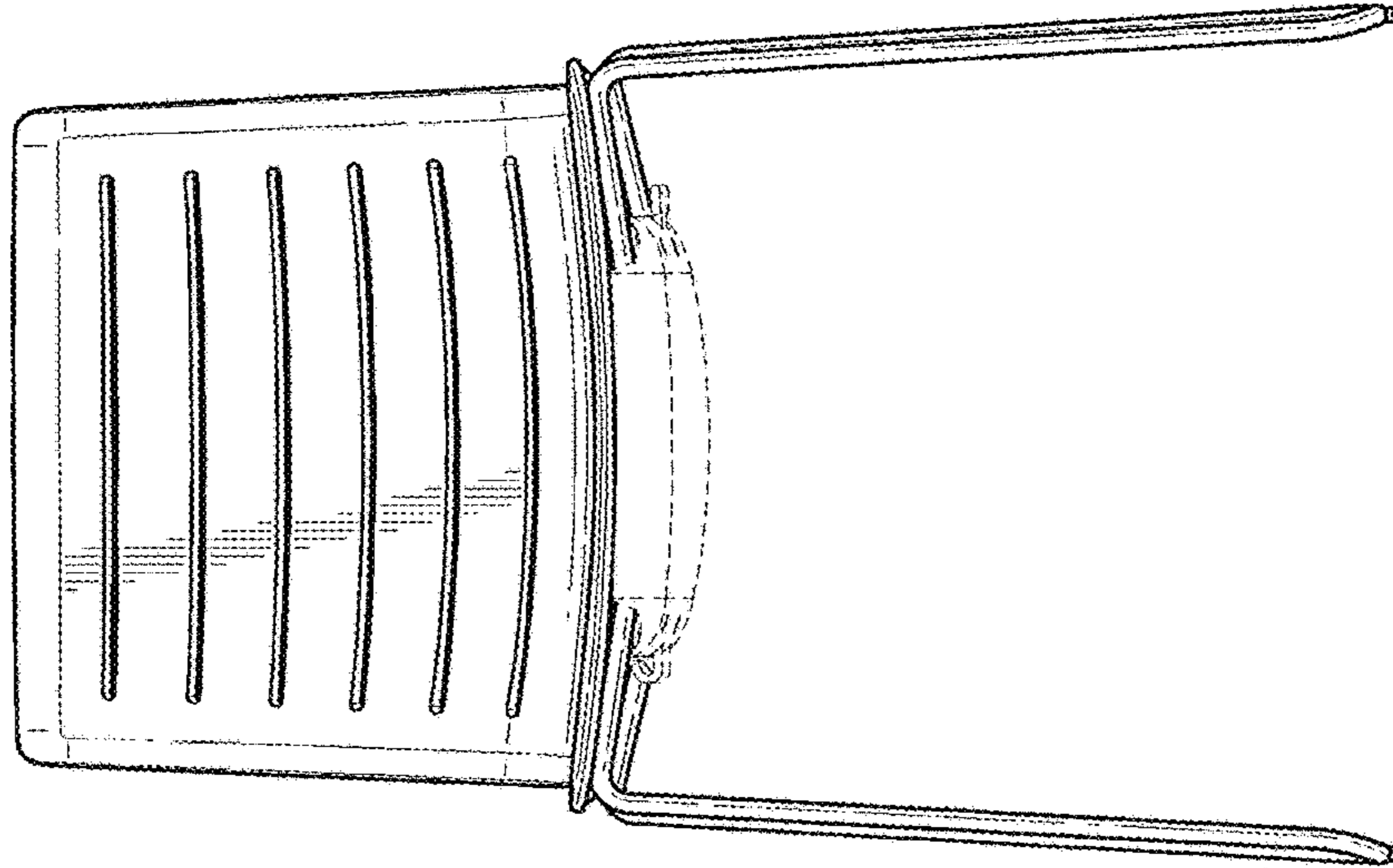


FIG. 3

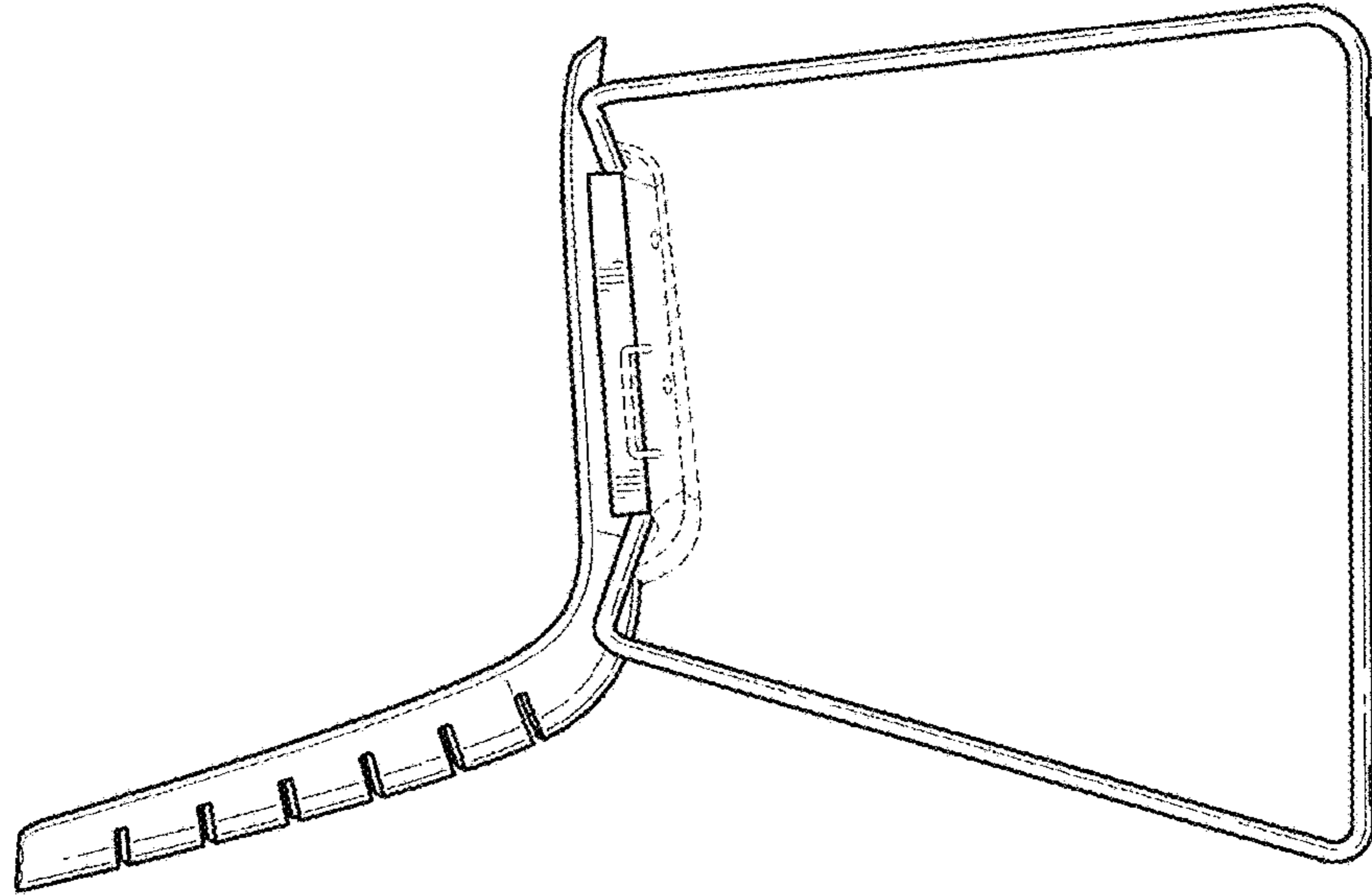


FIG. 5

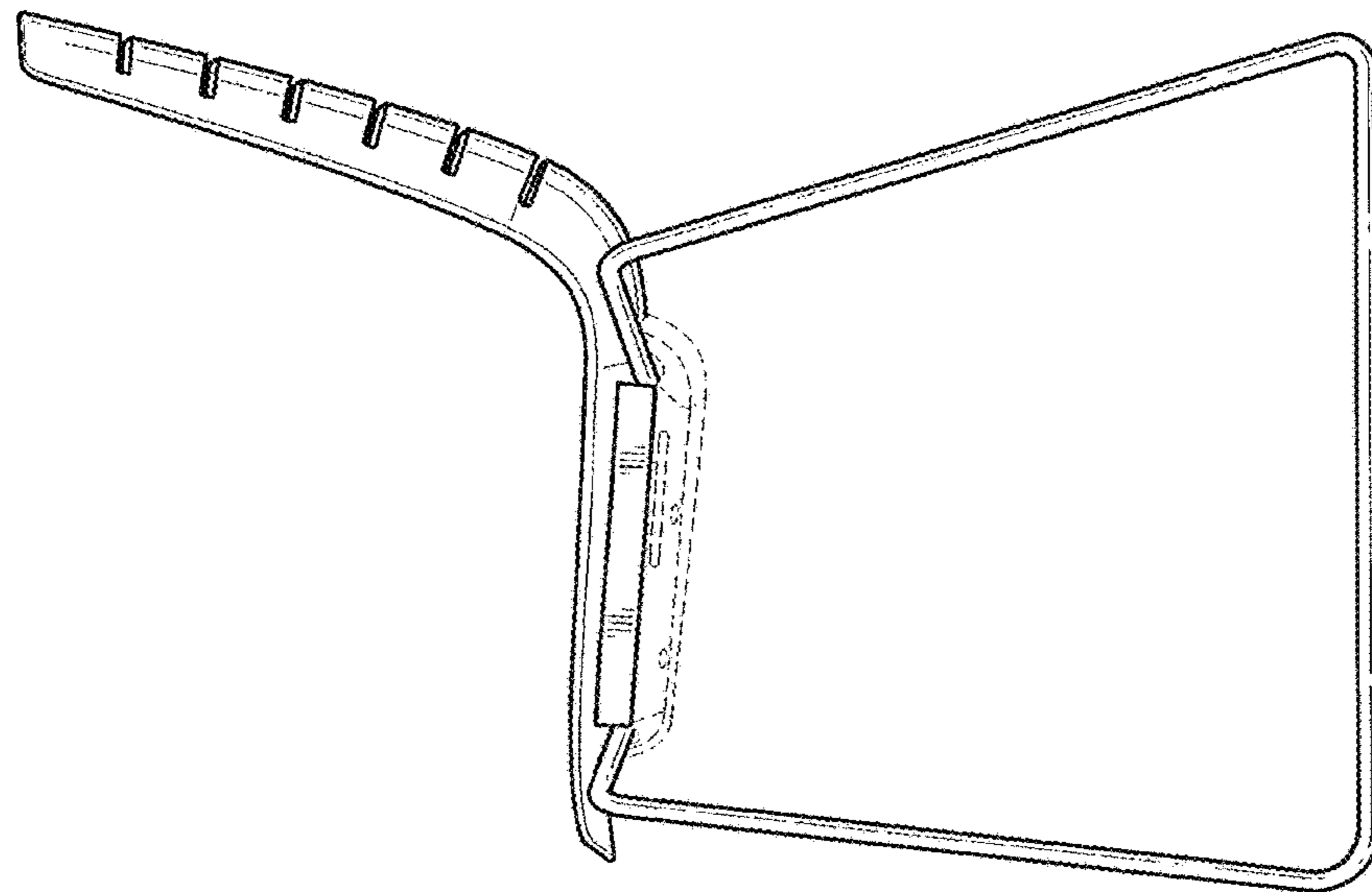


FIG. 4

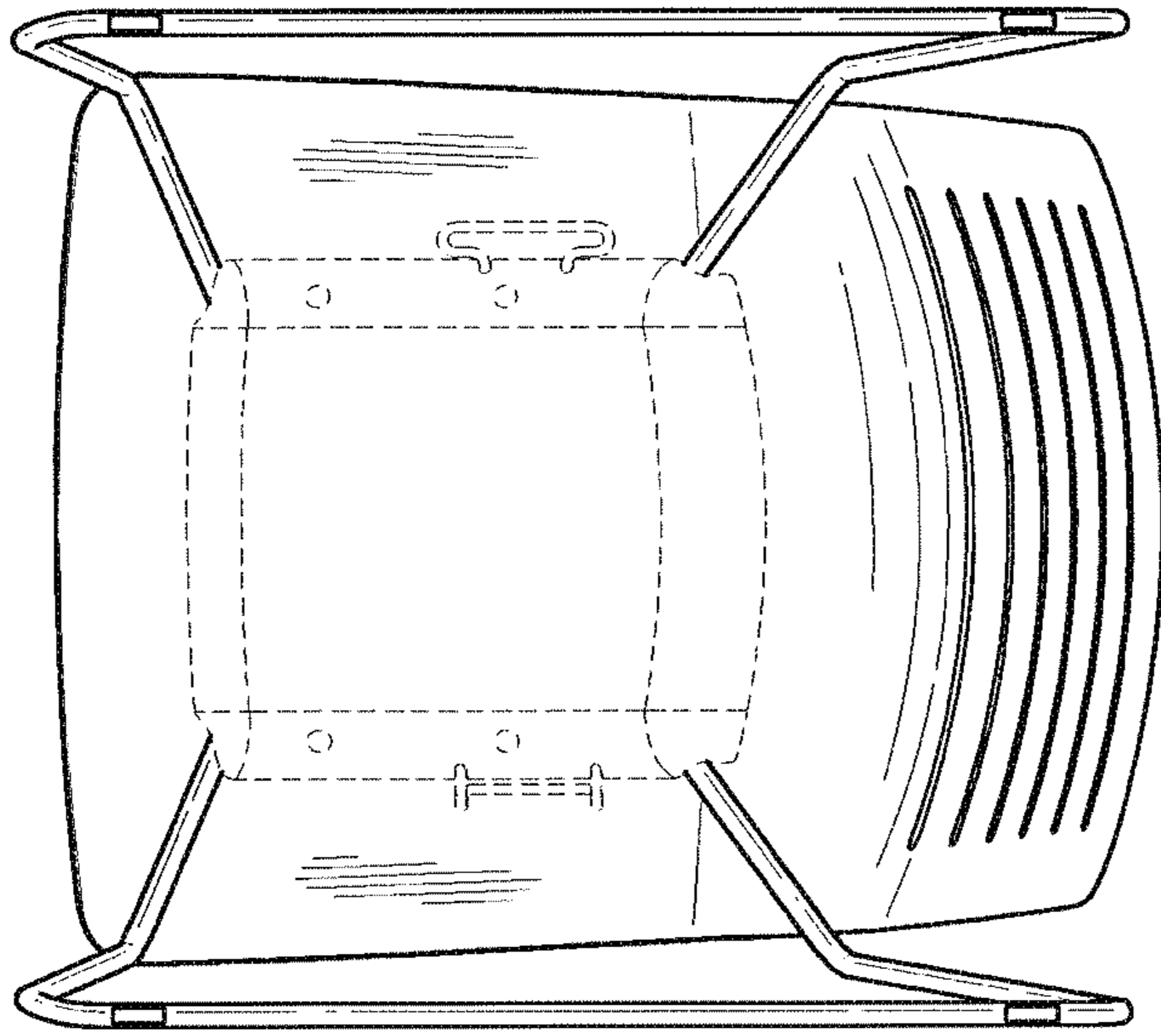


FIG. 7

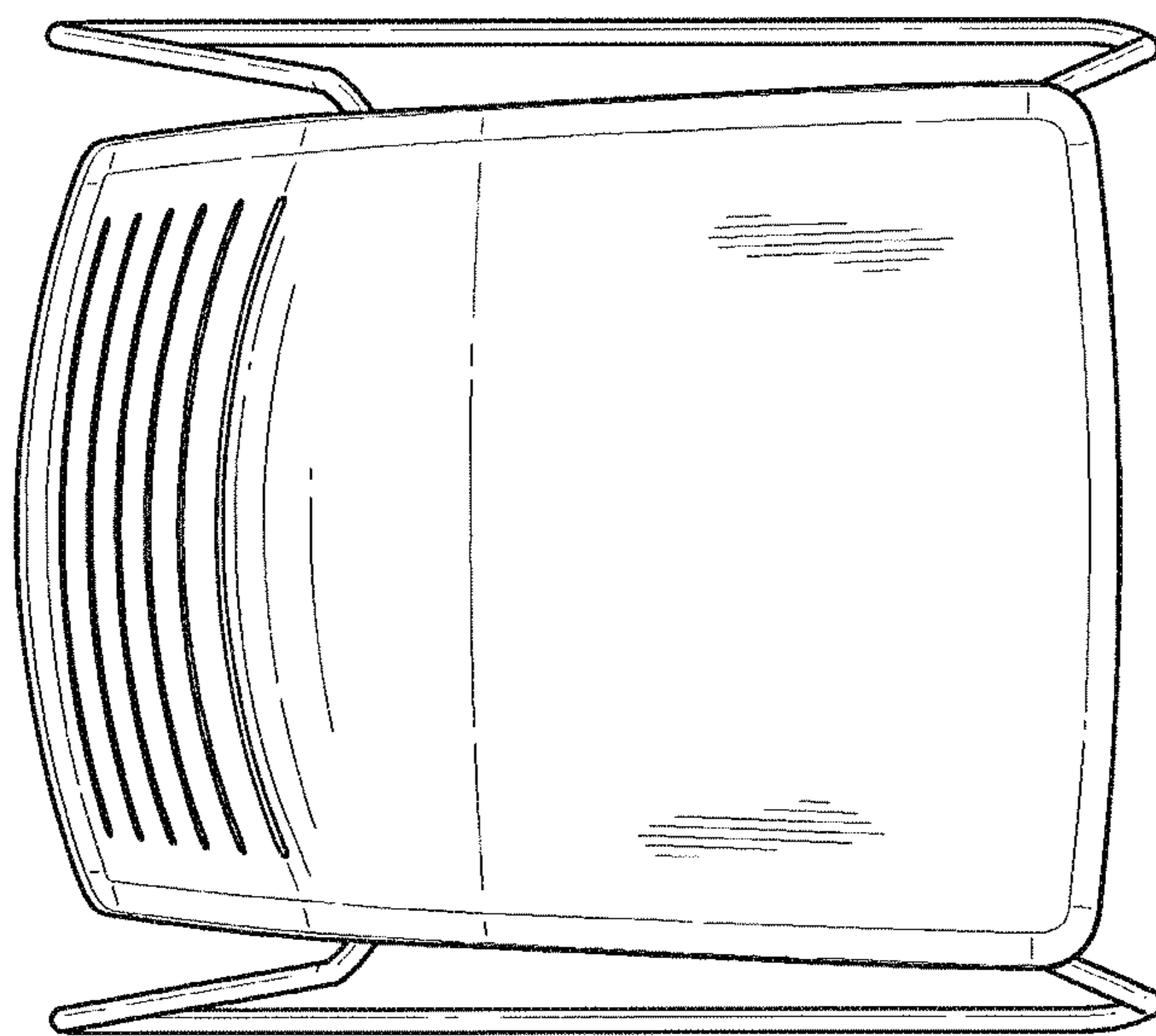


FIG. 6

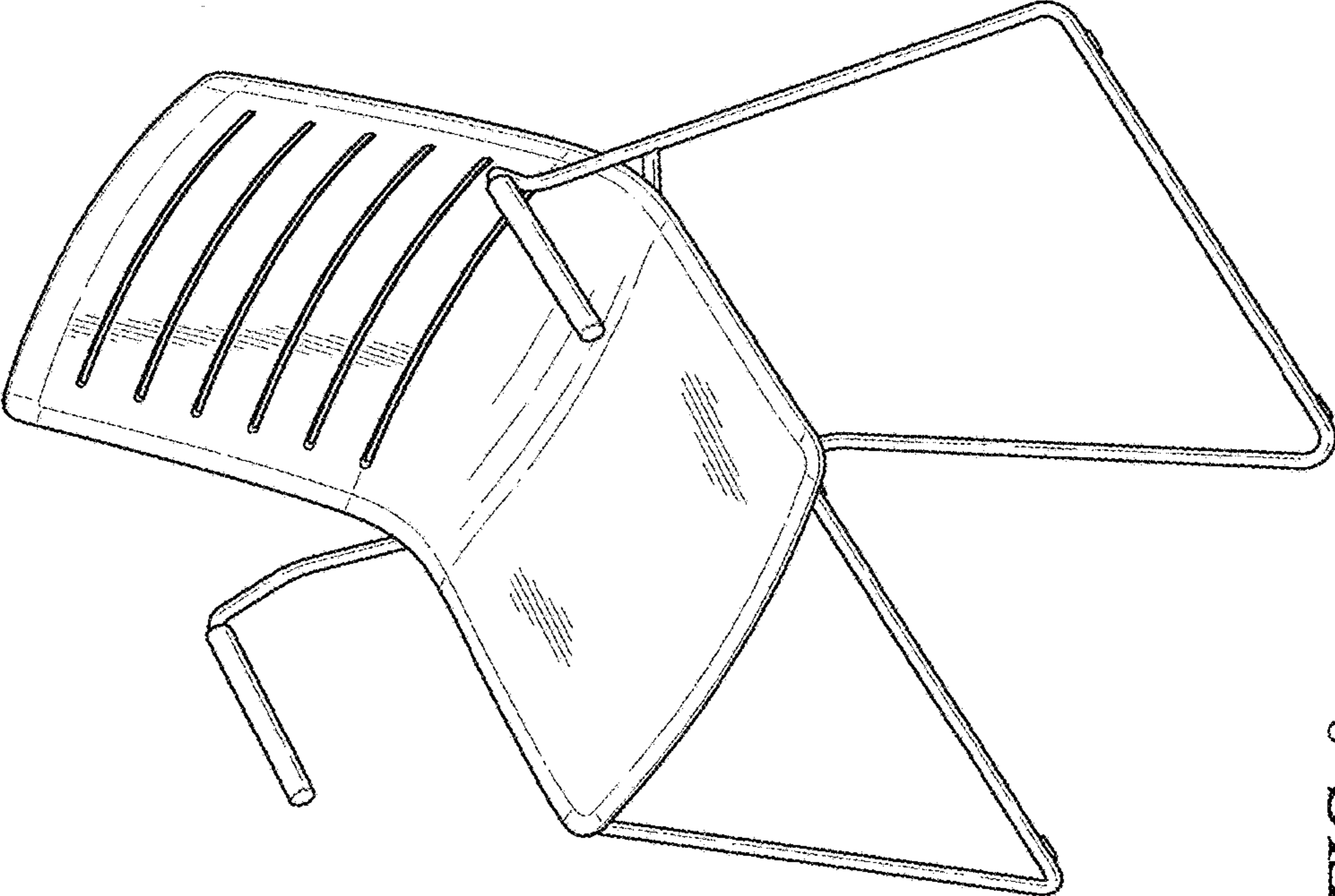


FIG. 8

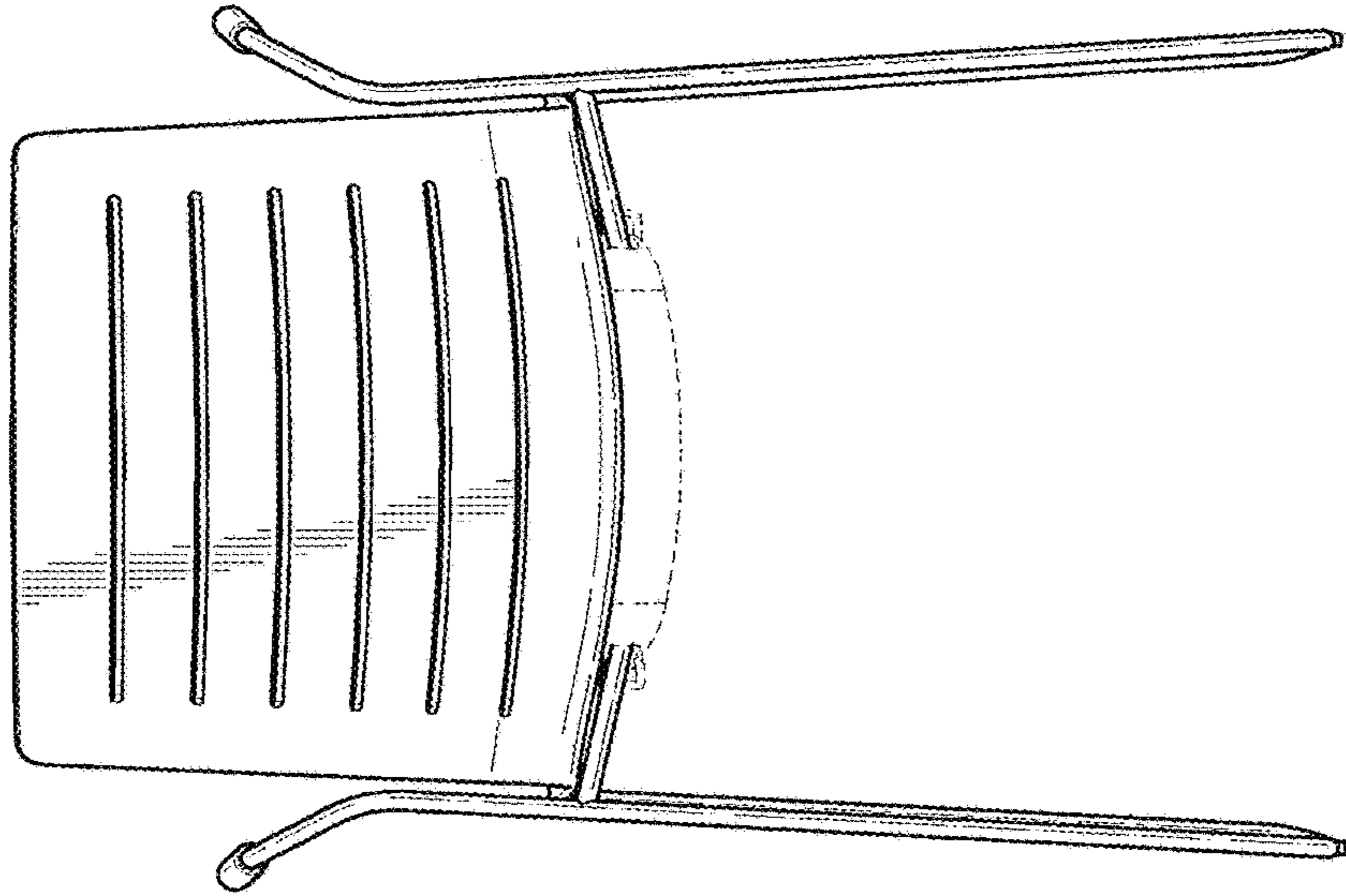


FIG. 10

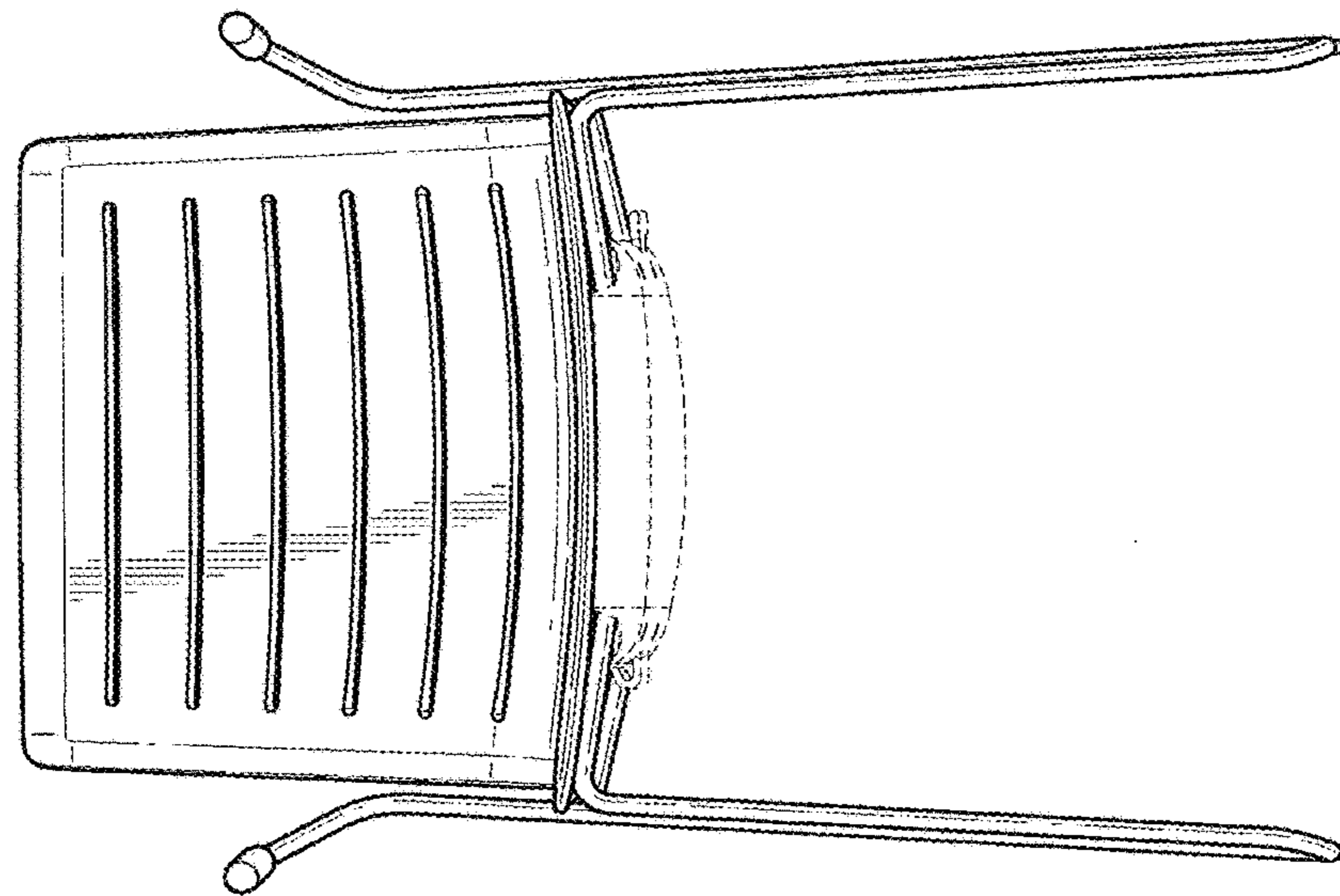


FIG. 9

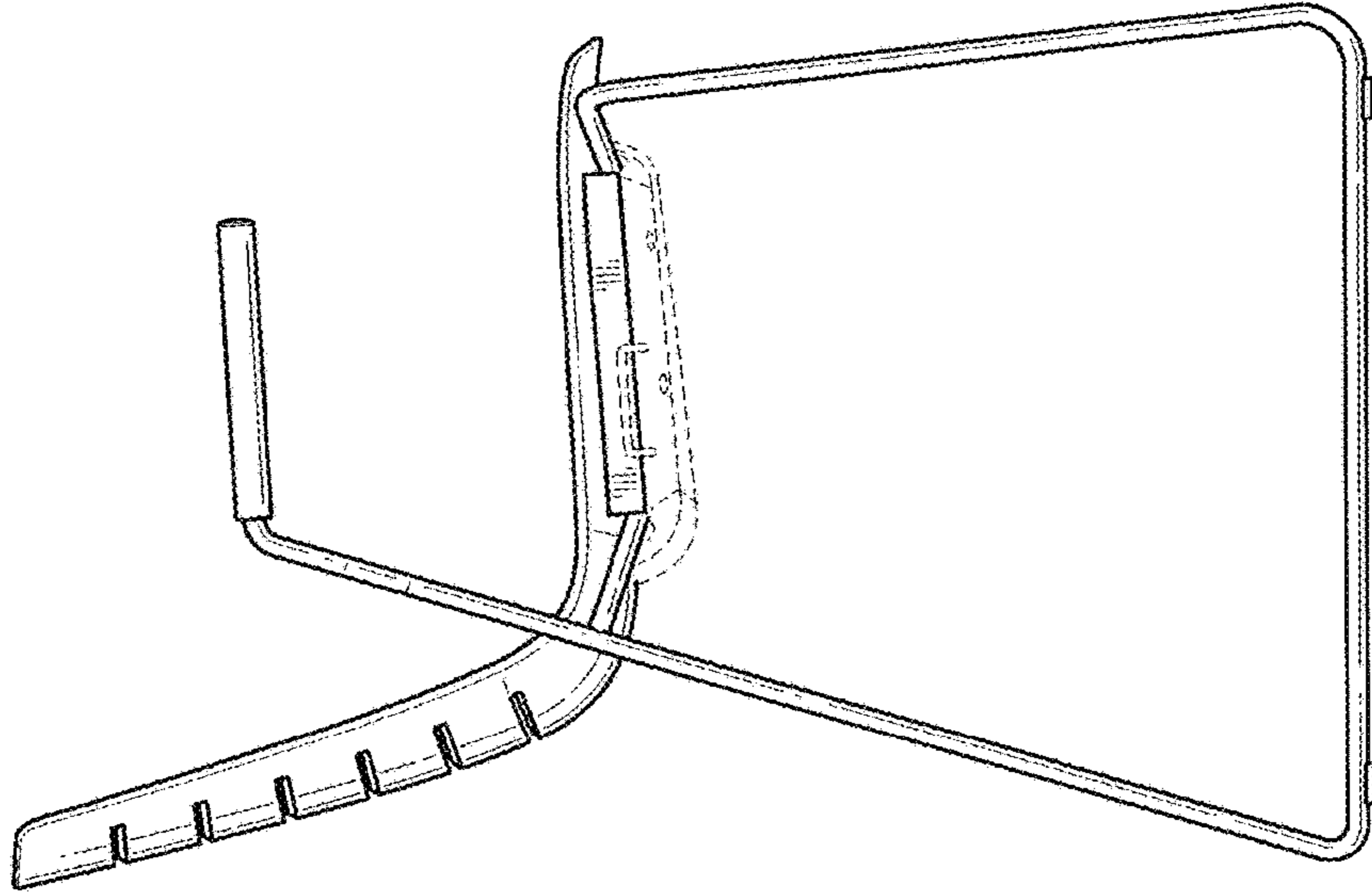


FIG. 12

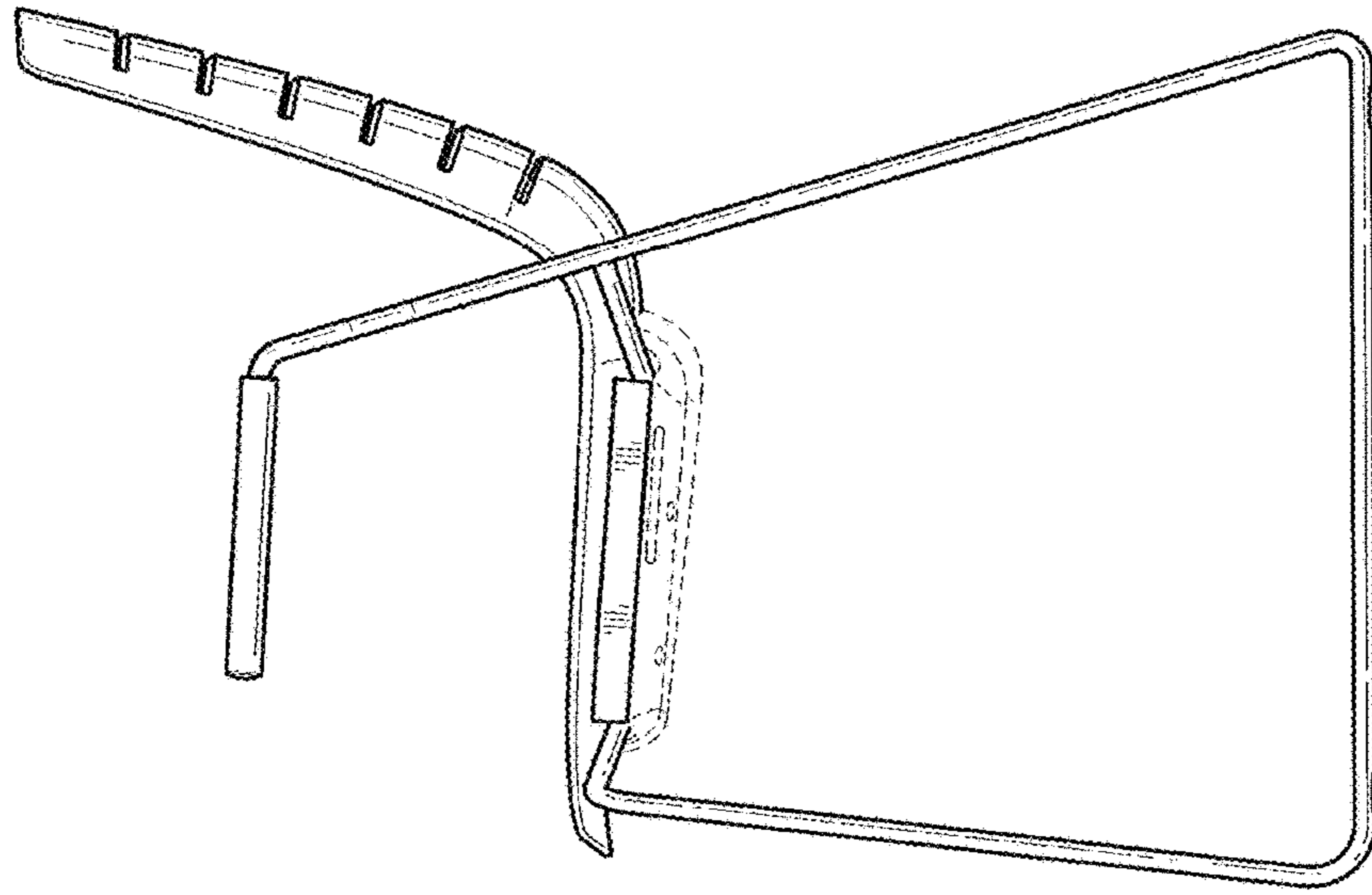


FIG. 11

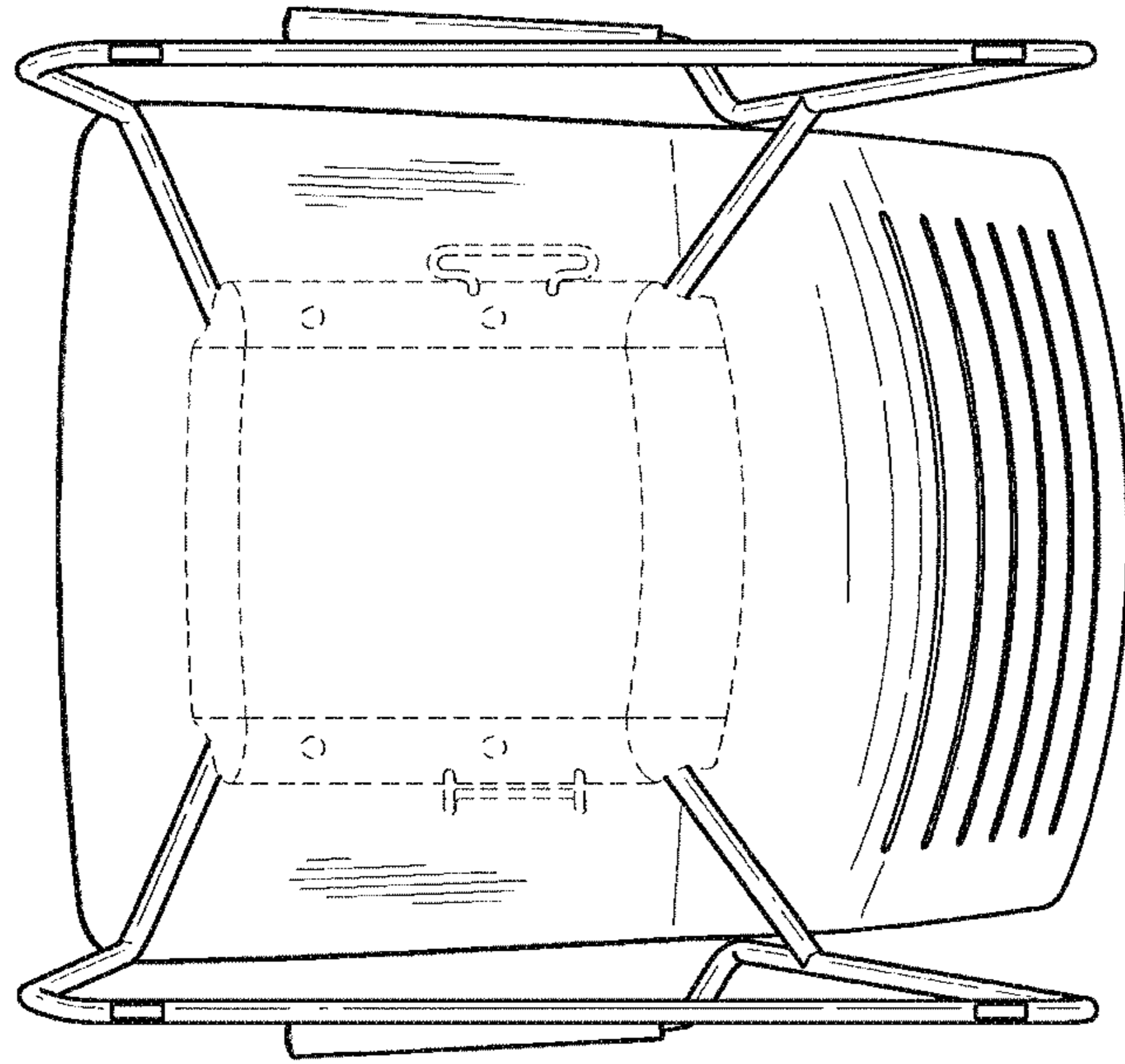


FIG. 14

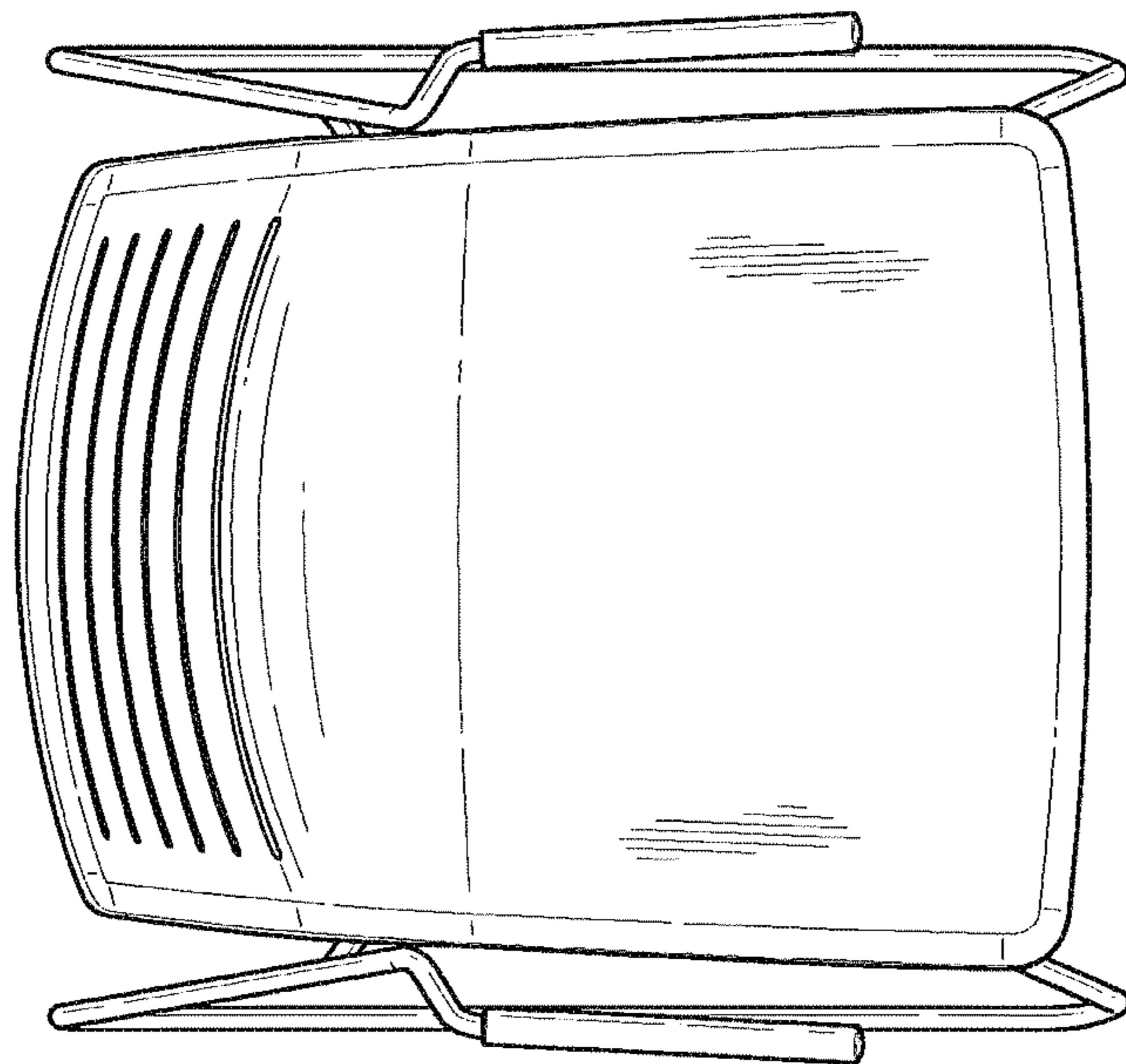


FIG. 13