



US00D802320S

(12) **United States Design Patent** (10) **Patent No.:** **US D802,320 S**  
**Bettin** (45) **Date of Patent:** **\*\* Nov. 14, 2017**

(54) **SOFA**  
(71) Applicant: **Dario Bettin**, Bari (IT)  
(72) Inventor: **Dario Bettin**, Bari (IT)  
(\*\*) Term: **15 Years**  
(21) Appl. No.: **29/537,814**  
(22) Filed: **Aug. 28, 2015**  
(51) **LOC (10) Cl.** ..... **06-01**  
(52) **U.S. Cl.**  
USPC ..... **D6/371**  
(58) **Field of Classification Search**  
USPC ..... D6/334-336, 371, 373, 374, 379, 381,  
D6/716, 716.1, 716.2, 716.3, 716.4  
CPC .. A47C 4/02; A47C 4/028; A47C 5/04; A47C  
7/021; A47C 7/18; A47C 7/24; A47C  
17/00; A47C 17/02  
See application file for complete search history.

4,165,902 A \* 8/1979 Ehrlich ..... A47C 4/02  
297/440.11  
D515,334 S \* 2/2006 Natuzzi ..... D6/381  
D603,617 S \* 11/2009 Weiss ..... D6/381  
D718,552 S \* 12/2014 Kanthasamy ..... D6/381  
D761,583 S \* 7/2016 Warren ..... D6/371  
D762,998 S \* 8/2016 Warren ..... D6/371

\* cited by examiner

*Primary Examiner* — Mimosa De  
(74) *Attorney, Agent, or Firm* — Egbert Law Offices,  
PLLC

(57) **CLAIM**

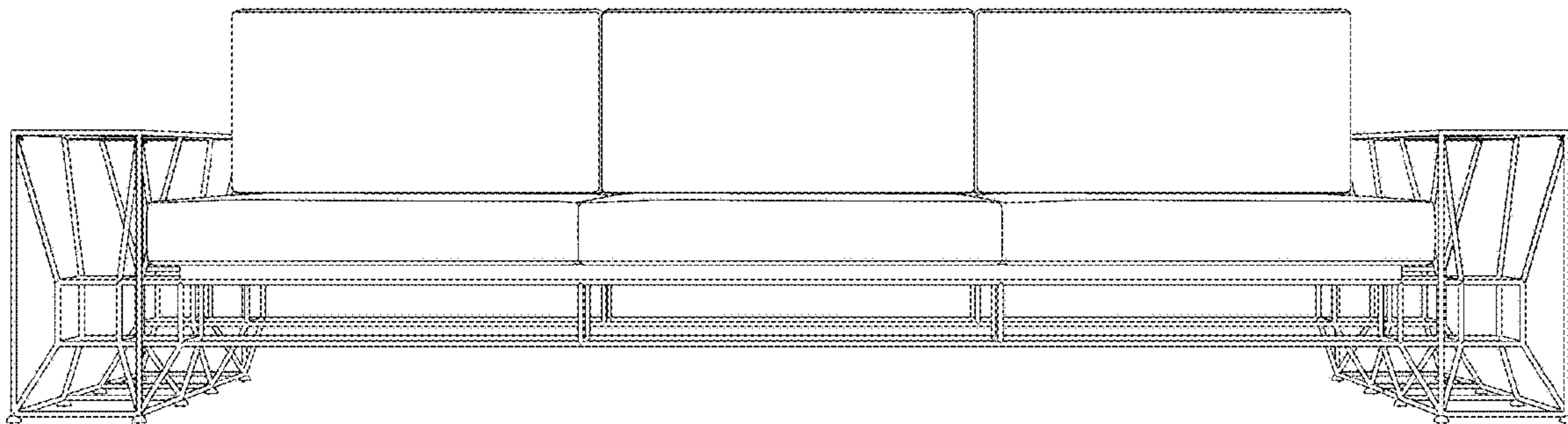
The ornamental design for a sofa, as shown and described.

**DESCRIPTION**

FIG. 1 is a front view of a sofa showing my new design.  
FIG. 2 is a top view thereof;  
FIG. 3 is a front perspective view thereof; and,  
FIG. 4 is a rear perspective view thereof.

**1 Claim, 2 Drawing Sheets**

(56) **References Cited**  
U.S. PATENT DOCUMENTS  
2,965,161 A \* 12/1960 Knoll ..... A47C 4/028  
297/440.2  
D239,236 S \* 3/1976 Costabile ..... D6/381



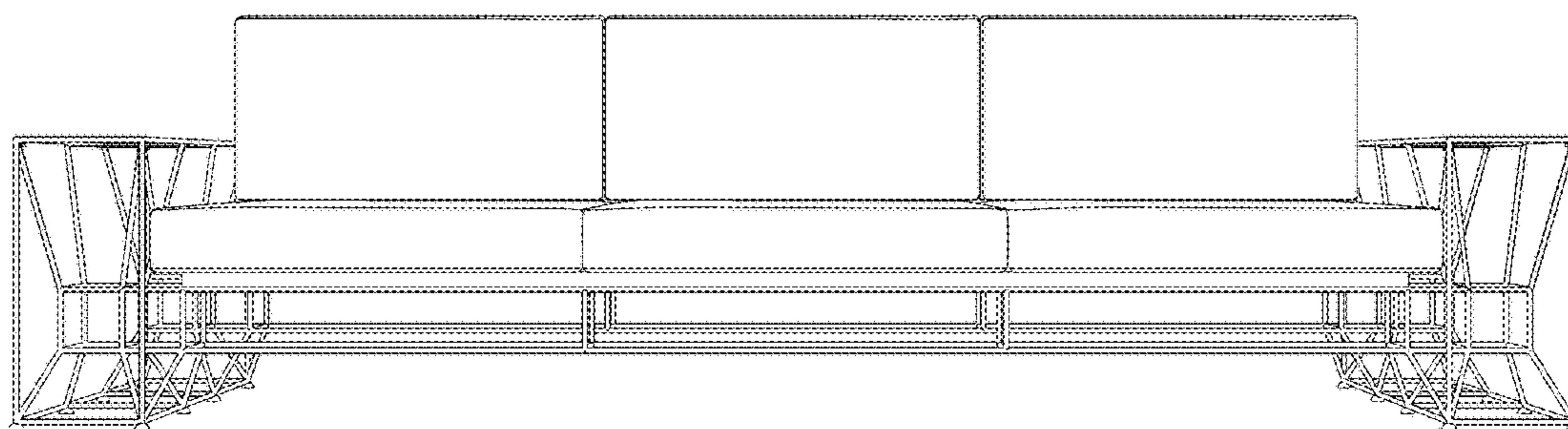


FIG. 1

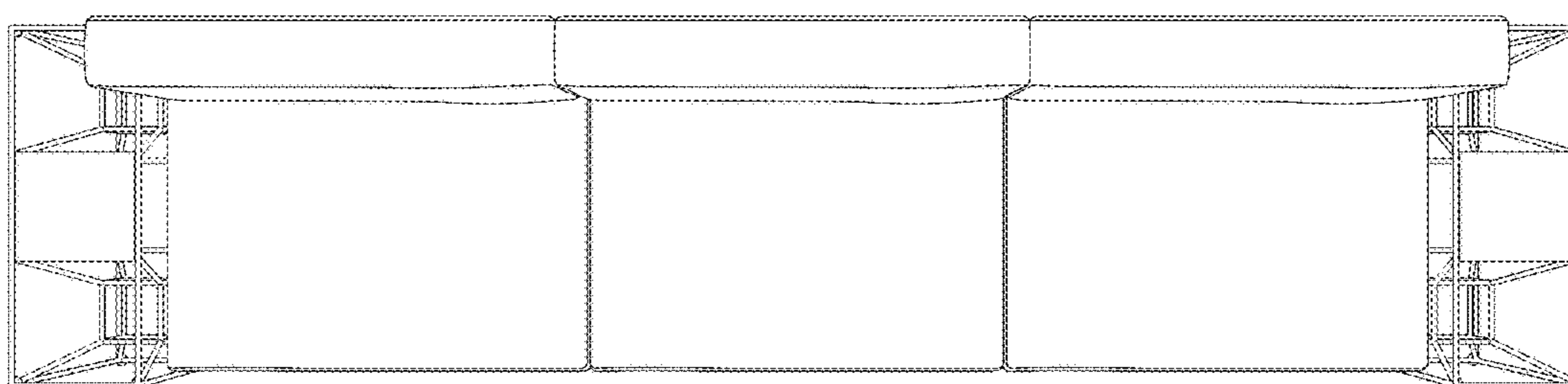


FIG. 2

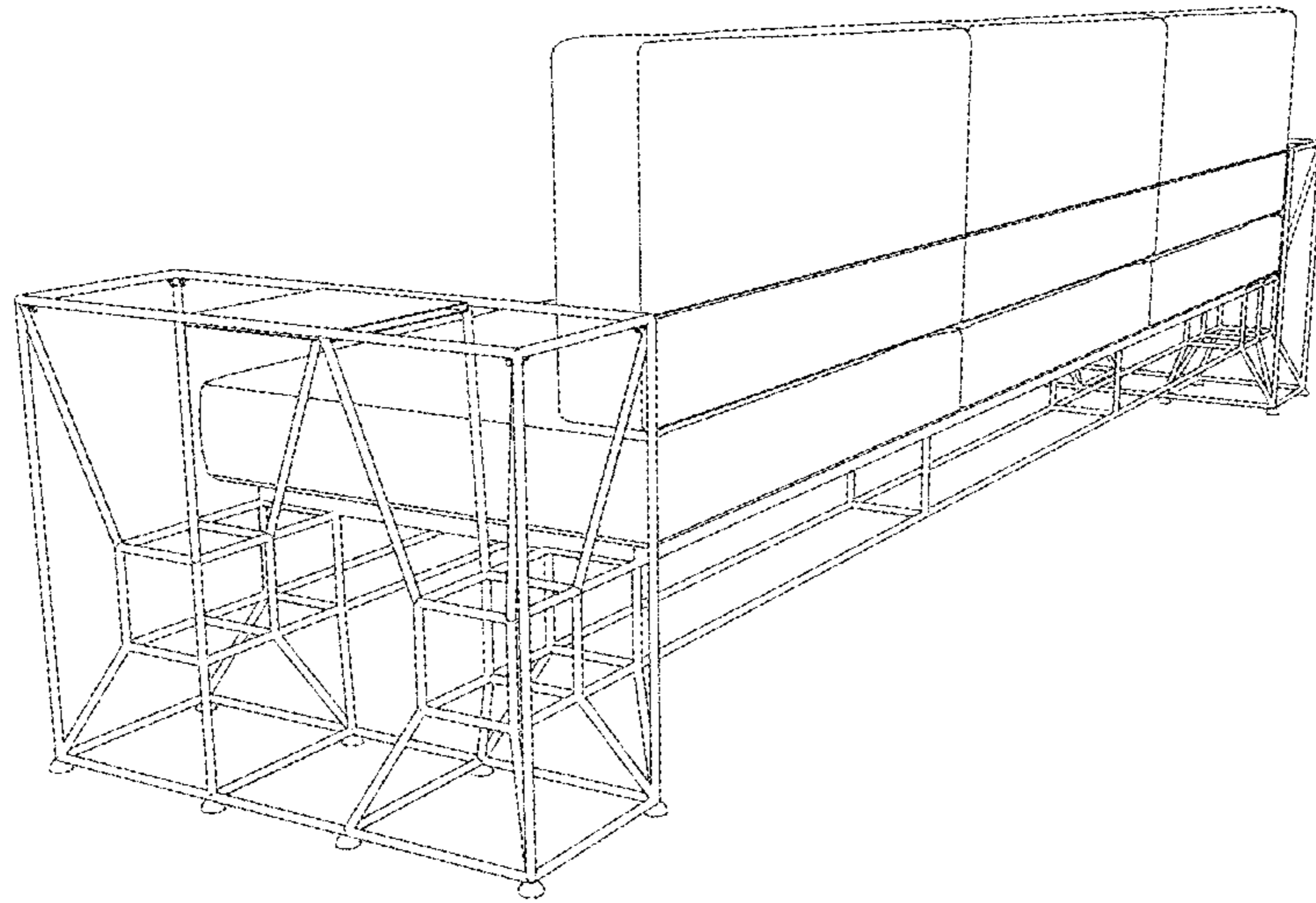


FIG. 3

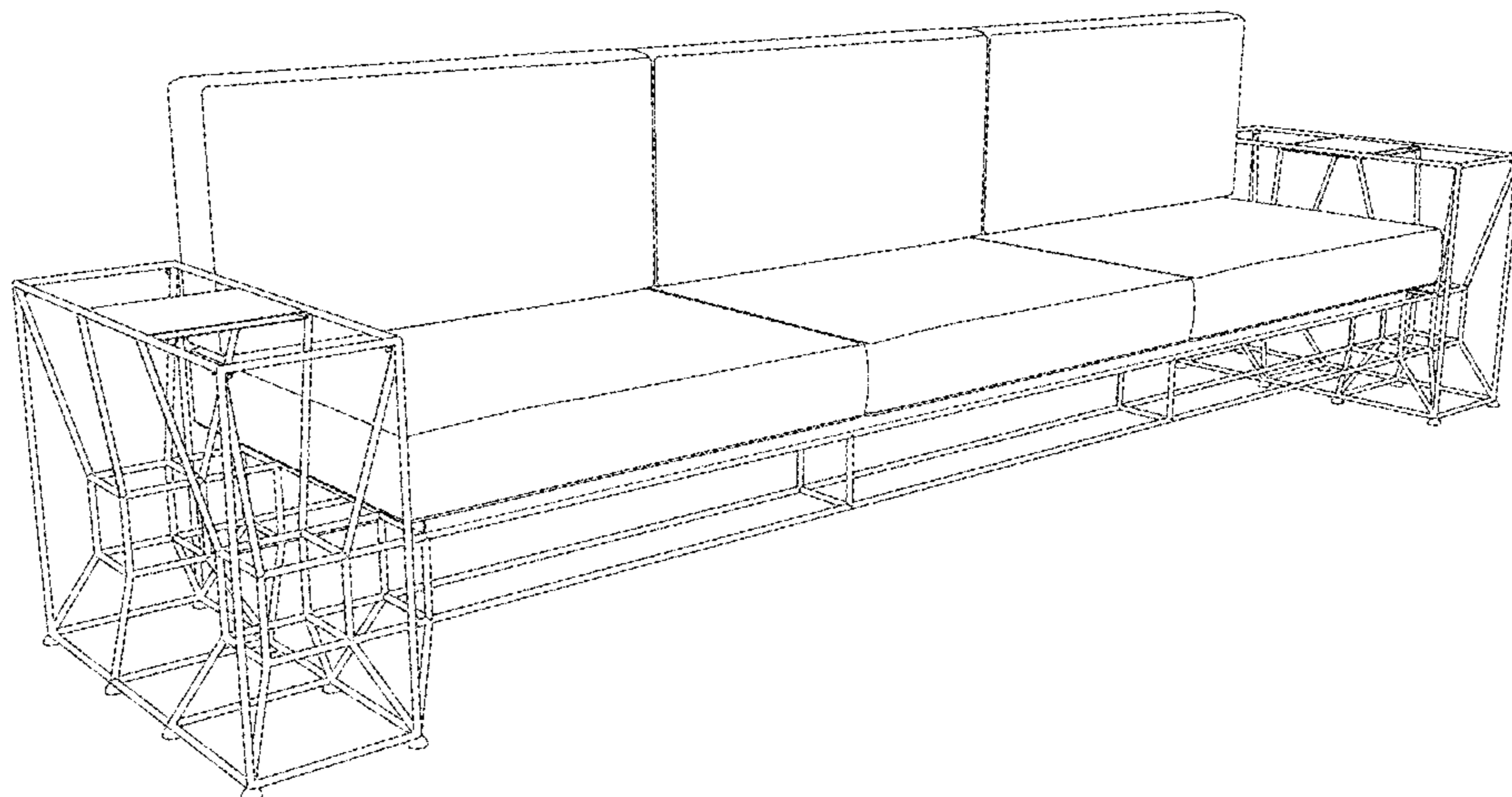


FIG. 4