



US00D802318S

(12) **United States Design Patent**  
**Longo**

(10) **Patent No.:** **US D802,318 S**

(45) **Date of Patent:** **\*\* Nov. 14, 2017**

- (54) **WAVE BRACKET AND ECLIPSE SEAT**
- (71) Applicant: **Seachrome Corporation**, Long Beach, CA (US)
- (72) Inventor: **Samuel Colavin Longo**, La Canada, CA (US)
- (73) Assignee: **Seachrome Corporation**, Long Beach, CA (US)
- (\*\*) Term: **15 Years**
- (21) Appl. No.: **29/595,344**
- (22) Filed: **Feb. 27, 2017**

- 5,967,255 A \* 10/1999 Young ..... A47B 5/06  
182/91
- D468,548 S \* 1/2003 Head, Jr. .... D6/368
- D509,372 S \* 9/2005 King ..... D6/364
- D571,112 S \* 6/2008 Henderson ..... D6/362
- 8,123,271 B1 \* 2/2012 Wimberley ..... B60N 2/3095  
296/57.1
- D784,034 S \* 4/2017 Longo ..... D6/362
- 2001/0035114 A1 \* 11/2001 Ash ..... A47B 5/02  
108/147
- 2004/0124327 A1 \* 7/2004 Cheng ..... A47B 46/005  
248/244
- 2004/0261667 A1 \* 12/2004 Ma ..... A47B 5/04  
108/42
- 2007/0035166 A1 \* 2/2007 Summerford ..... A47C 9/06  
297/331
- 2008/0093902 A1 \* 4/2008 Jones ..... A47C 1/16  
297/252

**Related U.S. Application Data**

- (63) Continuation of application No. 29/525,940, filed on May 5, 2015, now Pat. No. Des. 790,242.
- (51) **LOC (10) Cl.** ..... **06-01**
- (52) **U.S. Cl.**  
USPC ..... **D6/368; D6/362**
- (58) **Field of Classification Search**  
USPC ... D6/334-336, 360-381, 716, 716.1-716.4;  
D23/304  
CPC .... A47B 5/02; A47B 5/04; A47B 5/06; A47B  
46/005; A47C 1/032; A47C 1/12; A47C  
1/16; A47C 1/121; A47C 1/124; A47C  
3/16; A47C 7/021; A47C 7/56; A47C  
7/62; A47C 7/407; A47C 9/06; A47K  
3/28; B60N 2/02; B60N 2/3095; B60N  
2/686; B63B 29/04  
See application file for complete search history.

**References Cited**

- (56) **U.S. PATENT DOCUMENTS**
- 4,193,141 A \* 3/1980 Rosenberg ..... A47K 3/28  
4/447
- D342,779 S \* 12/1993 Root ..... D23/304

\* cited by examiner

*Primary Examiner* — Ricky Pham  
(74) *Attorney, Agent, or Firm* — Fish IP Law, LLC

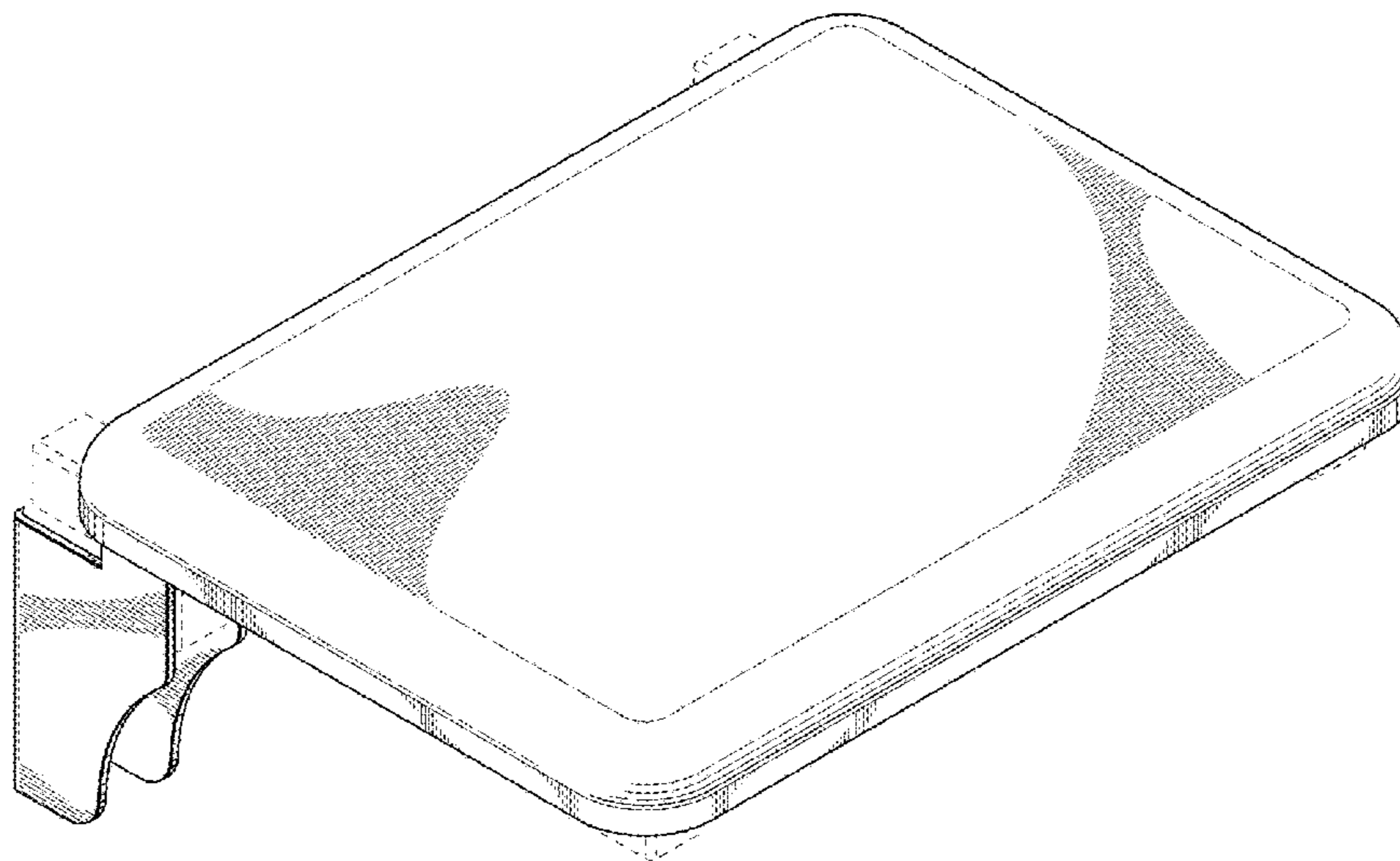
(57) **CLAIM**

The ornamental design of a wave bracket and eclipse seat, as shown and described.

**DESCRIPTION**

FIG. 1 is a top, front, left side perspective view of a wave bracket and eclipse seat of the new design.  
FIG. 2 is a front elevation view thereof.  
FIG. 3 is a rear elevation view thereof.  
FIG. 4 is a left side elevation view thereof.  
FIG. 5 is a right side elevation view thereof.  
FIG. 6 is a top plan view thereof; and,  
FIG. 7 is a bottom plan view thereof.  
The features shown in broken lines in FIGS. 1-7 form no part of the claimed design.

**1 Claim, 4 Drawing Sheets**



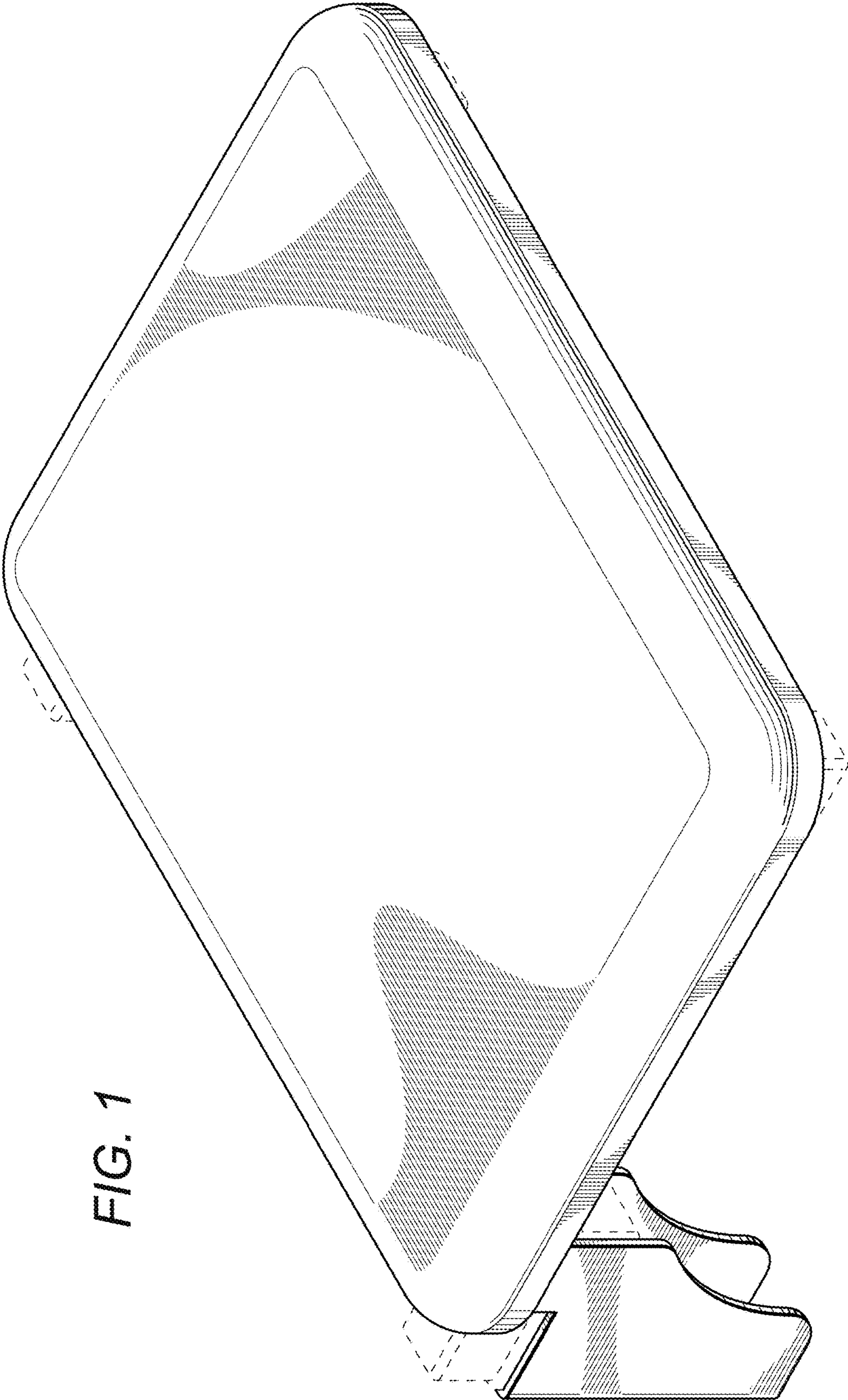


FIG. 1

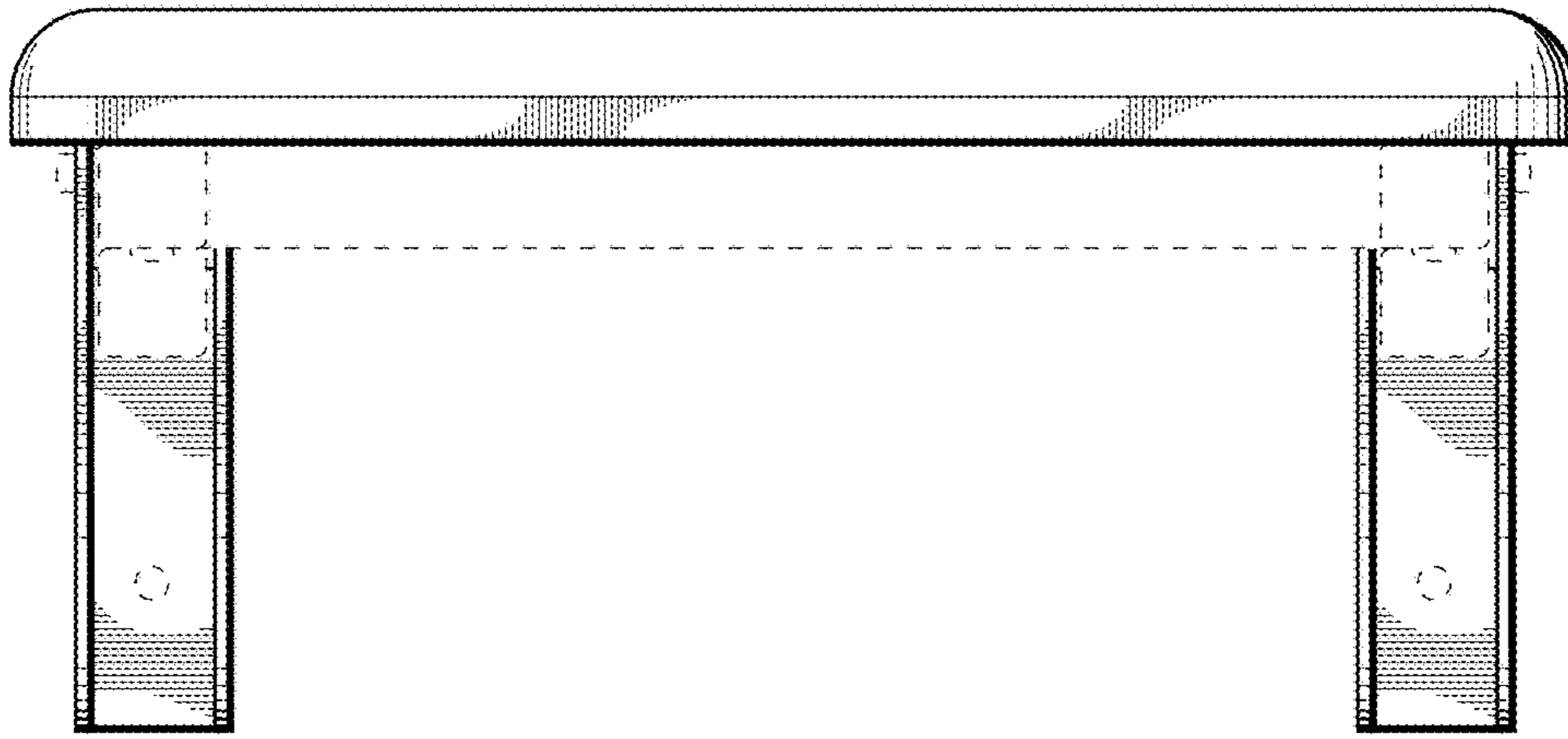
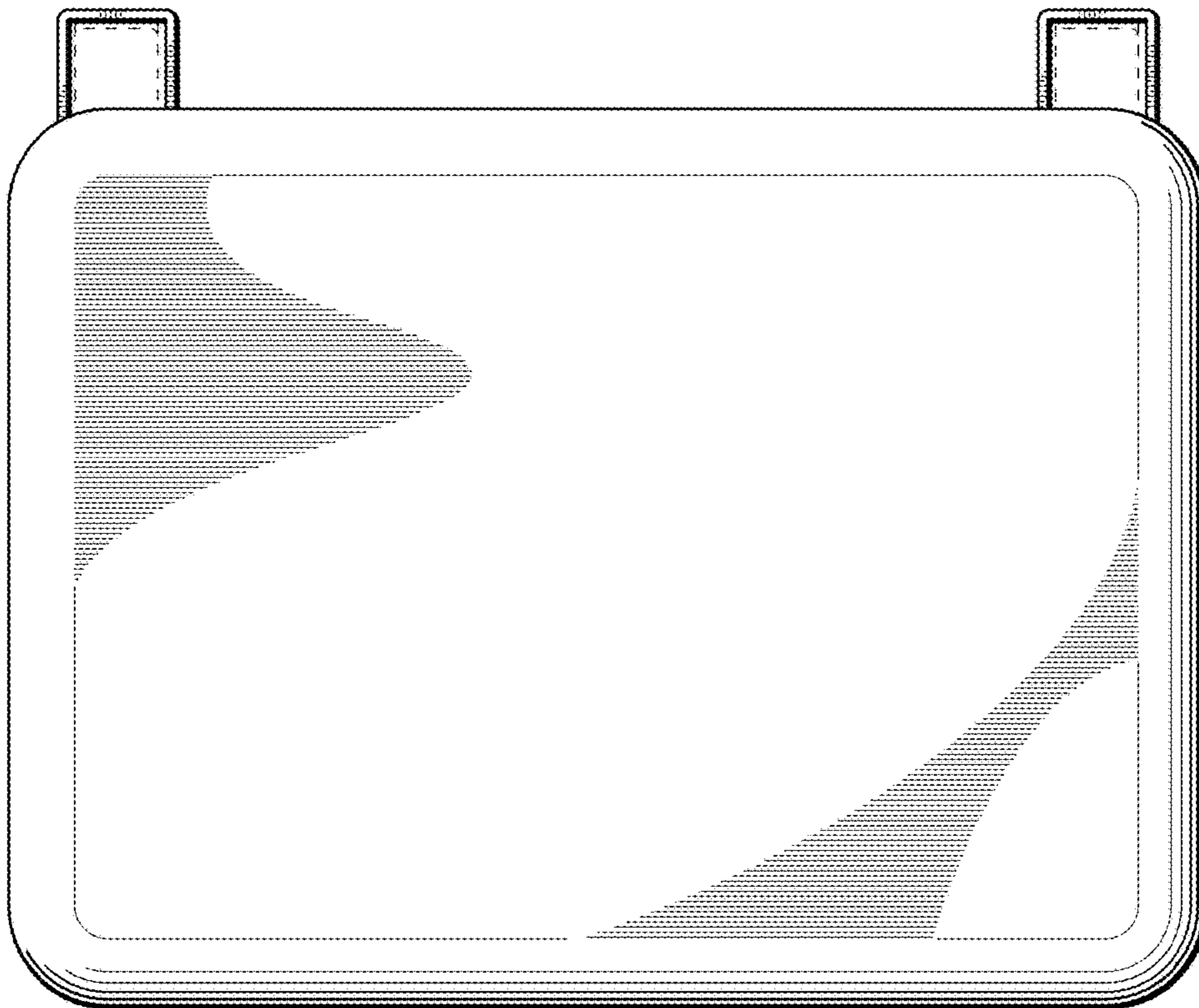


FIG. 2

FIG. 6



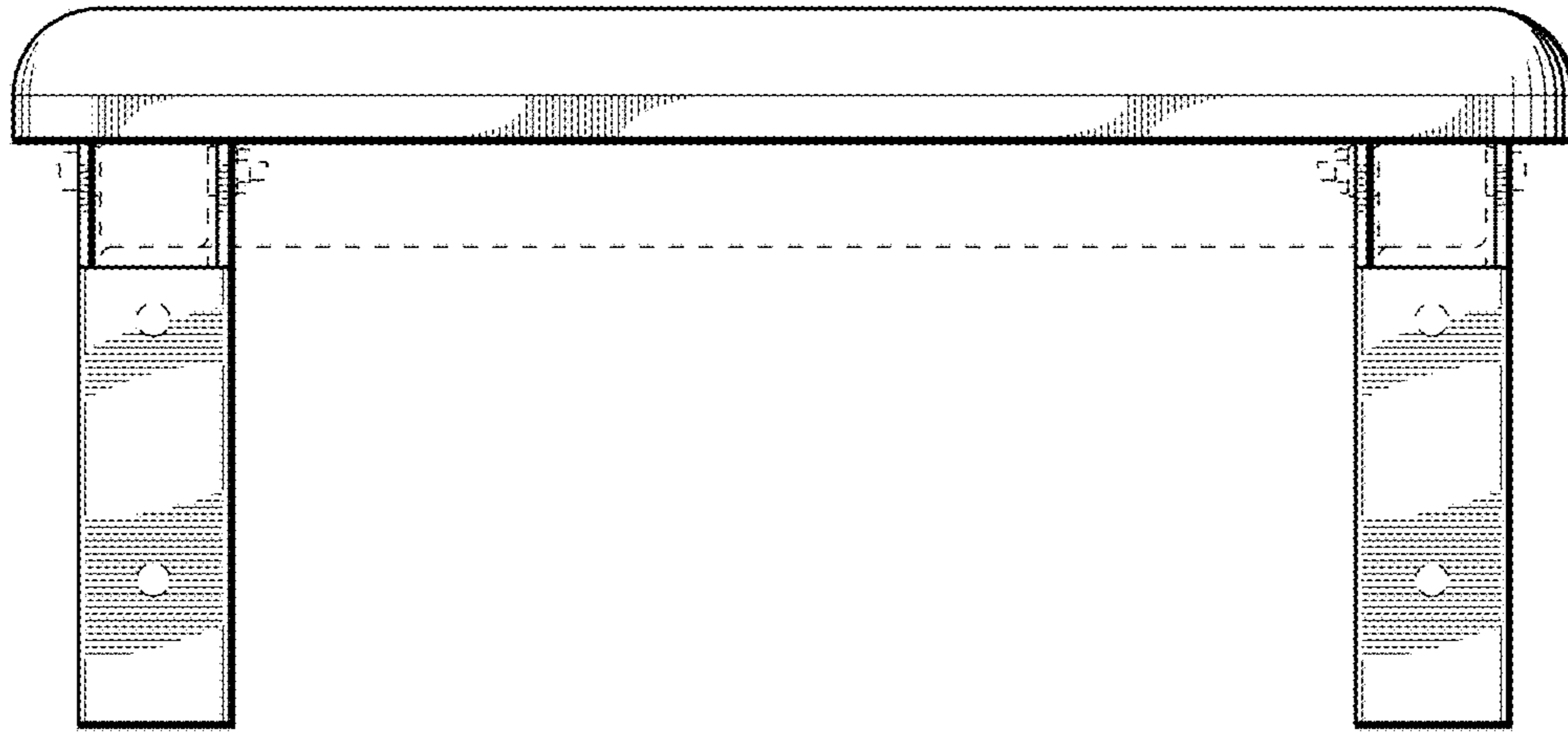
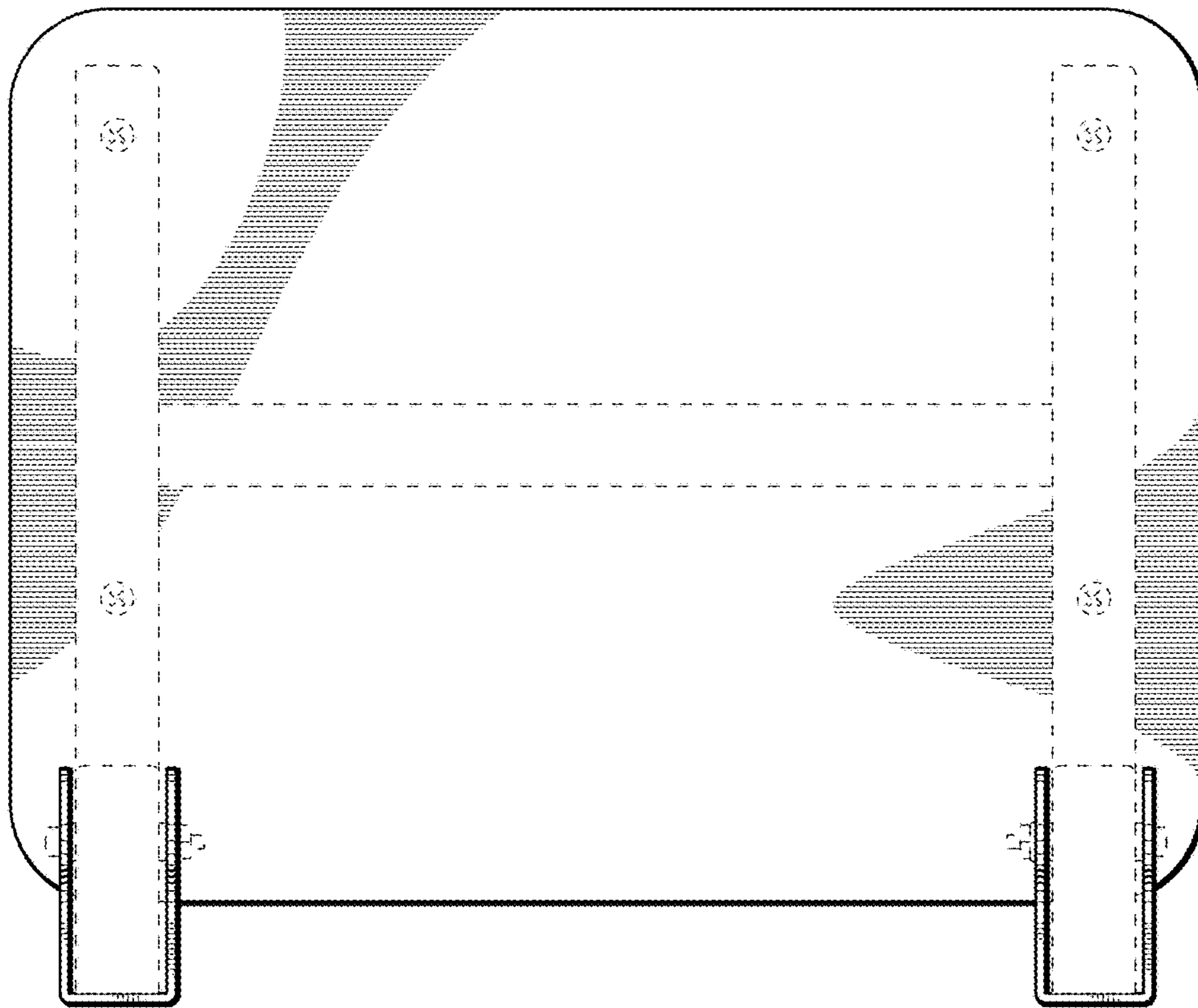


FIG. 3

FIG. 7



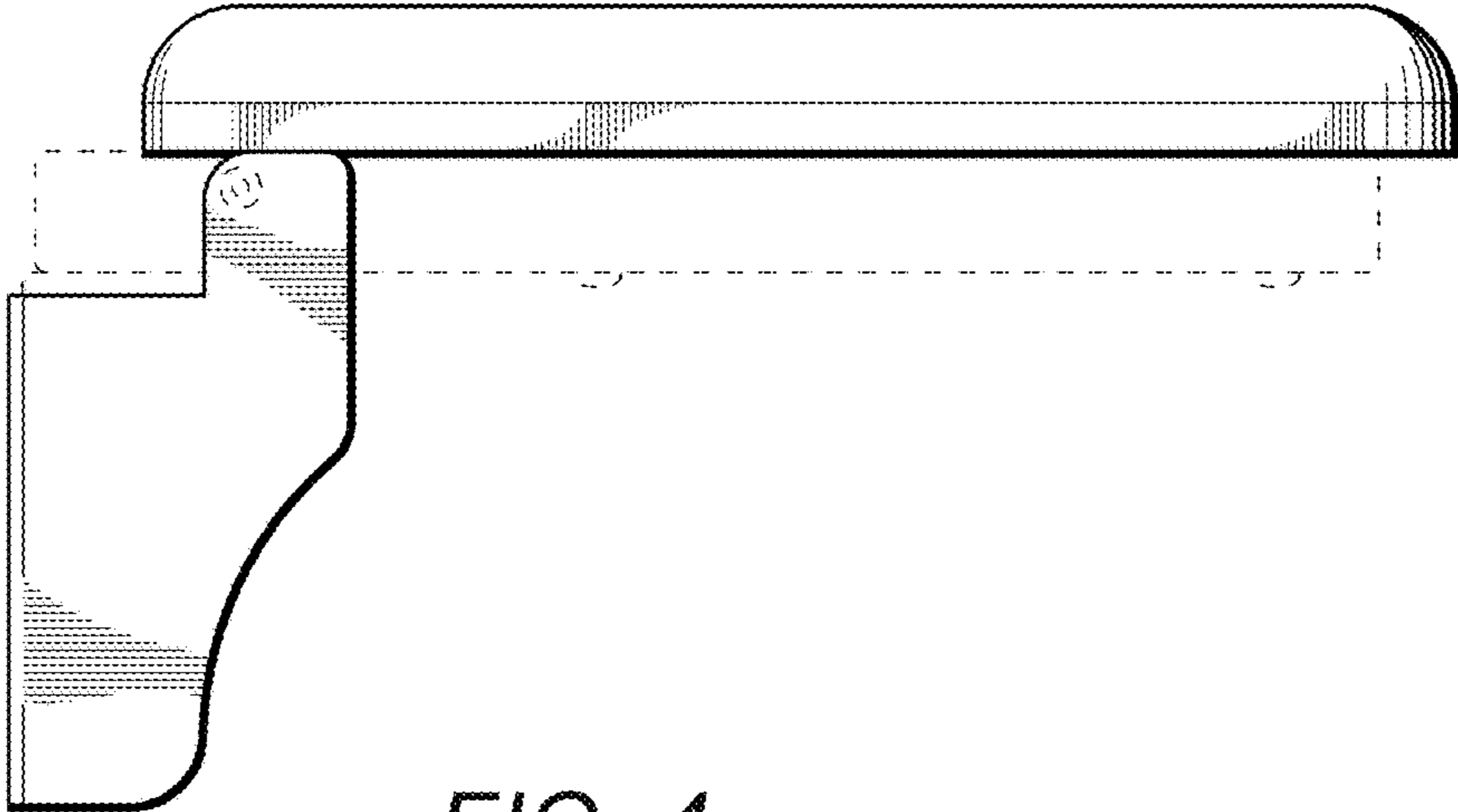


FIG. 4

FIG. 5

