



US00D802317S

(12) **United States Design Patent**
Head, Jr. et al.

(10) **Patent No.:** **US D802,317 S**

(45) **Date of Patent:** **** Nov. 14, 2017**

(54) **STADIUM CHAIR WITH ARM RESTS**

4,775,182 A * 10/1988 von Hoffman A47C 4/283
297/350

(71) Applicants: **H. Wayne Head, Jr.**, O'Donnell, TX
(US); **Carl W. Wilhite**, Olathe, KS
(US)

6,352,306 B1 * 3/2002 Dreiling A47C 1/16
297/252

(72) Inventors: **H. Wayne Head, Jr.**, O'Donnell, TX
(US); **Carl W. Wilhite**, Olathe, KS
(US)

D459,602 S * 7/2002 Kreiss D6/368
D468,548 S * 1/2003 Head, Jr. D6/368
D610,821 S * 3/2010 Dreiling D6/368
8,322,784 B2 * 12/2012 Ayre A47C 4/283
297/31

(Continued)

(73) Assignee: **The Stadium Chair Company, L.L.C.**,
Lenexa, KS (US)

Primary Examiner — Mimoso De

(74) *Attorney, Agent, or Firm* — James E. Walton

(**) Term: **15 Years**

(57) **CLAIM**

The ornamental design for a stadium chair with arm rests, as shown and described.

(21) Appl. No.: **29/547,158**

DESCRIPTION

(22) Filed: **Dec. 1, 2015**

(51) **LOC (10) Cl.** **06-01**

(52) **U.S. Cl.**
USPC **D6/368**

(58) **Field of Classification Search**
USPC D6/334-336, 368, 371, 373, 376, 374,
D6/379, 380, 716, 716.1, 716.2, 716.3,
D6/716.4

CPC A47C 1/16; A47C 3/16; A47C 5/10; A47C
5/06; A47C 4/14; A47C 4/283; A47C
4/30; A47C 4/42; A47C 5/04; A47C 7/54

See application file for complete search history.

FIG. 1 is a perspective view of a stadium chair with arm rests according to the present application.

FIG. 2 is an exploded perspective view of the stadium chair with arm rests of FIG. 1.

FIG. 3 is a perspective view of an alternative embodiment of a stadium chair with arm rests according to the present application.

FIG. 4 is a front view of the stadium chair with arm rests of FIG. 1.

FIG. 5 is a back view of the stadium chair with arm rests of FIG. 1.

FIG. 6 is a left view of the stadium chair with arm rests of FIG. 1.

FIG. 7 is a right view of the stadium chair with arm rests of FIG. 1.

FIG. 8 is a top view of the stadium chair with arm rests of FIG. 1; and,

FIG. 9 is a bottom view of the stadium chair with arm rests of FIG. 1.

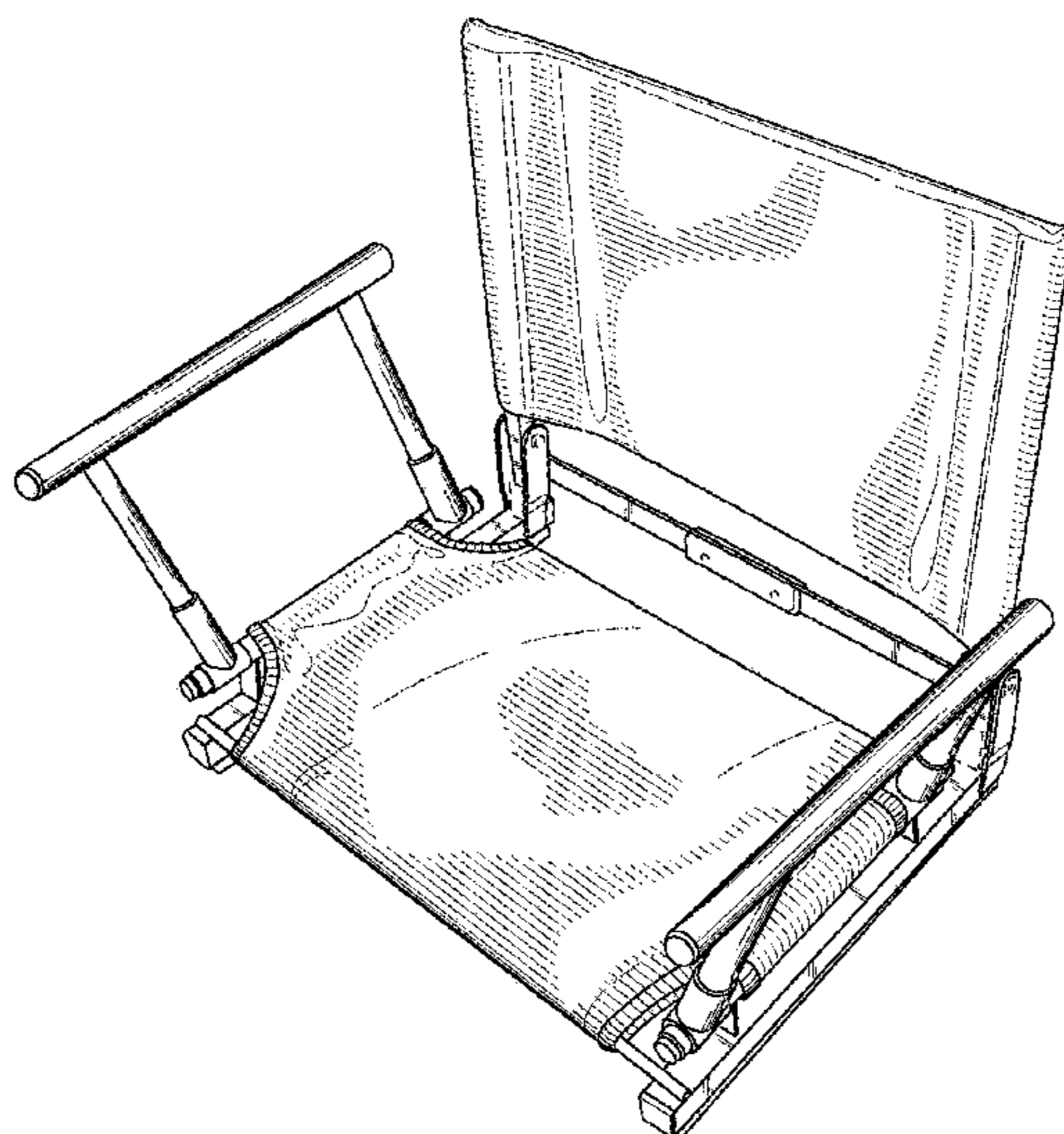
The evenly-spaced broken lines in all views are directed to the environment, are for informational purposes only, and form no part of the claimed design.

(56) **References Cited**

U.S. PATENT DOCUMENTS

1,814,497 A * 7/1931 Thompson A47C 1/16
297/252
2,545,840 A * 3/1951 Browne A47C 1/16
297/252
2,957,515 A * 10/1960 Gibson A47C 1/16
297/252
4,065,173 A * 12/1977 Gittings A47C 4/283
297/45
D267,057 S * 11/1982 Koehm D6/368

1 Claim, 6 Drawing Sheets



(56)

References Cited

U.S. PATENT DOCUMENTS

D771,400 S * 11/2016 DoVale D6/368

* cited by examiner

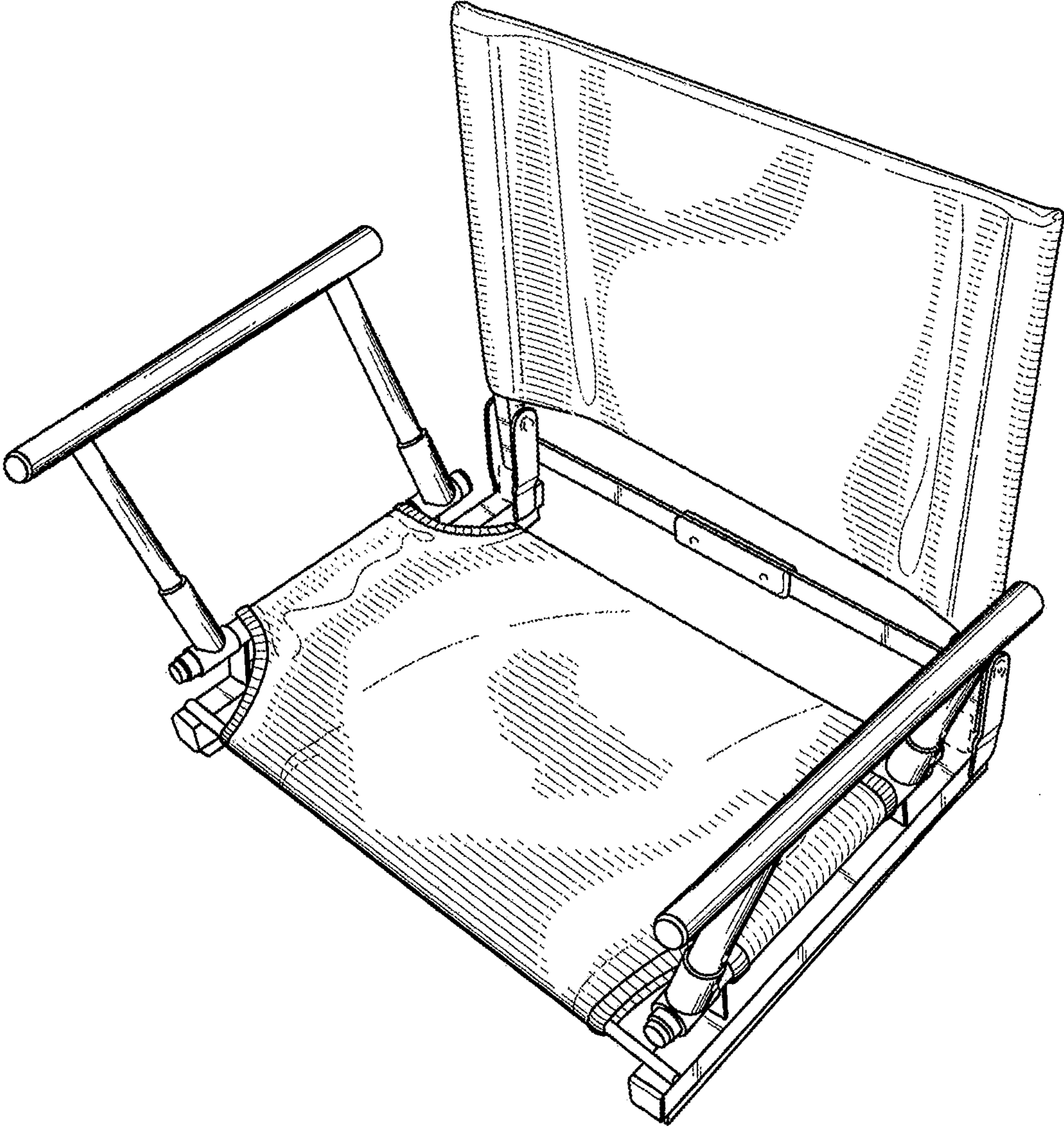


FIG. 1

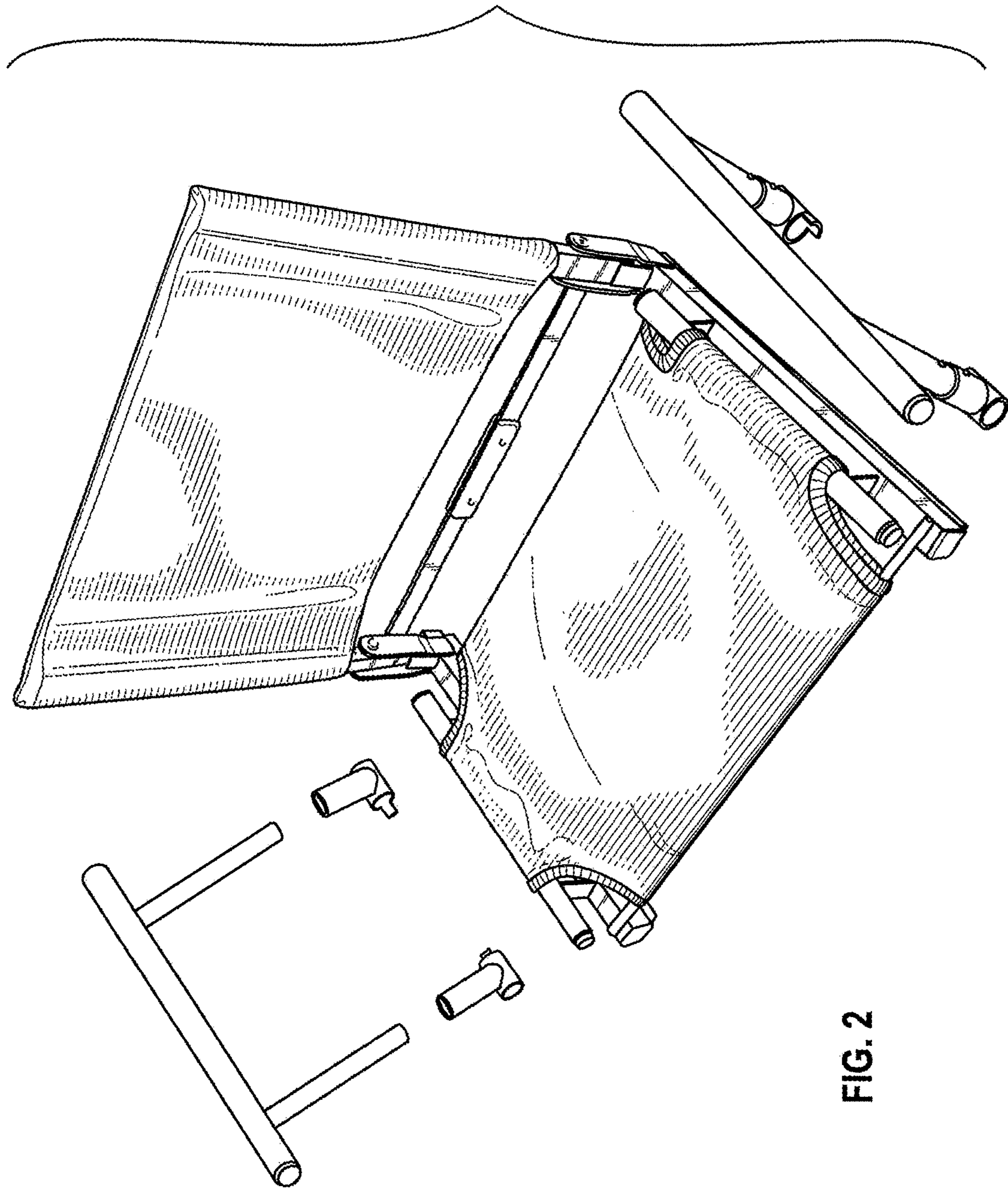


FIG. 2

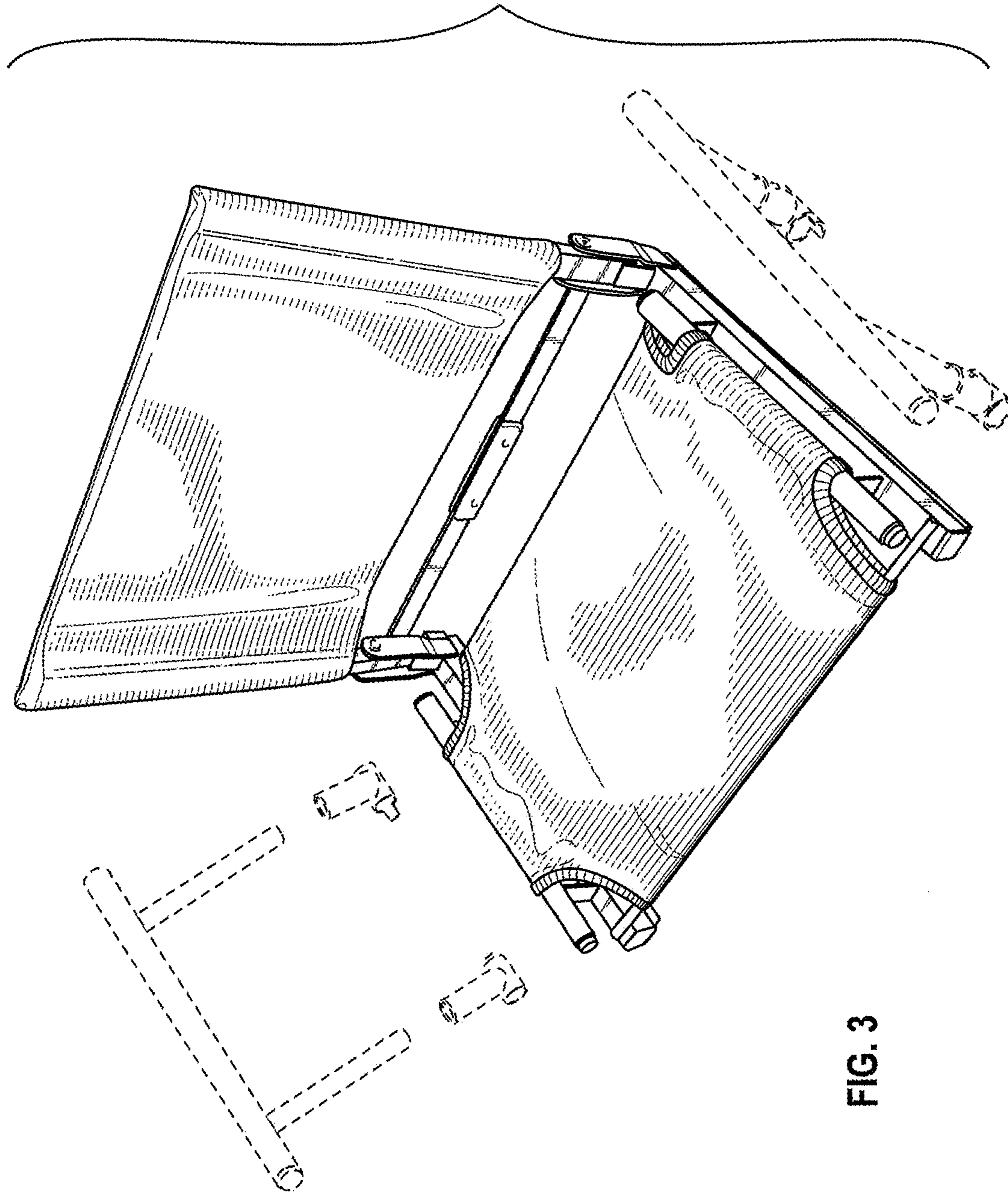


FIG. 3

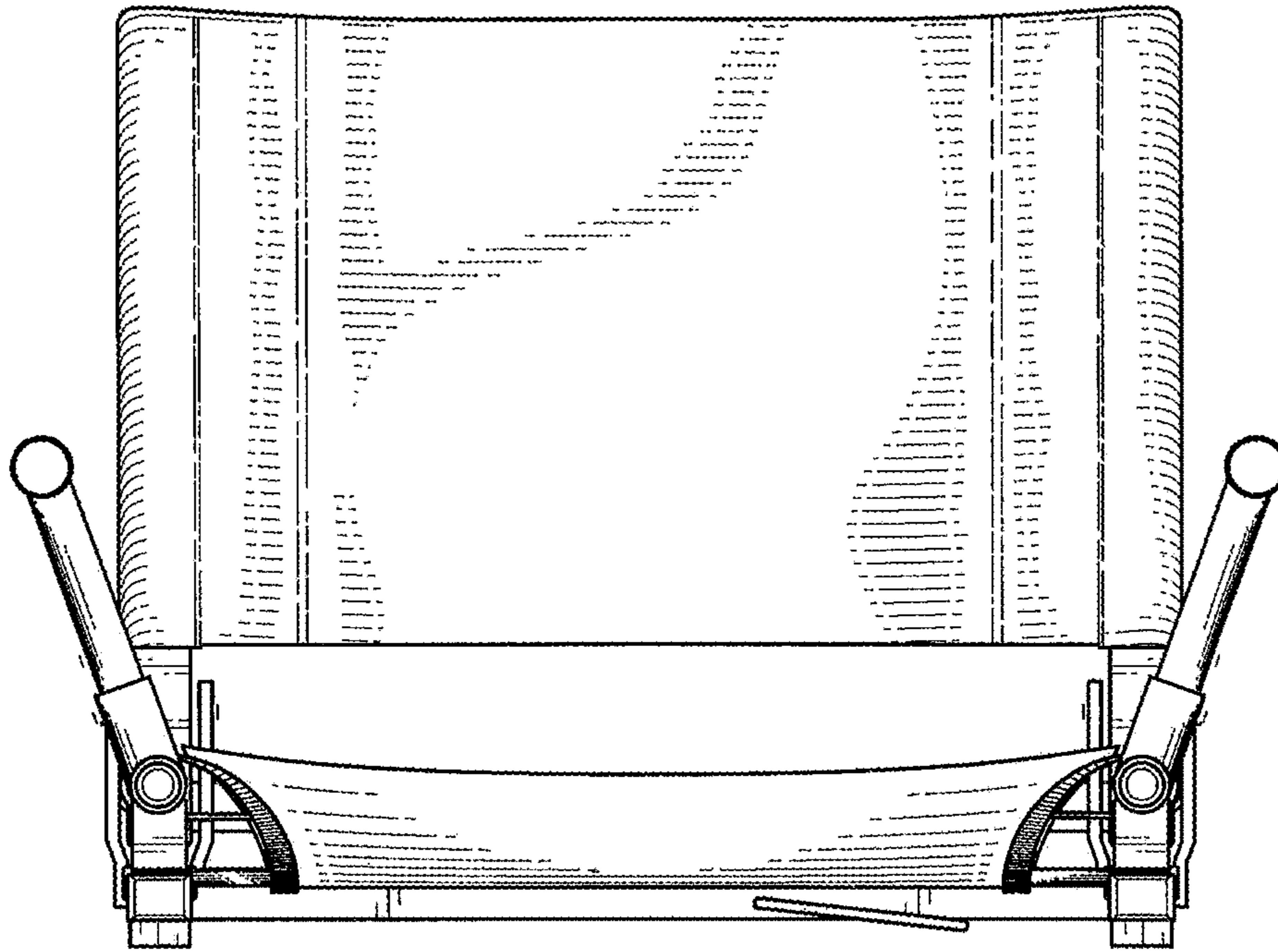


FIG. 4

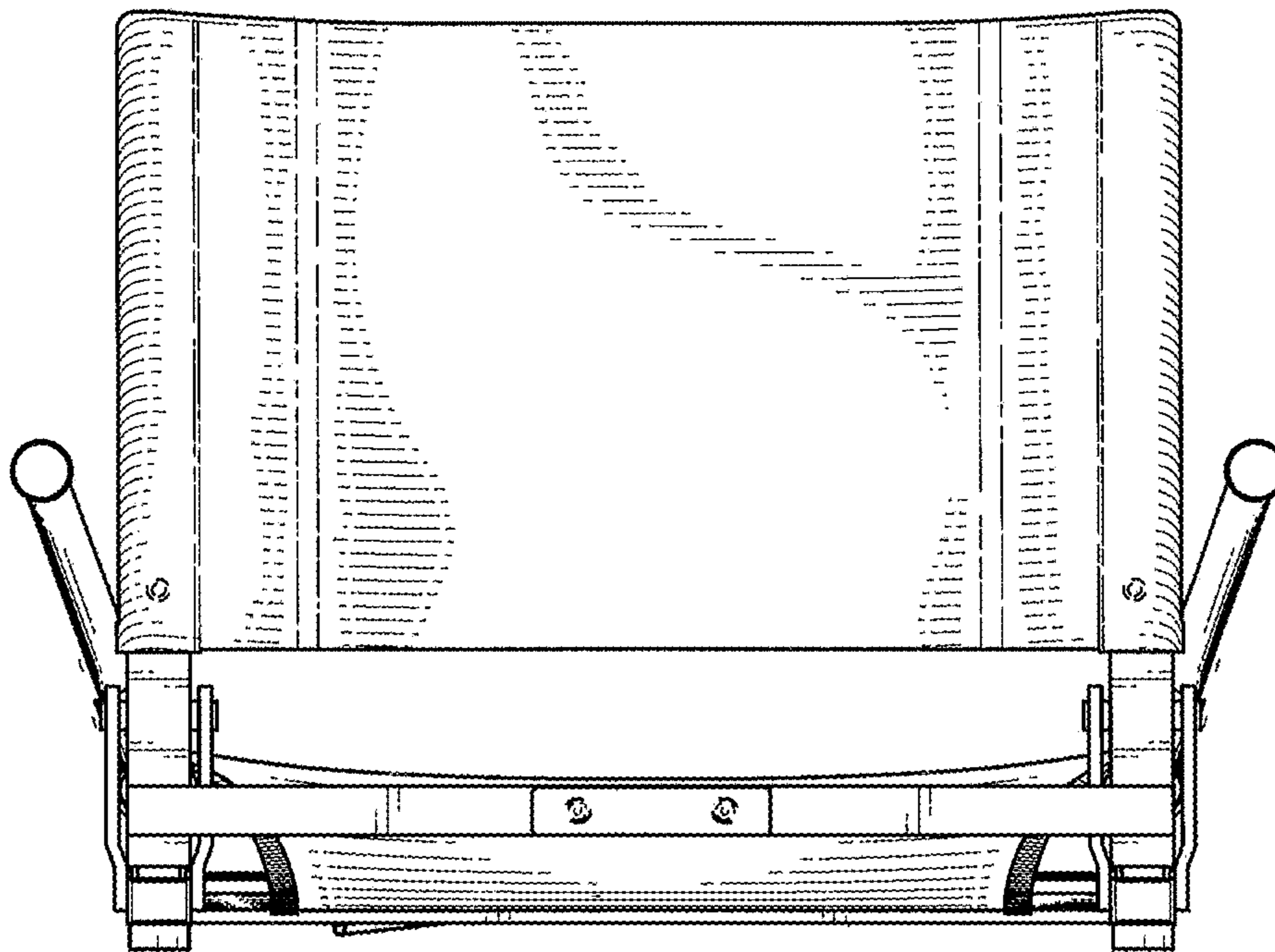


FIG. 5

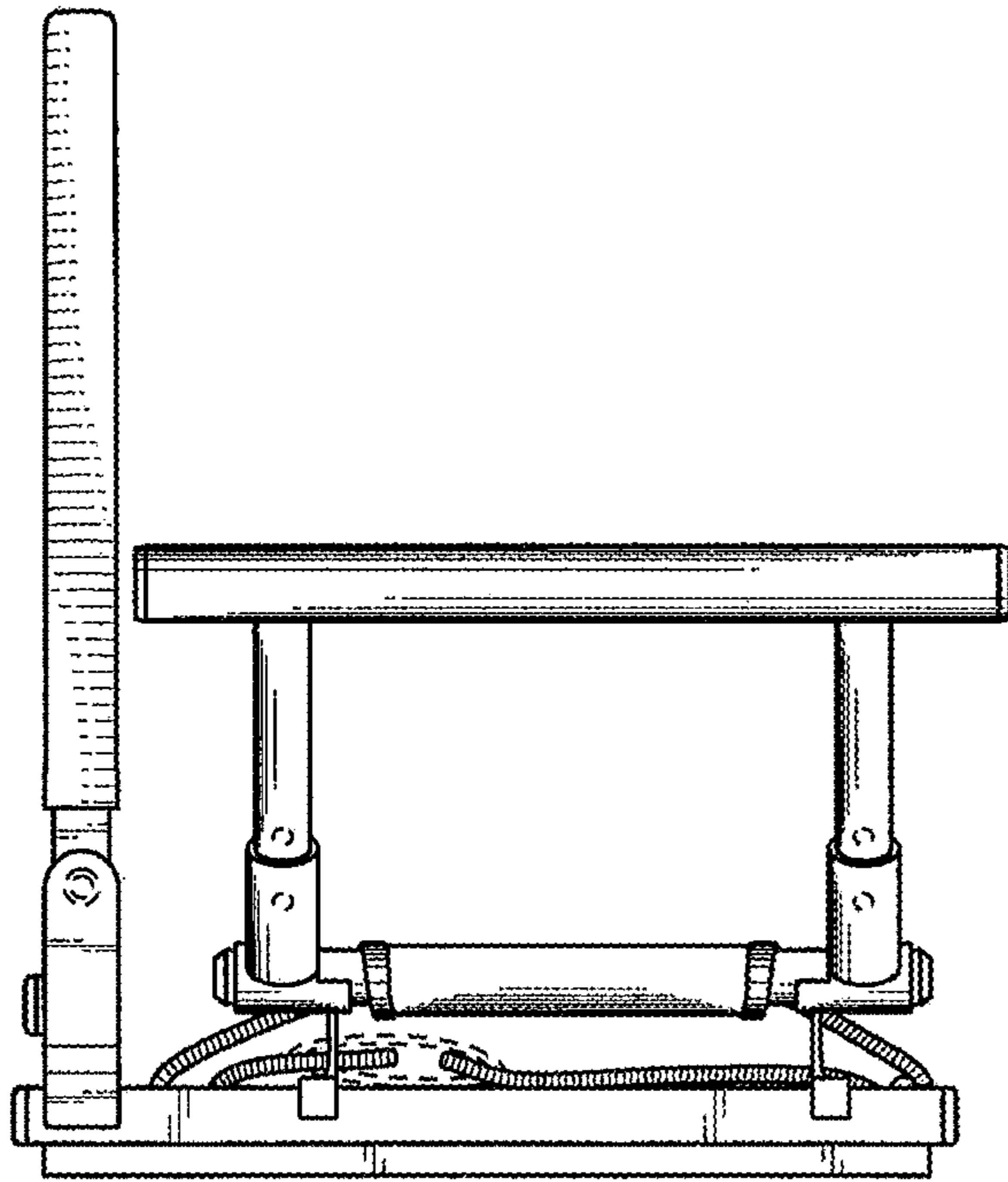


FIG. 6

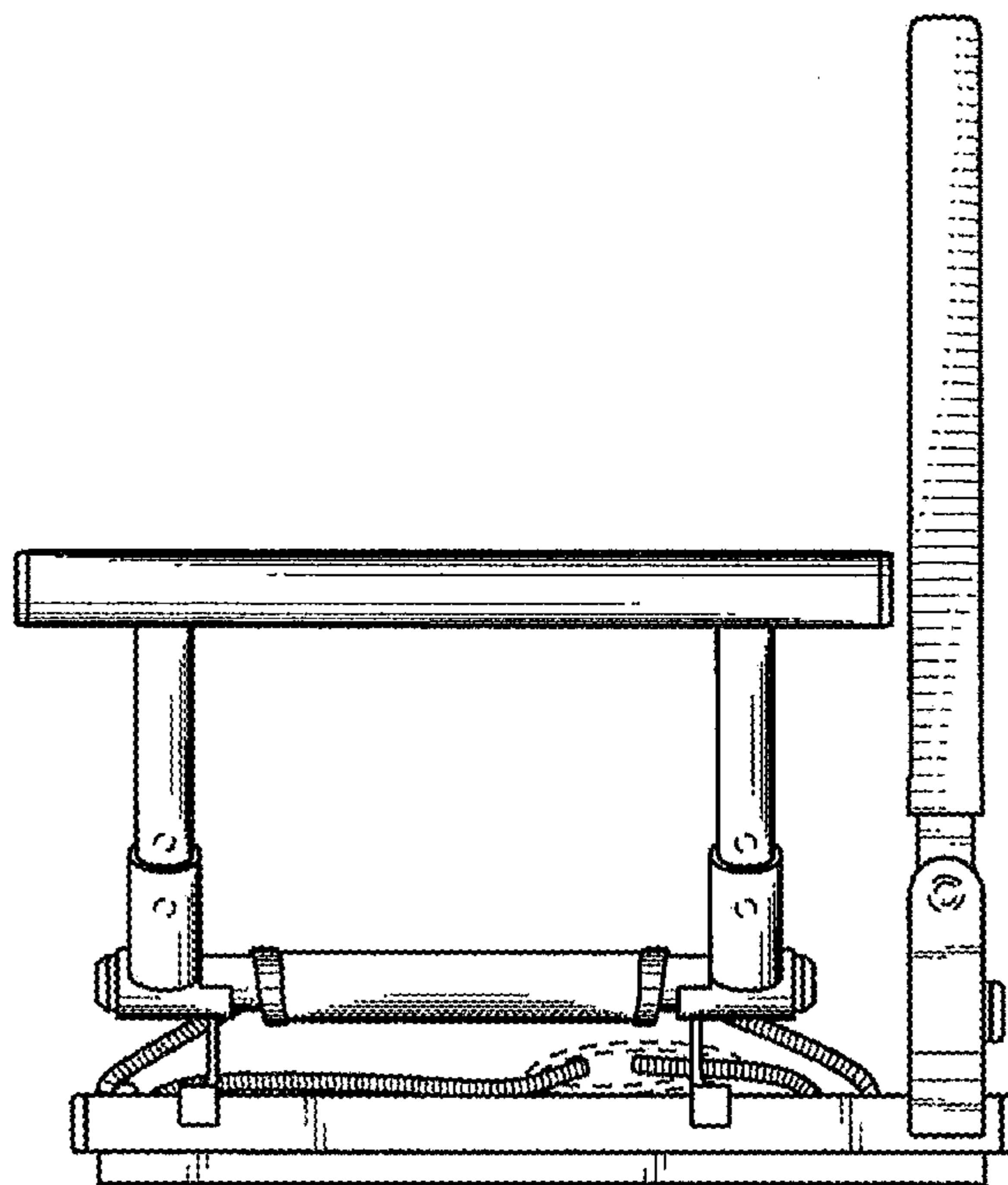


FIG. 7

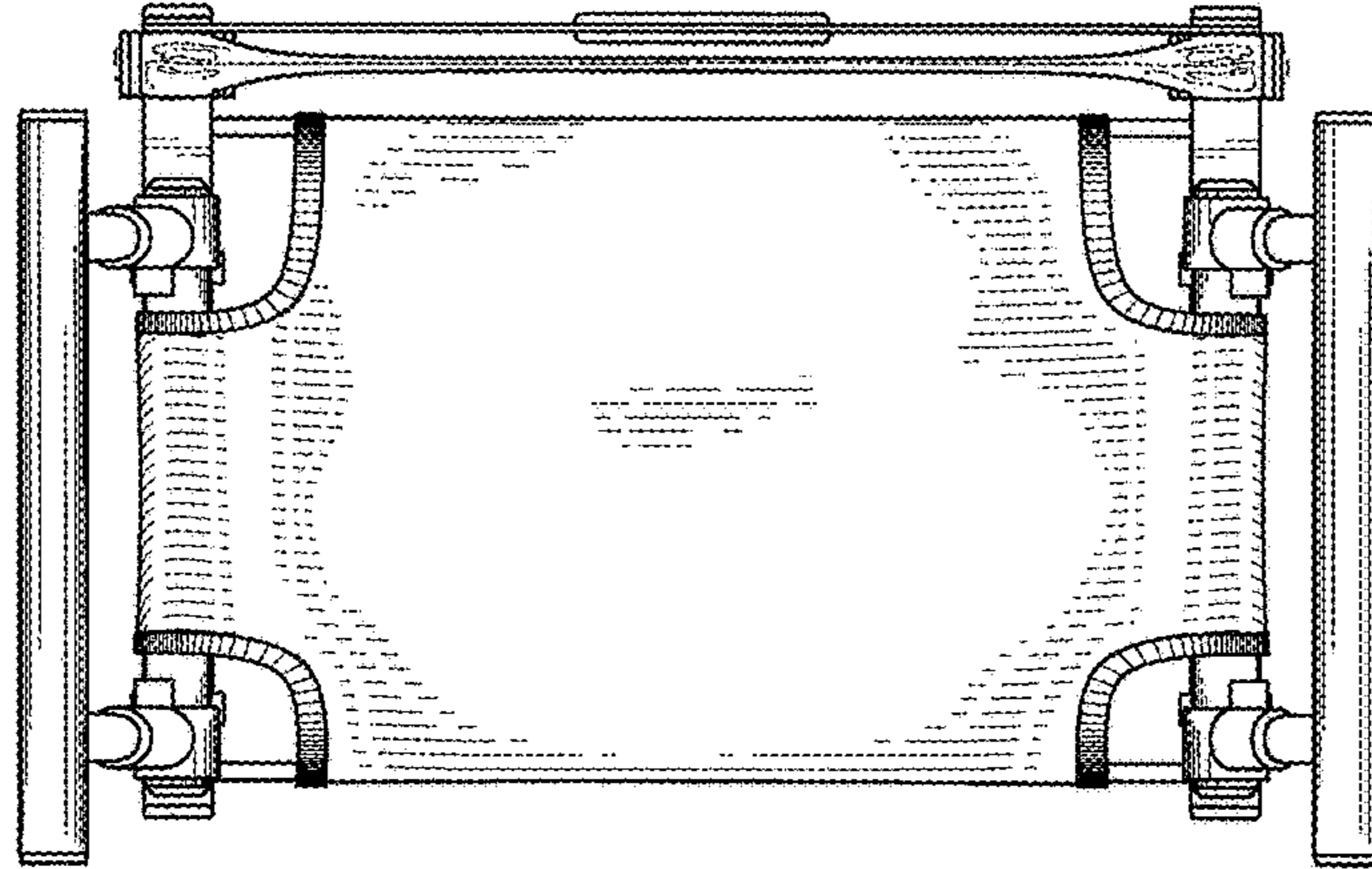


FIG. 8

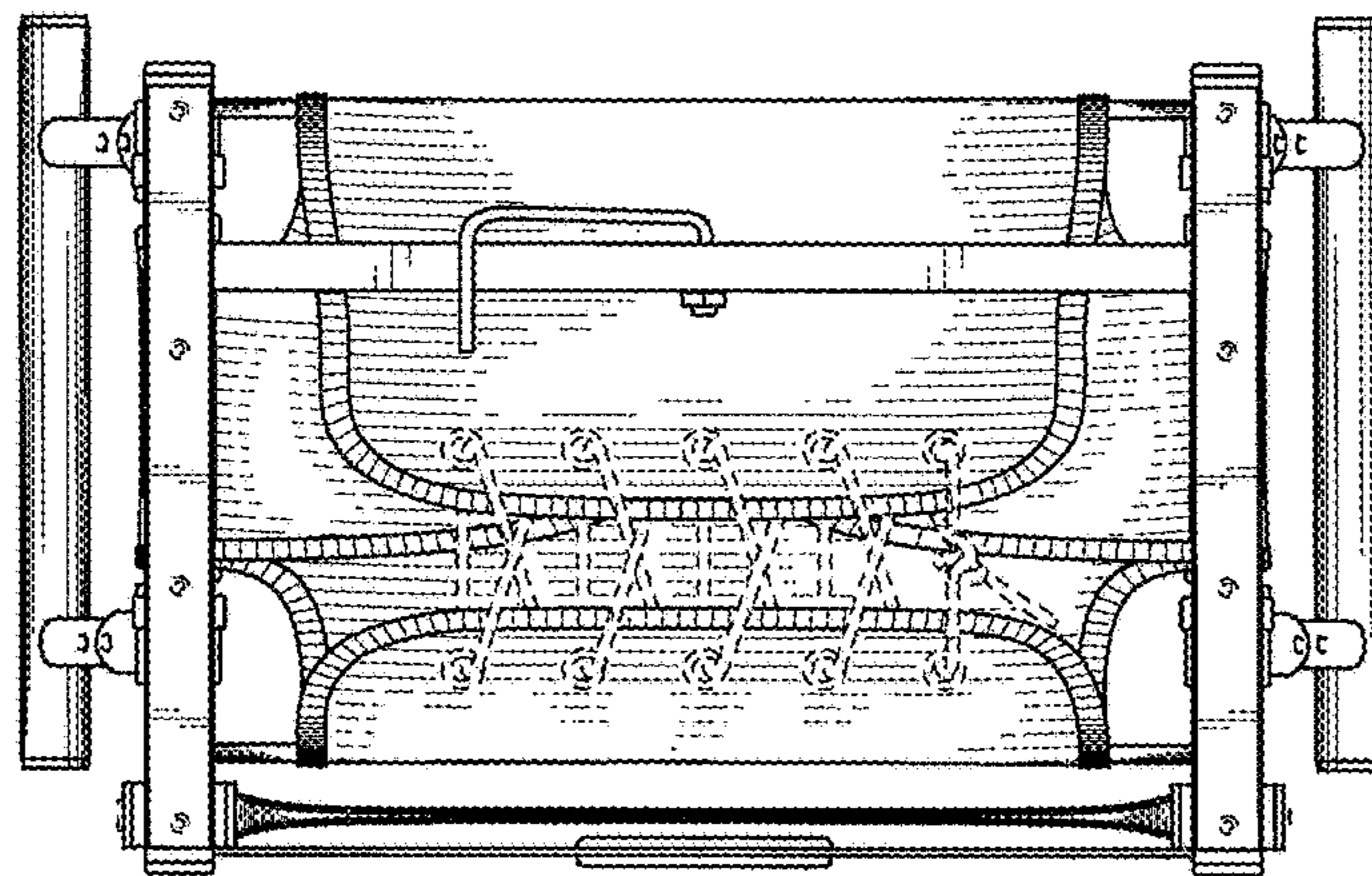


FIG. 9