



US00D802315S

(12) **United States Design Patent**
Meda

(10) **Patent No.:** **US D802,315 S**

(45) **Date of Patent:** **** Nov. 14, 2017**

(54) **CHAIR**

(71) Applicant: **Vitra Patente AG**, Birsfelden (CH)

(72) Inventor: **Alberto Meda**, Milan (IT)

(73) Assignee: **VITRA PATENTE AG**, Birsfelden (CH)

(**) Term: **15 Years**

(21) Appl. No.: **29/573,942**

(22) Filed: **Aug. 10, 2016**

(30) **Foreign Application Priority Data**

May 13, 2016 (WO) DM090703

(51) **LOC (10) Cl.** **06-01**

(52) **U.S. Cl.**
USPC **D6/366**

(58) **Field of Classification Search**

USPC D6/334-336, 364, 365, 366, 374, 379,
D6/380, 716, 716.1, 716.2, 716.4, 708.23,
D6/708.24

CPC .. A47C 7/54; A47C 3/24; A47C 7/022; A47C
7/40; A47C 7/46; A47C 7/462; A47C
7/24; A47C 7/004

See application file for complete search history.

(56) **References Cited**

U.S. PATENT DOCUMENTS

D360,316 S	7/1995	Hodge et al.
D367,980 S	3/1996	Hodge et al.
D390,712 S	2/1998	Koepke et al.
D400,018 S	10/1998	James et al.
D445,580 S	7/2001	Pennington et al.
D446,397 S	8/2001	Pennington et al.
D453,079 S	1/2002	Ma
D467,443 S	12/2002	Kwon

6,572,190 B2	6/2003	Koepke et al.
D540,079 S	4/2007	Bock
D540,080 S	4/2007	Su
D541,061 S	4/2007	Benden et al.
D541,062 S	4/2007	Su
D549,014 S	8/2007	Donati
D558,995 S	1/2008	Igarashi et al.
7,347,495 B2	3/2008	Beyer et al.
D566,410 S	4/2008	Neil
D567,522 S *	4/2008	Igarashi D6/366
D570,624 S *	6/2008	Kang D6/366
D572,948 S	7/2008	Kouichi et al.
D576,813 S	9/2008	Baldanzi et al.
D579,682 S	11/2008	Neil
D582,170 S	12/2008	Chi
D584,901 S	1/2009	Massaud
7,517,024 B2	4/2009	Cvek et al.
D597,330 S	8/2009	Neil
D613,085 S	4/2010	Fujita
D613,086 S	4/2010	Fujita
D640,477 S	6/2011	Neil
D640,478 S	6/2011	Neil
D646,915 S	10/2011	Schweikarth et al.
D649,796 S	12/2011	Lievore et al.
D650,617 S	12/2011	Chen

(Continued)

Primary Examiner — Mimosa De

(74) *Attorney, Agent, or Firm* — Dorsey & Whitney LLP

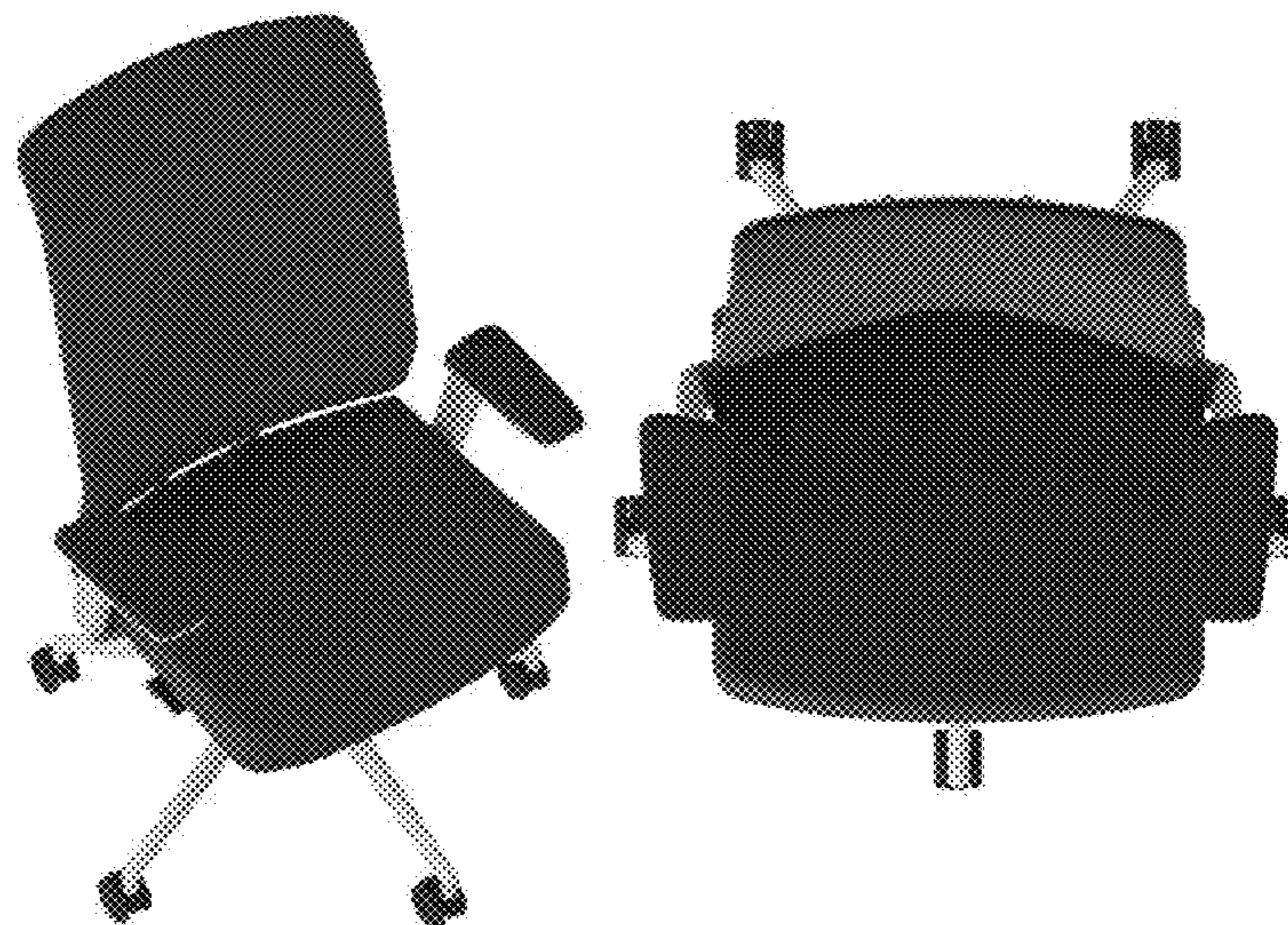
(57) **CLAIM**

The ornamental design of a chair, as shown and described.

DESCRIPTION

FIG. 1 is a front perspective-view of a chair;
FIG. 2 is a front view thereof;
FIG. 3 is a left-side view thereof;
FIG. 4 is a back view thereof;
FIG. 5 is a right-side view thereof;
FIG. 6 is a top view thereof; and,
FIG. 7 is a bottom view thereof.

1 Claim, 7 Drawing Sheets



(56)

References Cited

U.S. PATENT DOCUMENTS

D652,646 S	1/2012	Fujita	
D653,467 S	2/2012	Ballendat	
D654,280 S *	2/2012	Fujita	D6/366
D656,752 S	4/2012	Moll	
D658,904 S	5/2012	Chen	
D661,505 S	6/2012	Ballendat	
D665,589 S *	8/2012	Wagner	D6/366
D665,590 S	8/2012	Wagner	
D666,032 S	8/2012	Su	
D671,330 S	11/2012	Izawa	
D671,332 S	11/2012	Izawa	
D671,759 S	12/2012	Hurford	
D679,107 S *	4/2013	Darrow	D6/366
D683,172 S	5/2013	Su	
D683,552 S	6/2013	Wu	
D683,574 S	6/2013	Su	
D687,641 S *	8/2013	Barrell	D6/366
D694,541 S	12/2013	Breen	
D695,538 S	12/2013	Geelen	
D697,330 S	1/2014	Chen	
D701,068 S	3/2014	Usumoto et al.	
D702,977 S	4/2014	Bonneywell	
D703,966 S	5/2014	Wu	
D708,882 S *	7/2014	Hsuan-Chin	D6/716.4
D714,069 S	9/2014	Cvek	
D736,532 S	8/2015	Ballendat	
D758,087 S	6/2016	Bonneywell	
D767,320 S	9/2016	Xingchang	
D768,401 S	10/2016	Lievore et al.	
D773,199 S	12/2016	Neil	
D781,604 S	3/2017	Smith et al.	
D781,605 S	3/2017	Smith et al.	
9,648,957 B2	5/2017	Su	

* cited by examiner

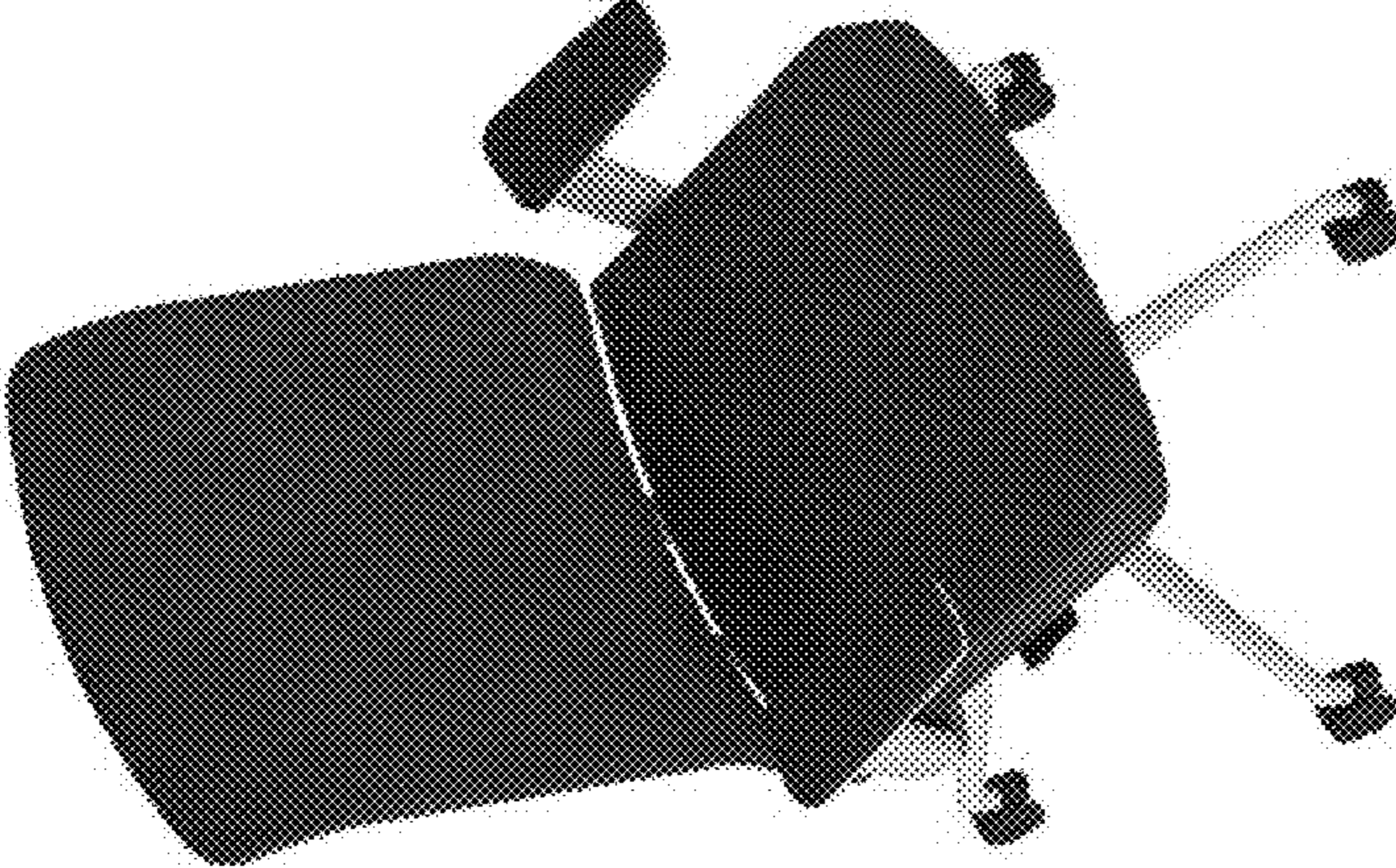


Fig. 1

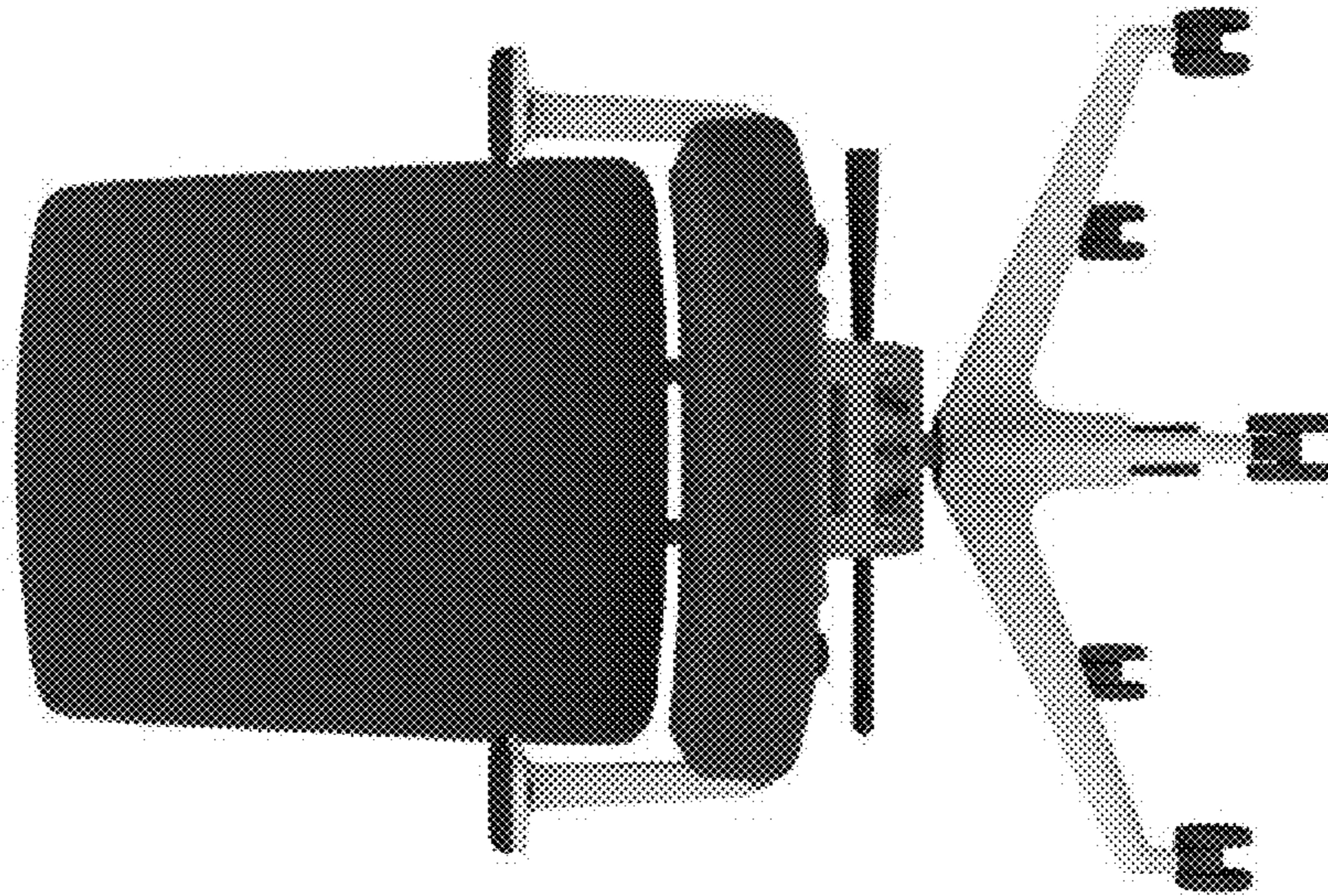


Fig. 2

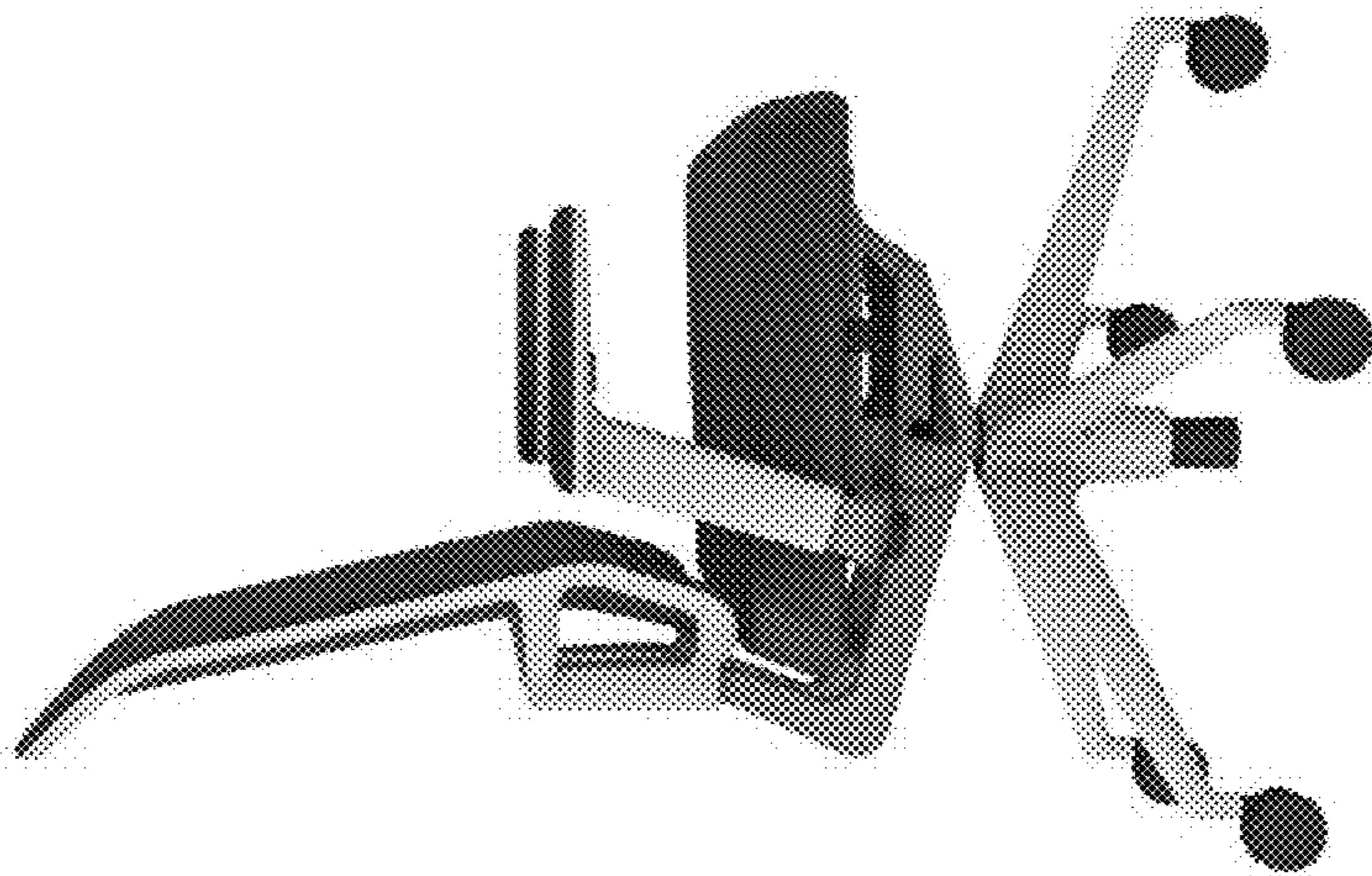


Fig. 3

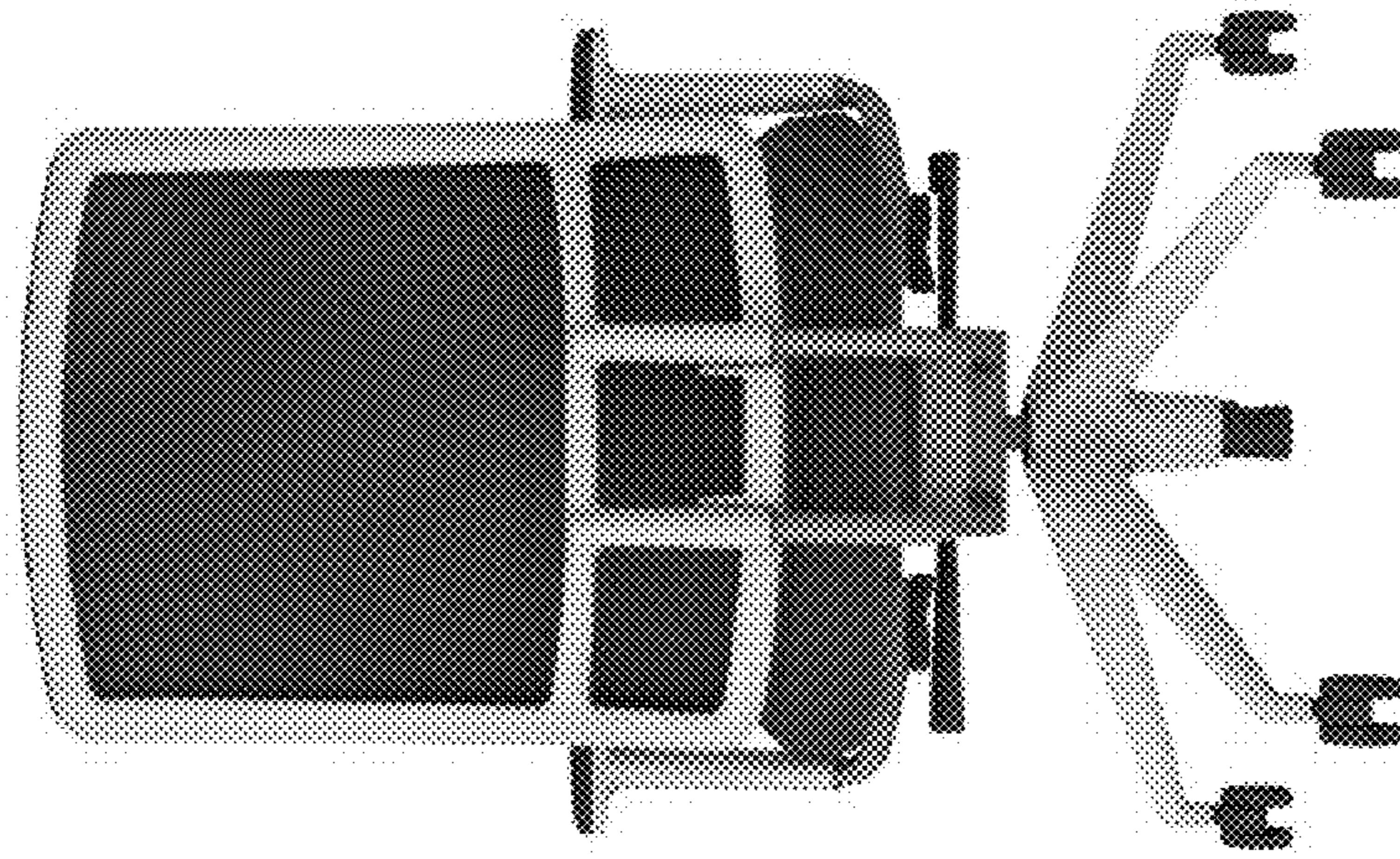


Fig. 4

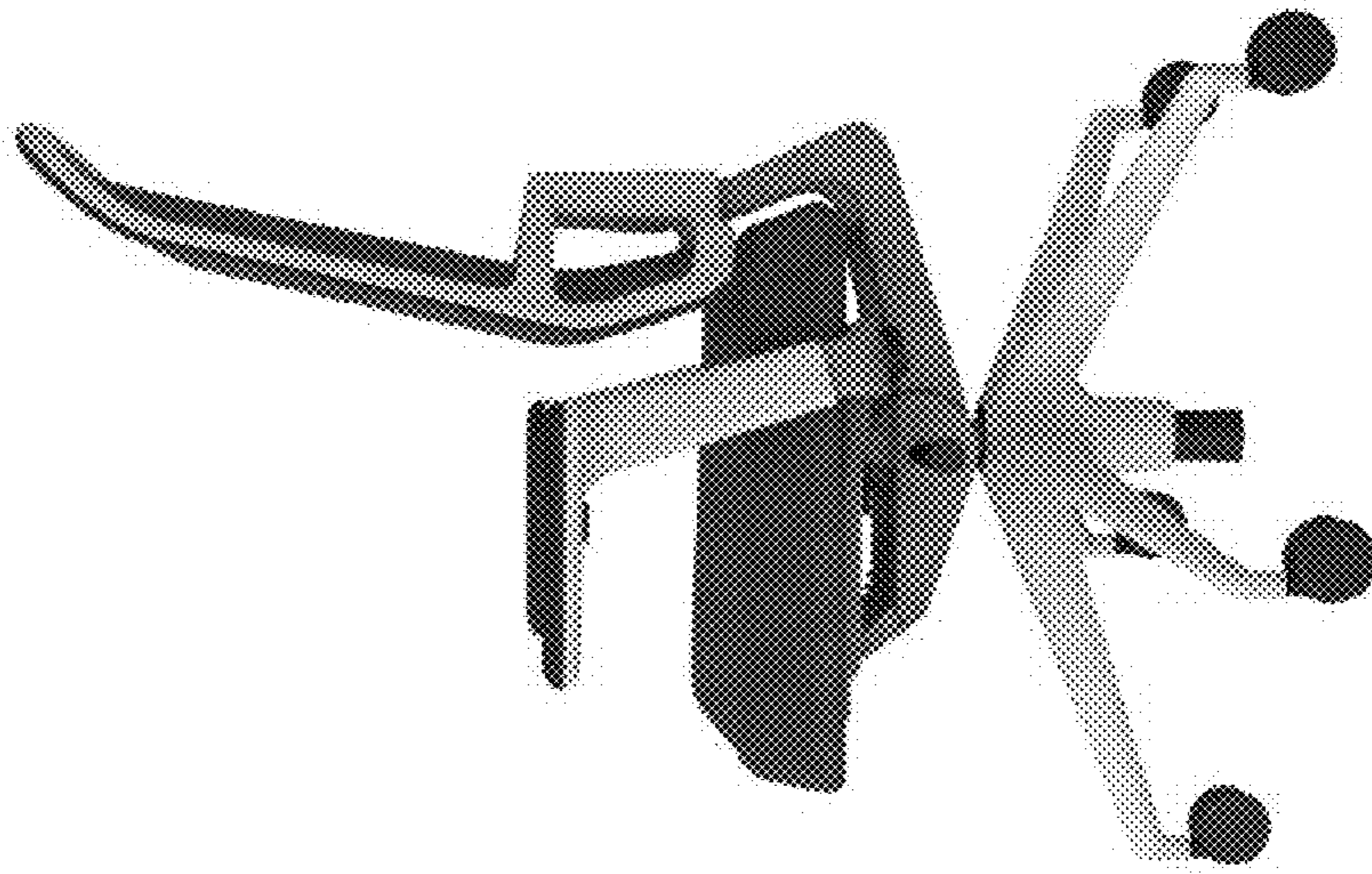


Fig. 5

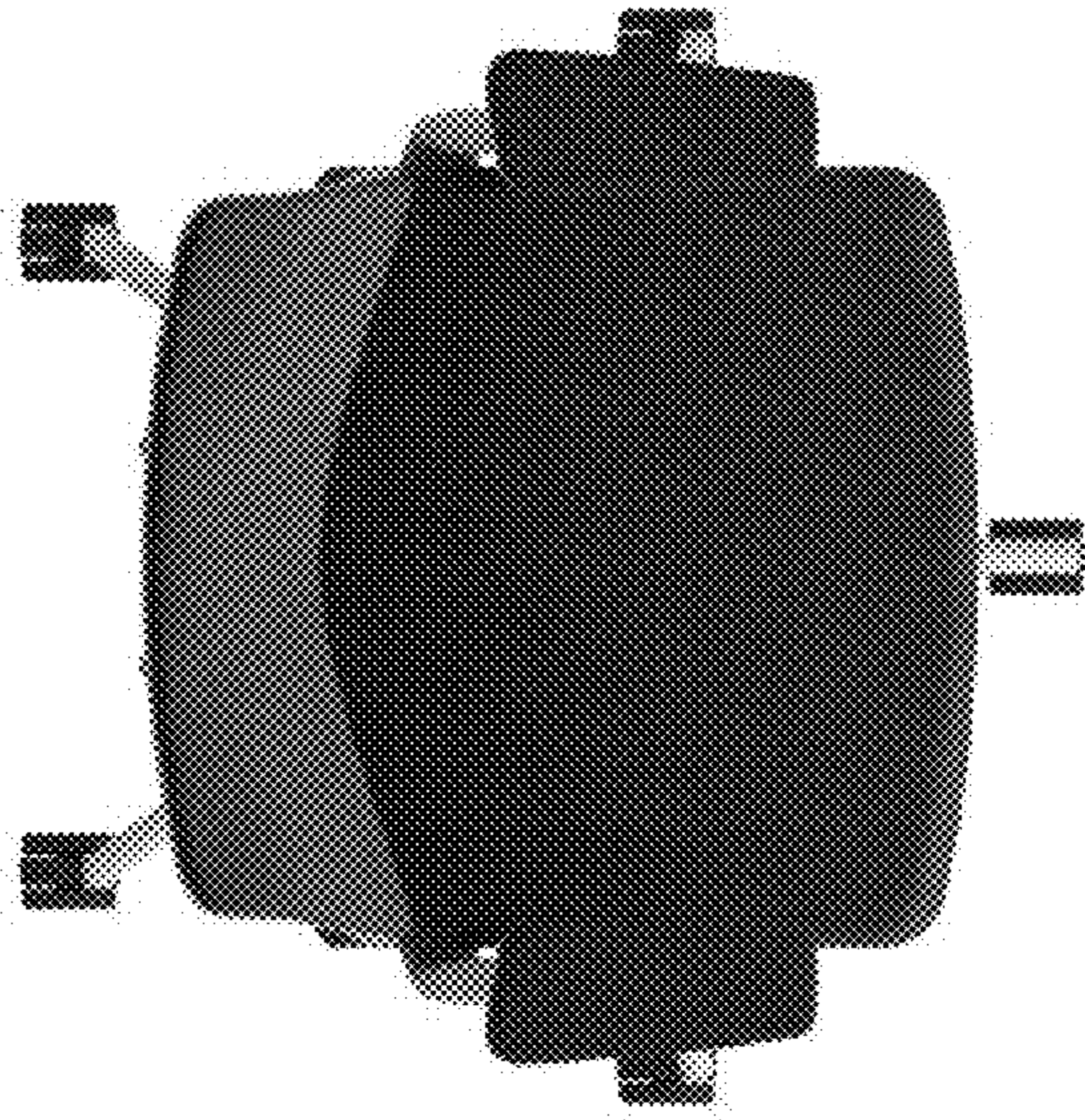


Fig. 6

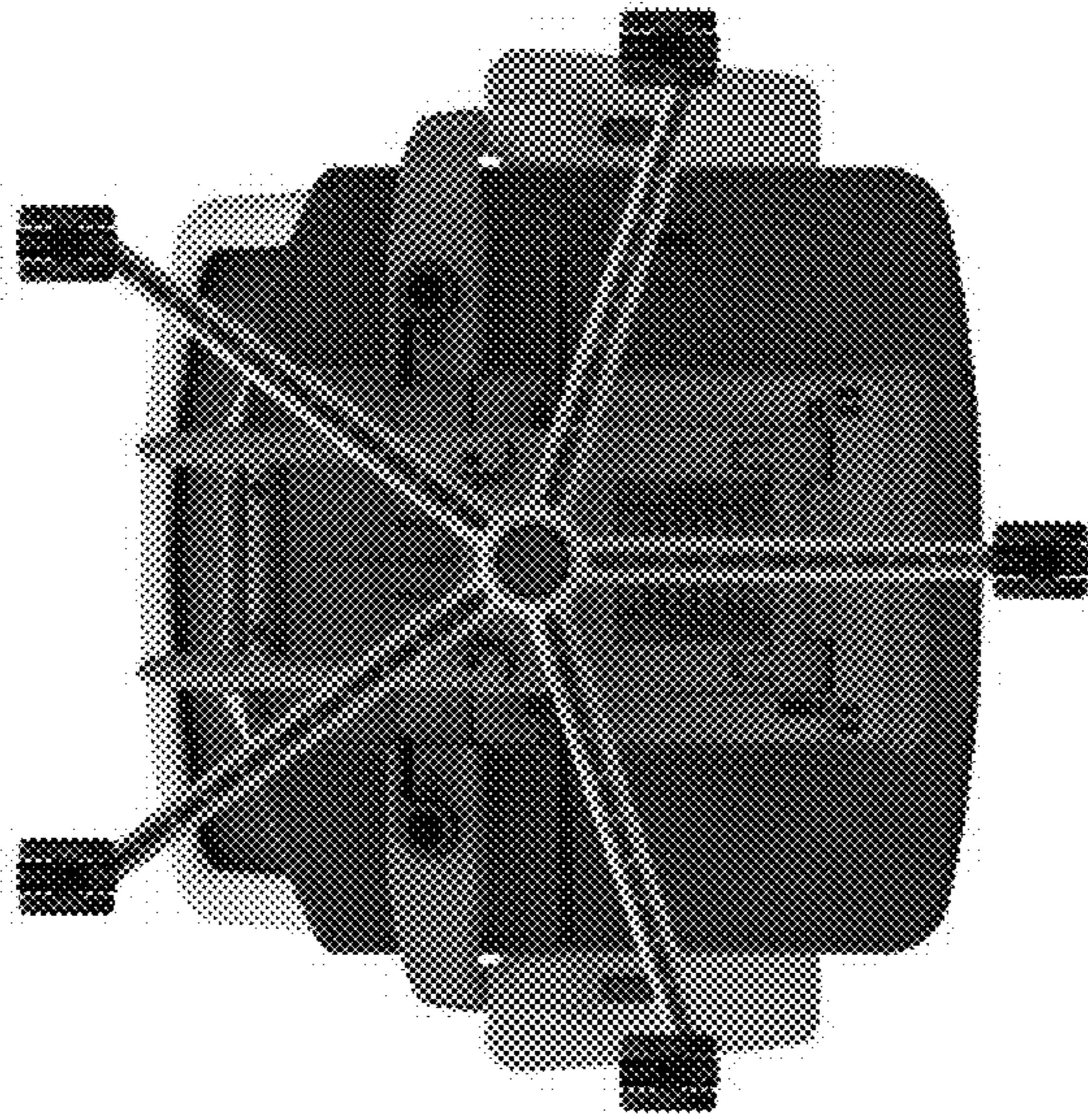


Fig. 7