



US00D802314S

(12) **United States Design Patent**  
**Barber et al.**

(10) **Patent No.:** **US D802,314 S**

(45) **Date of Patent:** **\*\* Nov. 14, 2017**

(54) **CHAIR**

(71) Applicant: **Vitra Patente AG**, Birsfelden (CH)

(72) Inventors: **Edward Barber**, London (GB); **Jay Osgerby**, London (GB)

(73) Assignee: **VITRA PATENTE AG**, Birsfelden (CH)

(\*\*) Term: **15 Years**

(21) Appl. No.: **29/573,914**

(22) Filed: **Aug. 10, 2016**

(30) **Foreign Application Priority Data**

May 13, 2016 (WO) ..... DM/090703

(51) **LOC (10) Cl.** ..... **06-01**

(52) **U.S. Cl.**  
USPC ..... **D6/366**

(58) **Field of Classification Search**

USPC ..... D6/334-336, 364, 365, 366, 374, 379,  
D6/380, 716, 716.1, 716.2, 716.4, 708.23,  
D6/708.24

CPC .... A47C 7/38; A47C 7/54; A47C 3/24; A47C  
7/022; A47C 7/40; A47C 7/46; A47C  
7/24; A47C 7/004

See application file for complete search history.

(56) **References Cited**

**U.S. PATENT DOCUMENTS**

D327,988 S *	7/1992	Citterio	.....	D6/366
D360,316 S *	7/1995	Hodge	.....	D6/366
D367,980 S *	3/1996	Hodge	.....	D6/716
D390,712 S *	2/1998	Koepke	.....	D6/360
D400,018 S *	10/1998	James	.....	D6/366
D445,580 S	7/2001	Pennington et al.		
D446,397 S	8/2001	Pennington et al.		

D453,079 S	1/2002	Ma		
D467,443 S *	12/2002	Kwon	.....	D6/366
6,572,190 B2	6/2003	Koepke et al.		
D540,079 S	4/2007	Bock		
D540,080 S	4/2007	Su		
D541,061 S *	4/2007	Benden	.....	D6/366
D541,062 S	4/2007	Su		
D549,014 S	8/2007	Donati		
D550,976 S *	9/2007	Bellini	.....	D6/366
D558,995 S	1/2008	Igarashi et al.		
7,347,495 B2	3/2008	Beyer et al.		
566,410 A1	4/2008	Neil		
D567,522 S	4/2008	Igarashi		
D570,624 S	6/2008	Kang		
D572,948 S	7/2008	Koulchi et al.		
D576,813 S	9/2008	Baldanzi et al.		
D579,682 S *	11/2008	Neil	.....	D6/366
D582,170 S	12/2008	Chi		
D584,901 S	1/2009	Massaud		
7,517,024 B2	4/2009	Cvek et al.		
D597,330 S	8/2009	Neil		
D613,085 S	4/2010	Fujita		
D613,086 S	4/2010	Fujita		
D640,477 S	6/2011	Neil		
D640,478 S *	6/2011	Neil	.....	D6/366

(Continued)

*Primary Examiner* — Mimosa De

(74) *Attorney, Agent, or Firm* — Dorsey & Whitney LLP

(57) **CLAIM**

The ornamental design of a chair, as shown and described.

**DESCRIPTION**

FIG. 1 is a front perspective-view of a chair;  
FIG. 2 is a front view thereof;  
FIG. 3 is a left-side view thereof;  
FIG. 4 is a back view thereof;  
FIG. 5 is a right-side view thereof;  
FIG. 6 is a top view thereof; and,  
FIG. 7 is a bottom view thereof.

**1 Claim, 7 Drawing Sheets**



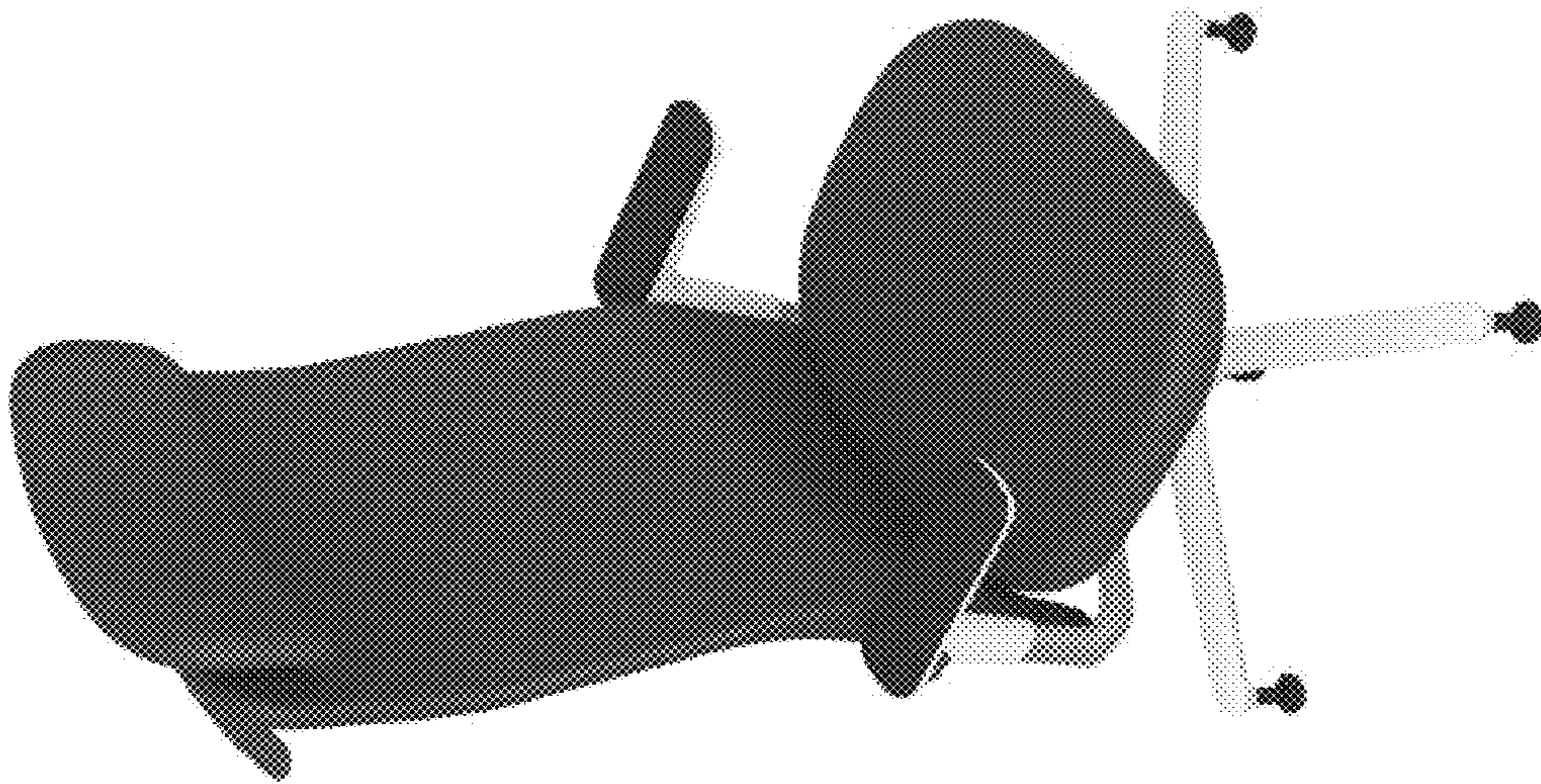
(56)

References Cited

U.S. PATENT DOCUMENTS

D646,915 S	10/2011	Schweikarth et al.	
D649,796 S *	12/2011	Lievore .....	D6/366
650,617 A1	12/2011	Chen	
D652,646 S	1/2012	Fujita	
D653,467 S *	2/2012	Ballendat .....	D6/366
D654,280 S	2/2012	Fujita	
D656,752 S *	4/2012	Moll .....	D6/366
D658,904 S	5/2012	Chen	
D661,505 S *	6/2012	Ballendat .....	D6/366
D665,589 S	8/2012	Wagner	
D665,590 S *	8/2012	Wagner .....	D6/366
D666,032 S	8/2012	Su	
D671,330 S	11/2012	Izawa	
D671,332 S	11/2012	Izawa	
D671,759 S	12/2012	Hurford	
D677,918 S *	3/2013	Citterio .....	D6/366
D679,107 S	4/2013	Darrow et al.	
D683,172 S	5/2013	Su	
D683,552 S	6/2013	Wu	
D683,574 S	6/2013	Su	
D687,641 S	8/2013	Barrell	
D694,541 S *	12/2013	Breen .....	D6/366
D695,538 S *	12/2013	Geelen .....	D6/366
D697,330 S	1/2014	Chen	
D701,068 S	3/2014	Usumoto et al.	
D702,977 S	4/2014	Bonneywell	
D703,966 S	5/2014	Wu	
D708,882 S	7/2014	Hsuan-Chin	
D714,069 S	9/2014	Cvek	
D736,532 S *	8/2015	Ballendat .....	D6/366
D758,087 S	6/2016	Bonneywell	
D767,320 S	9/2016	Xingchang	
D768,401 S	10/2016	Lievore et al.	
D773,199 S	12/2016	Neil	
D781,604 S *	3/2017	Smith .....	D6/366
D781,605 S *	3/2017	Smith .....	D6/366
9,648,957 B2 *	5/2017	Su .....	A47C 7/46

\* cited by examiner



**Fig. 1**

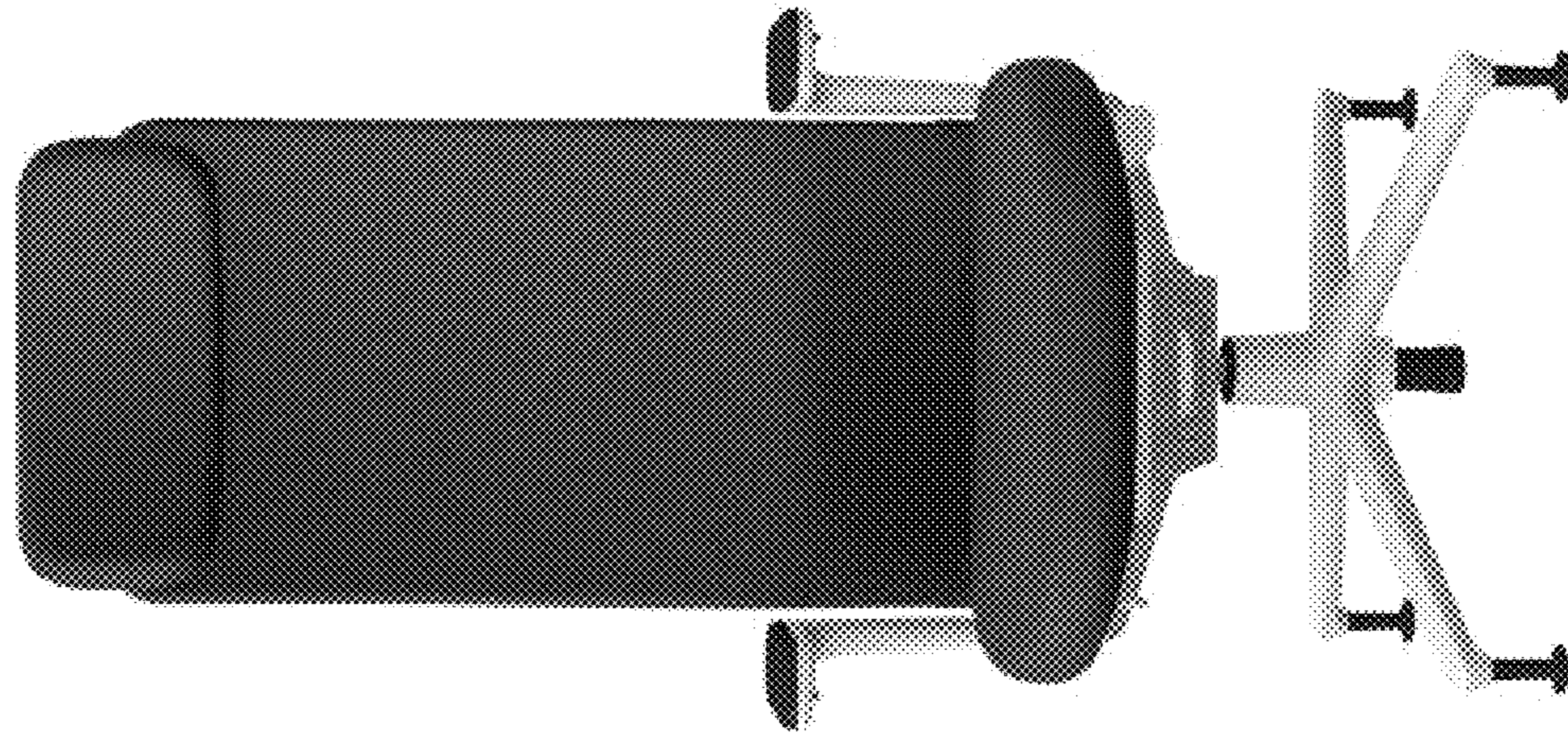


Fig. 2

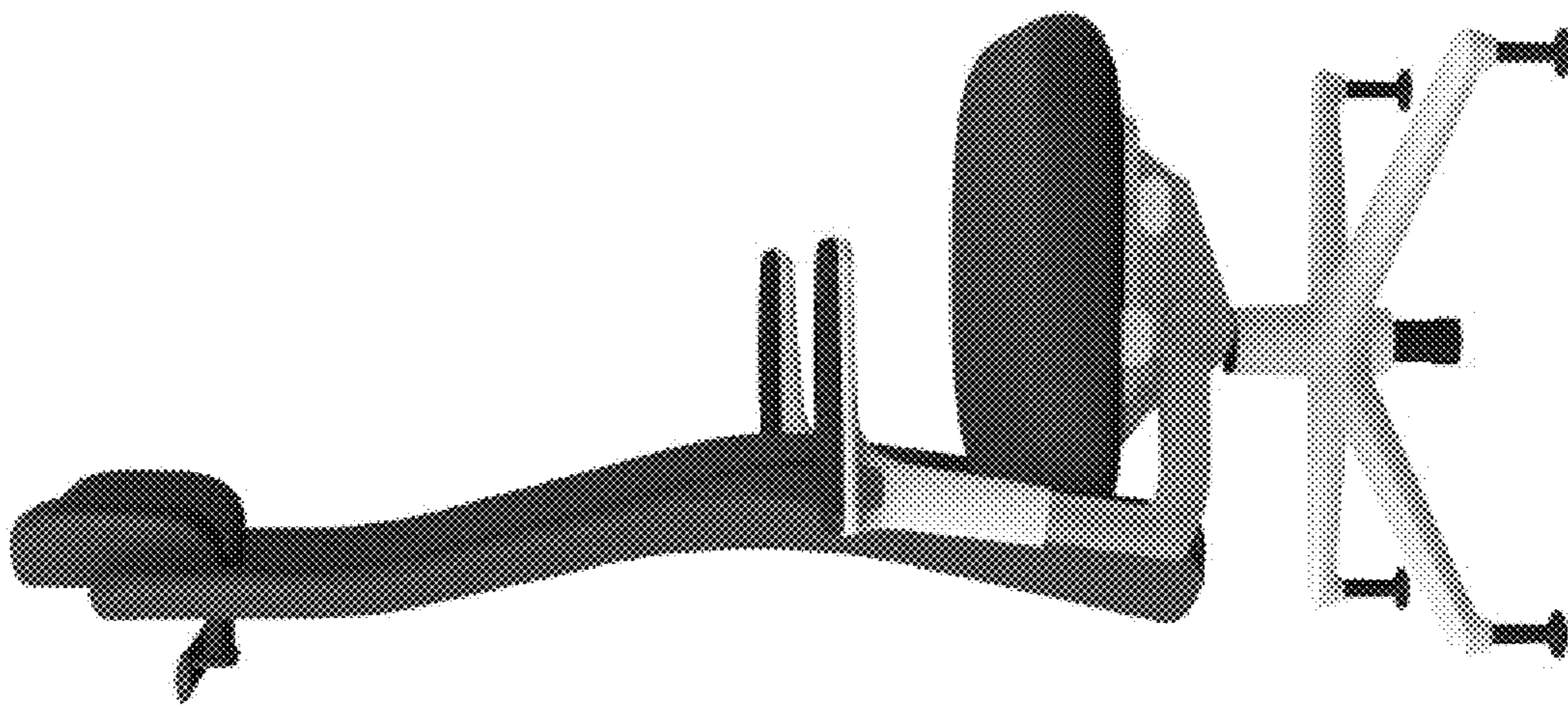


Fig. 3

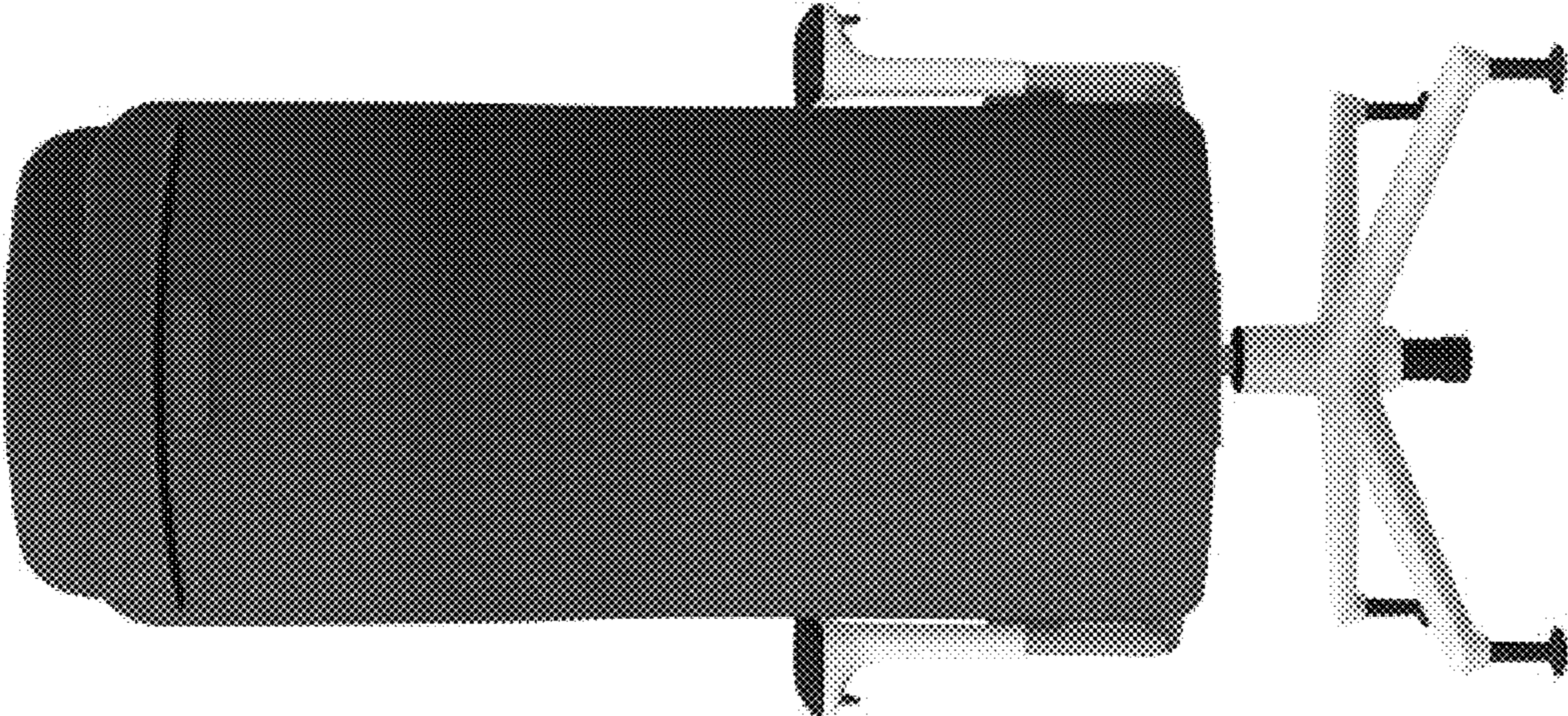


Fig. 4

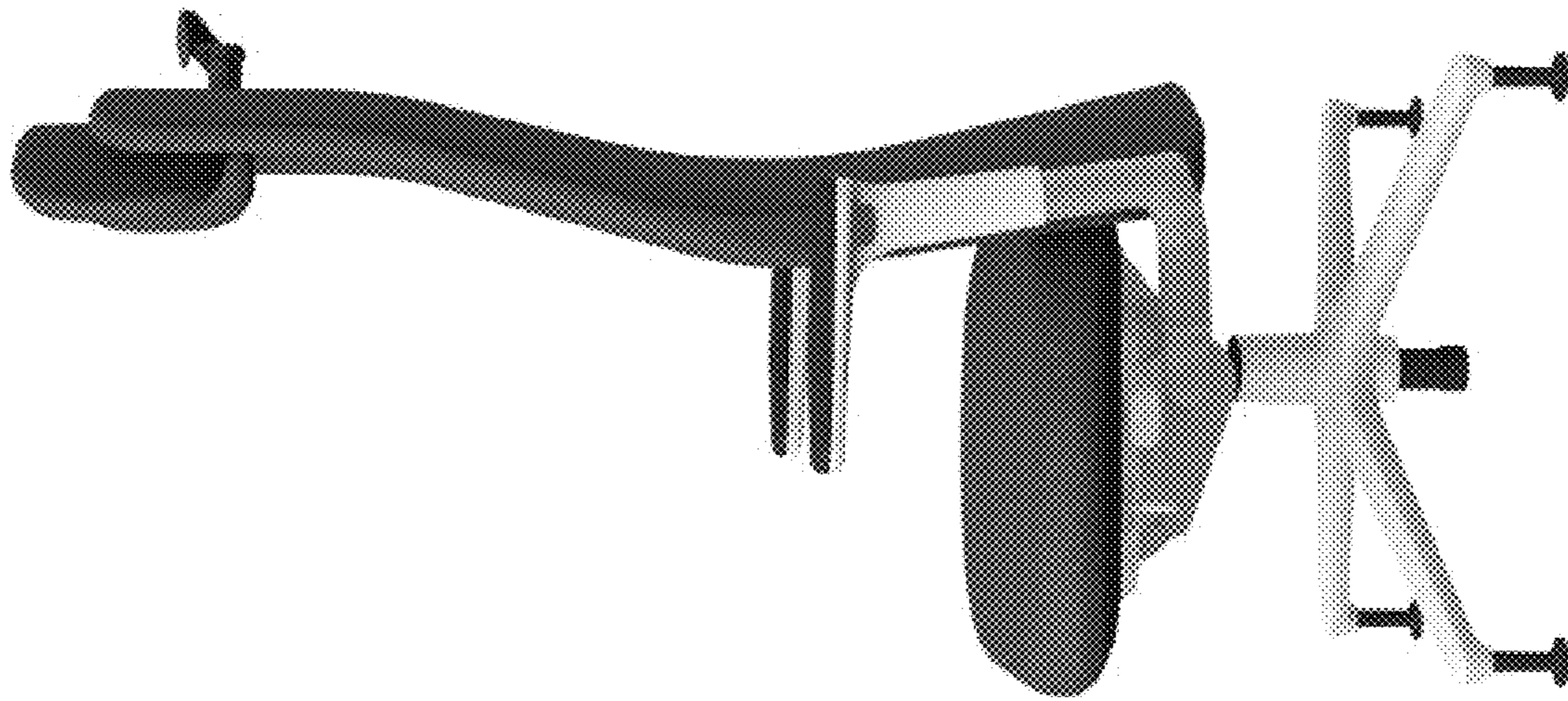
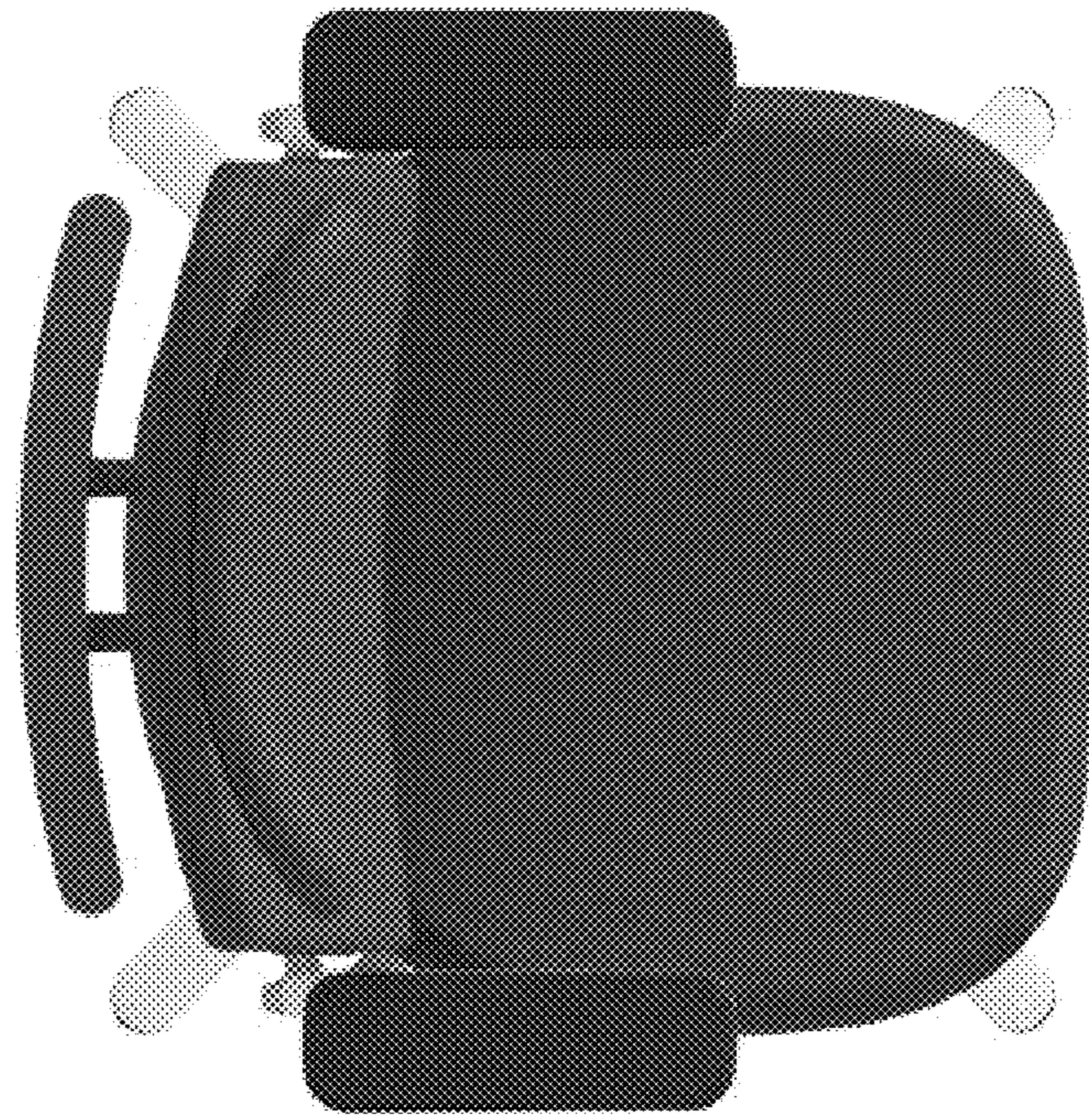


Fig. 5



**Fig. 6**



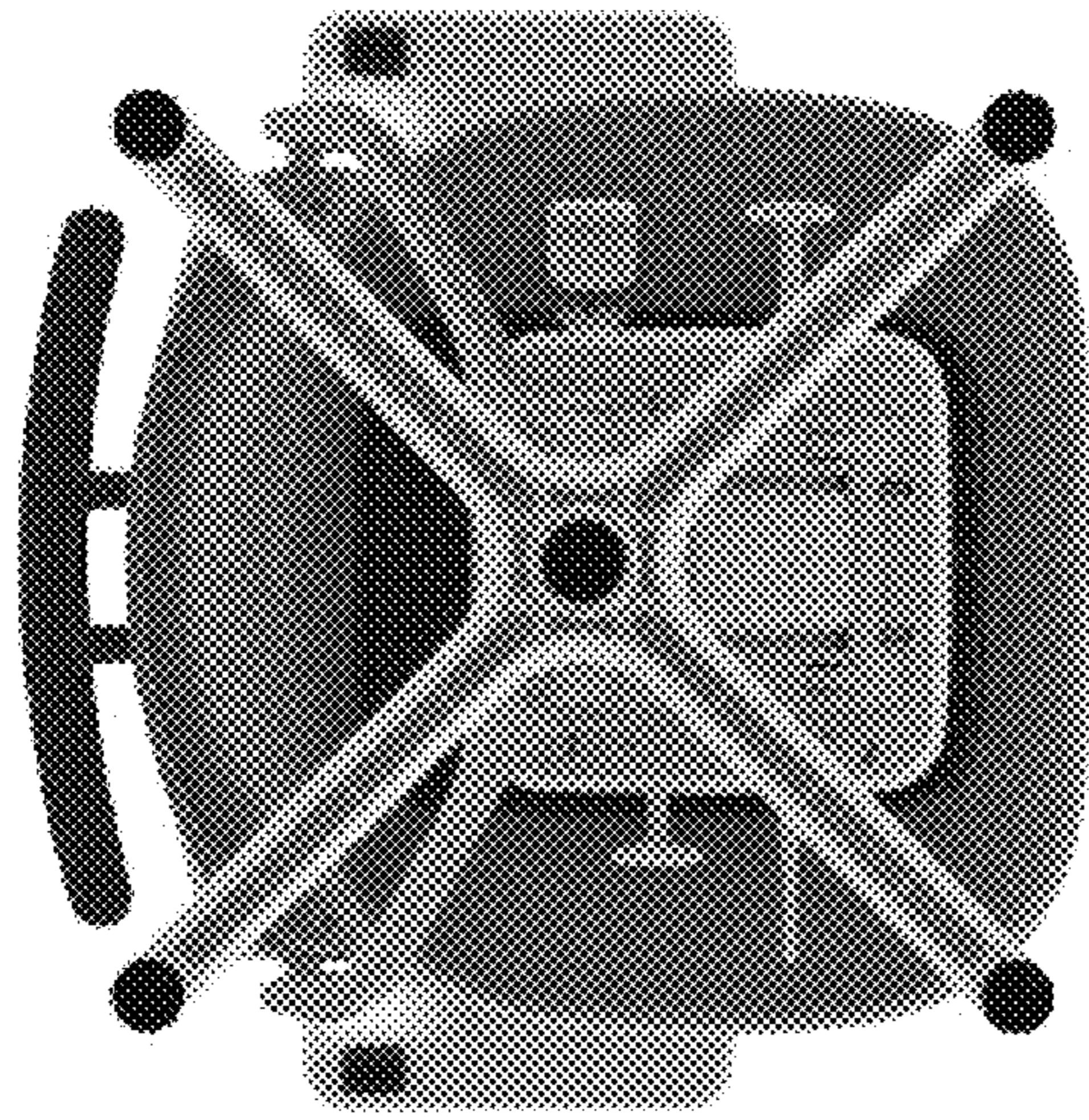


Fig. 7