



US00D802313S

(12) **United States Design Patent**  
**Bernardi**

(10) **Patent No.:** **US D802,313 S**

(45) **Date of Patent:** **\*\* Nov. 14, 2017**

- (54) **LOUNGER**
- (71) Applicant: **J & R Household Co., Ltd.**, Shanghai (CN)
- (72) Inventor: **Lodovico Bernardi**, Vittorio Veneto (IT)
- (73) Assignee: **J & R HOUSEHOLD CO., LTD.**, Shanghai (CN)

6,086,152 A *	7/2000	Zeller	.....	A47C 1/143
				297/219.1
D512,230 S *	12/2005	Krake	.....	D6/361
D527,538 S *	9/2006	Hughett	.....	D6/361
D545,581 S *	7/2007	Gower	.....	D6/361
7,740,310 B1 *	6/2010	Forster	.....	A47C 1/143
				135/96
D646,067 S *	10/2011	Frinier	.....	D6/361
D704,463 S *	5/2014	Vanderminden	.....	D6/361
D707,049 S *	6/2014	Asner	.....	D6/361
D707,458 S *	6/2014	Doyle	.....	D6/361
D733,443 S *	7/2015	Griffin	.....	D6/361
9,390,571 B1 *	7/2016	Kupfer	.....	A47C 1/143

(\*\*) Term: **15 Years**

(21) Appl. No.: **29/589,062**

(22) Filed: **Dec. 27, 2016**

(51) **LOC (10) Cl.** ..... **06-01**

(52) **U.S. Cl.**  
USPC ..... **D6/361**

(58) **Field of Classification Search**  
CPC ..... A47C 1/14; A47C 1/143; A47C 4/028;  
A47C 4/06; A47C 4/28; A47C 4/30;  
A47C 4/32; A47C 4/42; A47C 7/282

See application file for complete search history.

(56) **References Cited**

**U.S. PATENT DOCUMENTS**

D211,338 S *	6/1968	Schultz	.....	D6/361
5,237,713 A *	8/1993	Prager	.....	A47C 1/143
				297/900
5,272,777 A *	12/1993	Favagrossa	.....	A47C 1/143
				297/22

\* cited by examiner

*Primary Examiner* — Mimosa De

(74) *Attorney, Agent, or Firm* — Michael F. Fedrick; Loza & Loza, LLP

(57) **CLAIM**

The ornamental design for a lounge, as shown and described.

**DESCRIPTION**

FIG. 1 is a perspective view of the present invention;  
FIG. 2 is a front elevation view thereof;  
FIG. 3 is a rear elevation view thereof;  
FIG. 4 is a left side view thereof;  
FIG. 5 is a right side view thereof;  
FIG. 6 is a top plan view thereof; and,  
FIG. 7 is a bottom plan view thereof.

**1 Claim, 7 Drawing Sheets**

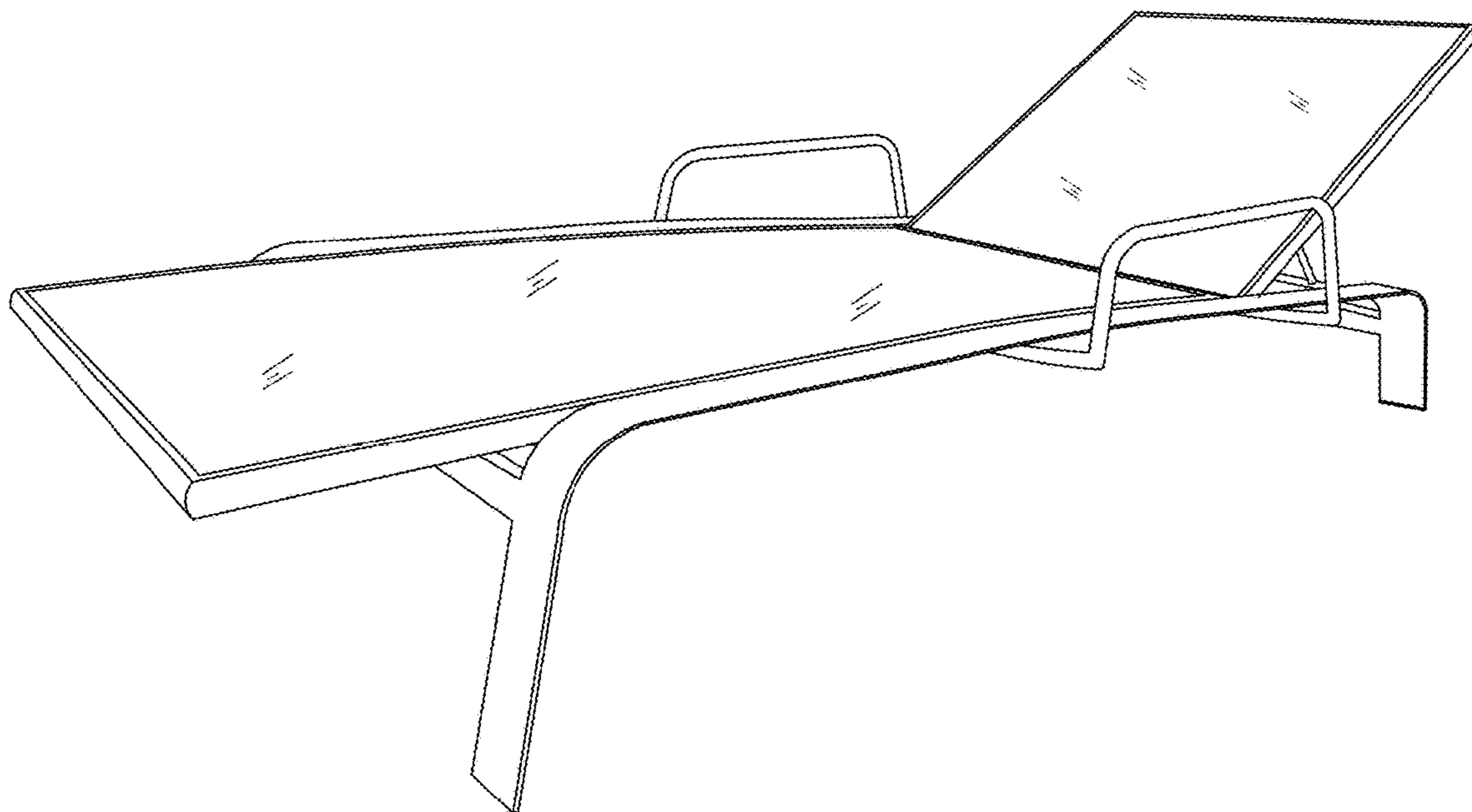


Figure 1

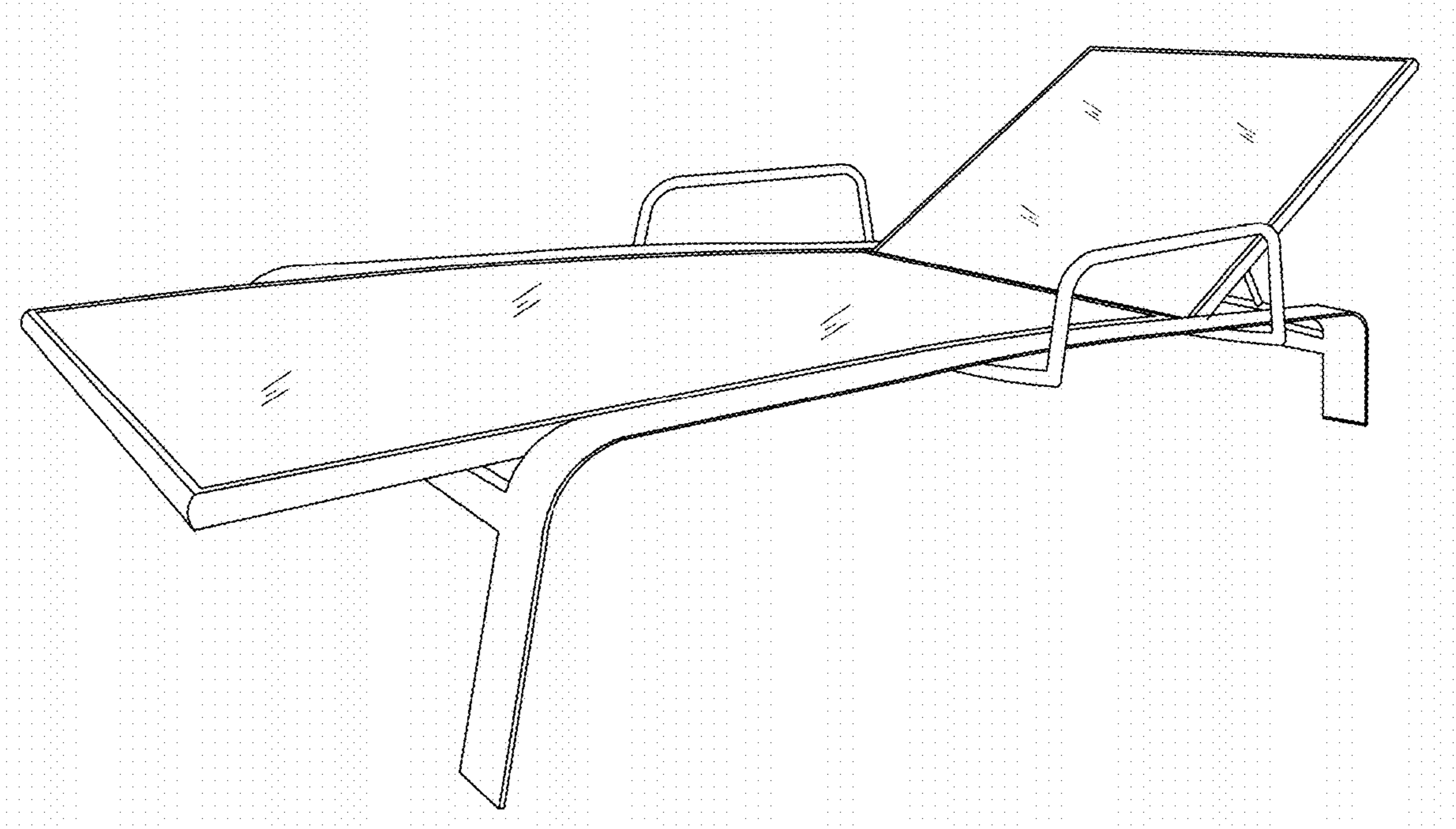


Figure 2

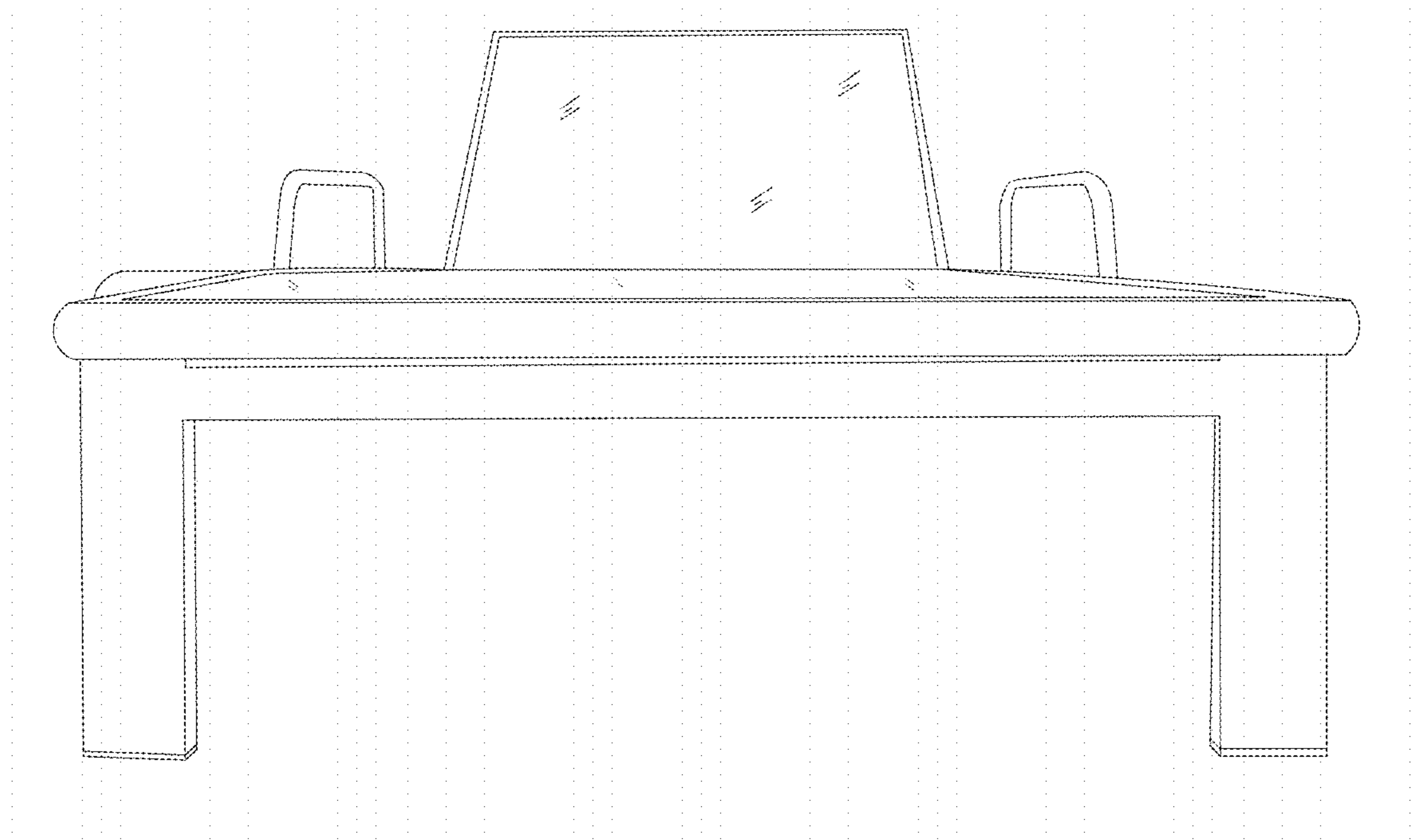


Figure 3

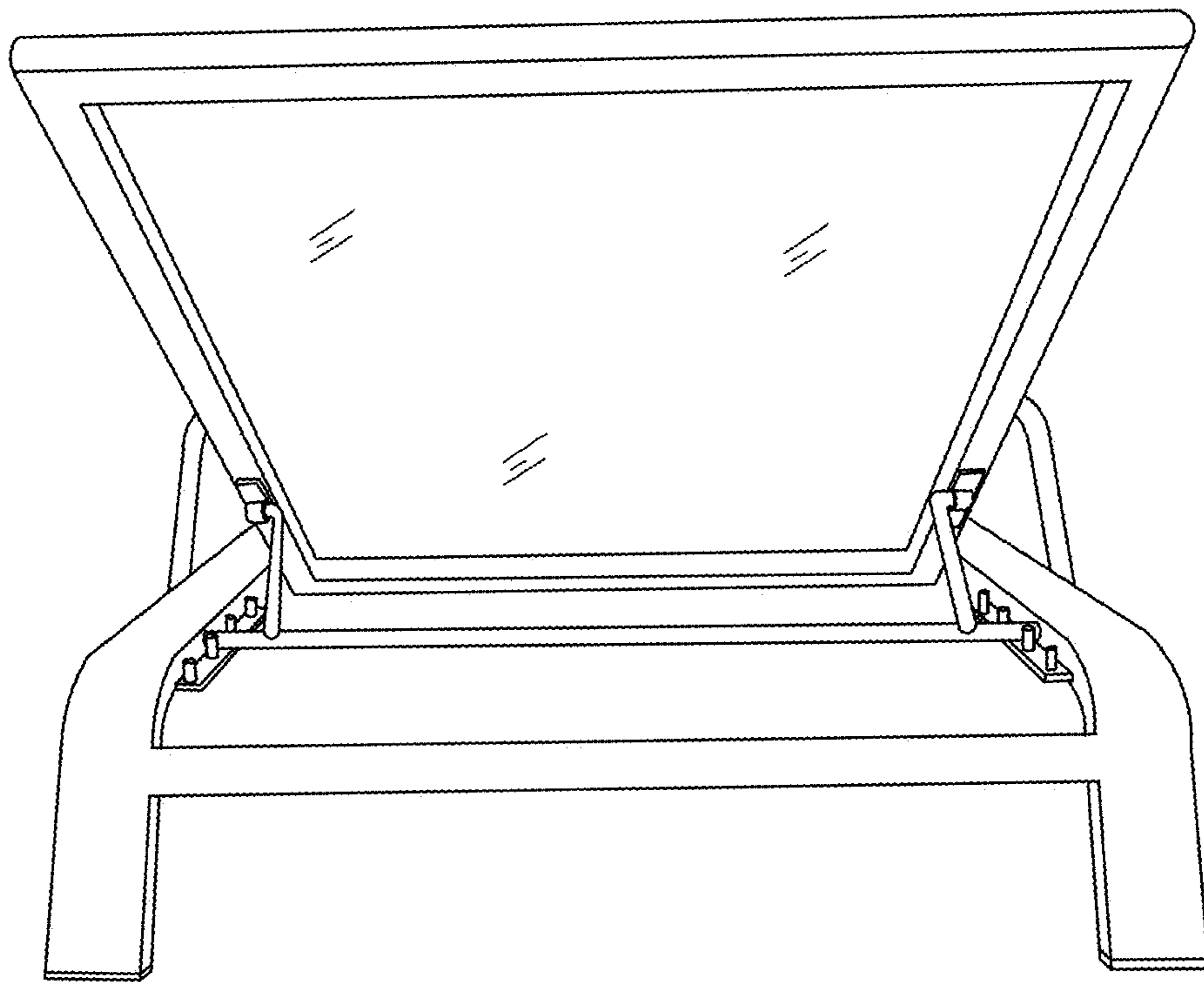


Figure 4

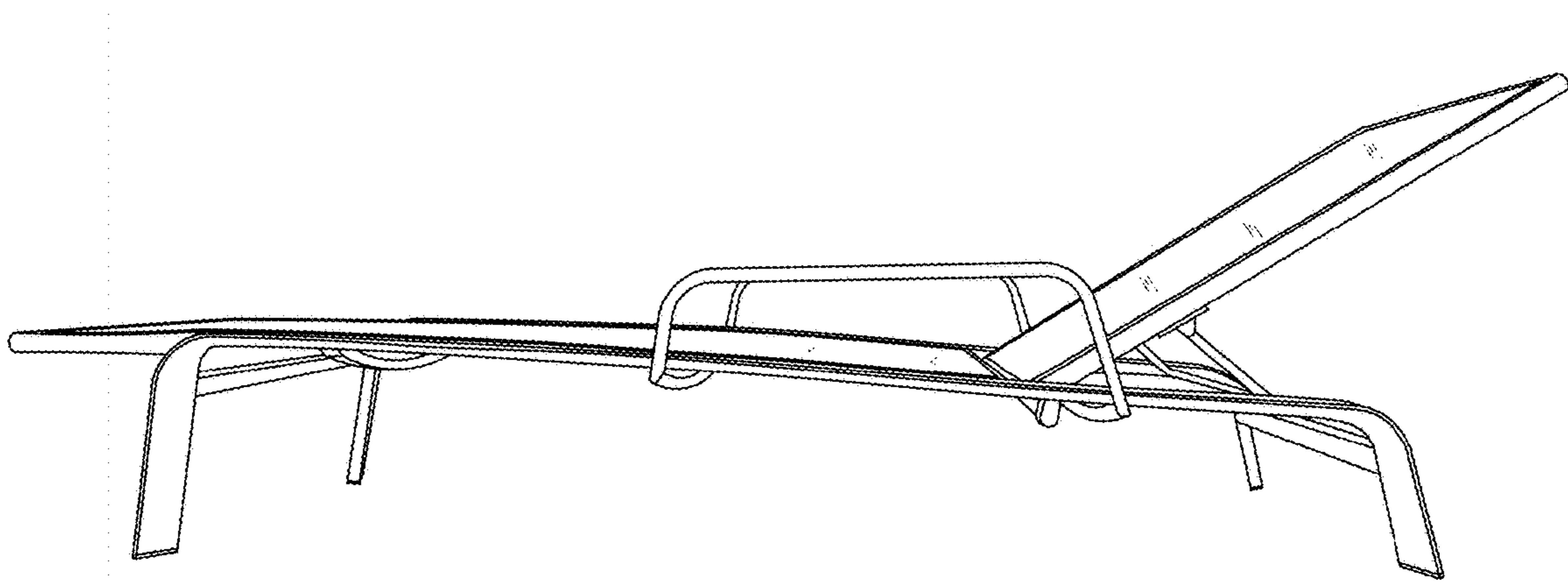


Figure 5

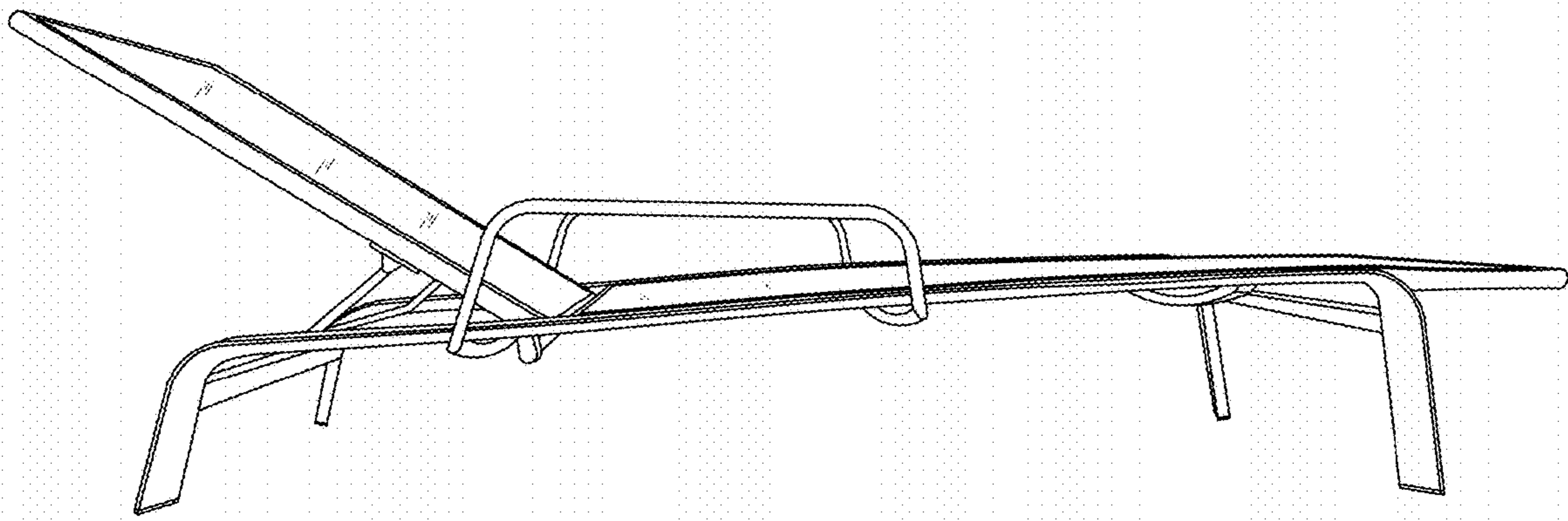


Figure 6

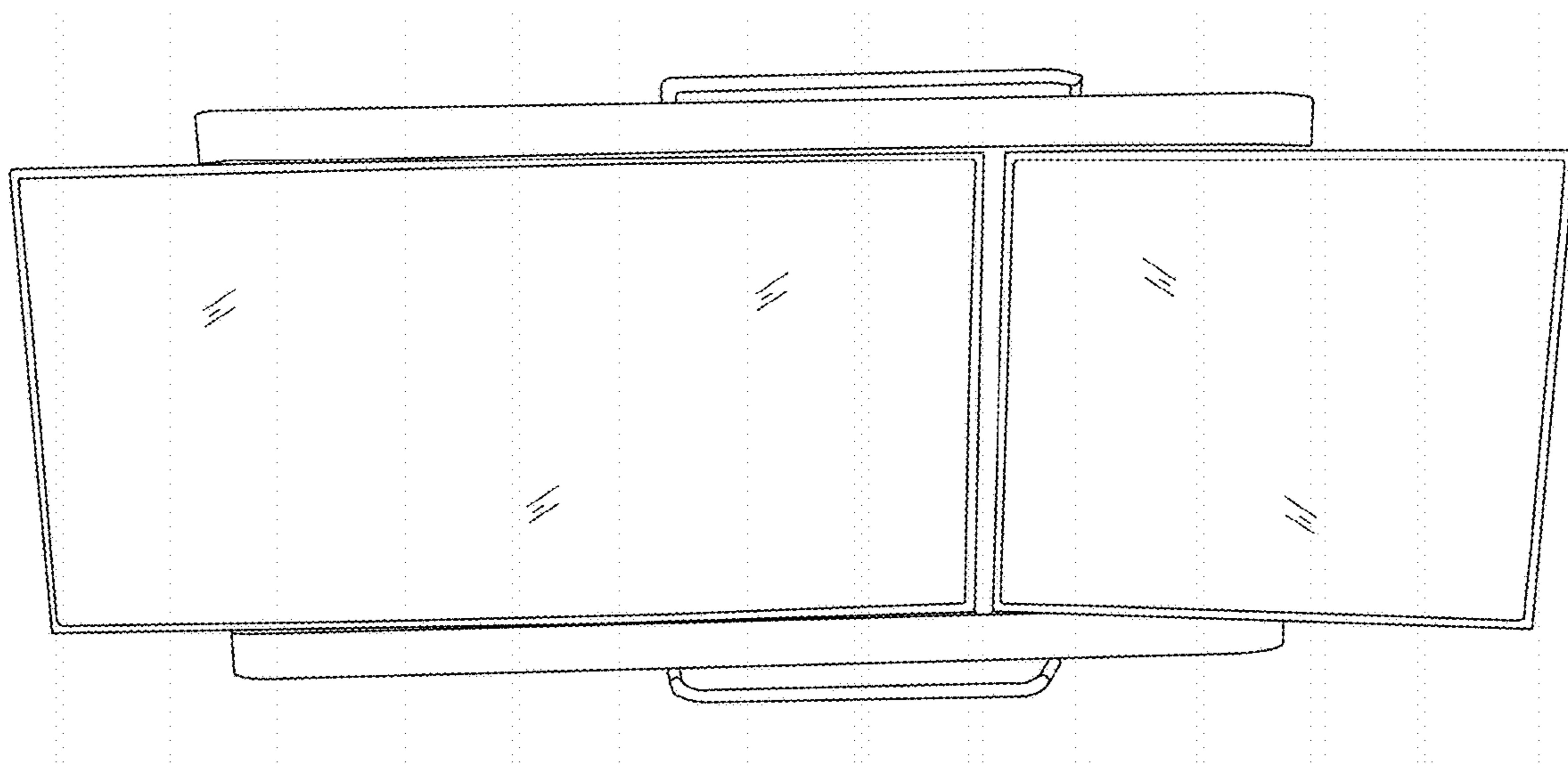


Figure 7

