



US00D802312S

(12) **United States Design Patent** (10) **Patent No.:** **US D802,312 S**
McKillip et al. (45) **Date of Patent:** **** Nov. 14, 2017**

(54) **STOOL**

(71) Applicants: **Angela McKillip**, Nunda, SD (US);
Abby Dyk, Geddes, SD (US); **Maria Swanson**,
Sioux Falls, SD (US); **Kay Cutler**, White, SD (US);
Chris Hume, Broomfield, CO (US)

(72) Inventors: **Angela McKillip**, Nunda, SD (US);
Abby Dyk, Geddes, SD (US); **Maria Swanson**,
Sioux Falls, SD (US); **Kay Cutler**, White, SD (US);
Chris Hume, Broomfield, CO (US)

(**) Term: **15 Years**

(21) Appl. No.: **29/562,193**

(22) Filed: **Apr. 22, 2016**

(51) **LOC (10) Cl.** **06-01**

(52) **U.S. Cl.**
USPC **D6/349**

(58) **Field of Classification Search**
USPC D6/349-353, 358-360, 363-368, 374,
D6/403-405, 601, 687, 691-691.9,
D6/692-692.6, 703.6, 703.7, 705
CPC A47C 9/00-9/105; A47C 7/00-7/02; A47C
16/00-16/04; A47B 7/00-7/02; A47B
3/00; A47B 3/02; A47B 3/04; A47B 3/12
See application file for complete search history.

(56) **References Cited**

U.S. PATENT DOCUMENTS

- D139,897 S * 1/1945 Smith 297/423.41
- D194,399 S * 1/1963 De Muth D25/63
- D242,423 S * 11/1976 Culligan D34/1
- 4,340,985 A * 7/1982 Potter A47C 9/027
- 312/902
- D273,919 S * 5/1984 Pasinski D25/65

- D297,790 S * 9/1988 Melvin D6/350
- D307,800 S * 5/1990 Hradisky D25/65
- D320,702 S * 10/1991 Dewing D6/349
- D332,647 S * 1/1993 Johnson D21/671
- D351,476 S * 10/1994 Grosfillex D25/63
- D351,739 S * 10/1994 Cannon D25/65
- D375,290 S * 11/1996 Hall D12/318
- D383,261 S * 9/1997 Karsten 119/705
- D507,662 S * 7/2005 St-Hilaire D25/63
- D564,253 S * 3/2008 Daubon D6/656.11
- D699,057 S * 2/2014 Price D6/675
- 2008/0257280 A1 * 10/2008 Jakubowski A01K 1/035
- 119/849
- 2011/0017547 A1 * 1/2011 Lee A47C 12/00
- 182/23

(Continued)

OTHER PUBLICATIONS

Interior design students design, build , [educational furniture for preschools. [online] Published Sep. 4, 2015. Retrieved Jun. 12, 2017 from URL: <<https://www.sdstate.edu/news/2015/09/interior-design-students-design-build-educational-furniture-preschools>>.*

(Continued)

Primary Examiner — Vy Koenig

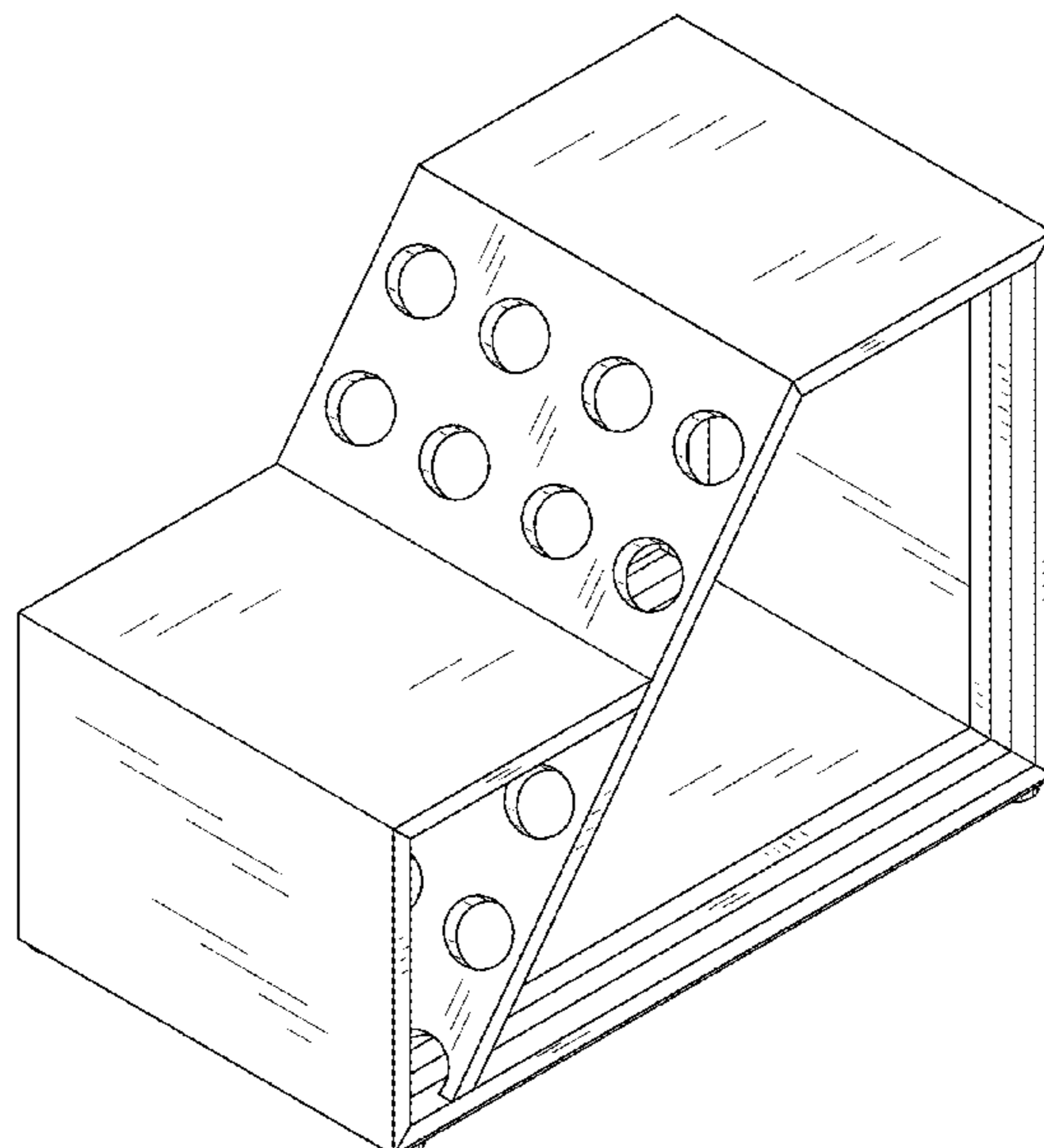
(57) **CLAIM**

The ornamental design for a stool, as shown and described.

DESCRIPTION

FIG. 1 is a front view of a stool showing my new design, a rear view being a mirror image thereof; FIG. 2 is a left side view of the stool; FIG. 3 is a right side view of the stool; FIG. 4 is a top view of the stool; FIG. 5 is a bottom view of the stool; FIG. 6 is a top front side perspective view of the stool; and, FIG. 7 is a bottom rear side perspective view of the stool.

1 Claim, 6 Drawing Sheets



(56)

References Cited

U.S. PATENT DOCUMENTS

2011/0101750 A1* 5/2011 Meister B64D 11/064
297/313
2011/0101751 A1* 5/2011 Meister B64D 11/06
297/319
2013/0080286 A1* 3/2013 Rotholz A47C 5/005
705/26.5

OTHER PUBLICATIONS

Interior design students create educational furniture. [online] Published Sep. 4, 2015. Retrieved Jun. 12, 2017 from URL: <http://www.sdsucollegian.com/news/article_7674496461fb11e5b830fb6c437121f6.html>.*
South Dakota State chosen to exhibit at ICFF 2016. [online] Published Apr. 6, 2016. Retrieved Jun. 12, 2017 from URL: <<https://www.sdstate.edu/news/2016/04/southdakotastatechosenexhibiticff2016>>.*

* cited by examiner

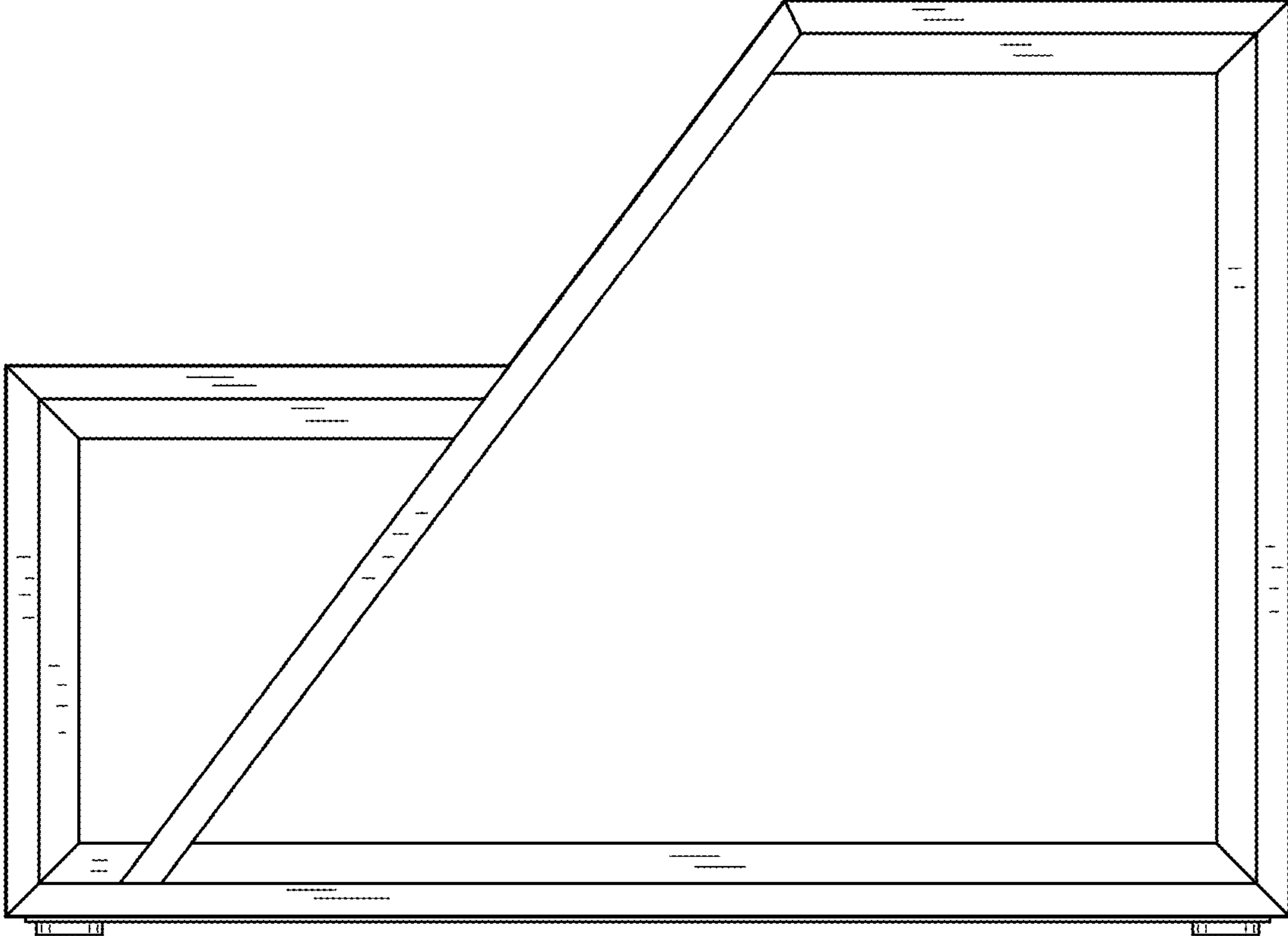


FIG. 1

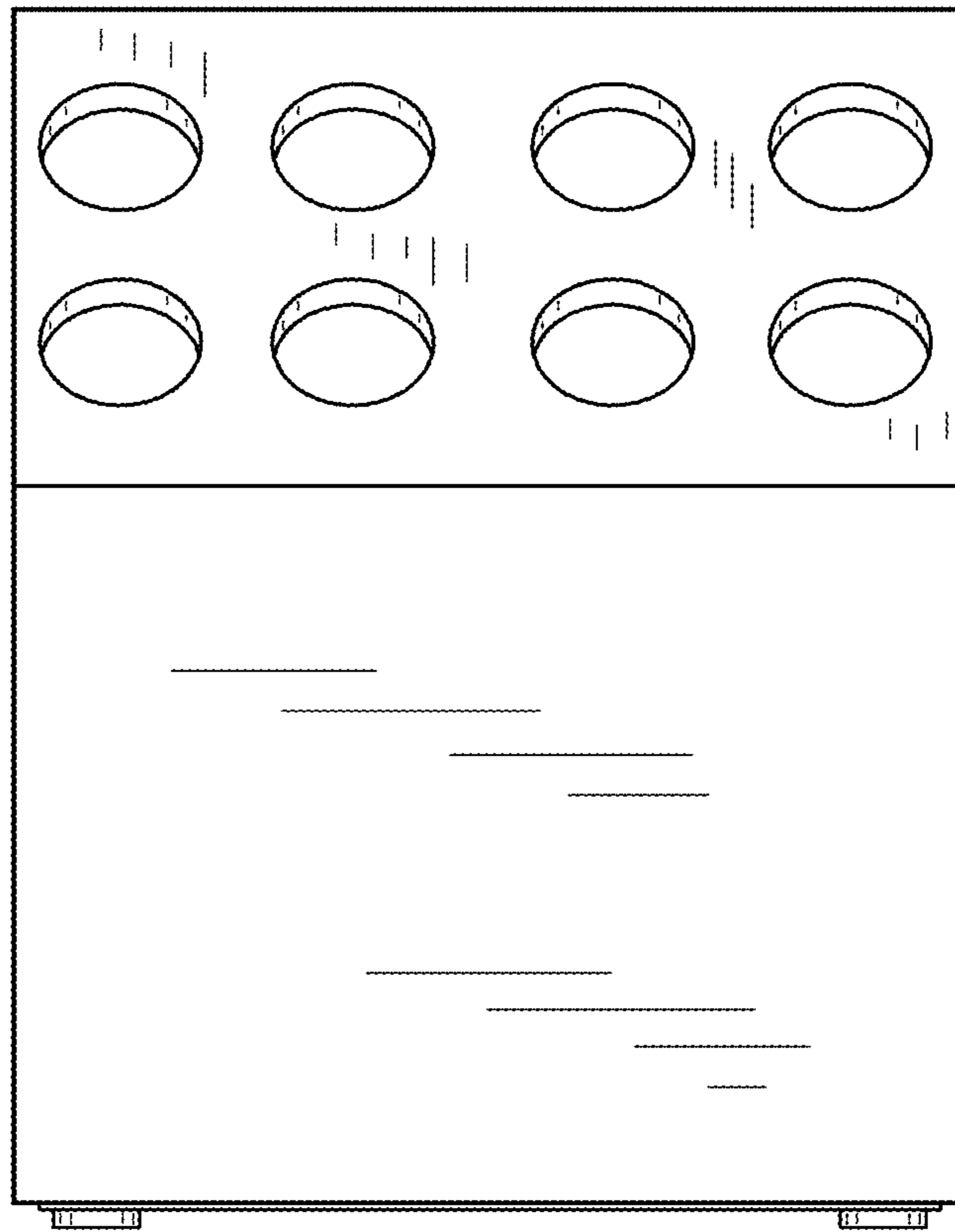


FIG. 2

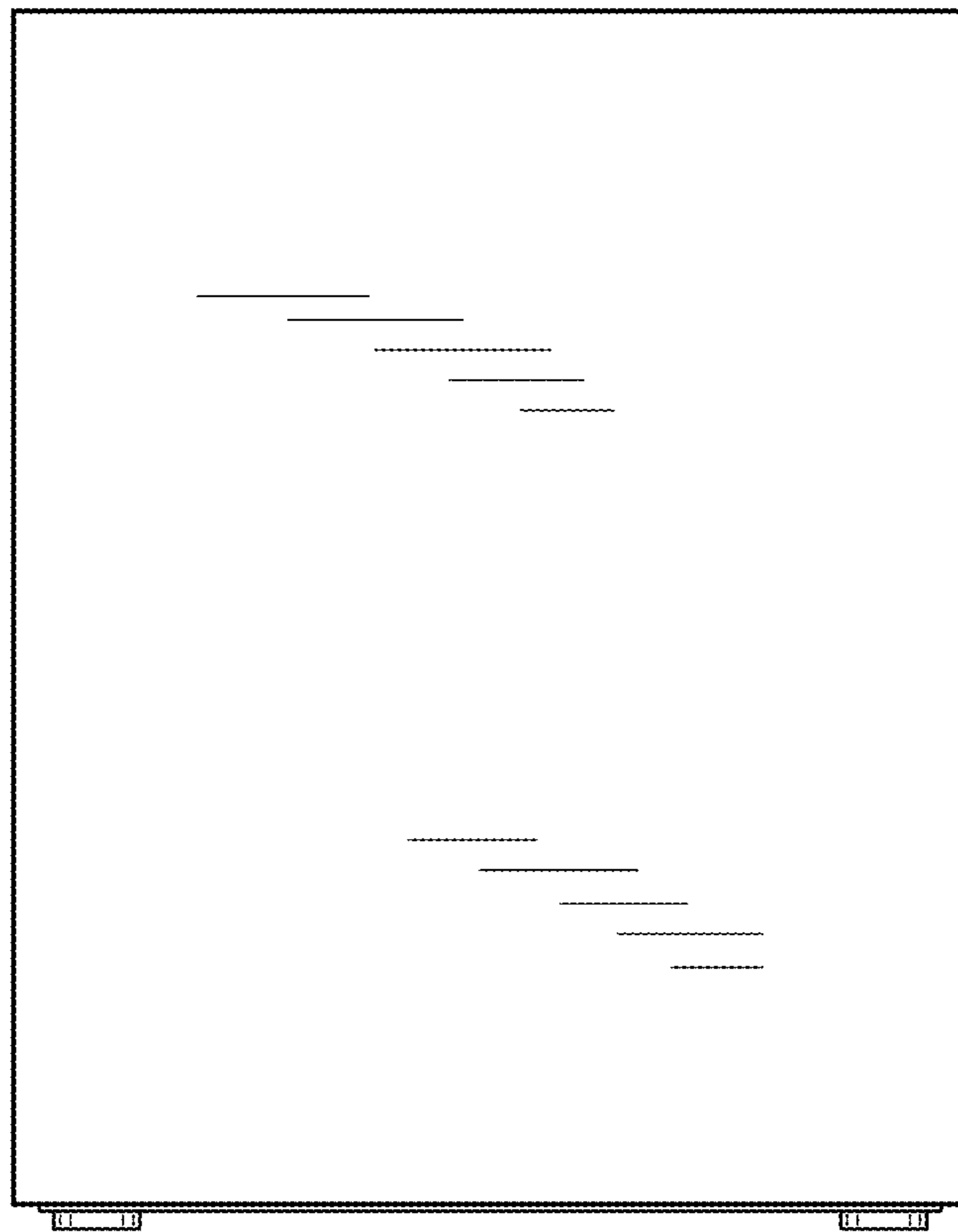


FIG. 3

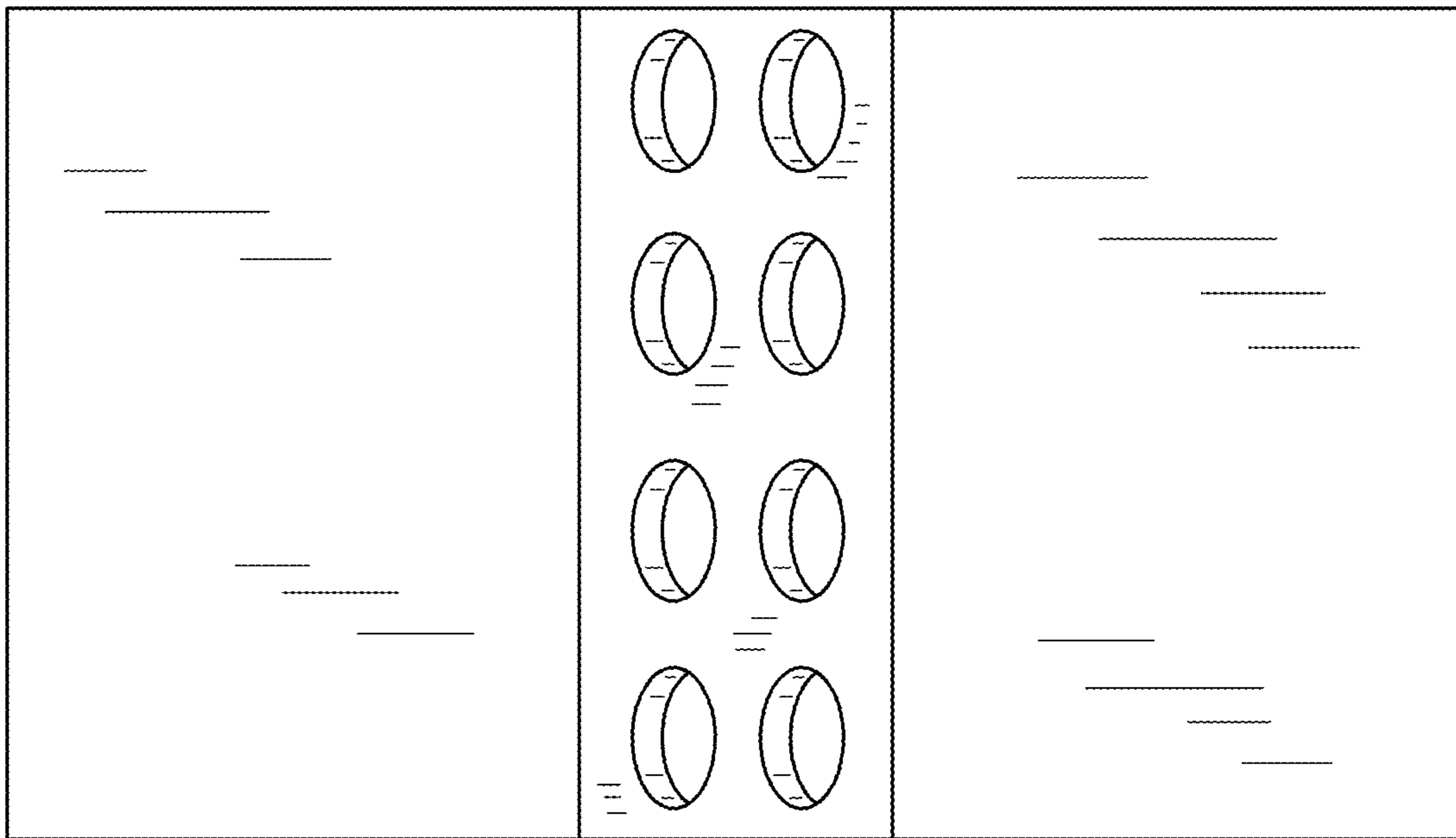


FIG. 4

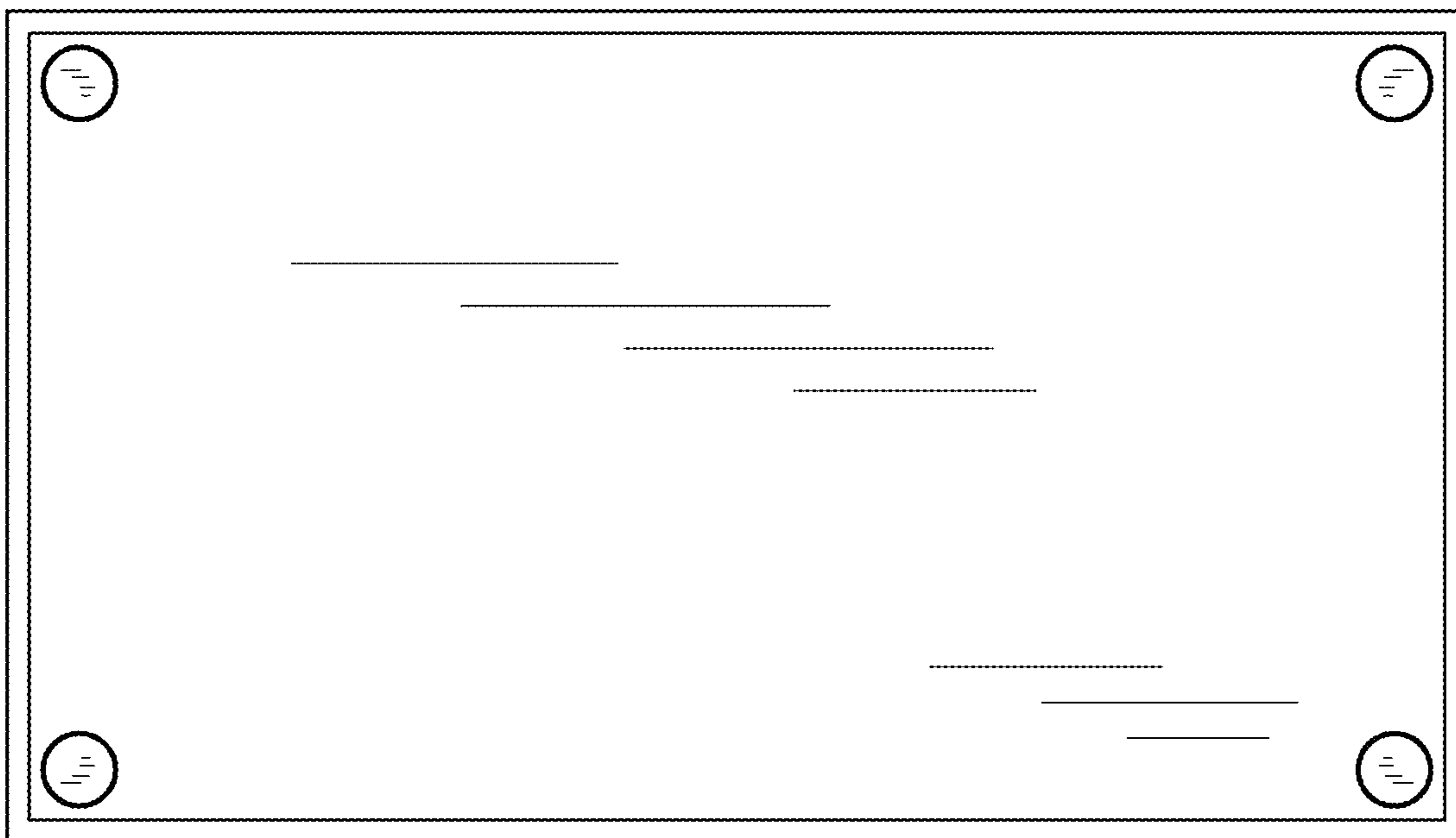


FIG. 5

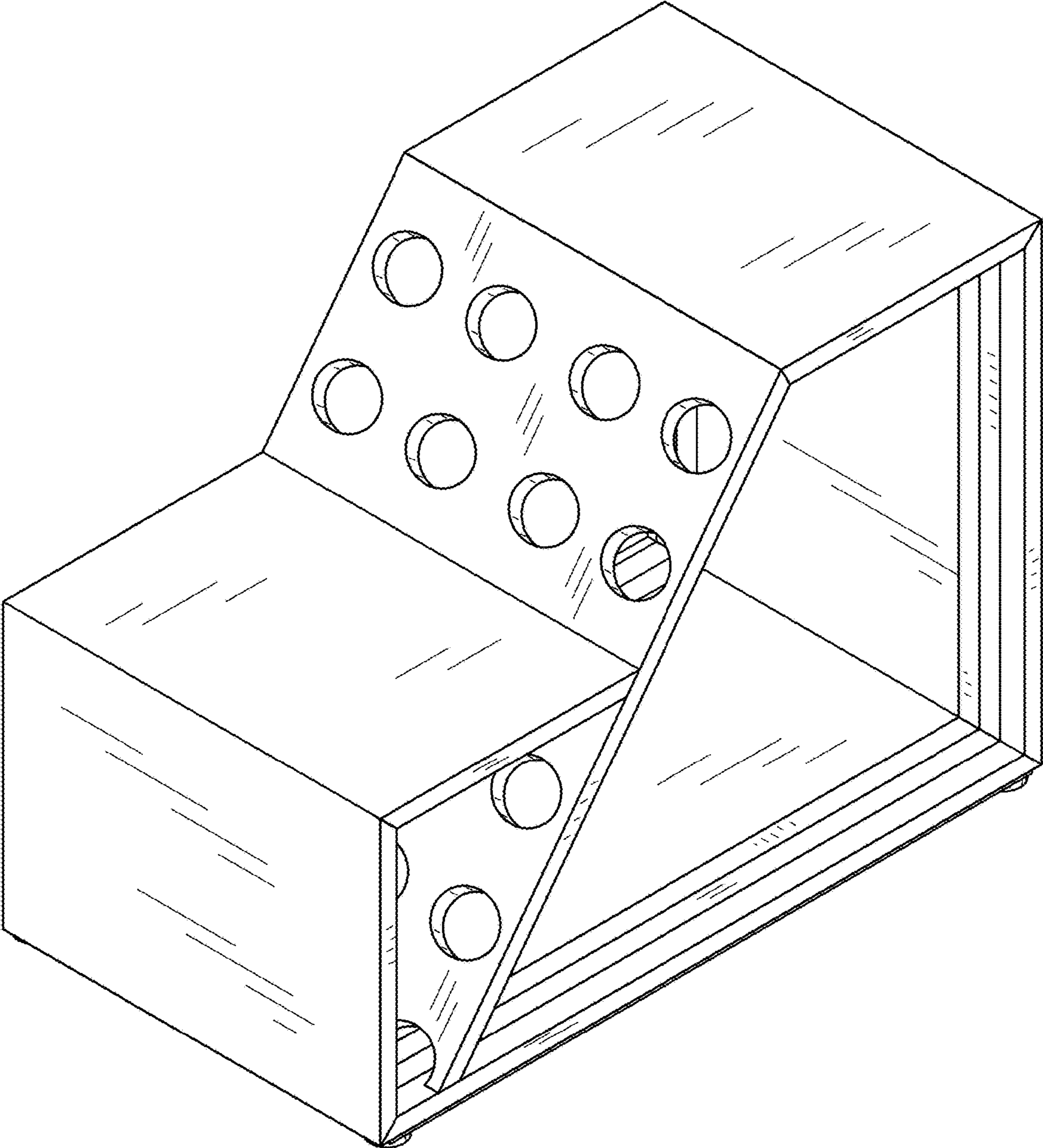


FIG. 6

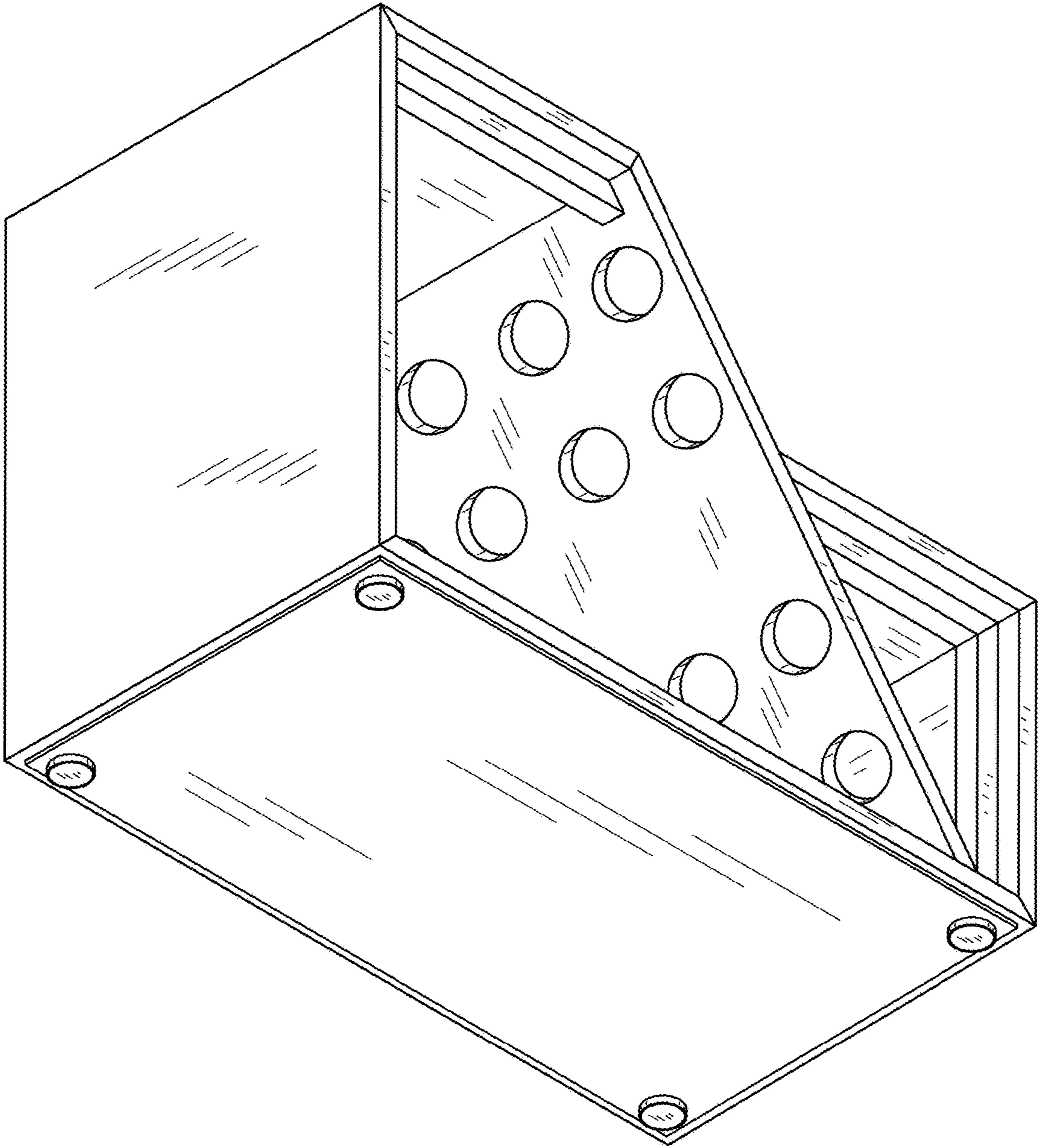


FIG. 7