



US00D802311S

(12) **United States Design Patent** (10) **Patent No.:** **US D802,311 S**
Stricklin et al. (45) **Date of Patent:** **** Nov. 14, 2017**

(54) **TOILET STOOL**
(71) Applicants: **Bruce William Stricklin**, Houston, TX (US); **Barbara Stricklin**, Houston, TX (US)
(72) Inventors: **Bruce William Stricklin**, Houston, TX (US); **Barbara Stricklin**, Houston, TX (US)
(**) Term: **15 Years**
(21) Appl. No.: **29/545,455**
(22) Filed: **Nov. 12, 2015**
(51) **LOC (10) Cl.** **06-01**
(52) **U.S. Cl.**
USPC **D6/349**
(58) **Field of Classification Search**
USPC D6/334, 349-355, 363, 360, 368, 374, D6/403, 405, 657, 675.4, 685, 688.17, D6/690, 691.9, 693-693.3, 695, 708, D6/708.15-708.25, 709.11; D25/62-65
CPC A47C 9/00-9/105; A47C 7/00-7/02; A47C 16/00-16/04; A47B 7/00-7/02; A47B 3/00; A47B 3/02; A47B 3/04; A47B 3/12
See application file for complete search history.

(56) **References Cited**

U.S. PATENT DOCUMENTS

2,023,901 A 12/1935 Rhodes
D122,479 S 9/1940 Burt
3,271,075 A * 9/1966 Good A47C 16/02
108/129
D206,379 S * 12/1966 Good D6/353
D221,072 S * 7/1971 Knut Arenhold D6/349
4,244,064 A 1/1981 Parr
D268,796 S 5/1983 Kola
D273,252 S * 4/1984 Markson D6/353
D297,789 S 9/1988 Stepien
5,028,024 A 7/1991 Welles

D396,357 S 7/1998 Perrin et al.
D398,678 S 9/1998 Terry et al.
5,809,583 A 9/1998 Pucciani
6,256,800 B1 7/2001 Isbit
D465,610 S 11/2002 Graham
D483,084 S 12/2003 Gvoich
D509,289 S 9/2005 Palazzolo
D524,562 S 7/2006 Franciosa
D538,557 S 3/2007 Martyn
D582,168 S 12/2008 Sandel
7,814,581 B1 10/2010 Willner
D629,222 S 12/2010 Kay
D629,627 S 12/2010 Mylet
D647,667 S * 10/2011 Siklosi D30/130
D652,222 S 1/2012 Edwards
D663,492 S * 7/2012 Haaf D30/160
D668,472 S * 10/2012 Wong D6/406.5
D677,478 S 3/2013 Edwards et al.

(Continued)

OTHER PUBLICATIONS

Fancy Wooden Toilet Stool: 5 Steps (with Pictures). [online] Retrieved 7/19/17 from URL: <<http://www.instructables.com/id/BourgeoiseToiletStool/1/>>.*

Primary Examiner — Vy Koenig

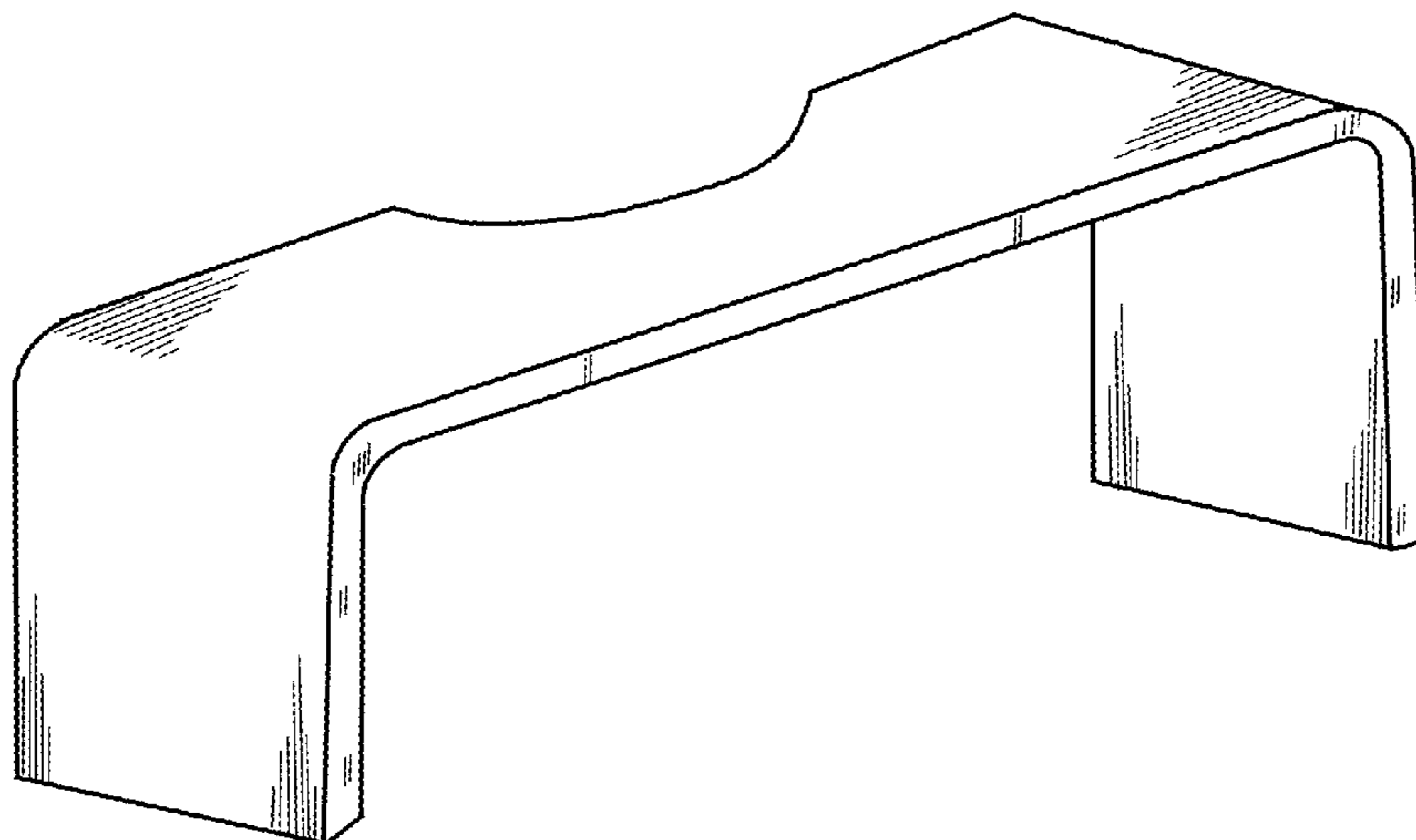
(57) **CLAIM**

We claim the ornamental design for a toilet stool, as shown and described.

DESCRIPTION

FIG. 1 is a perspective view of a toilet stool, showing our new design;
FIG. 2 is a rear elevational view thereof;
FIG. 3 is a top plan view thereof;
FIG. 4 is a bottom plan view thereof;
FIG. 5 is a front elevational view thereof; and,
FIG. 6 is a left-side elevational view thereof, the right-side elevational view being a mirror image thereof.

1 Claim, 4 Drawing Sheets



(56)

References Cited

U.S. PATENT DOCUMENTS

8,607,369	B1	12/2013	Al-Khattaf	
D698,163	S	1/2014	Edwards	
D705,554	S	5/2014	Edwards	
D727,644	S *	4/2015	Sorel	D6/349
D730,071	S *	5/2015	Sorel	D6/349
D738,126	S *	9/2015	Edwards	D6/349
D766,604	S *	9/2016	Edwards	A47K 17/02 D6/353
D785,956	S *	5/2017	Stricklin	D6/349
D787,845	S *	5/2017	Edwards	D6/353
2005/0148449	A1 *	7/2005	Weir	A63B 21/00047 482/142
2014/0123376	A1	5/2014	Edwards et al.	

* cited by examiner

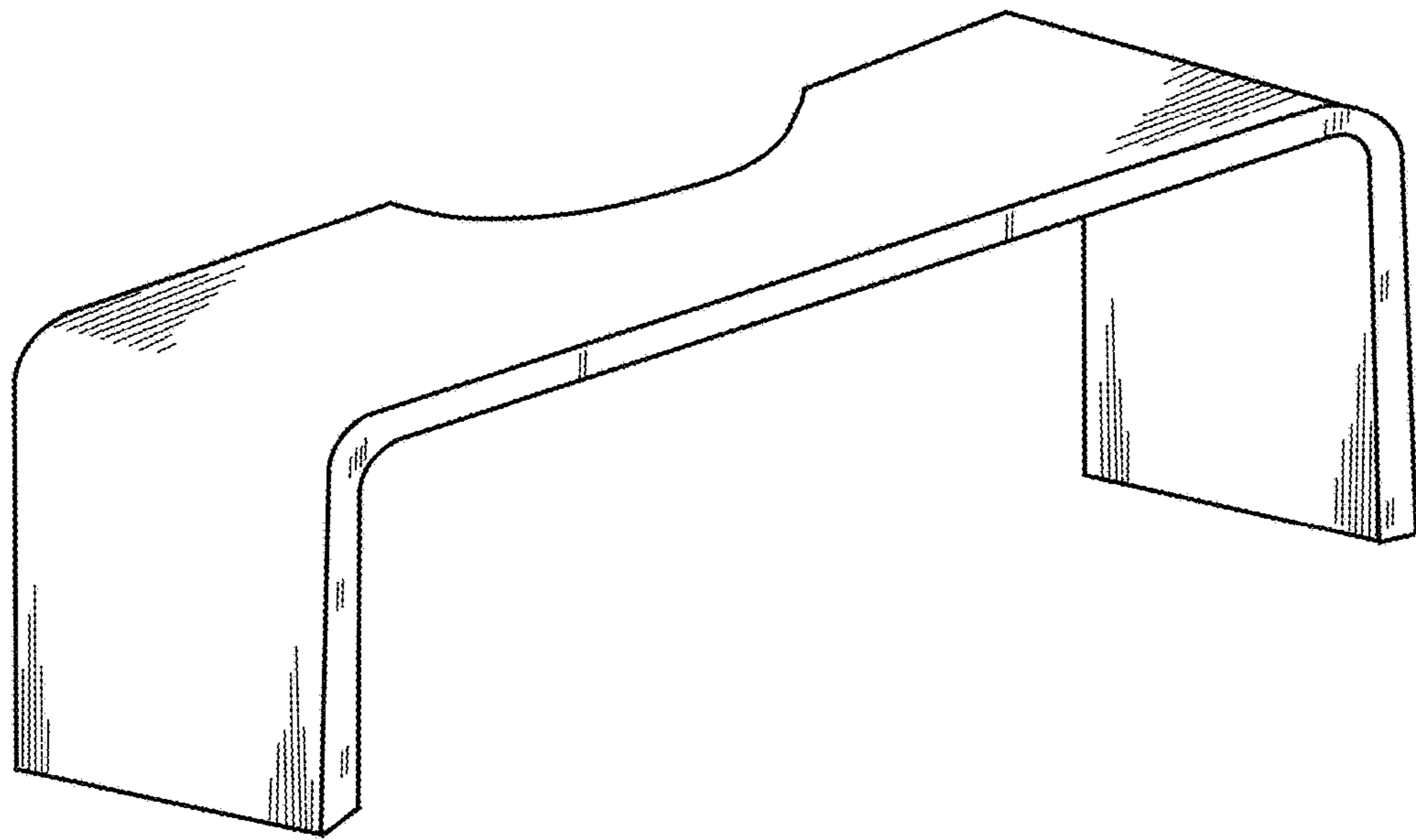


FIG. 1

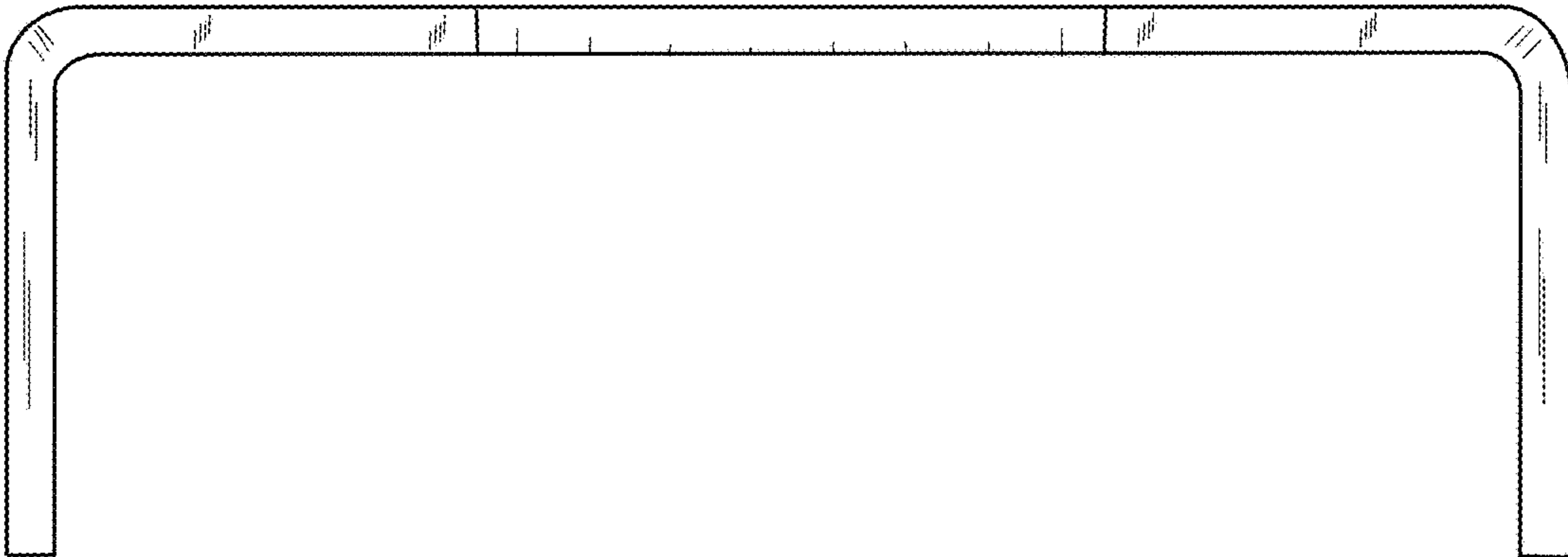


FIG. 2

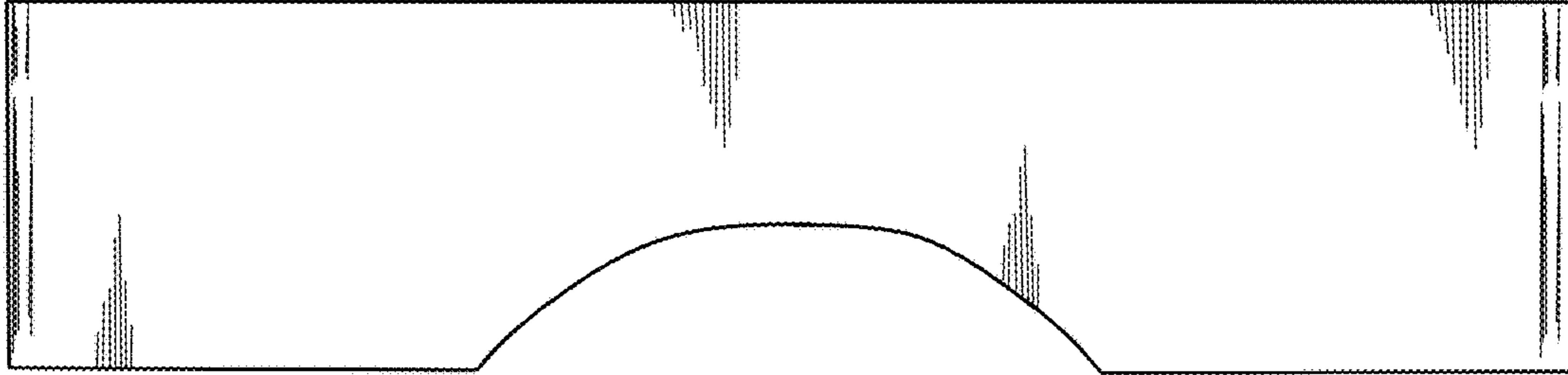


FIG. 3

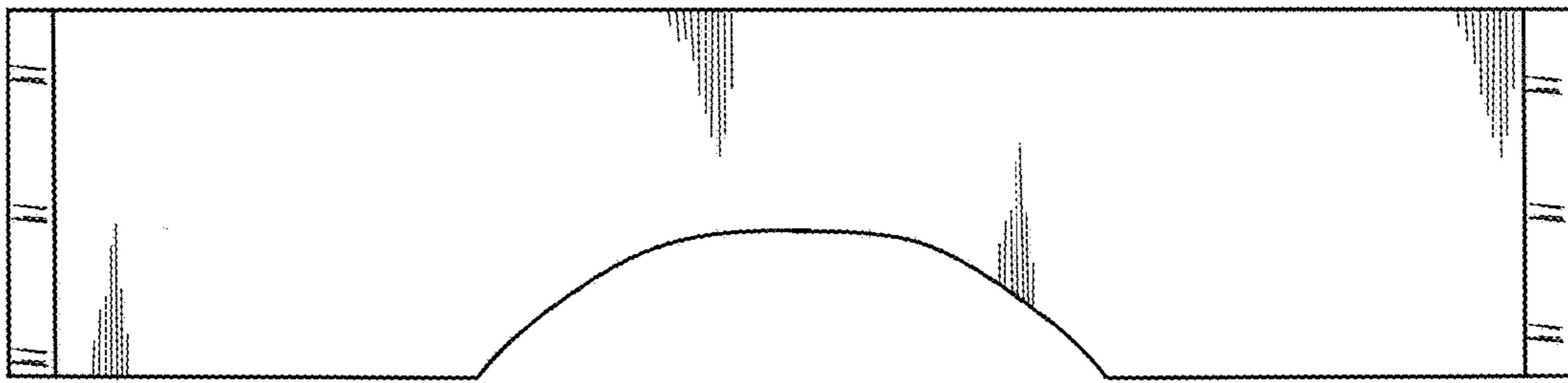


FIG. 4

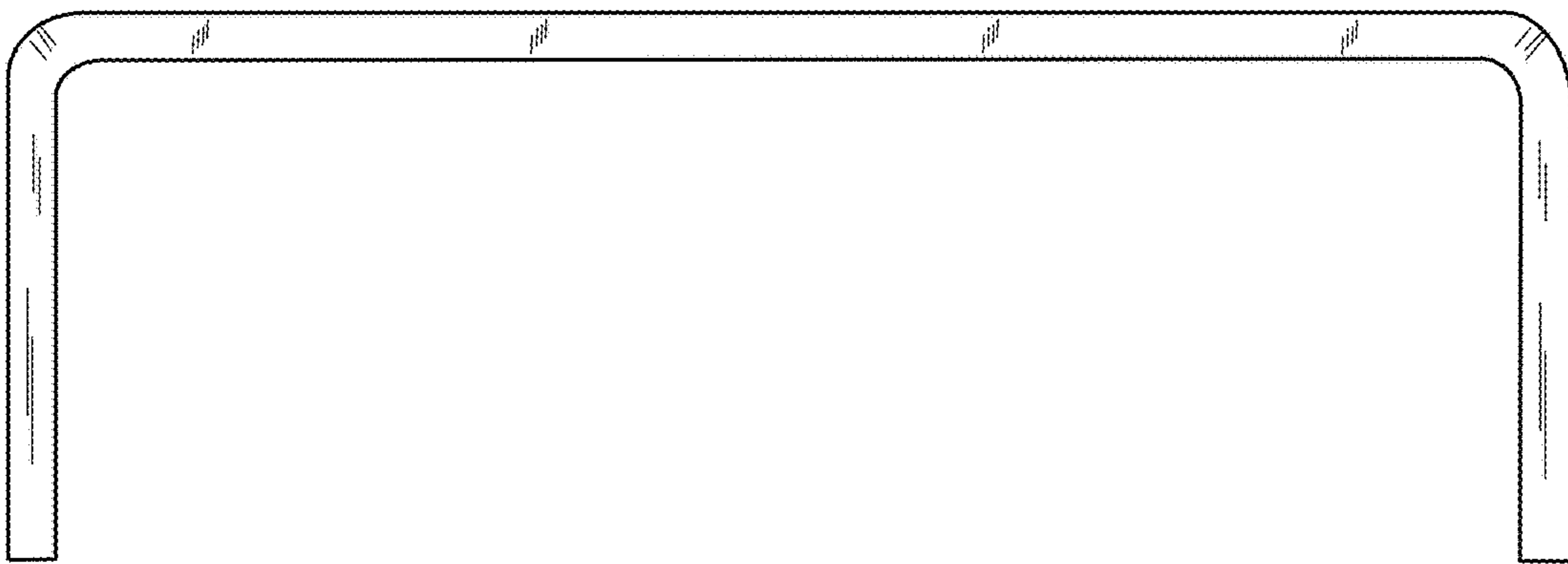


FIG. 5

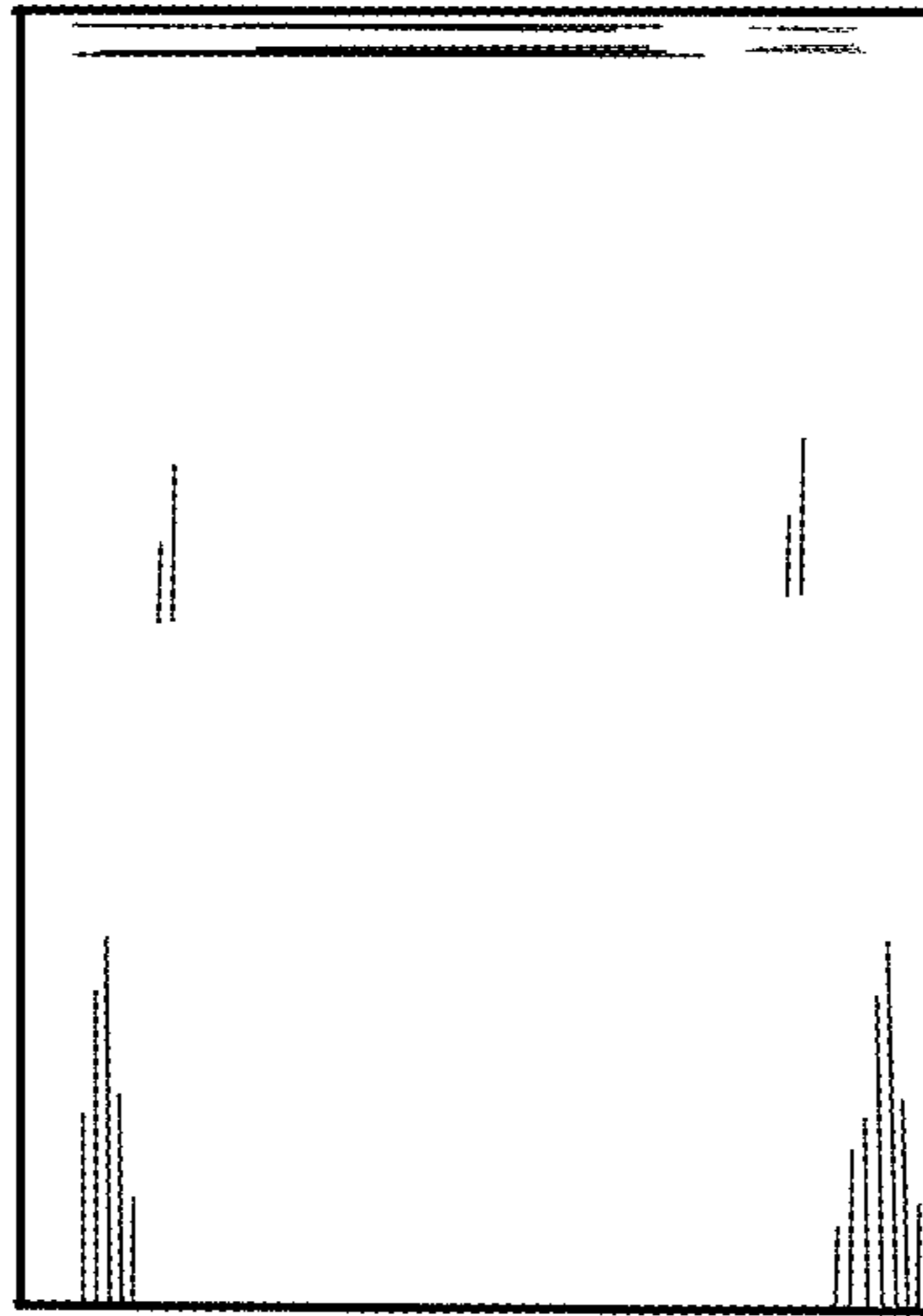


FIG. 6