

US00D802307S

(12) **United States Design Patent**
Peterson

(10) **Patent No.:** **US D802,307 S**

(45) **Date of Patent:** **** Nov. 14, 2017**

(54) **SCRUB BRUSH**

(71) Applicant: **Kelly Peterson**, South Pittsburg, TN
(US)

(72) Inventor: **Kelly Peterson**, South Pittsburg, TN
(US)

(73) Assignee: **Lodge Manufacturing Company**,
South Pittsburg, TN (US)

(**) Term: **15 Years**

(21) Appl. No.: **29/573,966**

(22) Filed: **Aug. 11, 2016**

(51) **LOC (10) Cl.** **04-02**

(52) **U.S. Cl.**

USPC **D4/127**

(58) **Field of Classification Search**

USPC D4/102, 114, 121, 127, 130, 132, 133,
D4/135, 137, 138; D18/15, 18; D28/7,
D28/63; D32/14, 14.1, 19, 40, 45, 52;
15/106, 110, 143.1, 159.1, 187; 16/430

CPC A45D 40/262; A45D 40/28; A46B 1/00;
A46B 5/00; A46B 5/0029; A46B 5/0033;
A46B 5/0062; A46B 5/02; A46B 5/021;
A46B 9/02; A46B 15/00; A46B
2200/1033; A46B 2200/306; A46B
2200/20; A46B 2200/202; A46B
2200/205; A47L 13/022; A63B 57/60;
B41K 1/00; B41K 1/006; B41K 1/02;
B41K 1/40; B41K 1/42; B41K 1/52;
B41K 1/56

See application file for complete search history.

(56) **References Cited**

U.S. PATENT DOCUMENTS

527,208 A * 10/1894 Leavenworth B41K 1/40
101/334
D33,992 S * 1/1901 Albright D4/127

1,236,304 A * 8/1917 Howell B41K 1/02
101/35
D51,319 S * 10/1917 Montgomery D4/127
1,358,597 A * 11/1920 Tobias A46B 15/00
15/110
1,502,538 A * 7/1924 Anderson A46B 11/0013
401/170
1,593,133 A * 7/1926 Nichols A45D 27/04
401/123
1,685,526 A * 9/1928 Earon A46B 15/00
15/193
1,694,365 A * 12/1928 Albright A46B 15/00
15/193

(Continued)

FOREIGN PATENT DOCUMENTS

CN 201630161470 * 8/2016

OTHER PUBLICATIONS

OXO Palm Brush, [on-line video]; [published to the Internet on Jul. 7, 2014 by OXO]; [retrieved from the Internet on Sep. 8, 2017]; URL: <https://www.youtube.com/watch?v=rOyBuyfz1Vo>. (2 pgs). (Year: 2014).*

(Continued)

Primary Examiner — Karen E Eldridge Powers

Assistant Examiner — Jasmine Mlinarcik

(74) *Attorney, Agent, or Firm* — Miller & Martin PLLC;
Stephen J. Stark

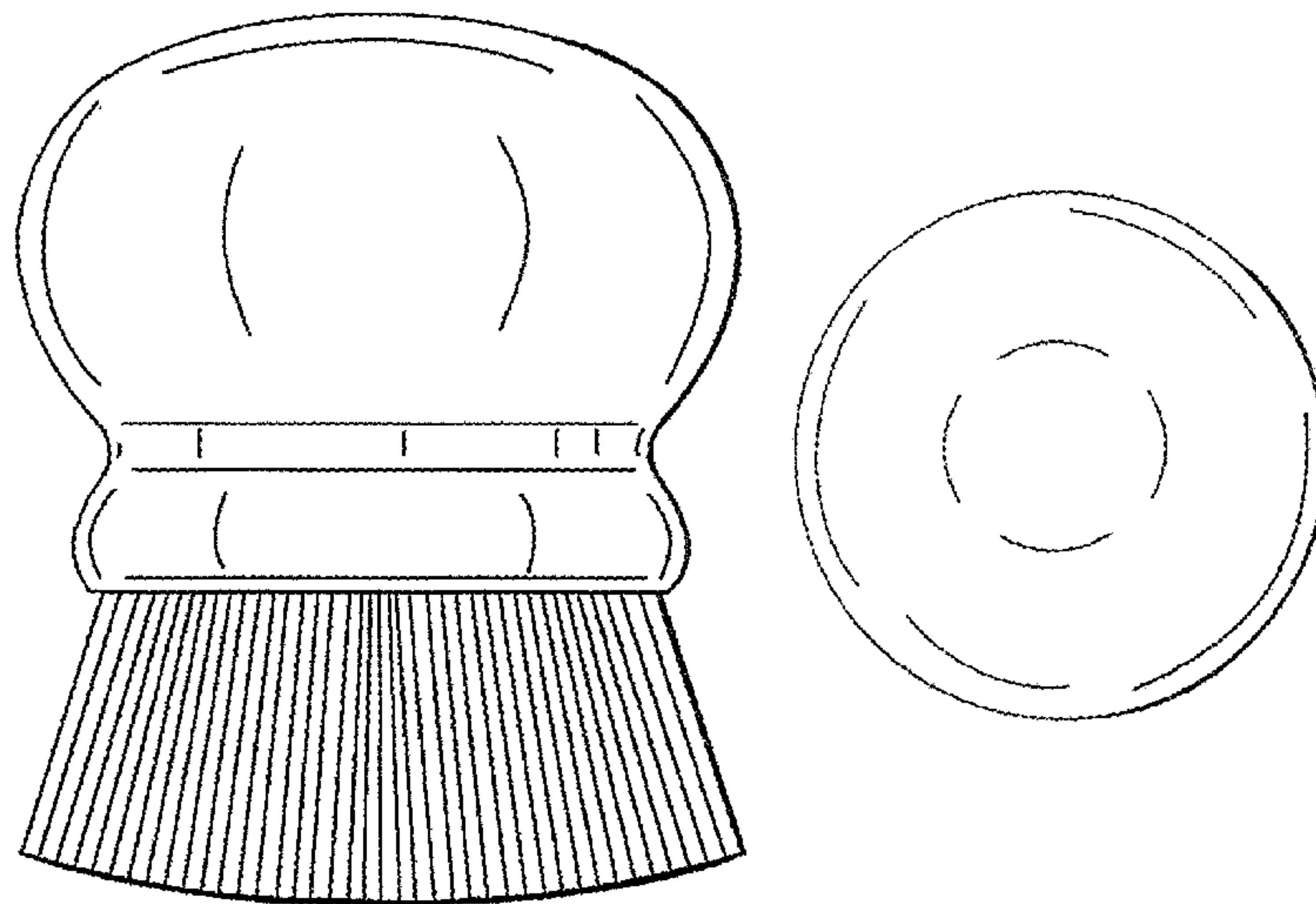
(57) **CLAIM**

The ornamental design for a scrub brush, as shown and described.

DESCRIPTION

FIG. 1 is a perspective view of the scrub brush;
FIG. 2 is a front elevation view thereof, the left, right, and rear elevation views being identical thereto;
FIG. 3 is a top plan view thereof; and,
FIG. 4 is a bottom plan view thereof.

1 Claim, 2 Drawing Sheets



(56)

References Cited

U.S. PATENT DOCUMENTS

1,716,211 A * 6/1929 Cuevas A46B 15/00
15/194
1,838,958 A * 12/1931 Page A46B 9/02
15/106
1,956,927 A * 5/1934 Pietro A46B 15/00
401/172
D106,188 S * 9/1937 Forster D18/15
2,484,986 A * 10/1949 Ellinger A47L 13/022
15/229.13
2,536,942 A * 1/1951 Kanter A63B 57/60
15/111
D232,150 S * 7/1974 McKinney D32/52
D233,879 S * 12/1974 Howard D28/7
D307,216 S * 4/1990 Yuen D32/14.1
D332,734 S * 1/1993 Fushiya D32/19
D362,965 S * 10/1995 Tastanis D4/127
D442,369 S * 5/2001 Damiano D4/127
6,233,771 B1 * 5/2001 Hortel A46B 5/02
15/143.1

D505,749 S * 5/2005 Angeletta D28/7
D520,244 S * 5/2006 Huller D4/124
D521,738 S * 5/2006 Huller D4/124
2011/0027004 A1* 2/2011 Ko A46B 11/0041
401/268

OTHER PUBLICATIONS

Full Circle Bubble Up Bamboo Dish Brush White, [on-line];
[comment posted to the Internet on Sep. 15, 2014]; [retrieved from
the Internet on Sep. 8, 2017]; URL: https://www.amazon.com/Full-Circle-Bubble-Bamboo-Brush/dp/B016RYYBFW/ref=sr_1_1?ie=UTF8&qid=1504884148&sr=8-1&keywords=hand+dish+brush. (4 pgs). (Year: 2014).*
Original Design by Chalk Mountain Brushes . . . [on-line]; [review
posted to the Internet on Aug. 8, 2016]; [retrieved from the Internet
on Jul. 19, 2017]; URL: see p. 1 of provided copy. (3 pgs). (Year:
2016).*

* cited by examiner

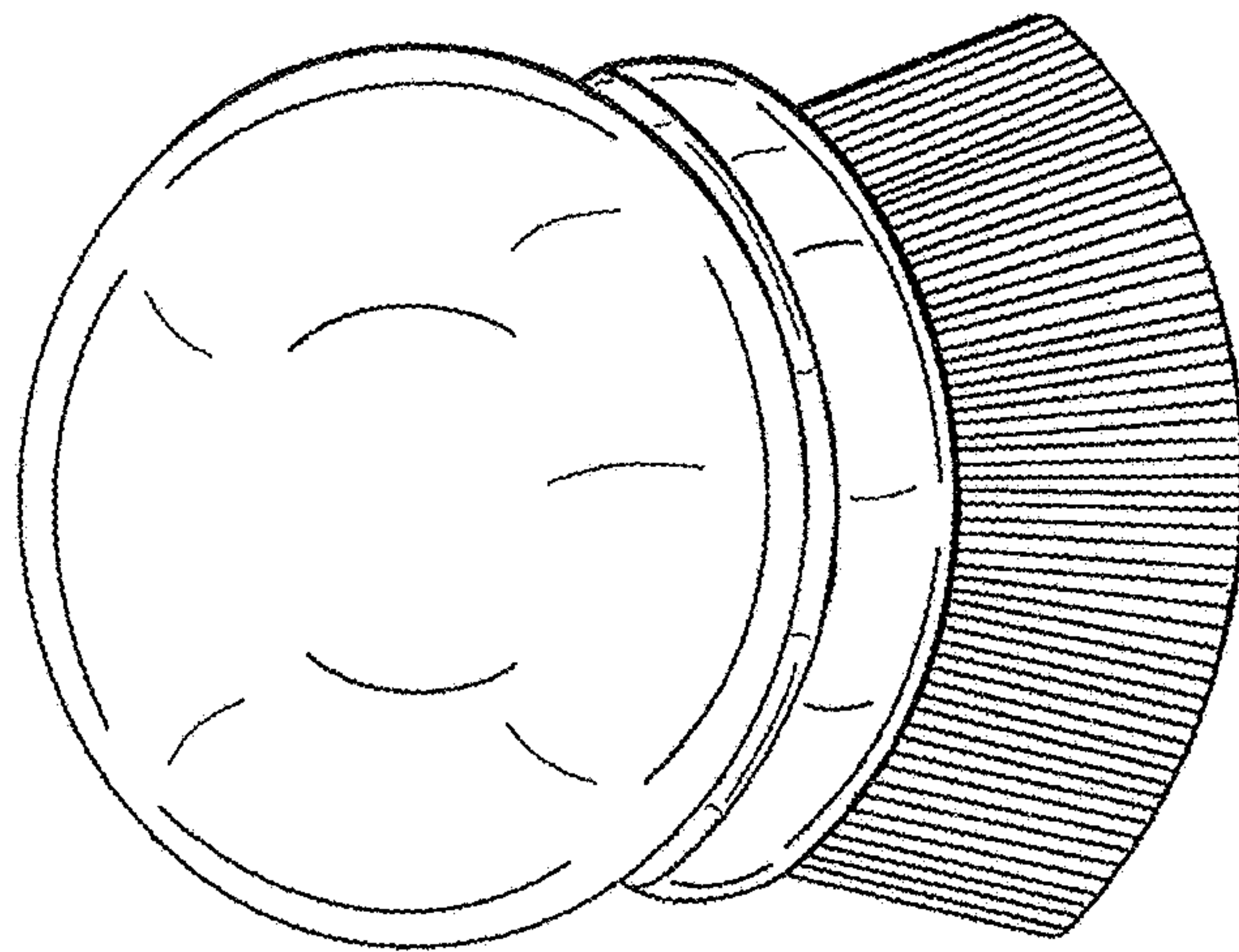


FIG.1

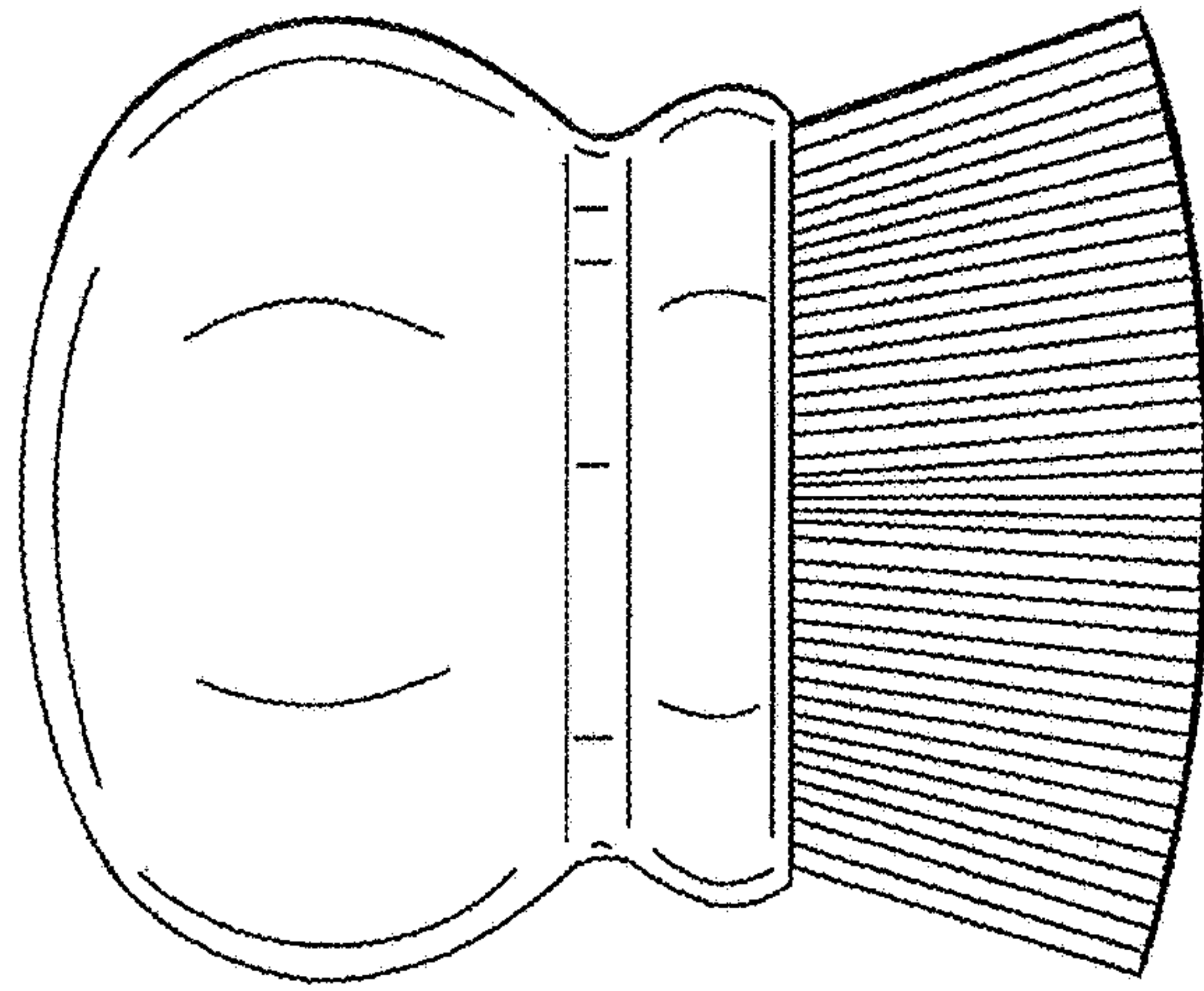


FIG.2

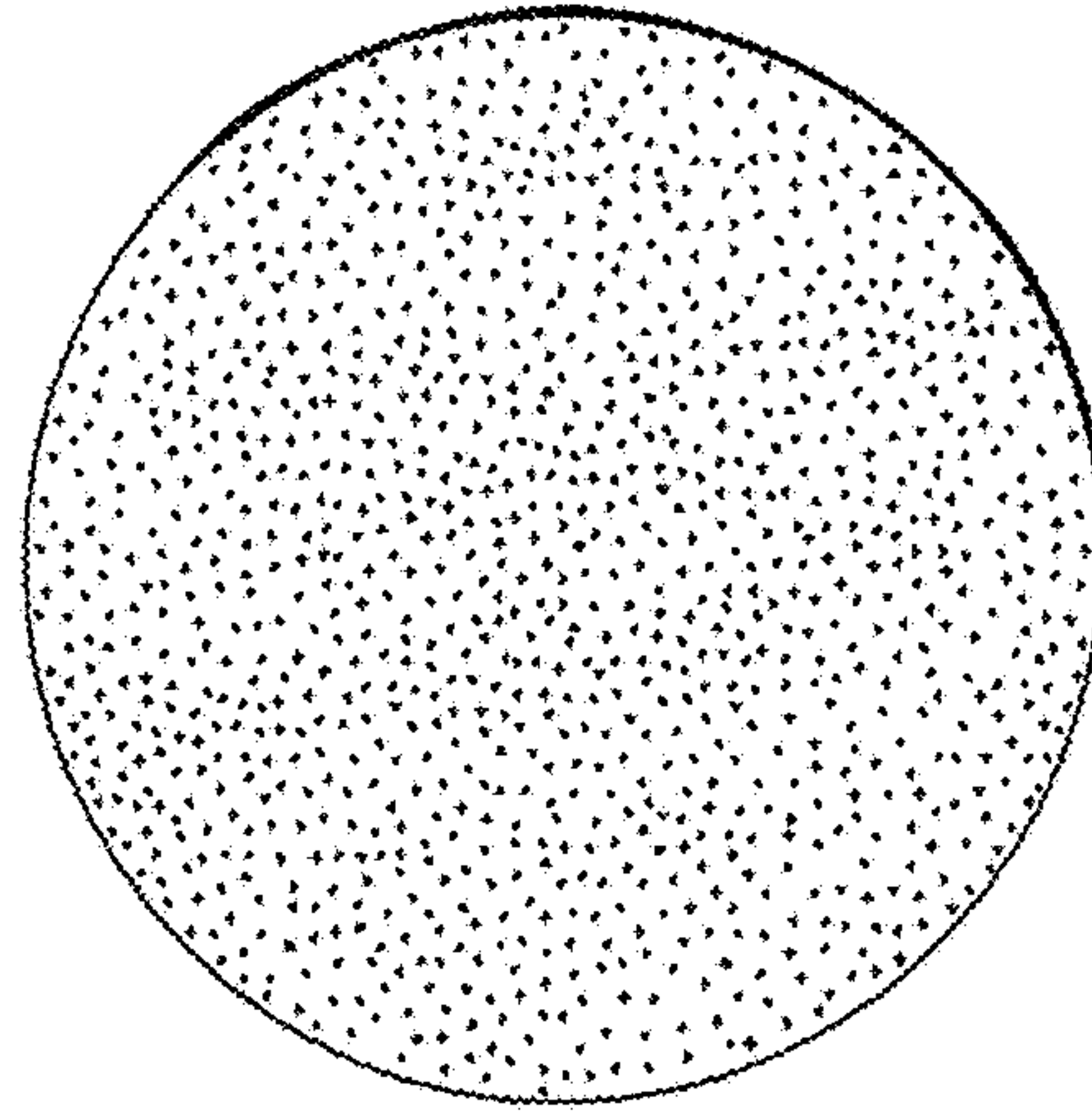


FIG. 4

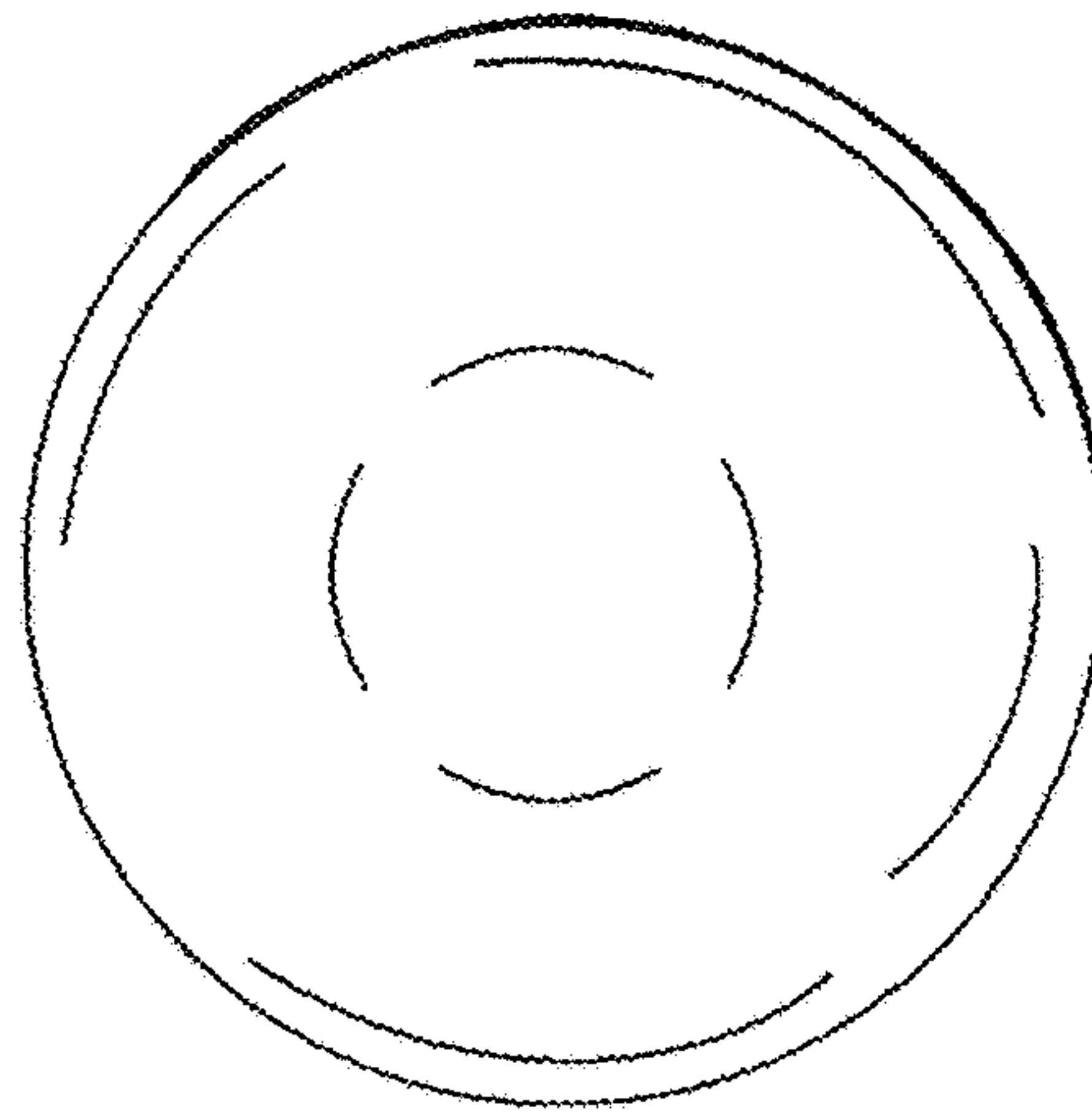


FIG. 3