



US00D802306S

(12) **United States Design Patent**  
**Woolman et al.**

(10) **Patent No.:** **US D802,306 S**

(45) **Date of Patent:** **\*\* Nov. 14, 2017**

(54) **LINT ROLLER DEVICE**

(71) Applicants: **Stuart Woolman**, Charlotte, NC (US);  
**Daniel Woolman**, London (GB)

(72) Inventors: **Stuart Woolman**, Charlotte, NC (US);  
**Daniel Woolman**, London (GB)

(73) Assignee: **TPL IP Holdings Limited** (GB)

(\*\*) Term: **15 Years**

(21) Appl. No.: **29/574,898**

(22) Filed: **Aug. 19, 2016**

(30) **Foreign Application Priority Data**

Jul. 18, 2016 (EM) ..... 003309731

(51) **LOC (10) Cl.** ..... **04-01**

(52) **U.S. Cl.**  
USPC ..... **D4/122; D4/138**

(58) **Field of Classification Search**  
USPC ..... D4/122, 131-138; D7/393, 392, 401.2;  
D8/10, 11, 45, 80, 83, 98, 107, 303;  
15/104.001, 104.002, 143.1, 159.1, 160,  
15/230, 230.11; 16/430; 492/13, 16, 17,  
492/19  
CPC ..... A46B 5/02; A46B 5/021; A46B 5/023;  
A46B 5/025; A46B 5/026; A46B 7/06;  
A46B 7/10; A47J 45/00; A47J 45/06;  
A47J 45/061; A47J 45/07; A47J 45/071;  
B25G

(Continued)

(56) **References Cited**

**U.S. PATENT DOCUMENTS**

D531,814 S \* 11/2006 Treacy ..... D4/122  
D531,815 S \* 11/2006 Treacy ..... D4/122

(Continued)

*Primary Examiner* — Austin Murphy

(74) *Attorney, Agent, or Firm* — Tarolli, Sundheim,  
Covell & Tummino LLP

(57) **CLAIM**

We claim the ornamental design for a lint roller device, as shown and described.

**DESCRIPTION**

FIG. 1 is a top perspective view of one embodiment of a lint roller device comprising a new, original and ornamental design, in a first example configuration;

FIG. 2 is a bottom perspective view of the lint roller device shown in FIG. 1;

FIG. 3 is a top plan view of the lint roller device shown in FIG. 1;

FIG. 4 is a bottom plan view of the lint roller device shown in FIG. 1;

FIG. 5 is a front elevation view of the lint roller device shown in FIG. 1;

FIG. 6 is a rear elevation view of the lint roller device shown in FIG. 1;

FIG. 7 is a right side view of the lint roller device shown in FIG. 1;

FIG. 8 is a left side view of the lint roller device shown in FIG. 1;

FIG. 9 is a top perspective view of the lint roller device shown in FIG. 1, in a second example configuration;

FIG. 10 is a bottom perspective view of the lint roller device shown in FIG. 9;

FIG. 11 is a top plan view of the lint roller device shown in FIG. 9;

FIG. 12 is a bottom plan view of the lint roller device shown in FIG. 9;

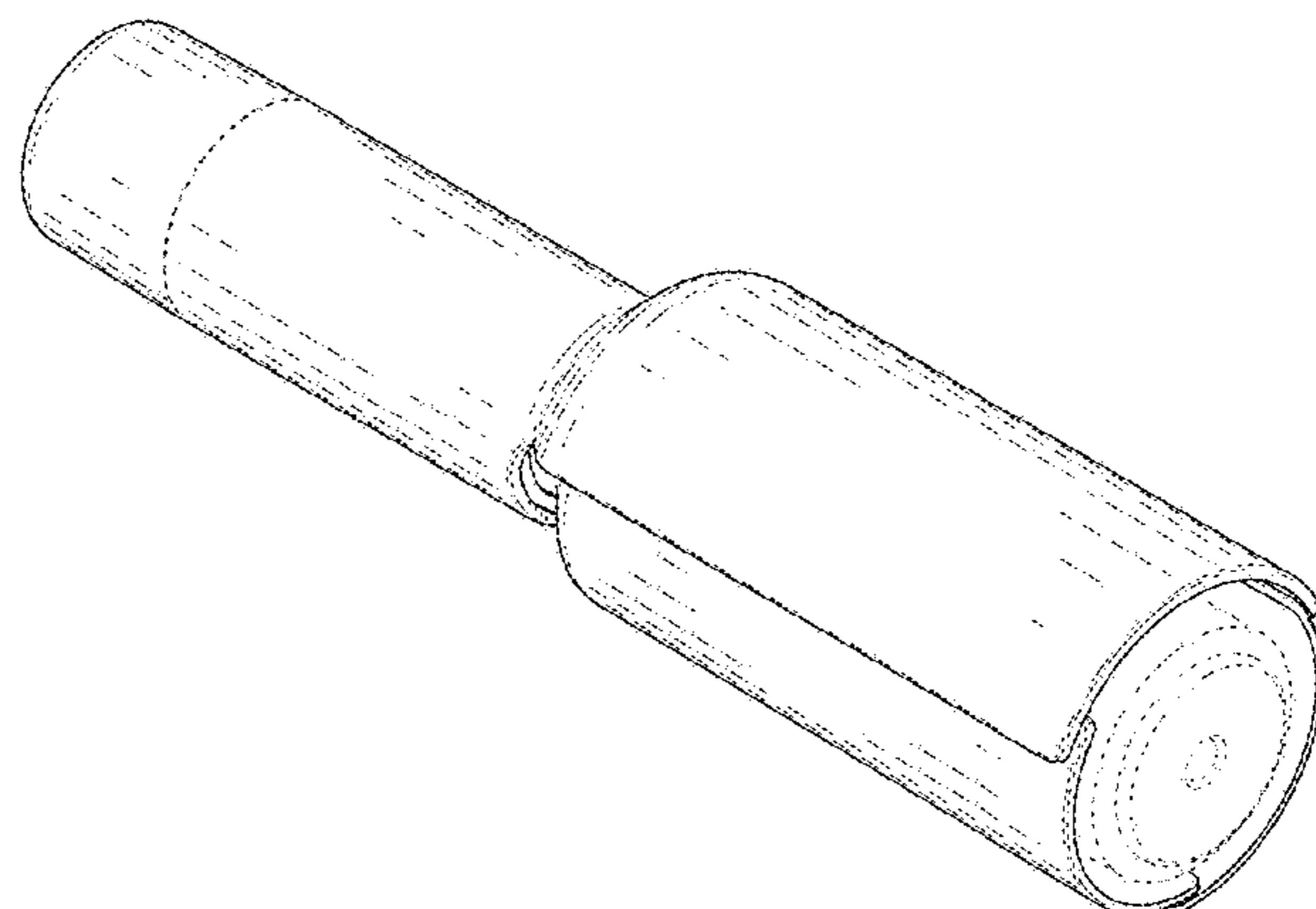
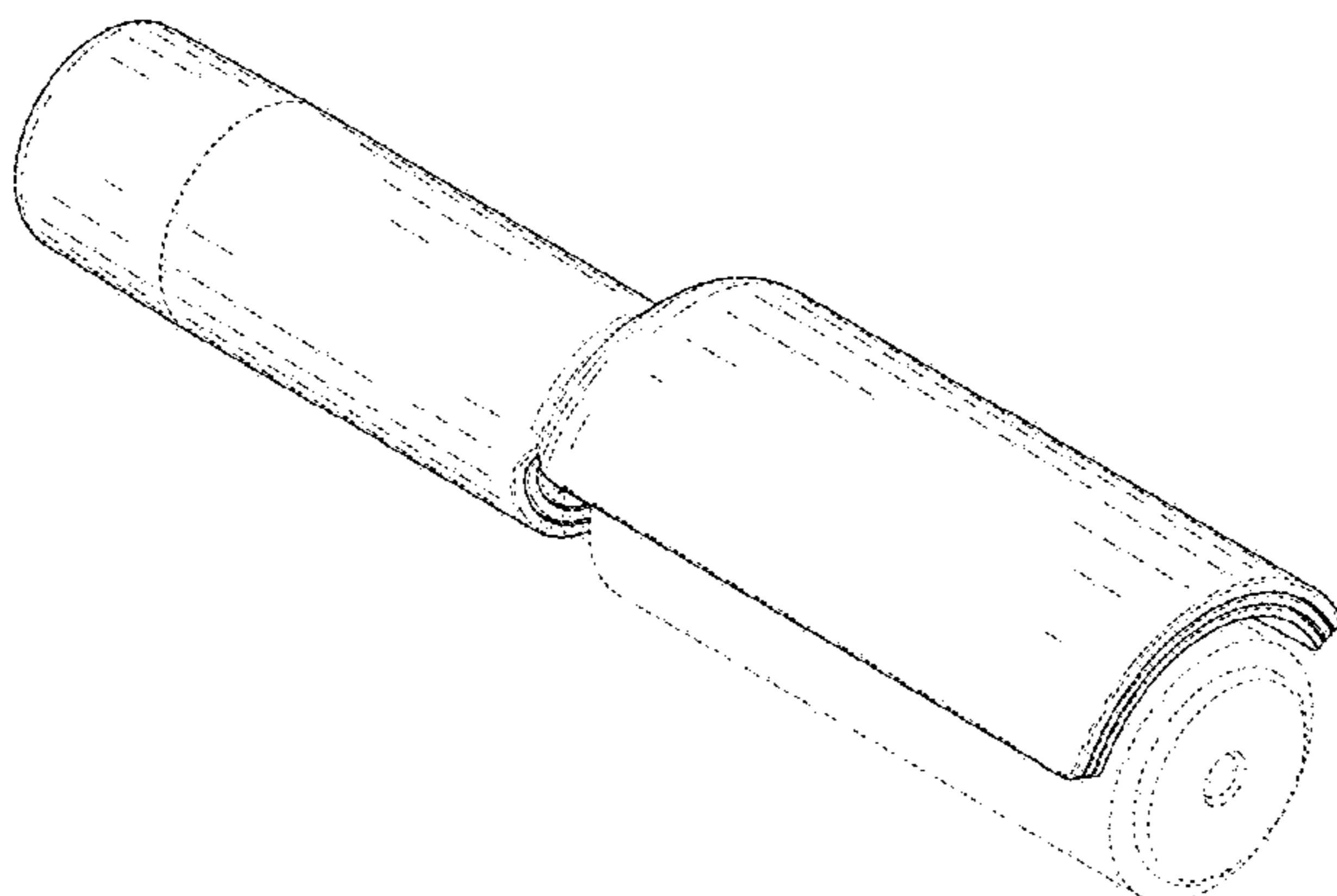
FIG. 13 is a front elevation view of the lint roller device shown in FIG. 9;

FIG. 14 is a rear elevation view of the lint roller device shown in FIG. 9;

FIG. 15 is a right side view of the lint roller device shown in FIG. 9; and,

FIG. 16 is a left side view of the lint roller device shown in FIG. 9.

**1 Claim, 6 Drawing Sheets**



(58) **Field of Classification Search**

CPC . 1/00; B25G 1/005; B25G 1/10; B25G 1/102;  
B25G 1/105; B26B 1/10; Y10S 16/12;  
Y10S 16/19; Y10T 16/446; Y10T 16/469;  
Y10T 16/476; A47L 25/00; A47L 25/005;  
A47L 25/08; B08B 1/00; B08B 1/04;  
B08B 7/0028; B05C 17/02; B05C  
17/0205; B05C 17/0217; B05C 17/0222;  
B05C 17/0225

See application file for complete search history.

(56) **References Cited**

U.S. PATENT DOCUMENTS

D552,356 S *	10/2007	Newbould .....	D4/122
D573,798 S *	7/2008	Catalfamo .....	D4/122
D575,065 S *	8/2008	Benson .....	D4/122
D629,616 S *	12/2010	Vasilakes .....	D4/122
D656,319 S *	3/2012	Kye .....	D4/122
D674,611 S *	1/2013	Gullatt .....	D4/122
8,479,346 B1 *	7/2013	Raghuprasad .....	A47L 13/34 15/111
D756,131 S *	5/2016	Michelson .....	D4/122
D756,132 S *	5/2016	Michelson .....	D4/122
D756,663 S *	5/2016	Michelson .....	D4/122

\* cited by examiner

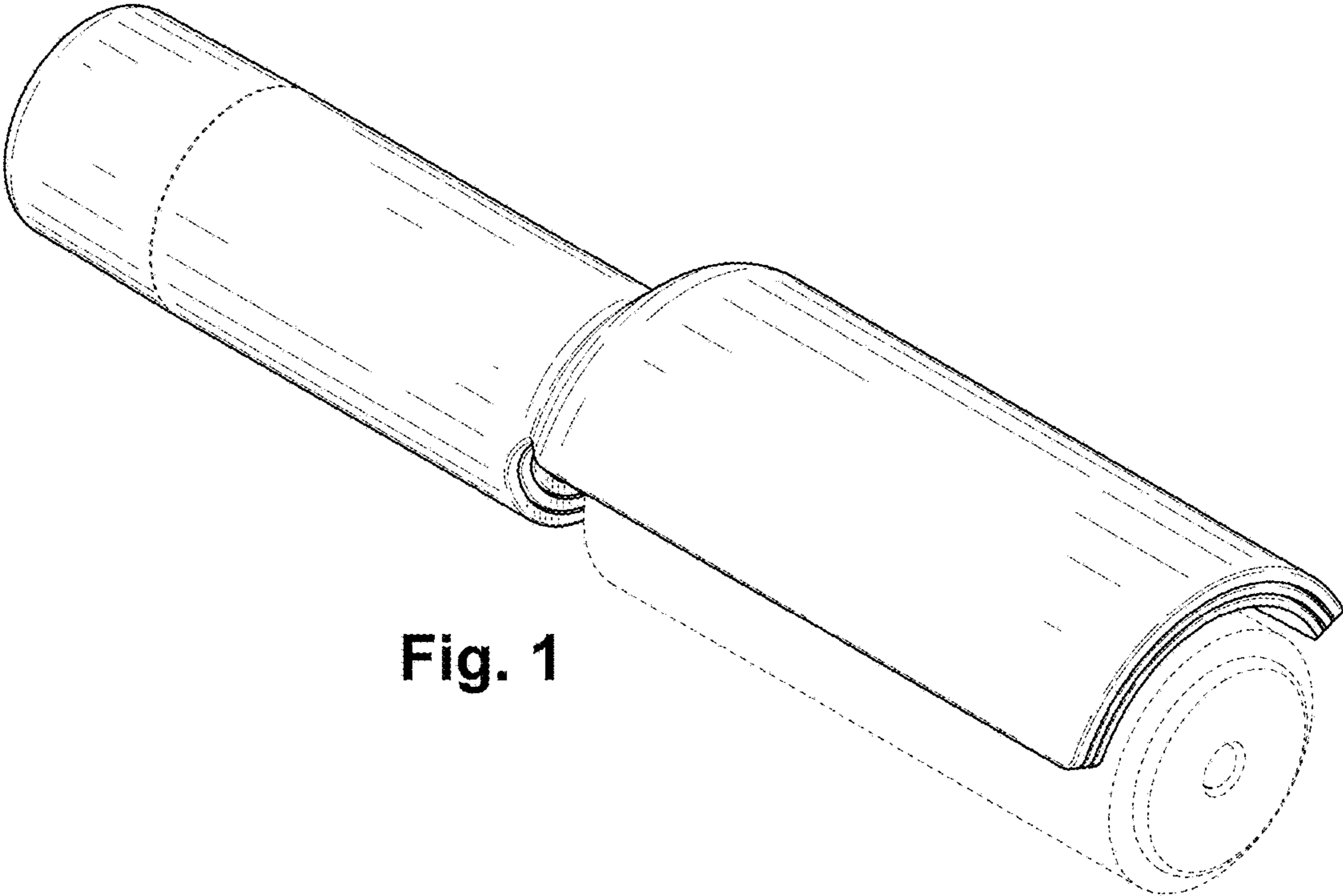


Fig. 1

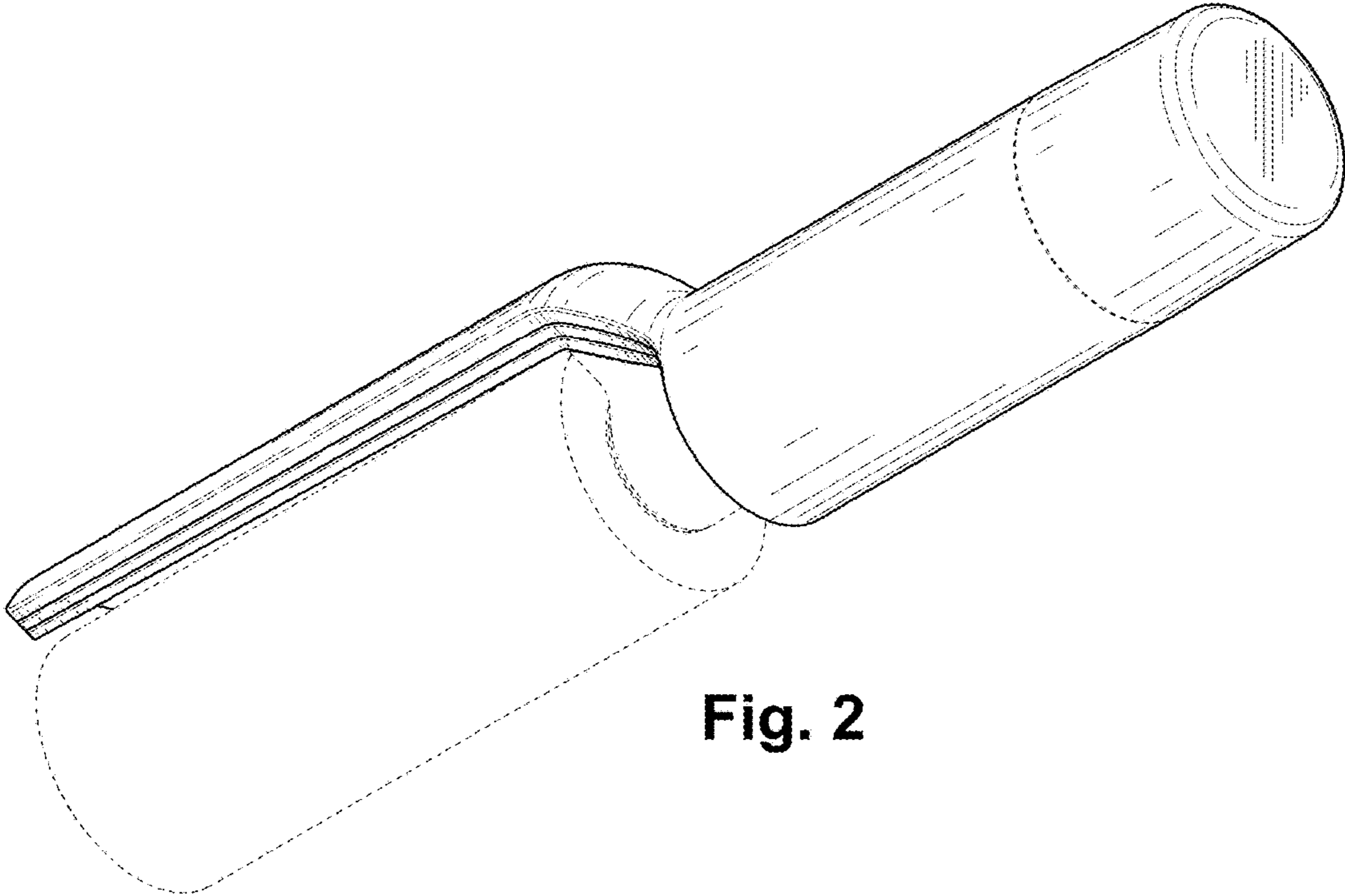


Fig. 2

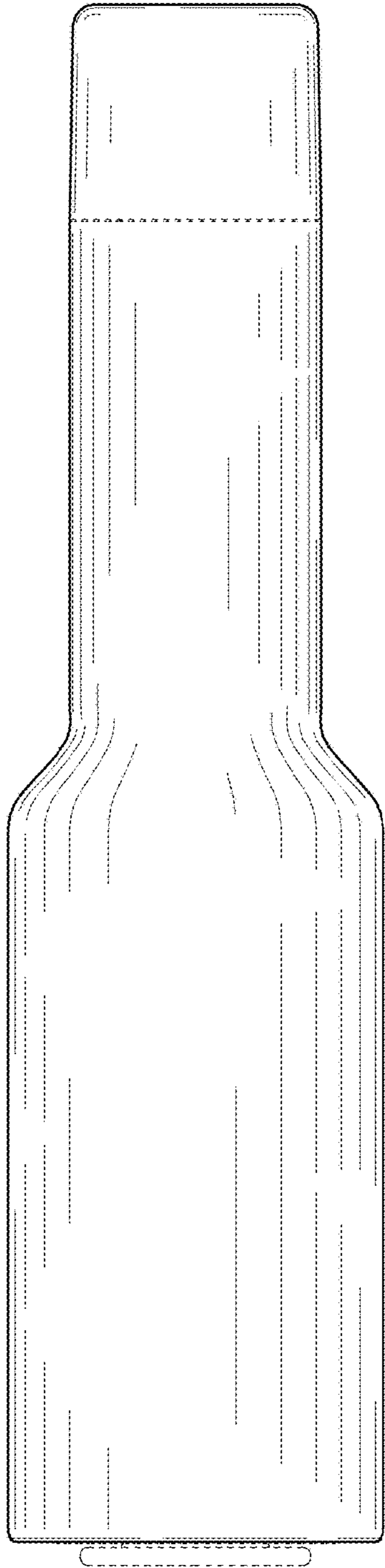


Fig. 3

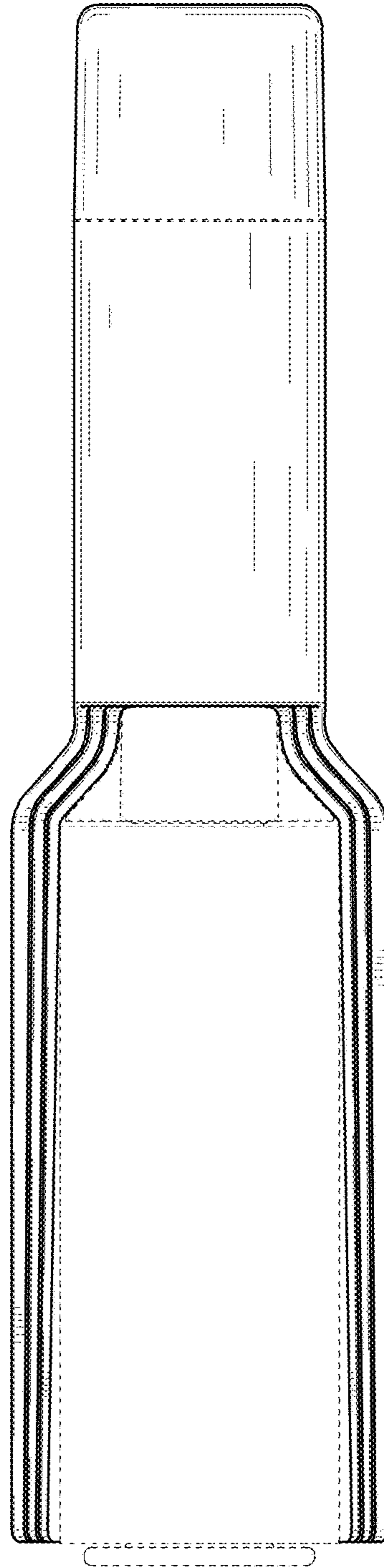


Fig. 4



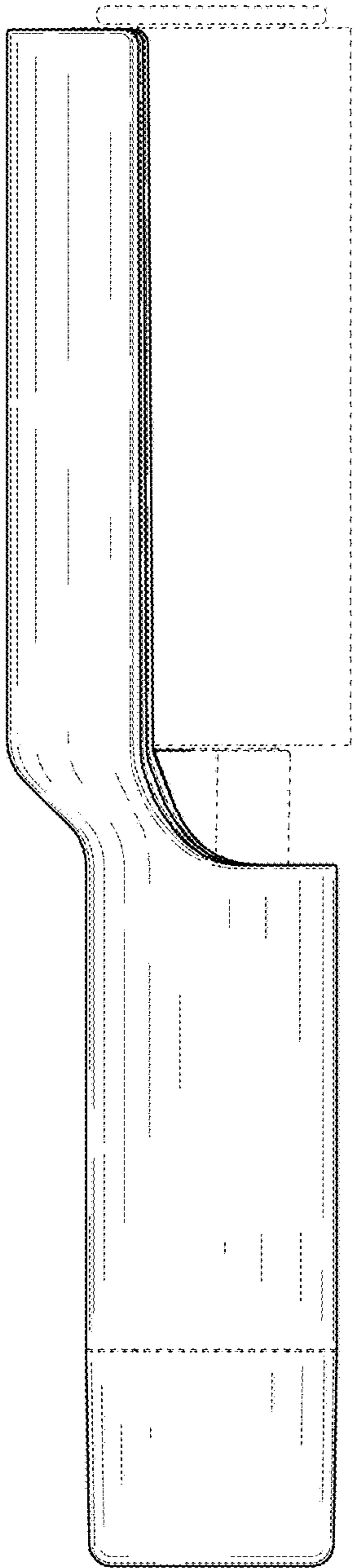


Fig. 5

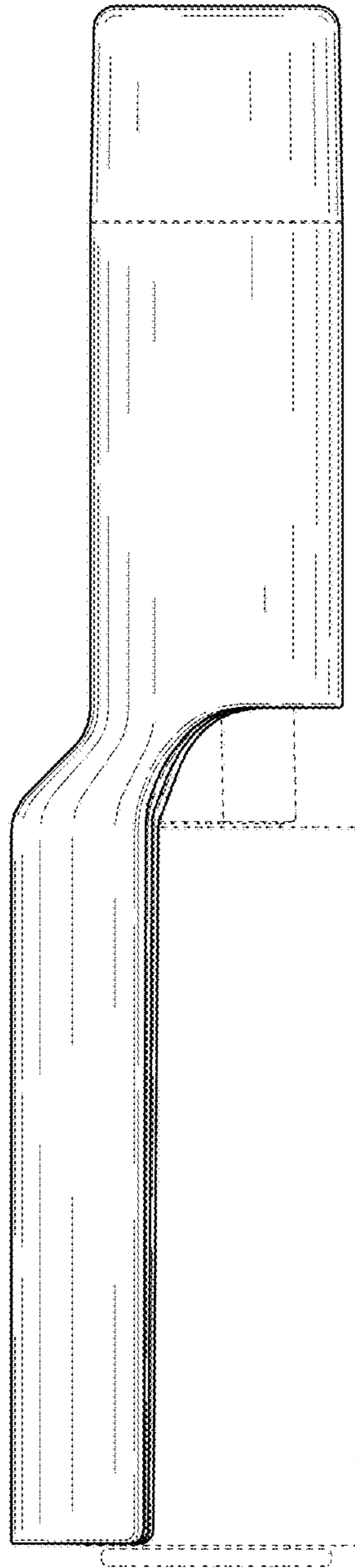


Fig. 6

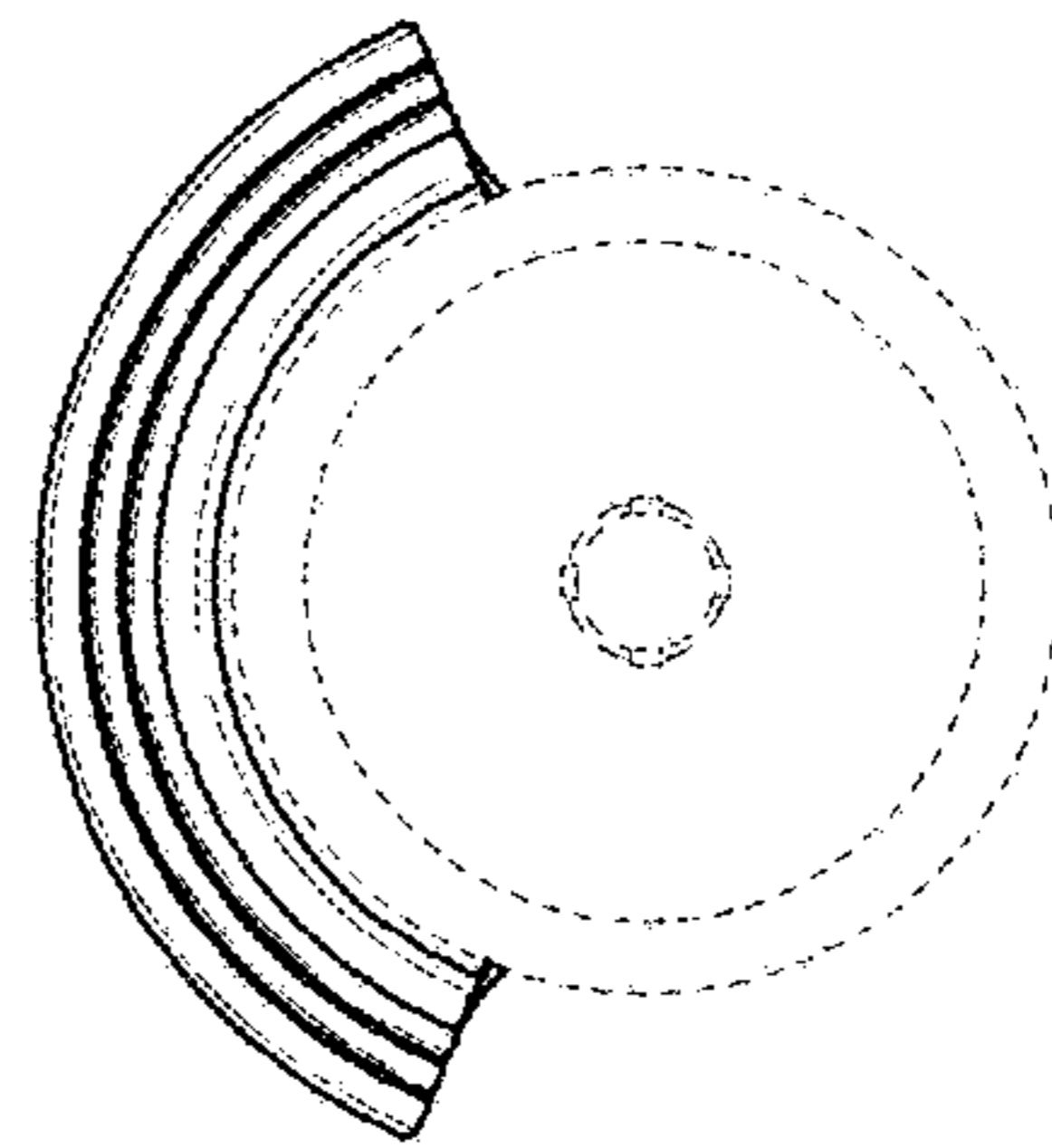


Fig. 7

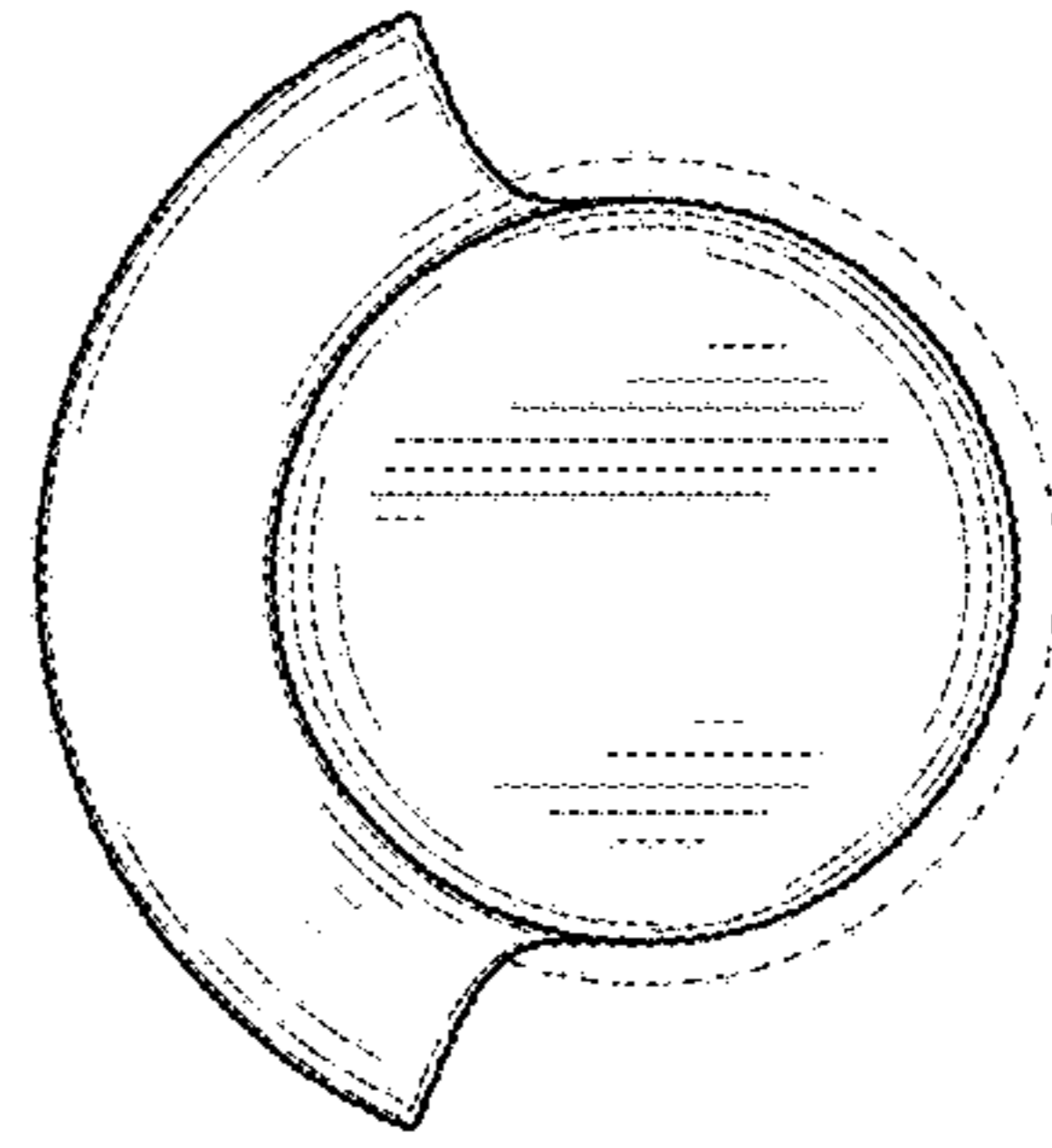
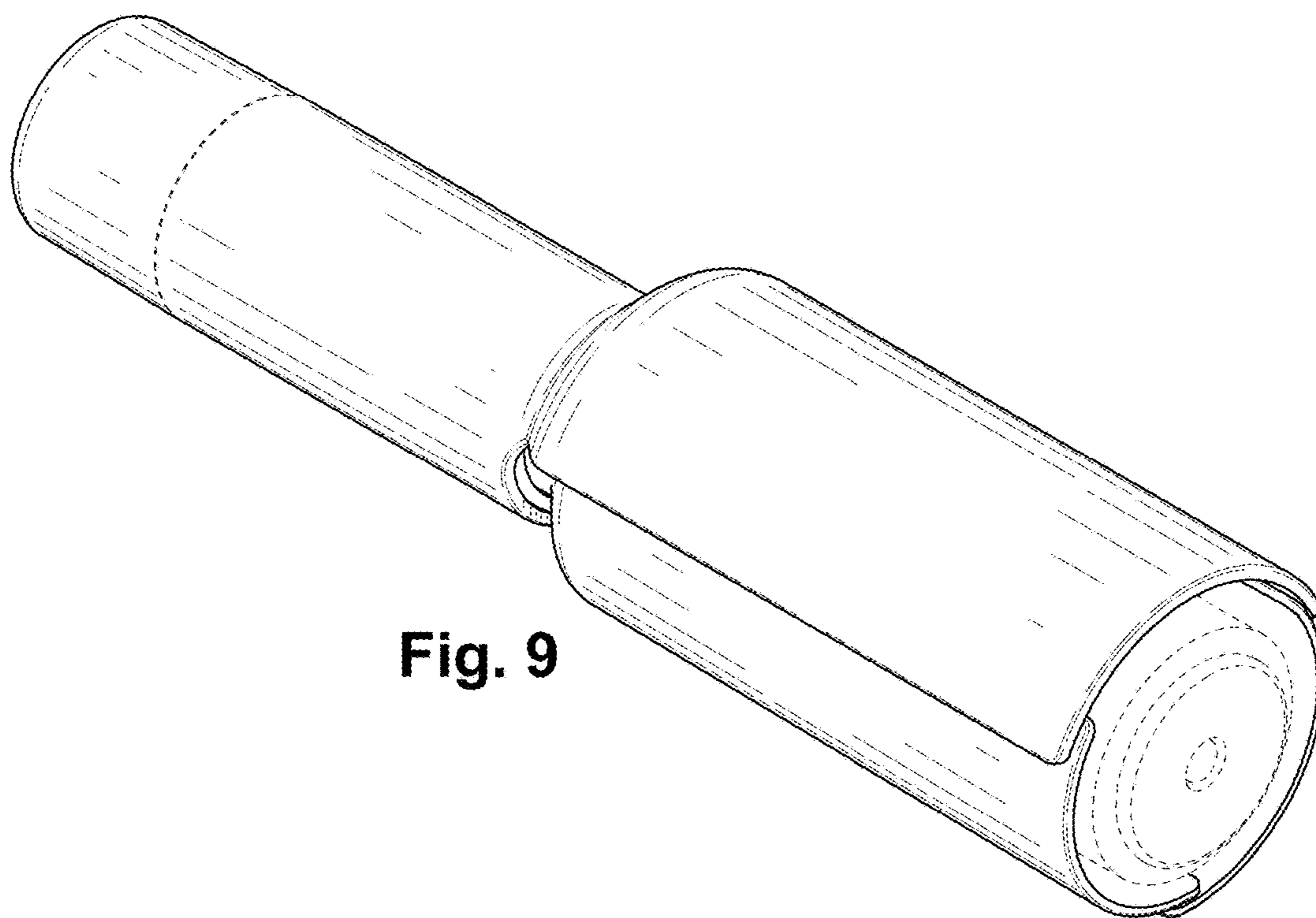
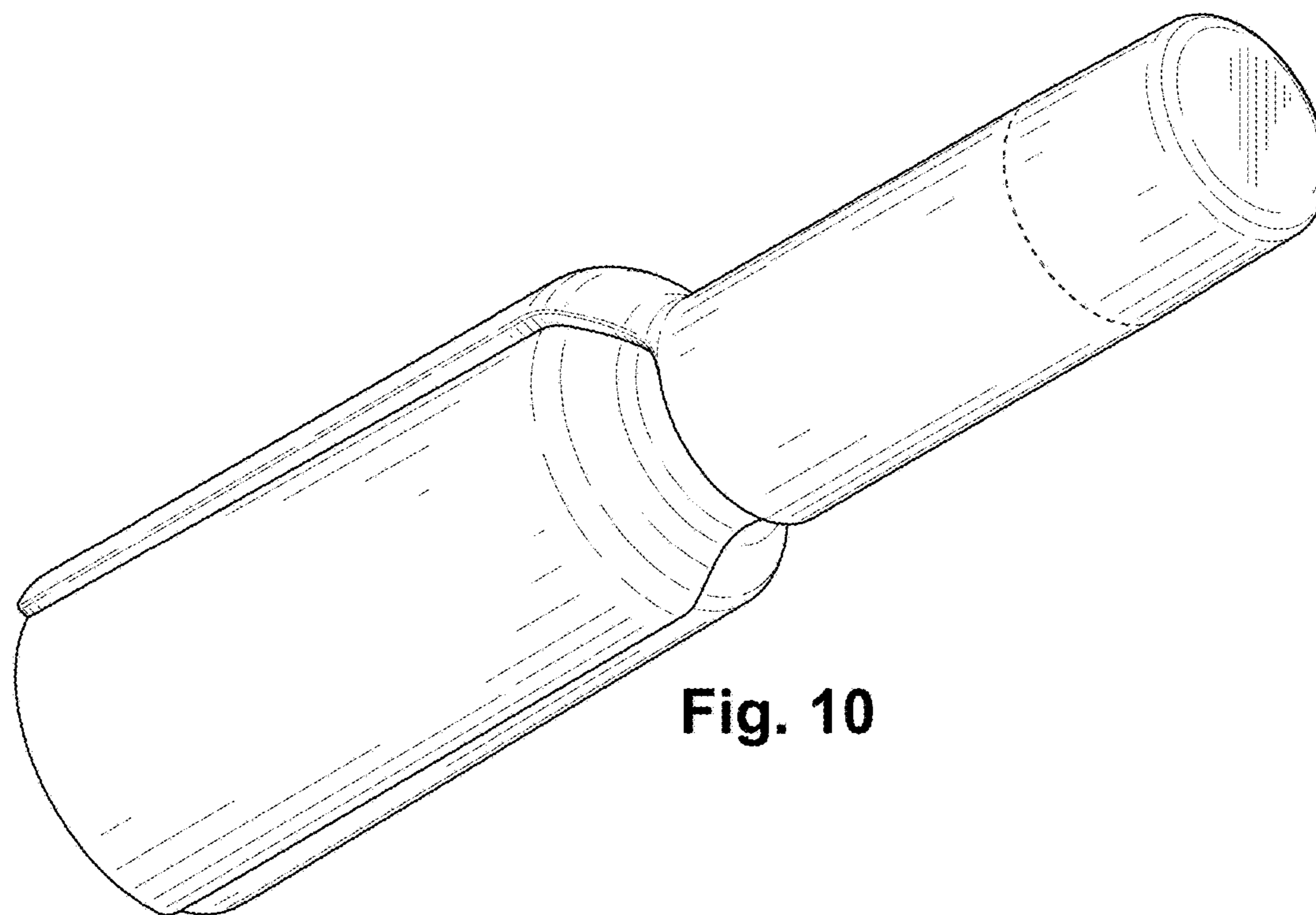


Fig. 8



**Fig. 9**



**Fig. 10**

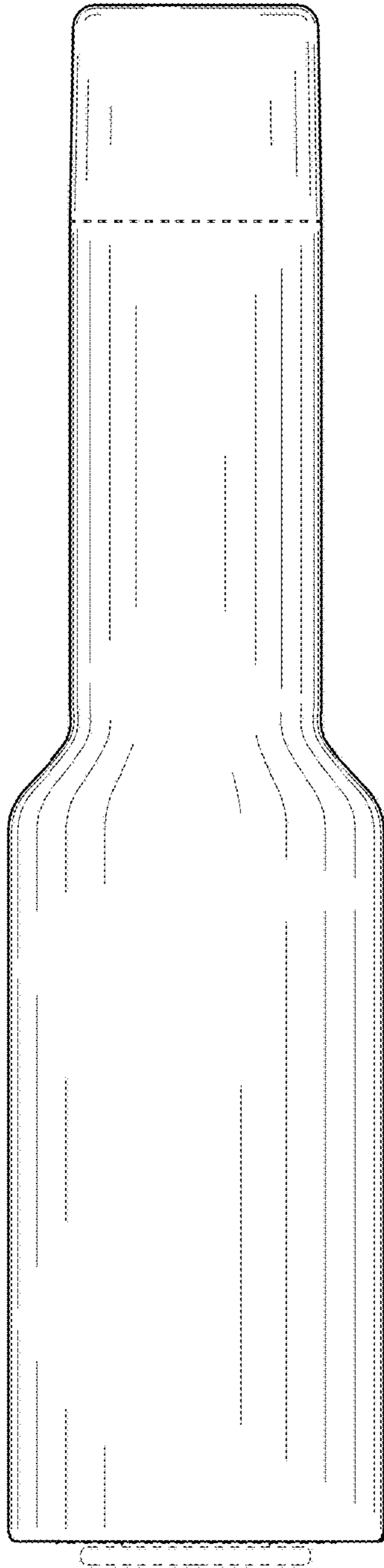


Fig. 11

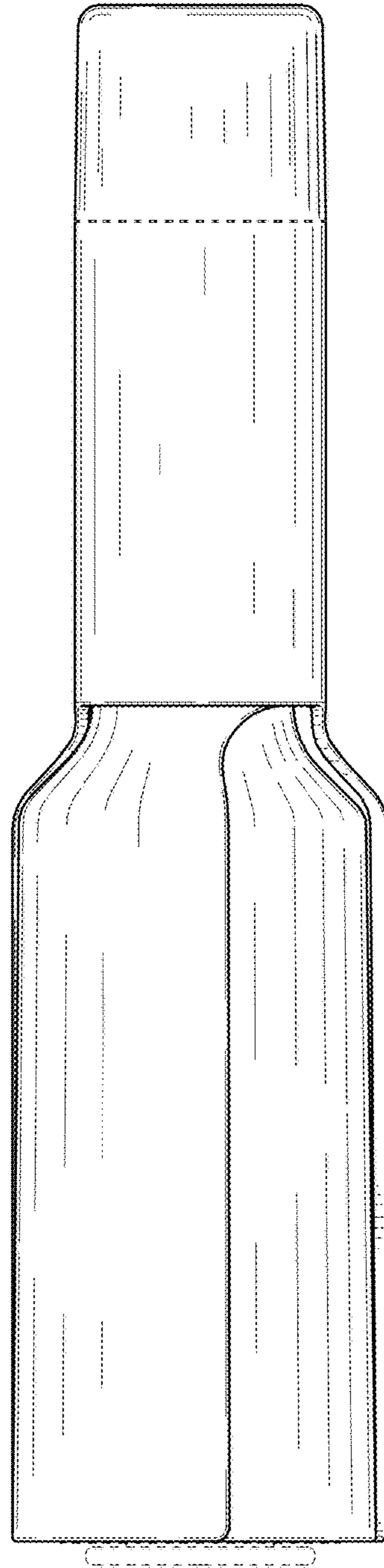


Fig. 12

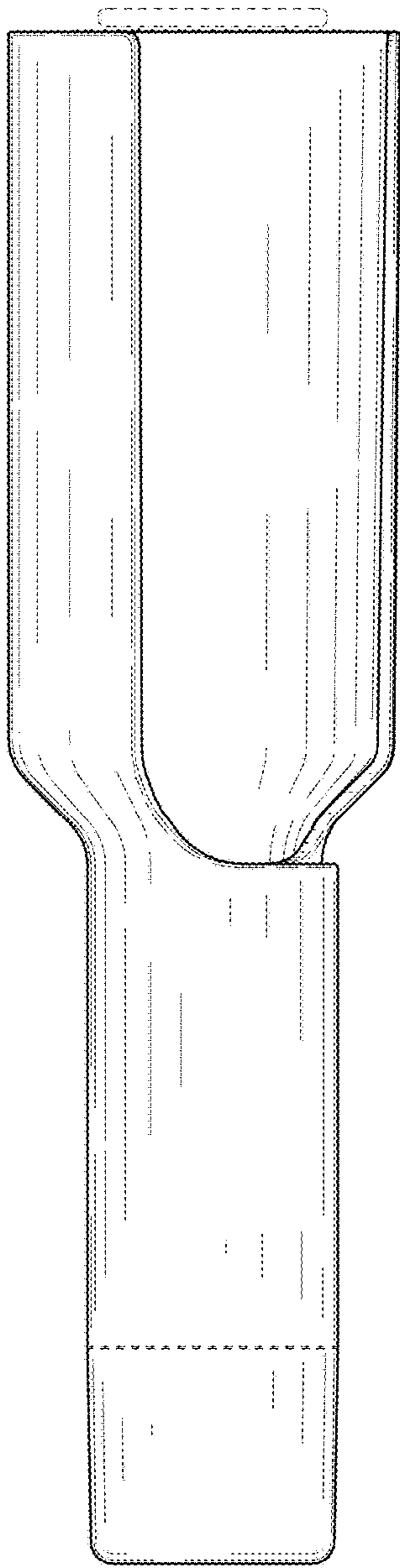


Fig. 13

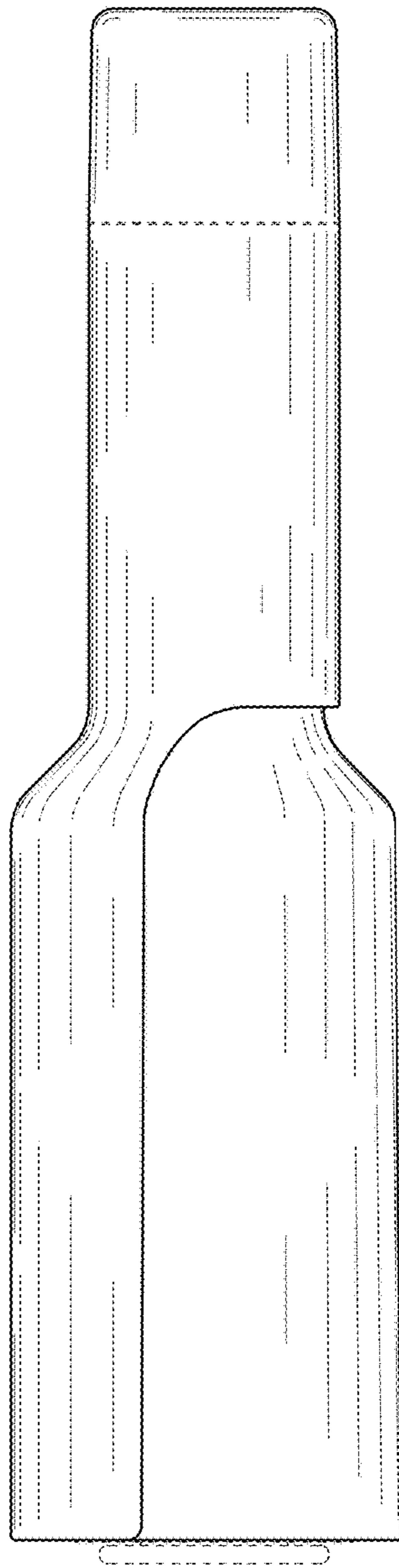


Fig. 14

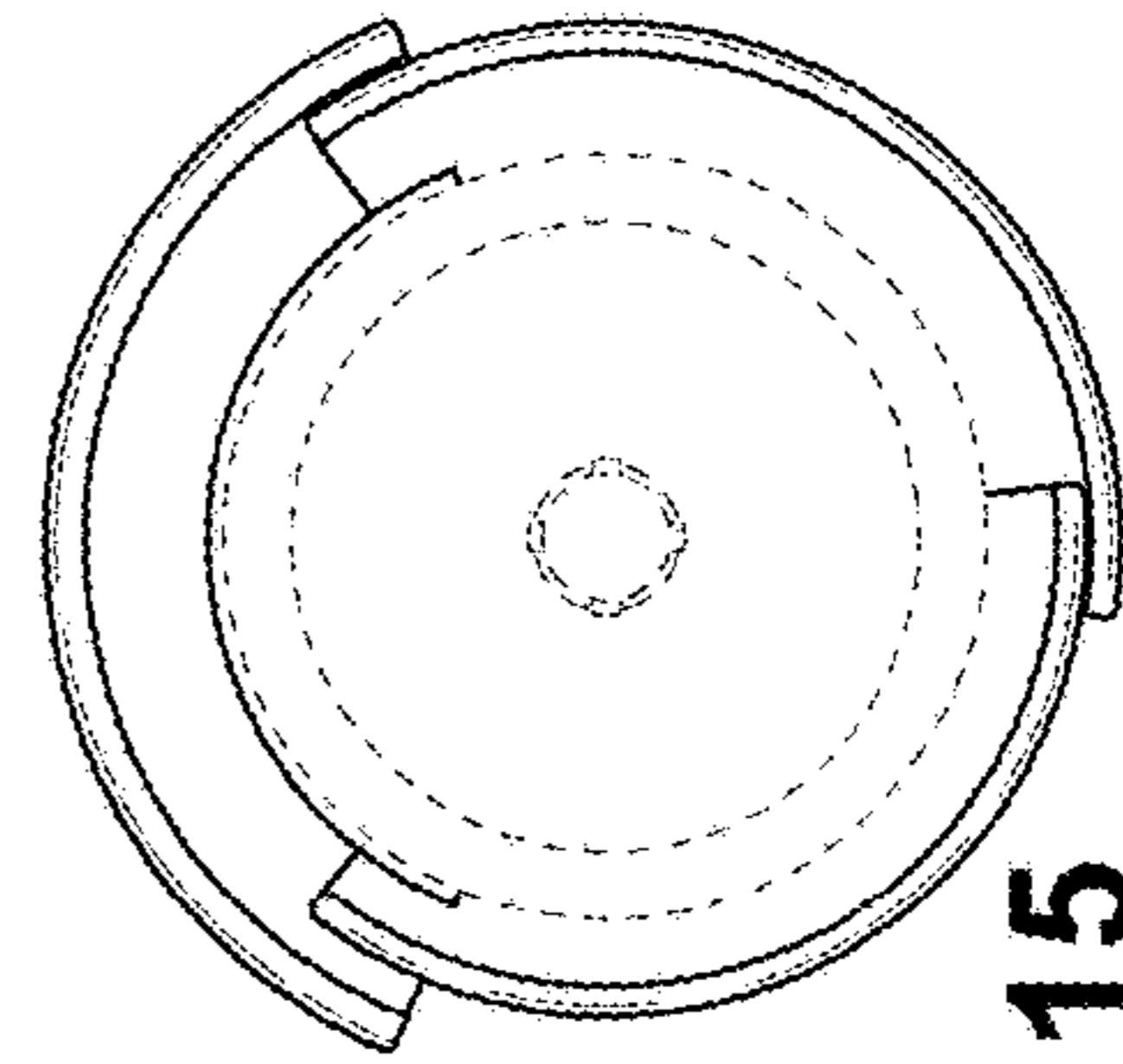


Fig. 15

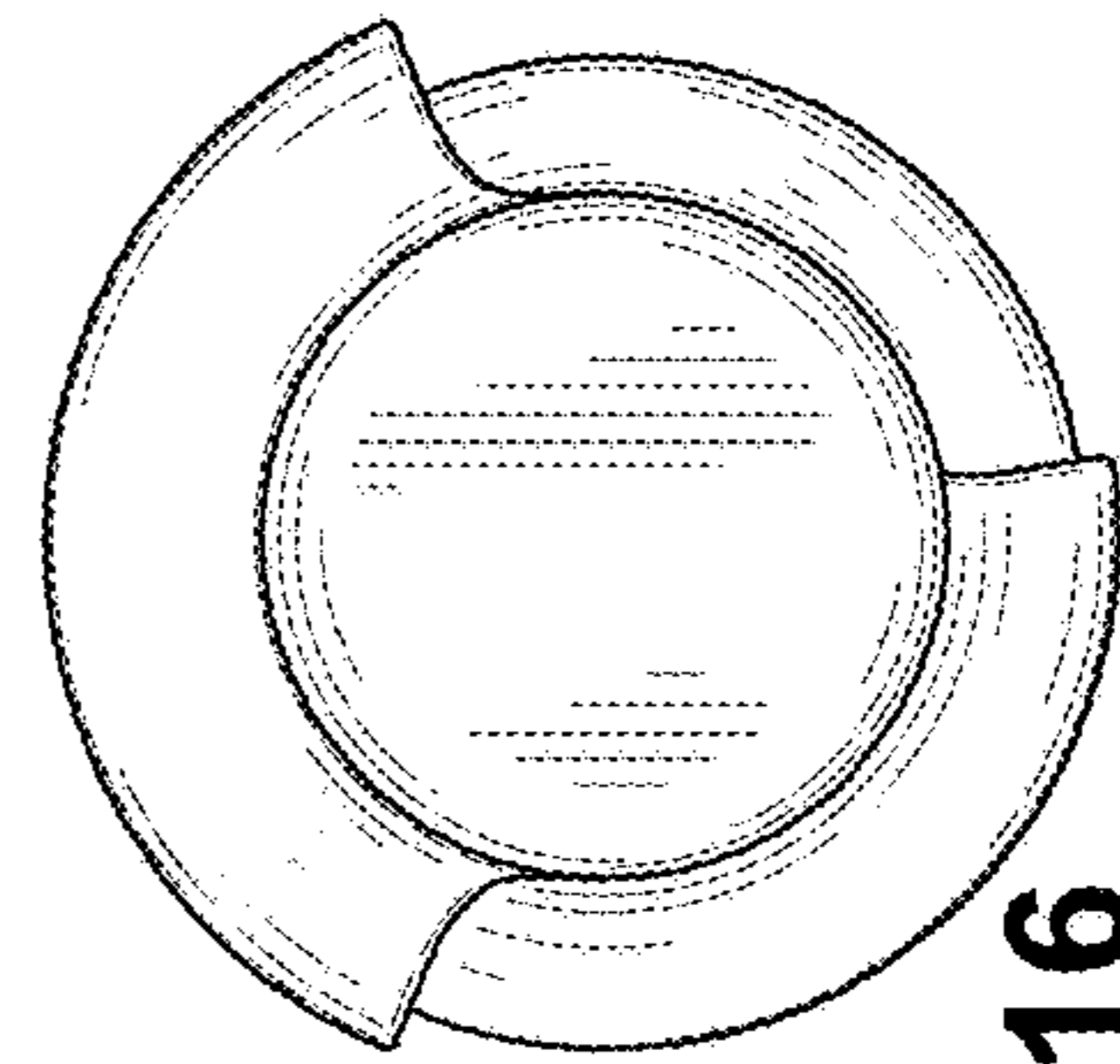


Fig. 16