

US00D802305S

(12) **United States Design Patent** (10) **Patent No.:** **US D802,305 S**  
**Grabes et al.** (45) **Date of Patent:** **\*\* Nov. 14, 2017**

(54) **BEAUTY CARE DEVICE**

(56) **References Cited**

(71) Applicant: **Braun GmbH**, Kronberg (DE)

U.S. PATENT DOCUMENTS

(72) Inventors: **Oliver Grabes**, Frankfurt (DE);  
**Christine Hielscher**, Frankfurt (DE);  
**Björn Kling**, Glashutten (DE); **Rory  
Frederick Wellington McGarry**,  
Ireland (GB); **Britta Stockinger**,  
Frankfurt (DE); **Sven Wuttig**,  
Griesheim (DE)

D245,883 S 9/1977 Tsuji et al.  
D377,394 S 1/1997 Tillman et al.  
(Continued)

FOREIGN PATENT DOCUMENTS

DE 40105126-0001 11/2001  
EM 00374681-0001 9/2005

(Continued)

(73) Assignee: **Braun GmbH**, Kronberg (DE)

(\*\*) Term: **15 Years**

OTHER PUBLICATIONS

(21) Appl. No.: **29/596,903**

WIPO DM/063496 Registered Design, (Koninklijke Philips Elec-  
tronics N.V.) Jun. 11, 2003, [online], retrieved on Jun. 2, 2015]  
Retrieved from the Hague Express Design Database of the World  
Intellectual Property Organization using the Internet: [URL:http://  
www.wipo.int].

(22) Filed: **Mar. 13, 2017**

**Related U.S. Application Data**

(62) Division of application No. 29/477,034, filed on Dec.  
19, 2013, now Pat. No. Des. 784,703.

*Primary Examiner* — Marianne Pandozzi

*Assistant Examiner* — Aula Soroush

(30) **Foreign Application Priority Data**

Jun. 28, 2013 (WO) ..... 747138801

(74) *Attorney, Agent, or Firm* — Ronald T. Sia; Kevin C.  
Johnson; Steven W. Miller

(51) **LOC (10) Cl.** ..... **04-02**

(57) **CLAIM**

The ornamental design for a beauty care device, as shown  
and described.

(52) **U.S. Cl.**  
USPC ..... **D4/102**

**DESCRIPTION**

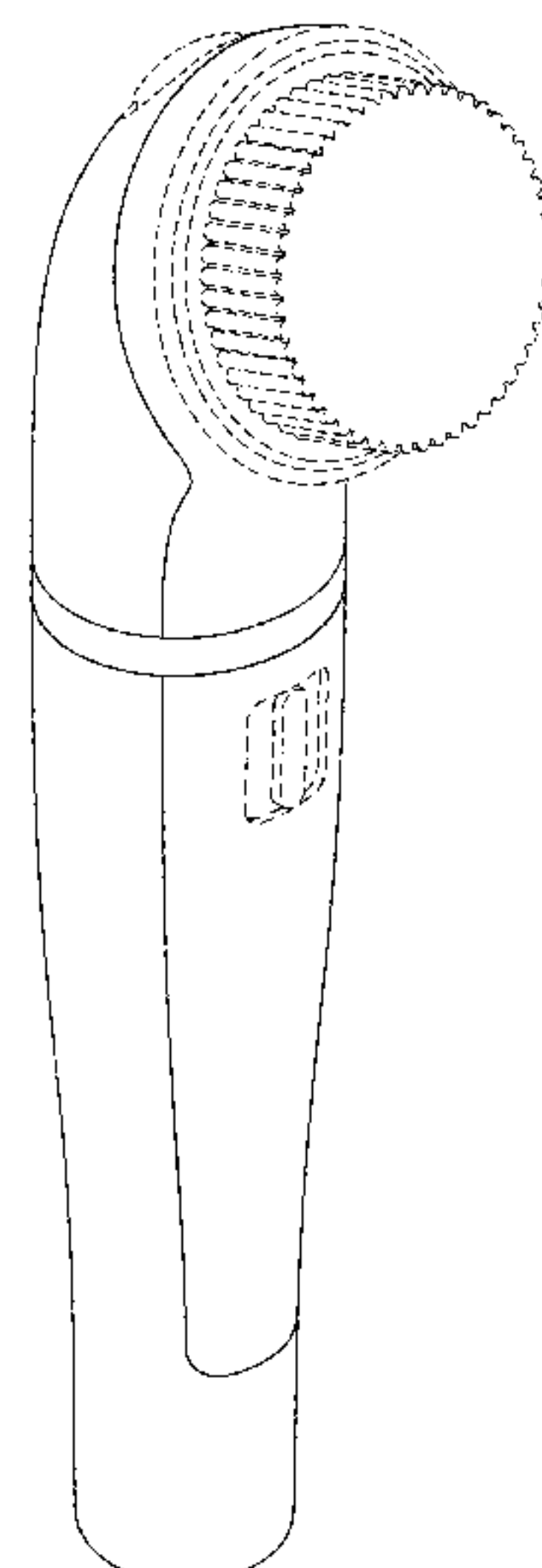
(58) **Field of Classification Search**

USPC ..... D4/100, 102, 127; 15/28, 29, 34, 36,  
15/176.1, 176.2, 176.4; D24/146, 214,  
D24/215; D28/63; 601/112, 114, 136,  
601/137  
CPC .. A46B 3/00; A46B 3/005; A46B 3/02; A46B  
3/04; A46B 3/22; A46B 5/0095; A46B  
7/00; A46B 7/04; A46B 7/042; A46B  
7/046; A46B 7/06; A46B 7/08; A46B  
9/00; A46B 9/005; A46B 9/02; A46B  
9/026;

FIG. 1 is a perspective view of a beauty care device;  
FIG. 2 is a front view thereof;  
FIG. 3 is a left side view thereof;  
FIG. 4 is a rear view thereof;  
FIG. 5 is a right side view thereof;  
FIG. 6 is a top plan view thereof; and,  
FIG. 7 is a bottom view thereof.  
The broken lines in the drawing depict portions of the beauty  
care device that form no part of the claimed design.

(Continued)

**1 Claim, 3 Drawing Sheets**



(58) **Field of Classification Search**

CPC ..... A46B 9/028; A46B 13/00; A46B 13/008;  
 A46B 13/02; A46B 13/026; A46B 13/08;  
 A46B 2200/102; A46B 2200/1033; A47L  
 23/06; A61H 7/00; A61H 7/002; A61H  
 7/003; A61H 7/004; A61H 7/005; A61H  
 2205/022

See application file for complete search history.

2015/0333609	A1	11/2015	Lattanzi et al.
2015/0359324	A1	12/2015	Brewer
2016/0037902	A1	2/2016	Grez
2016/0183670	A1	6/2016	Brewer et al.
2016/0184175	A1	6/2016	Caberlotto et al.
2016/0184176	A1	6/2016	Caberlotto et al.
2016/0184177	A1	6/2016	Caberlotto et al.
2016/0192814	A1	7/2016	Kang et al.
2016/0270821	A1	9/2016	Hendler et al.
2016/0278584	A1	9/2016	Hwang et al.
2017/0042386	A1*	2/2017	Shokoohi ..... A47K 7/02
2017/0086627	A1*	3/2017	Fang ..... A46B 13/02
2017/0112333	A1*	4/2017	McCauley ..... A47K 7/043
2017/0119144	A1*	5/2017	Brewer ..... A46B 15/001

(56) **References Cited**

U.S. PATENT DOCUMENTS

D510,138	S	9/2005	Kim
D710,054	S	7/2014	Grabes et al.
9,272,141	B2	3/2016	Nichols
9,421,146	B2	8/2016	Muraki et al.
D767,897	S	10/2016	Hosler et al.
D773,823	S *	12/2016	Wong ..... D4/102
9,554,963	B2 *	1/2017	Pilcher ..... A46B 15/0002
D781,588	S *	3/2017	Lee ..... D4/102
D784,703	S *	4/2017	Grabes ..... D4/102
9,681,782	B2 *	6/2017	McCauley ..... A47K 7/043
2010/0217263	A1	8/2010	Tukulj-Popovic
2013/0046212	A1	2/2013	Nichols

FOREIGN PATENT DOCUMENTS

EM	00712377-0001	6/2007
EM	00808225-0003	12/2007
EM	01321632-0002	5/2012
EM	01321632-0003	5/2012
IR	00026265-0001	7/1993
IR	00026265-0003	7/1993
IR	00026265-0004	7/1993
KR	300711147-2	10/2013

\* cited by examiner

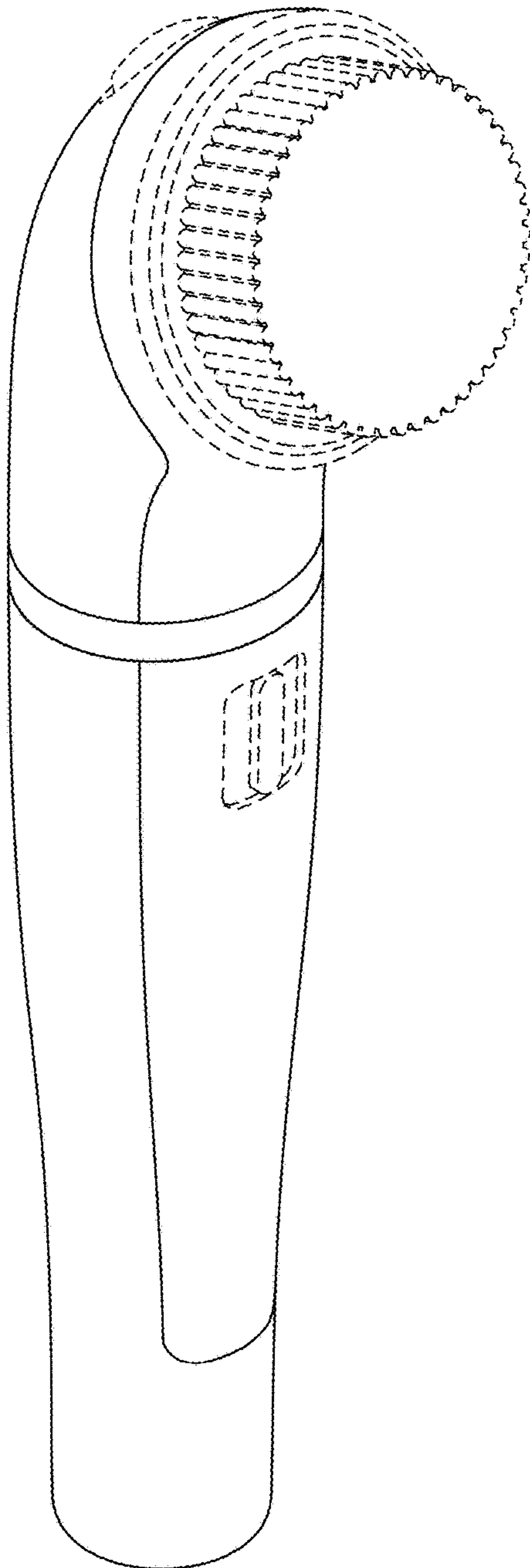


FIG. 1

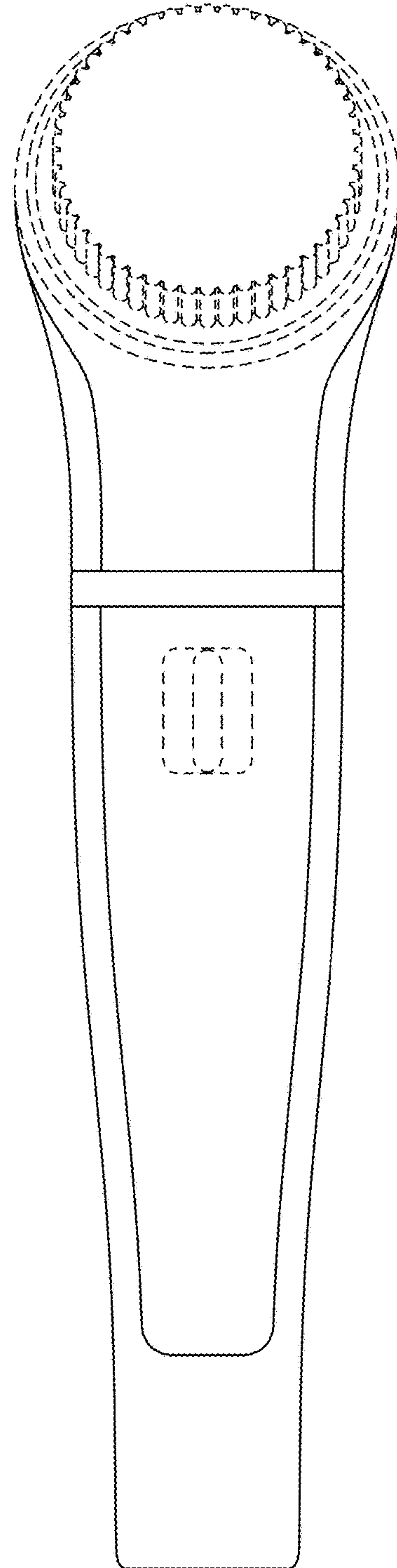


FIG. 2

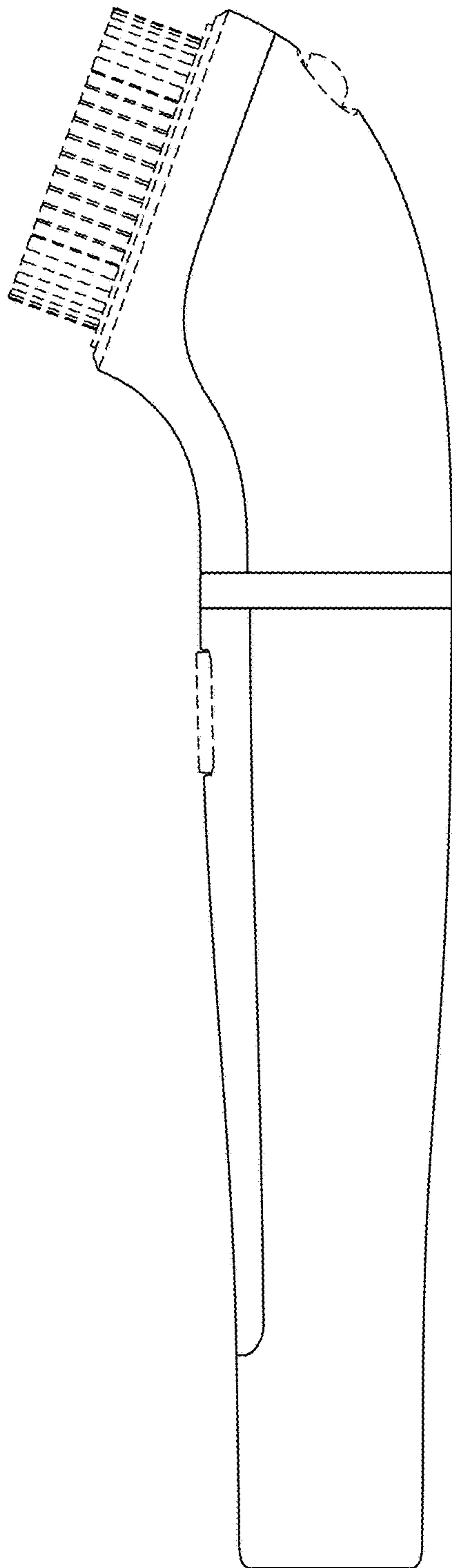


FIG. 3

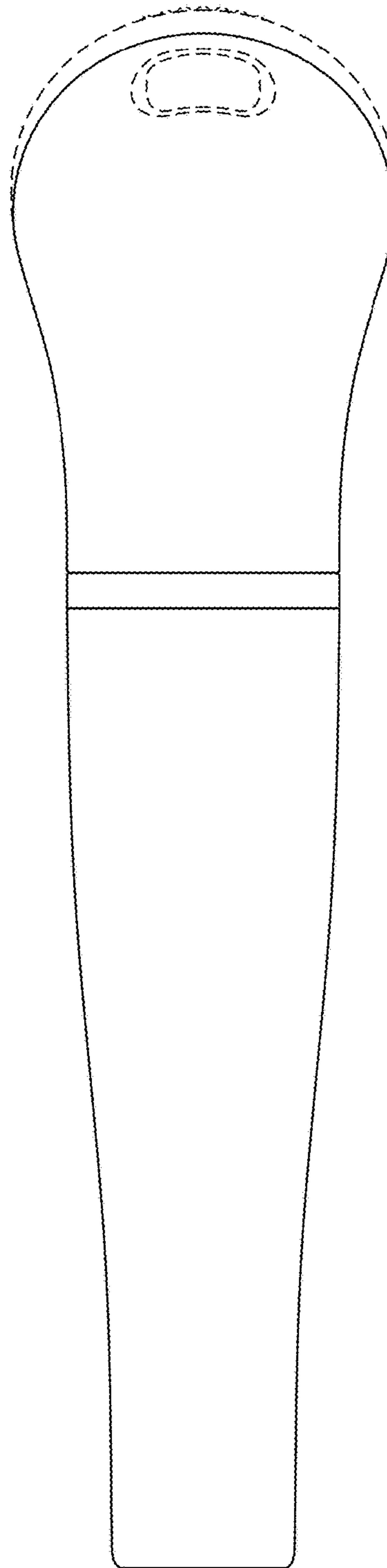


FIG. 4

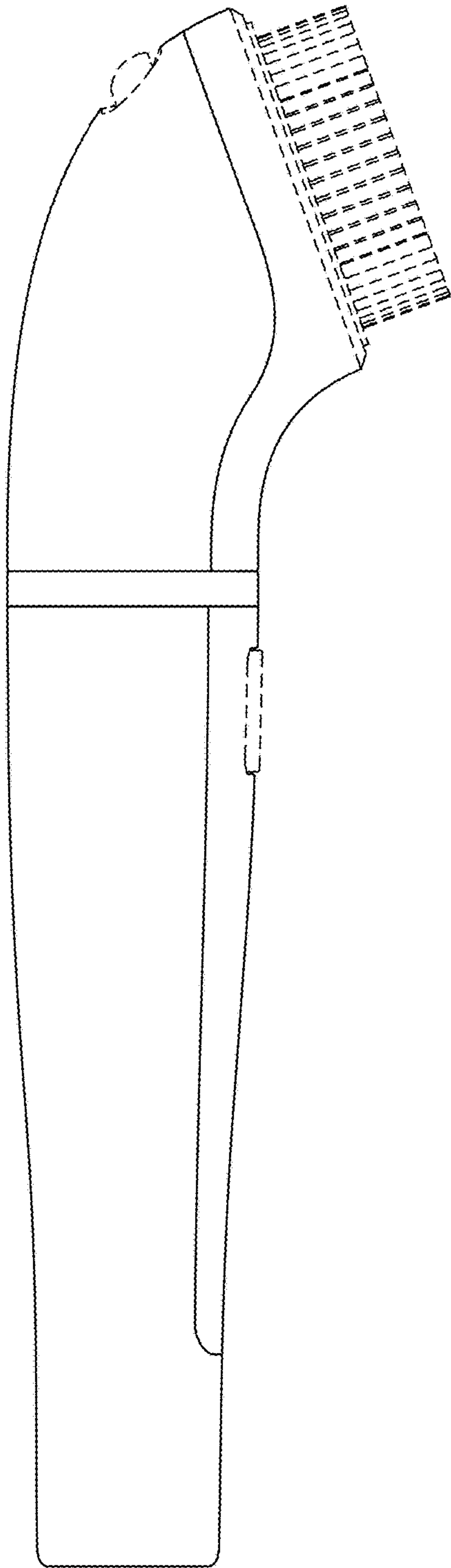


FIG. 5

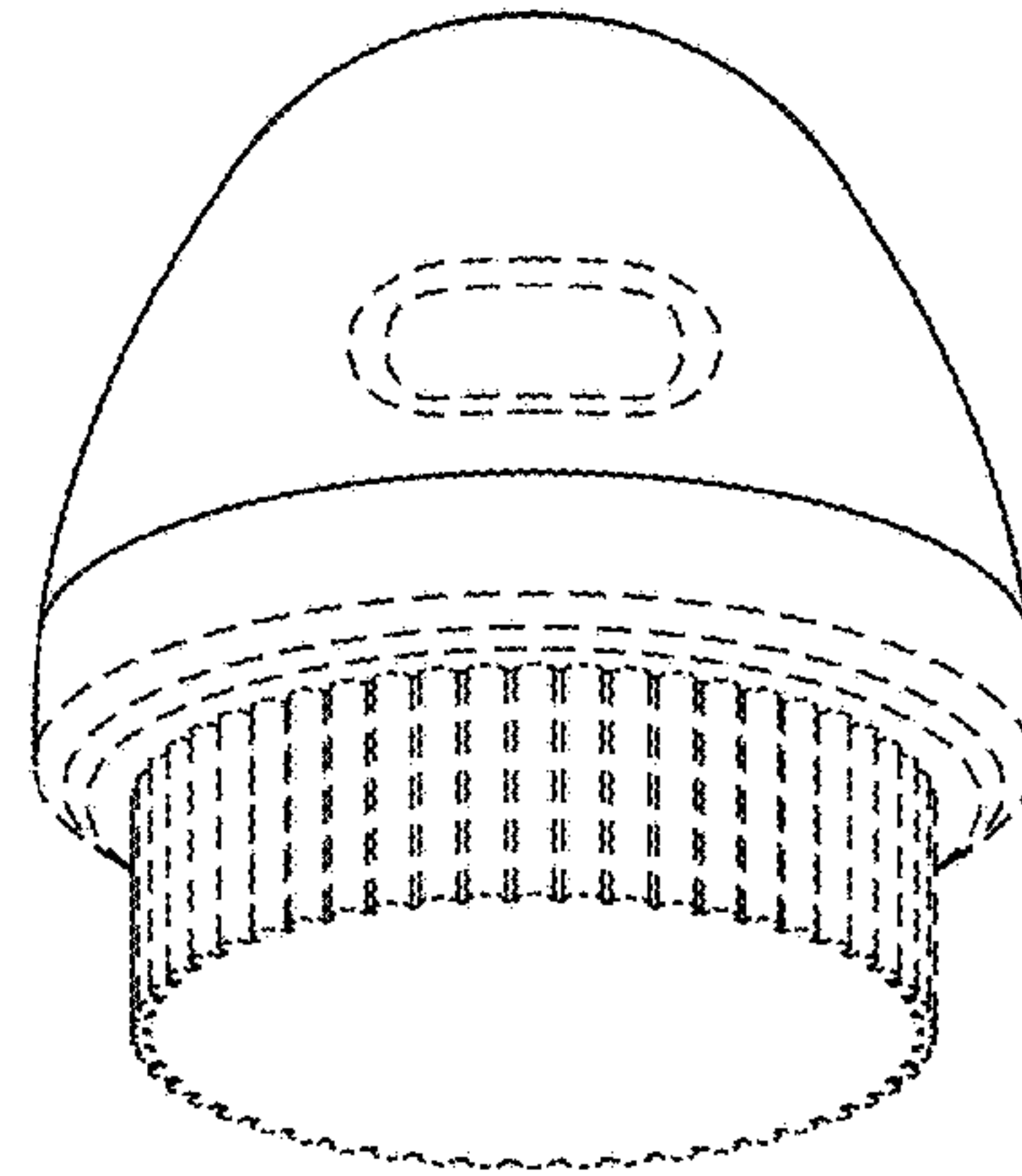


FIG. 6

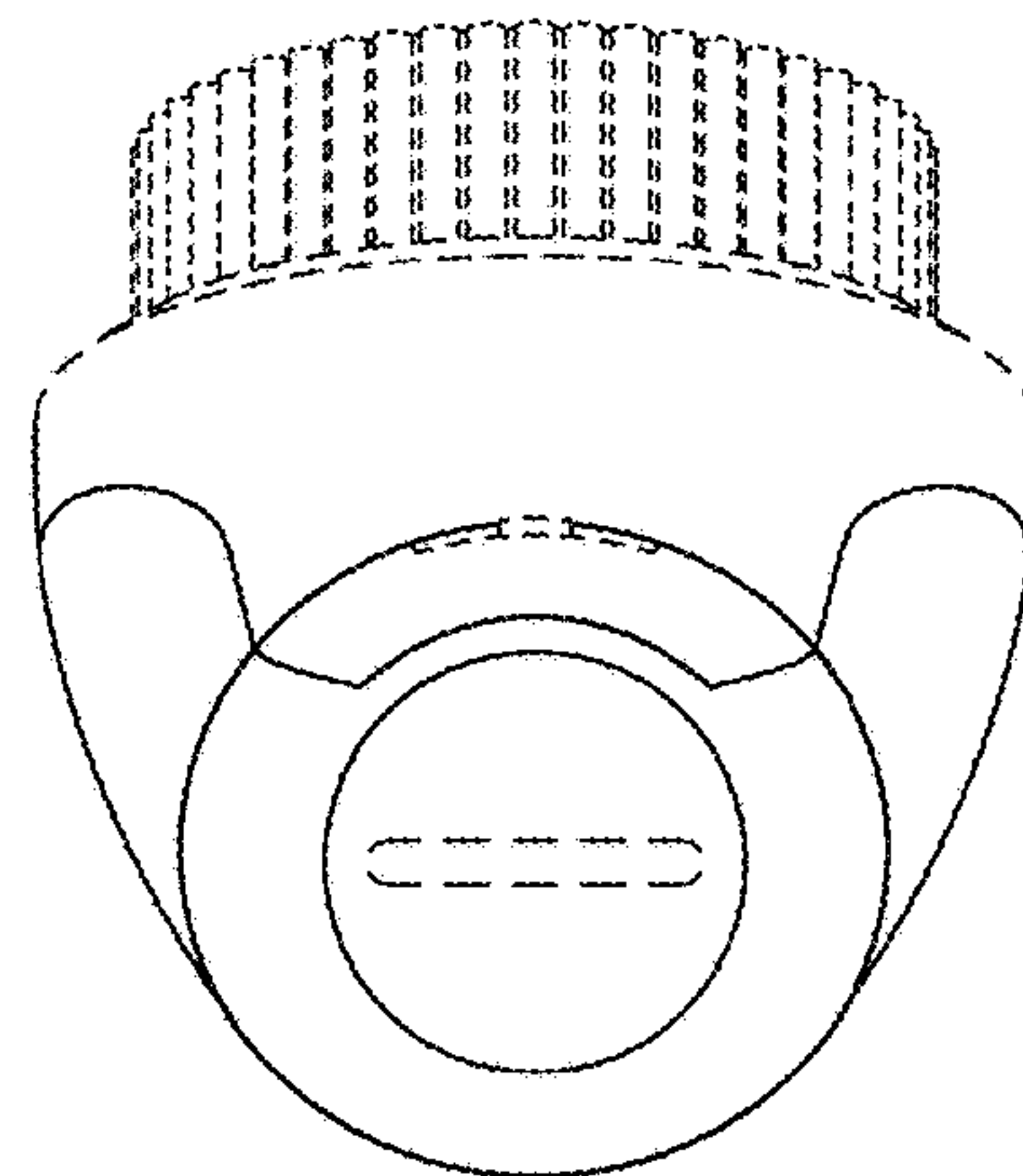


FIG. 7