



US00D802302S

(12) **United States Design Patent**  
**Vollmer et al.**

(10) **Patent No.:** **US D802,302 S**

(45) **Date of Patent:** **\*\* Nov. 14, 2017**

(54) **ELONGATED FACE OPENING POST AND SIDE STACKED DOOR CONTROL BANDED CONTAINER**

(71) Applicants: **Eric Vollmer**, Springdale, AR (US);  
**Christopher DeMoss**, Springdale, AR (US)

(72) Inventors: **Eric Vollmer**, Springdale, AR (US);  
**Christopher DeMoss**, Springdale, AR (US)

(\*\*) Term: **15 Years**

(21) Appl. No.: **29/551,151**

(22) Filed: **Jan. 11, 2016**

(51) **LOC (10) Cl.** ..... **03-01**

(52) **U.S. Cl.**  
USPC ..... **D3/272**

(58) **Field of Classification Search**  
USPC ..... D3/272, 316, 322, 321, 297, 273;  
D9/711; D25/33; D34/1, 38; D7/605  
CPC .... B65D 88/26; B65D 88/542; B65D 88/129;  
B65D 88/00; B65D 88/528; B65D 88/02;  
B65D 88/12; F25D 2331/804  
See application file for complete search history.

(56) **References Cited**

**U.S. PATENT DOCUMENTS**

D213,156 S *	1/1969	Detange	.....	D12/14
D286,619 S *	11/1986	Slucker	.....	D3/272
D336,158 S *	6/1993	Bunger	.....	D3/201
D370,780 S *	6/1996	Bunger	.....	D3/272
5,816,423 A *	10/1998	Fenton	.....	B65D 88/121 220/1.5
D403,153 S *	12/1998	Martineau	.....	D3/272
D426,382 S *	6/2000	Martineau	.....	D3/272
D449,940 S *	11/2001	Girard	.....	D25/33
D536,154 S *	1/2007	Hawes	.....	D34/28
D546,023 S *	7/2007	Hawes	.....	D34/28
D580,653 S *	11/2008	Robaina	.....	D3/272
D647,700 S *	11/2011	Sayag	.....	D3/272

D733,426 S *	7/2015	Haas	.....	D3/272
D764,796 S *	8/2016	Urrea	.....	D3/272
D780,883 S *	3/2017	Schaffner	.....	D23/202
2003/0150769 A1 *	8/2003	Lau	.....	B65D 88/005 206/600
2011/0168593 A1 *	7/2011	Neufeld	.....	B65D 19/0012 206/386
2012/0163939 A1 *	6/2012	Grainger	.....	B65D 90/0073 410/46
2013/0284729 A1 *	10/2013	Cook	.....	B65D 88/68 220/1.5

**OTHER PUBLICATIONS**

Containercontainer, "Small Size Shipping / Storage Container Dimensions", Accessed Jul. 6, 2017. (<https://www.containercontainer.com/small-containers>).\*

\* cited by examiner

*Primary Examiner* — Jennifer Rivard

*Assistant Examiner* — April Rivas

(74) *Attorney, Agent, or Firm* — Keisling & Pieper PLC;  
David B. Pieper

(57) **CLAIM**

The ornamental design for a elongated face opening post and side stacked door control banded container, as shown and described.

**DESCRIPTION**

FIG. 1 is a perspective view of a elongated face opening post and side stacked door control banded container showing my new design;

FIG. 2 is another perspective view thereof;

FIG. 3 is a top view thereof;

FIG. 4 is a front view thereof; and,

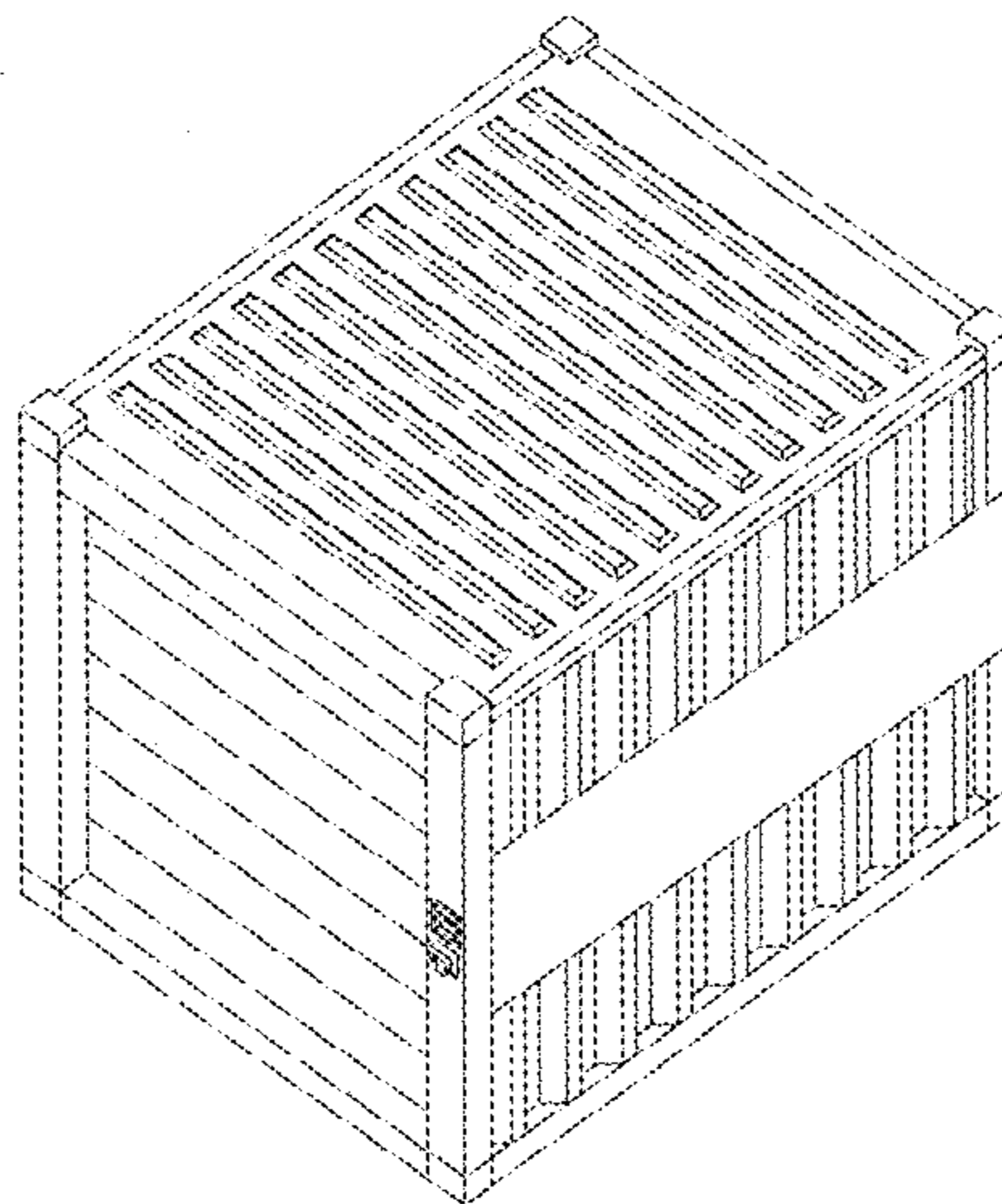
FIG. 5 is a right side view thereof;

FIG. 6 is a back view thereof;

FIG. 7 is a right side view thereof; and,

FIG. 8 is a bottom view thereof.

**1 Claim, 8 Drawing Sheets**



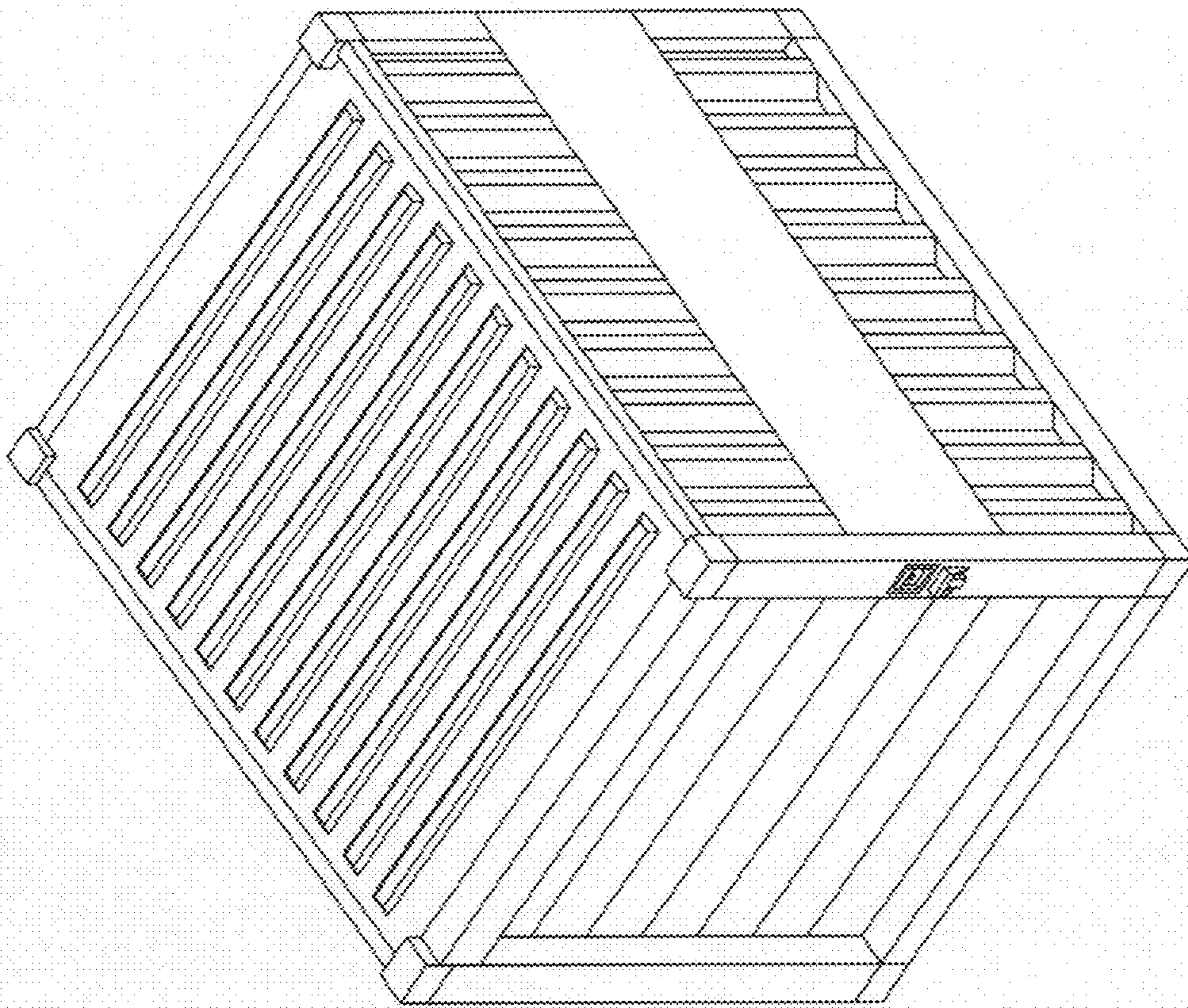


FIG. 1

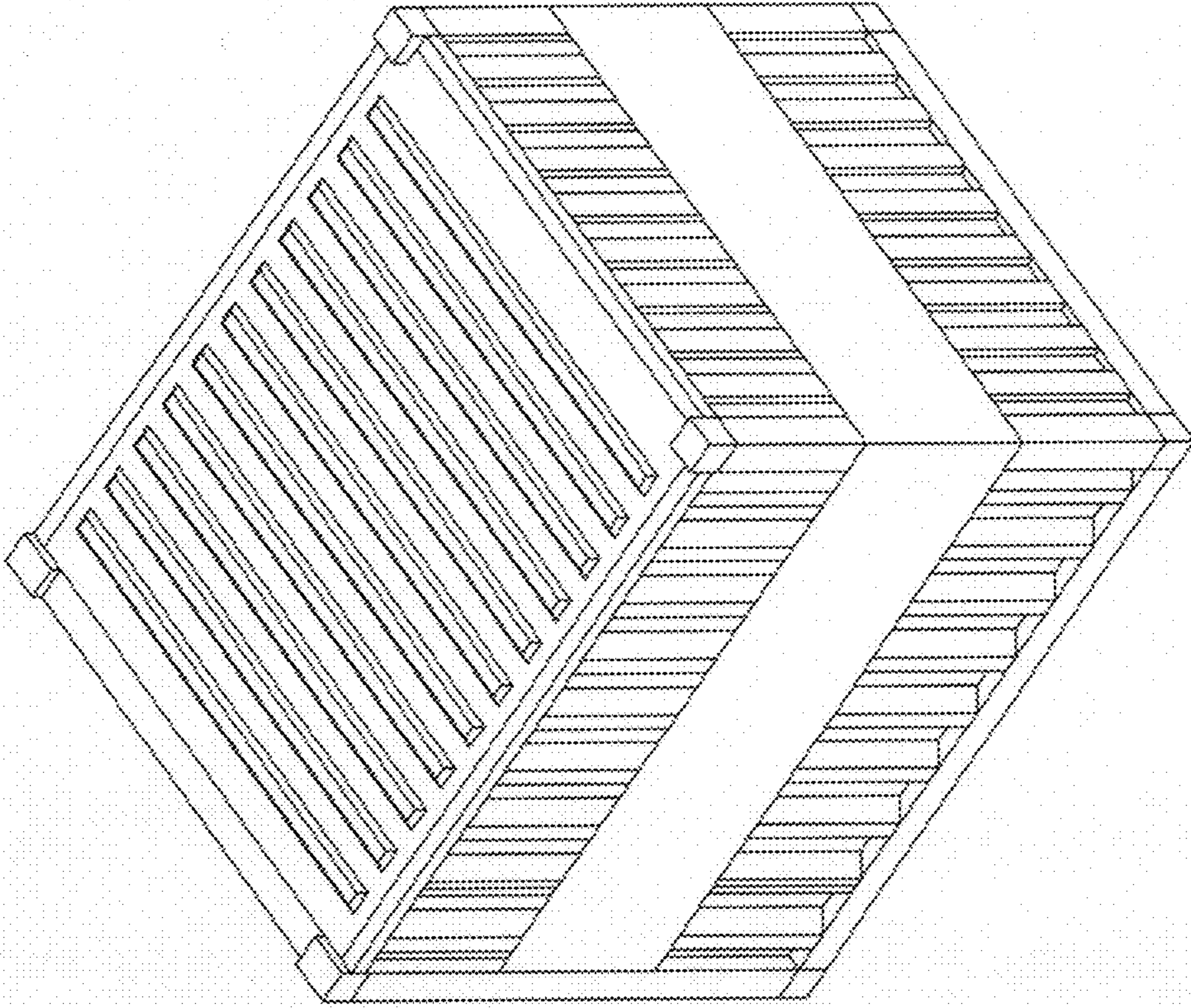


FIG. 2

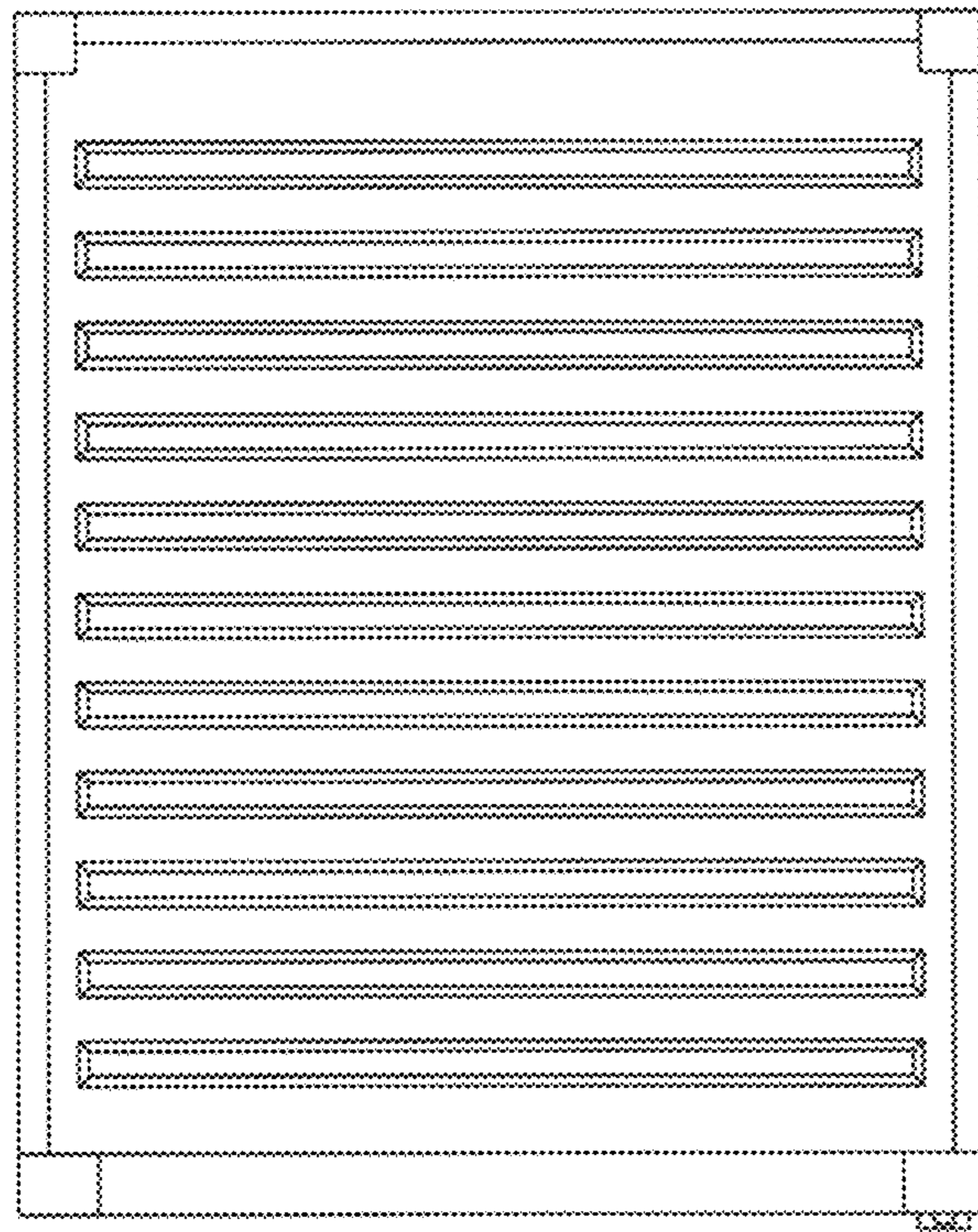


FIG. 3

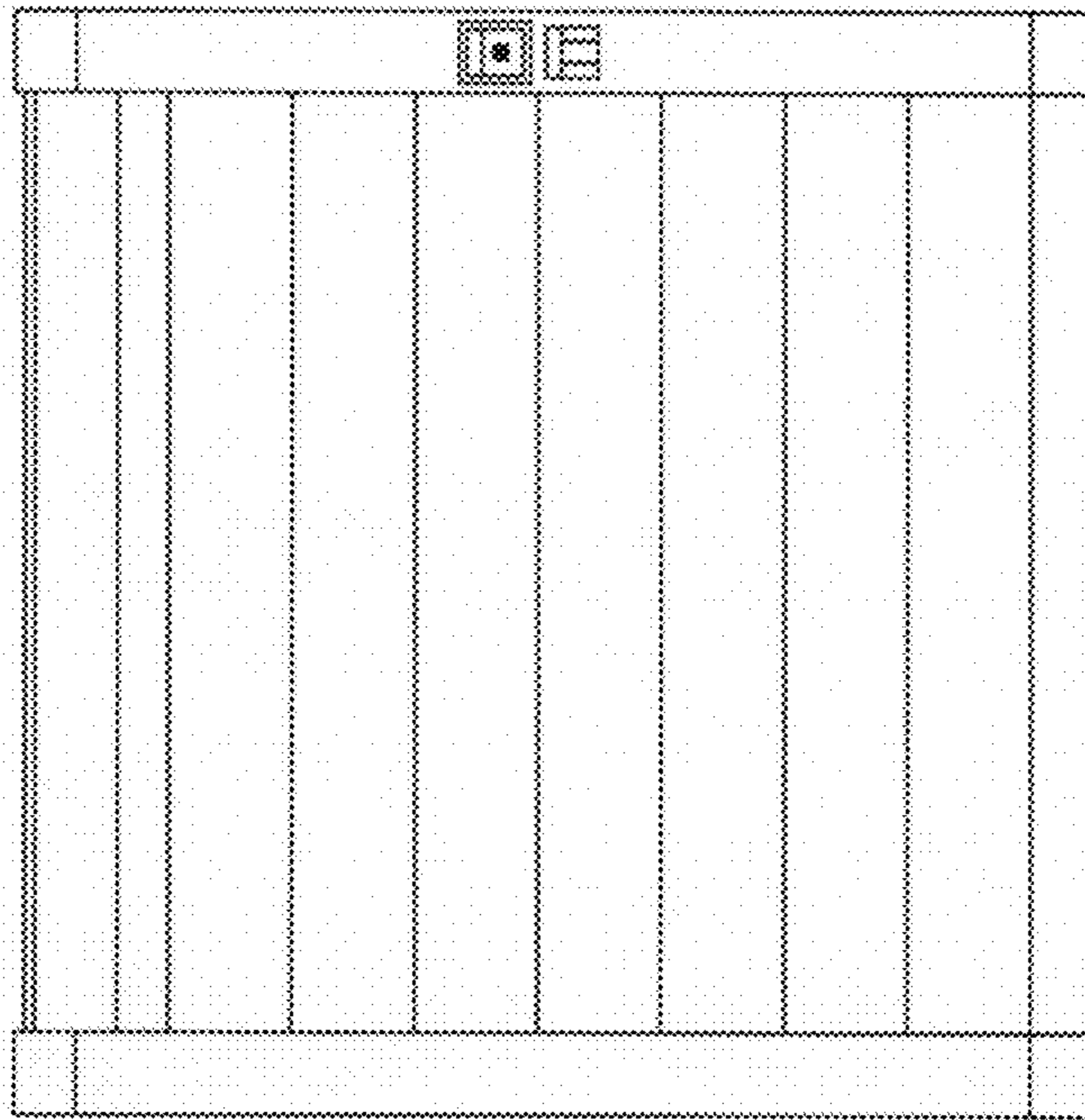


FIG. 4

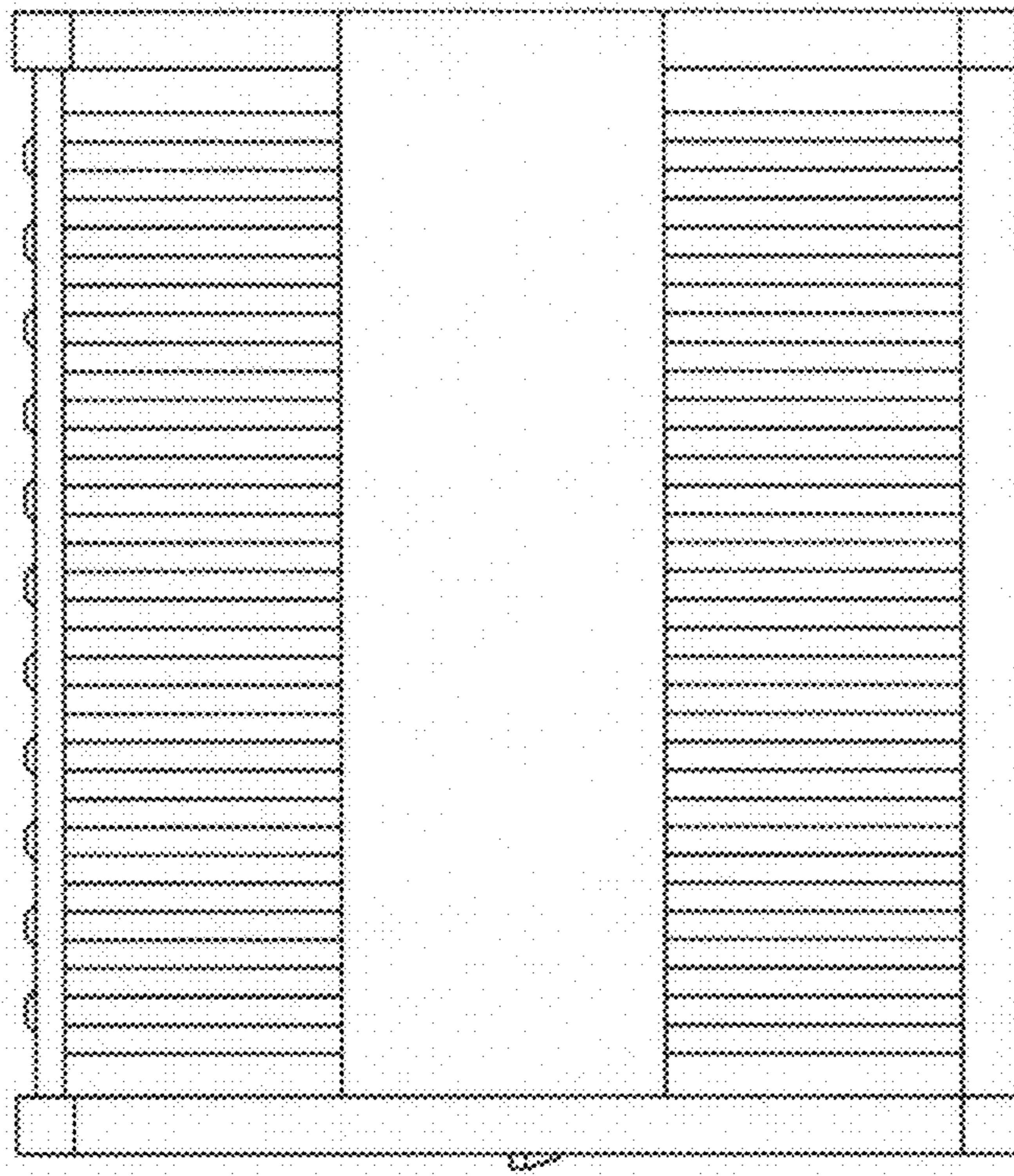


FIG. 5

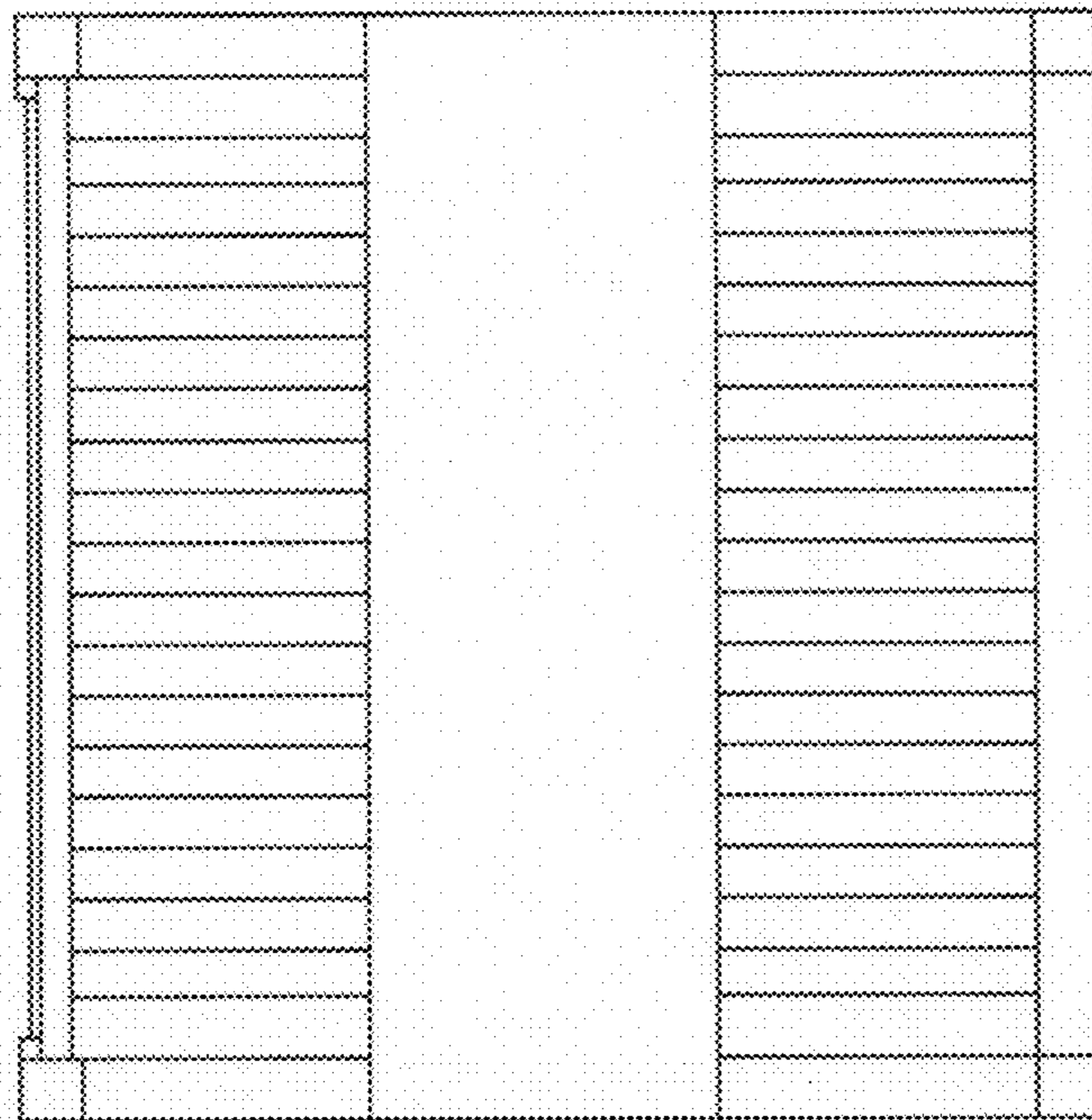


FIG. 6

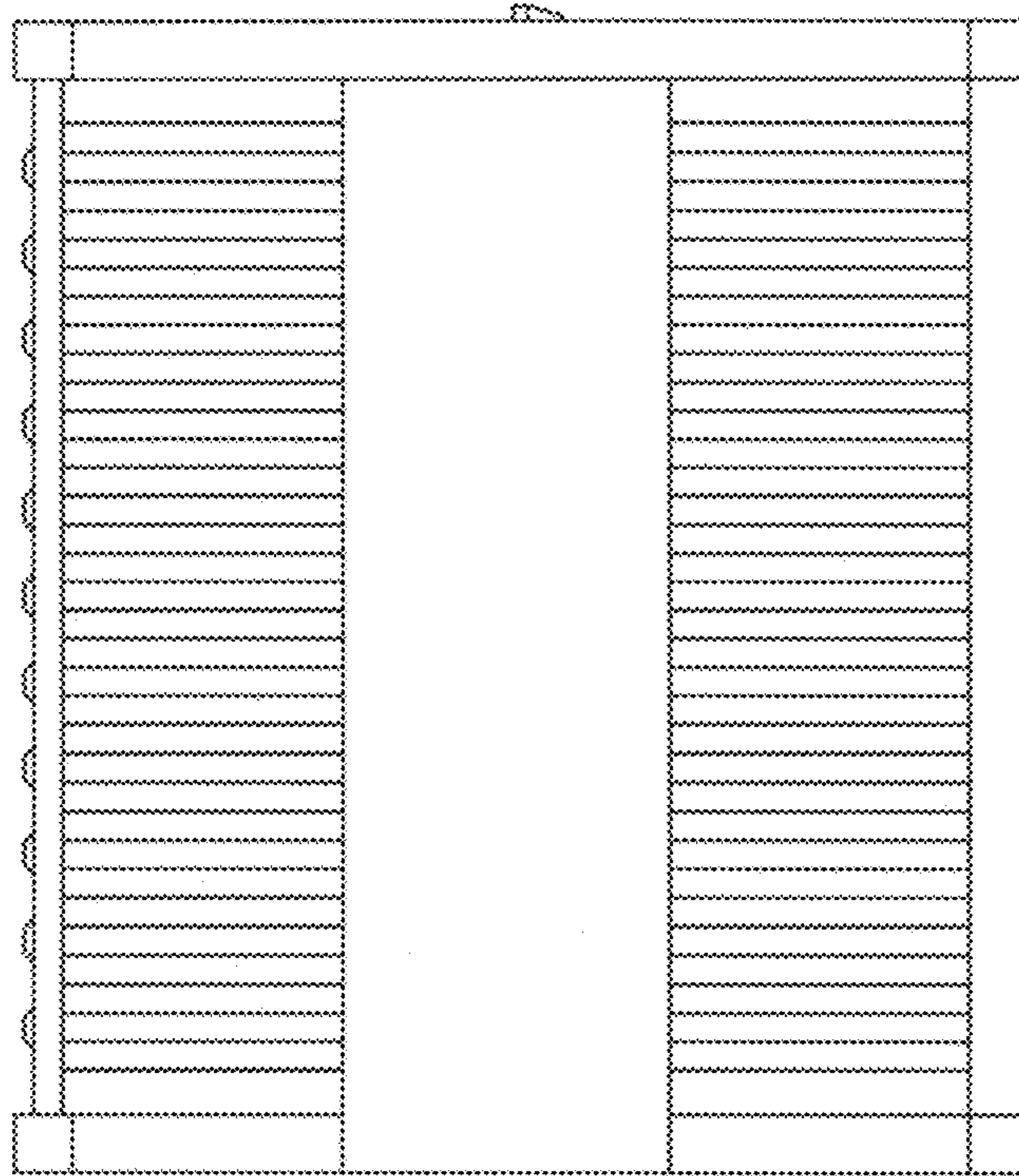


Fig. 7



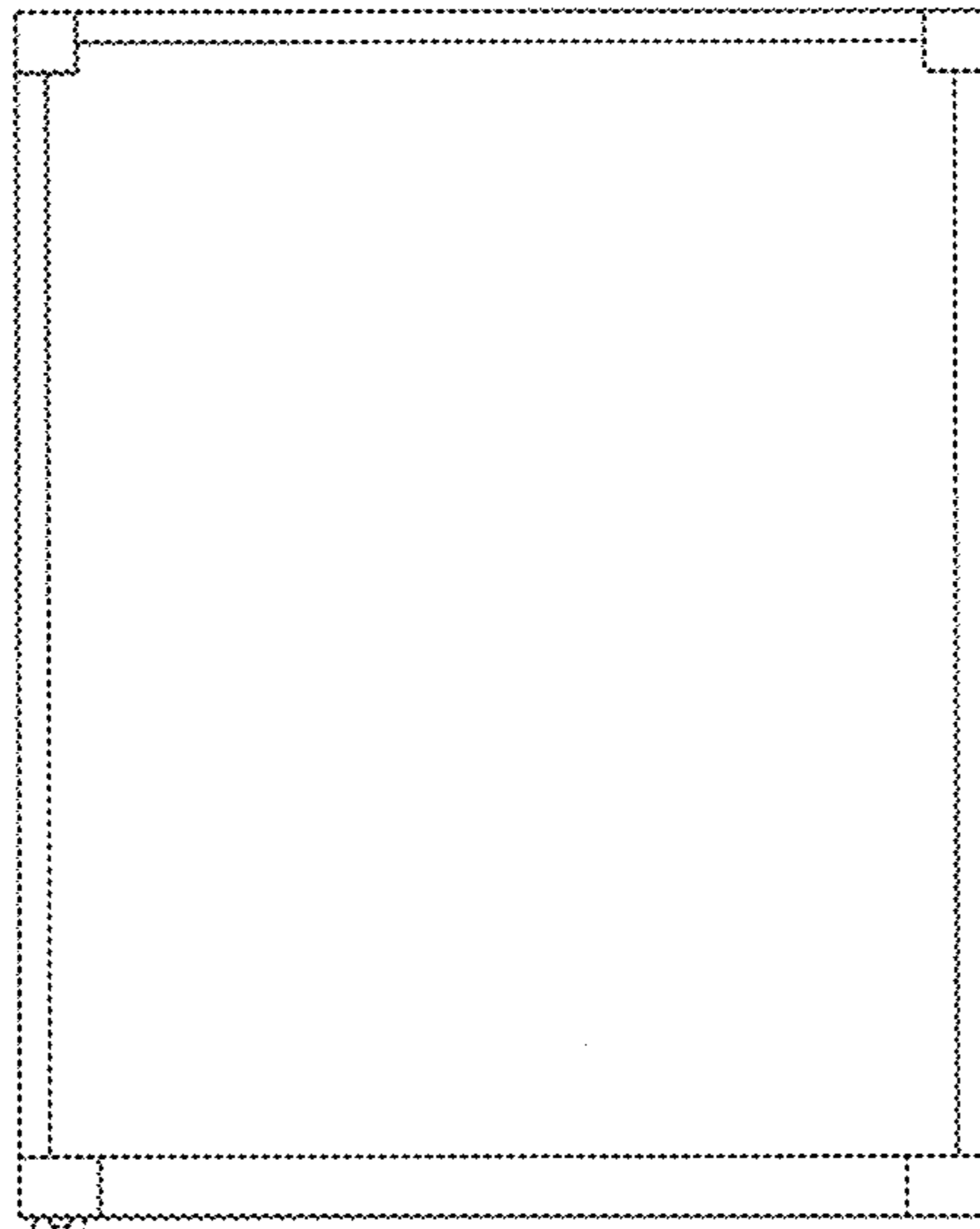


FIG. 8