

US00D802301S

(12) **United States Design Patent** (10) **Patent No.:** **US D802,301 S**
Vollmer et al. (45) **Date of Patent:** **** Nov. 14, 2017**

(54) **FULL WIDTH DOUBLE DOOR RECESSED LOCK BANDED CONTAINER**

(71) Applicants: **Eric Vollmer**, Springdale, AR (US);
Christopher DeMoss, Springdale, AR (US)

(72) Inventors: **Eric Vollmer**, Springdale, AR (US);
Christopher DeMoss, Springdale, AR (US)

(**) Term: **15 Years**

(21) Appl. No.: **29/551,146**

(22) Filed: **Jan. 11, 2016**

(51) **LOC (10) Cl.** **03-01**

(52) **U.S. Cl.**

USPC **D3/272**

(58) **Field of Classification Search**

USPC D3/272, 316, 322, 297, 273; D25/33;
D9/711; D34/38, 1

CPC B65D 88/26; B65D 88/542; B65D 88/129;
B65D 88/00; B65D 88/528; B65D 88/02;
B65D 88/12; F25D 2331/804; B65G
69/28; B65G 69/30

See application file for complete search history.

(56) **References Cited**

U.S. PATENT DOCUMENTS

| | | | | |
|--------------|---------|-----------|-------|--------|
| D213,156 S * | 1/1969 | Detanger | | D12/14 |
| D286,619 S * | 11/1986 | Slucker | | D3/272 |
| D336,158 S * | 6/1993 | Bunger | | D3/201 |
| D370,780 S * | 6/1996 | Bunger | | D3/272 |
| D403,153 S * | 12/1998 | Martineau | | D3/272 |
| D426,382 S * | 6/2000 | Martineau | | D3/272 |
| D536,154 S * | 1/2007 | Hawes | | D34/28 |
| D546,023 S * | 7/2007 | Hawes | | D34/28 |
| D647,700 S * | 11/2011 | Sayag | | D3/272 |

| | | | | |
|-------------------|---------|----------|-------|-------------------------|
| D764,796 S * | 8/2016 | Urrea | | D3/272 |
| 2003/0150769 A1 * | 8/2003 | Lau | | B65D 88/005 206/600 |
| 2011/0168593 A1 * | 7/2011 | Neufeld | | B65D 19/0012 206/386 |
| 2012/0163939 A1 * | 6/2012 | Grainger | | B65D 90/0073 410/46 |
| 2013/0284729 A1 * | 10/2013 | Cook | | B65D 88/68 220/1.5 |

OTHER PUBLICATIONS

Containercontainer, "Small Size Shipping / Storage Container Dimensions", Accessed Jul. 6, 2017. (<https://www.containercontainer.com/small-containers>).*

* cited by examiner

Primary Examiner — Jennifer Rivard

Assistant Examiner — April Rivas

(74) *Attorney, Agent, or Firm* — Keisling & Pieper PLC;
David B. Pieper

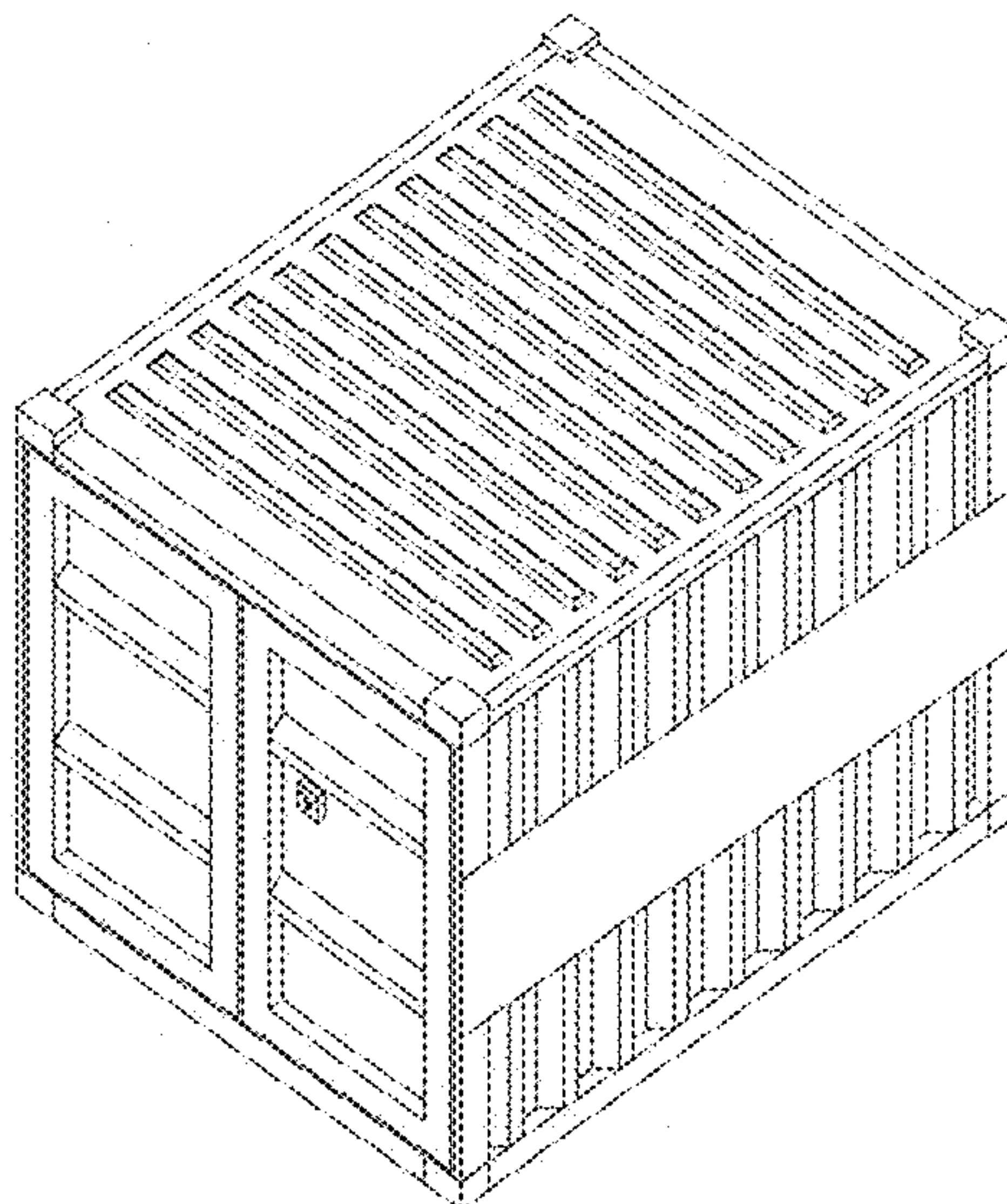
(57) **CLAIM**

The ornamental design for a full width double door recessed lock banded container, as shown and described.

DESCRIPTION

FIG. 1 is a perspective view of a full width double door recessed lock handed container showing my new design; FIG. 2 is another perspective view thereof; FIG. 3 is a top view thereof; FIG. 4 is a front view thereof; and, FIG. 5 is a right side view thereof; FIG. 6 is a back view thereof; FIG. 7 is a right side view thereof; and, FIG. 8 is a bottom view thereof.

1 Claim, 8 Drawing Sheets



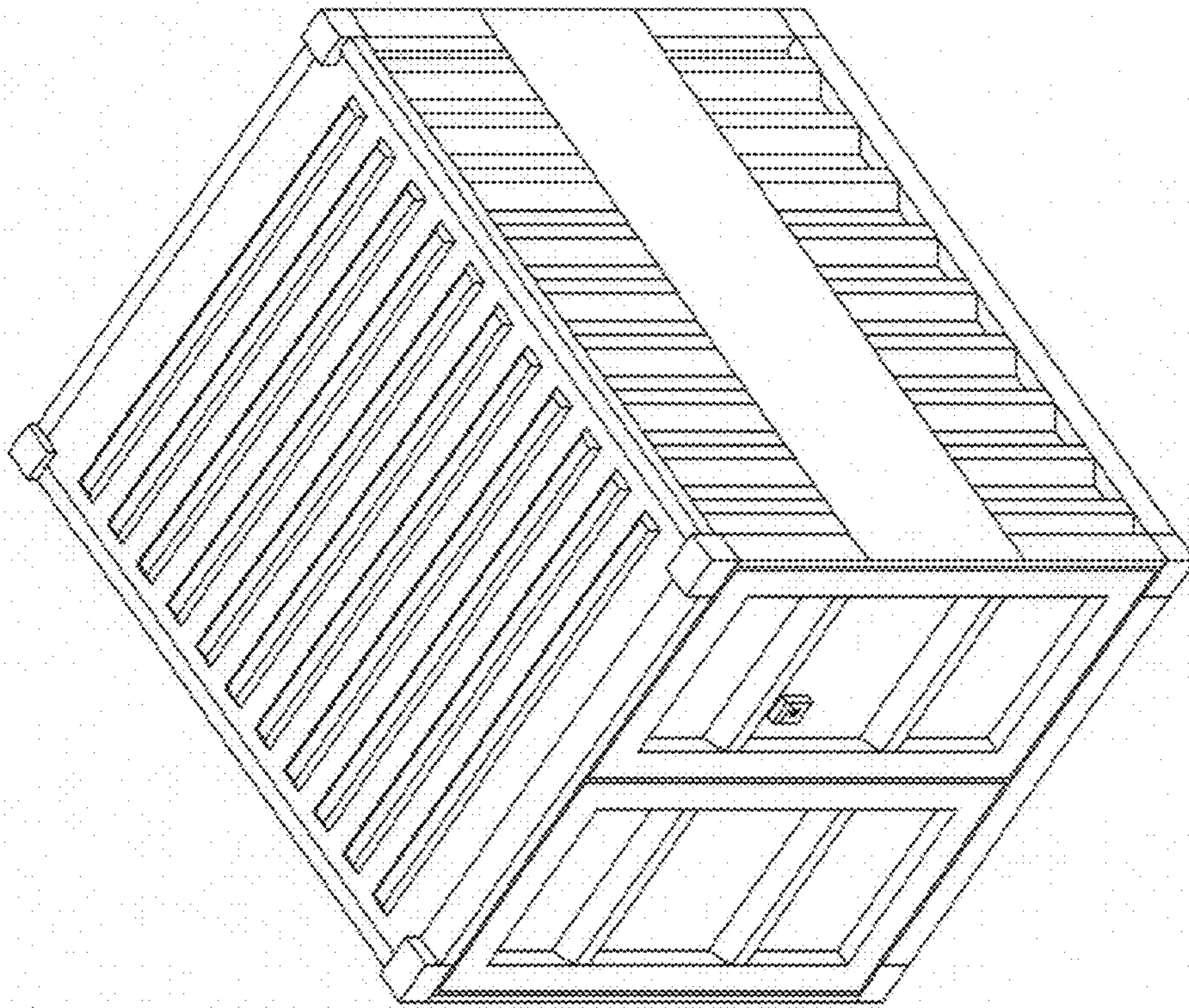


FIG. 1

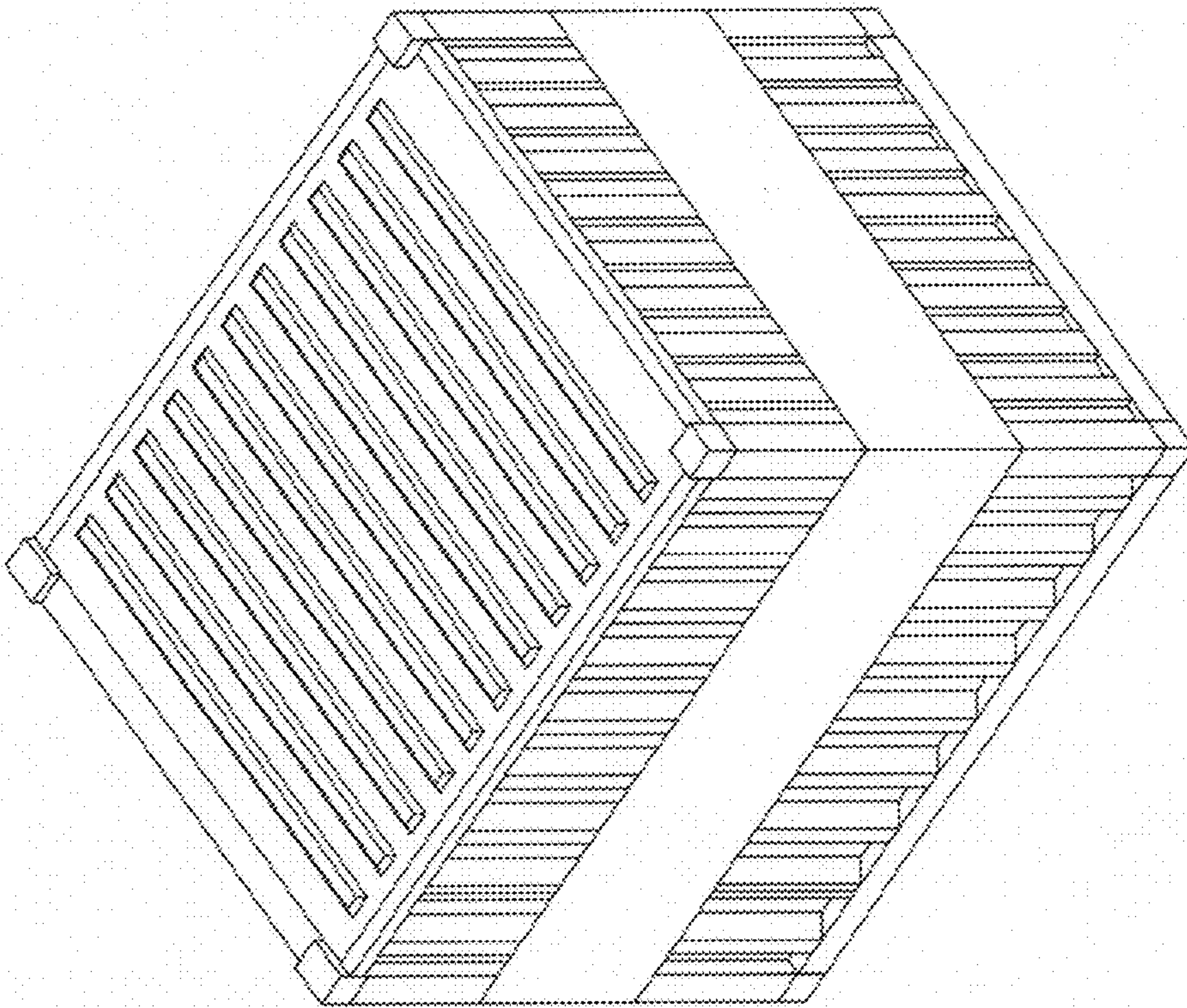


Fig. 2

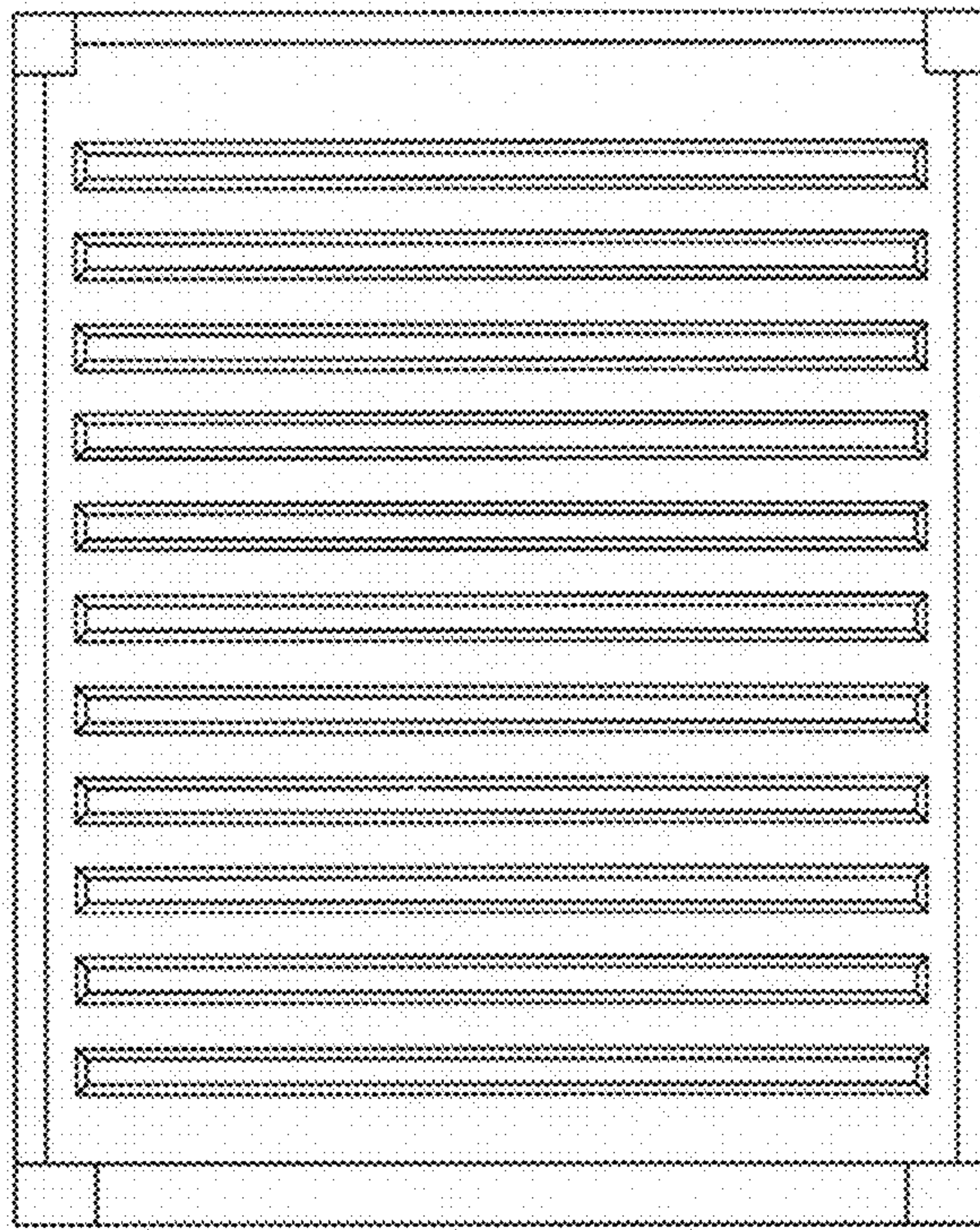


FIG. 3

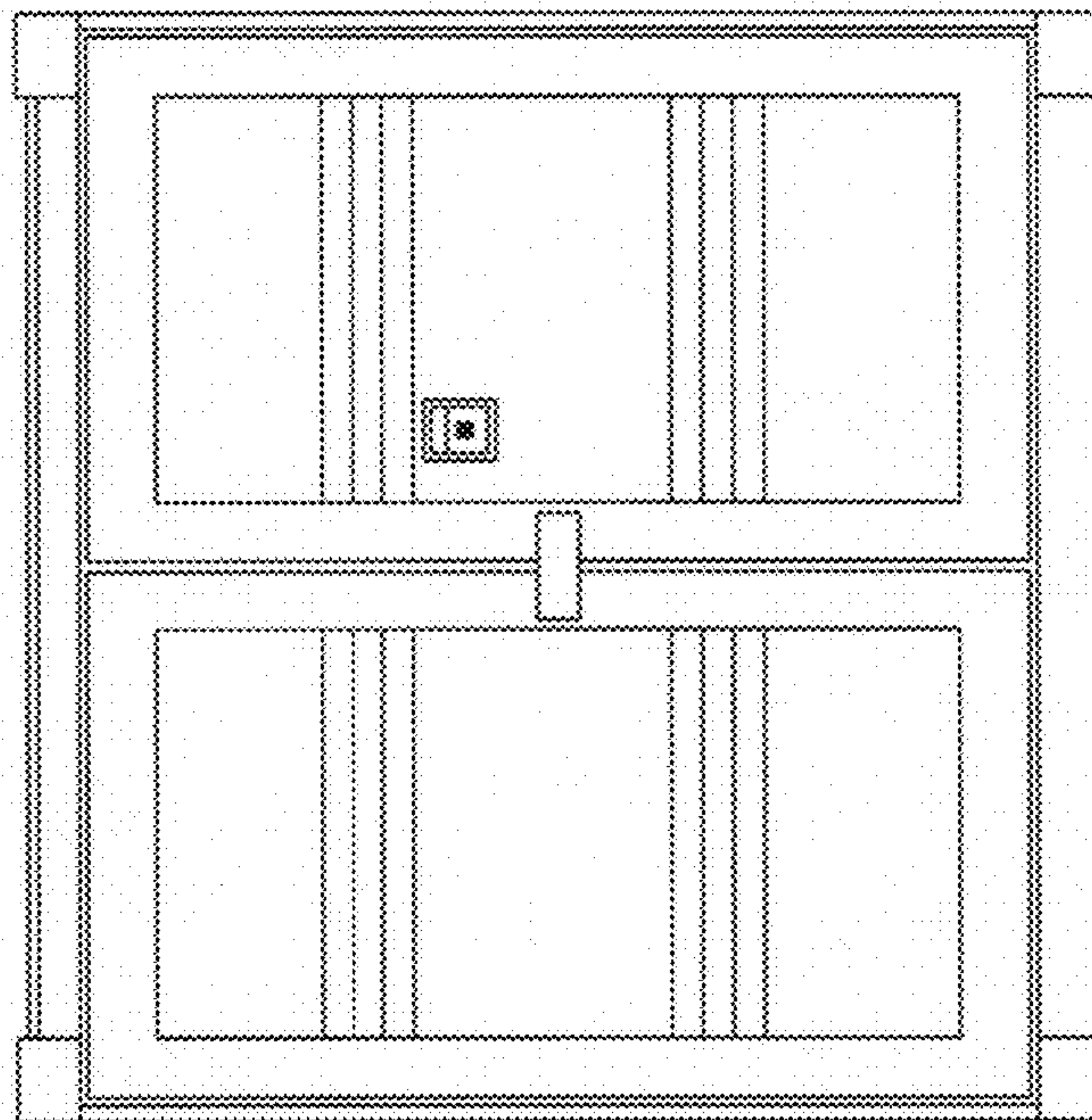


FIG. 4

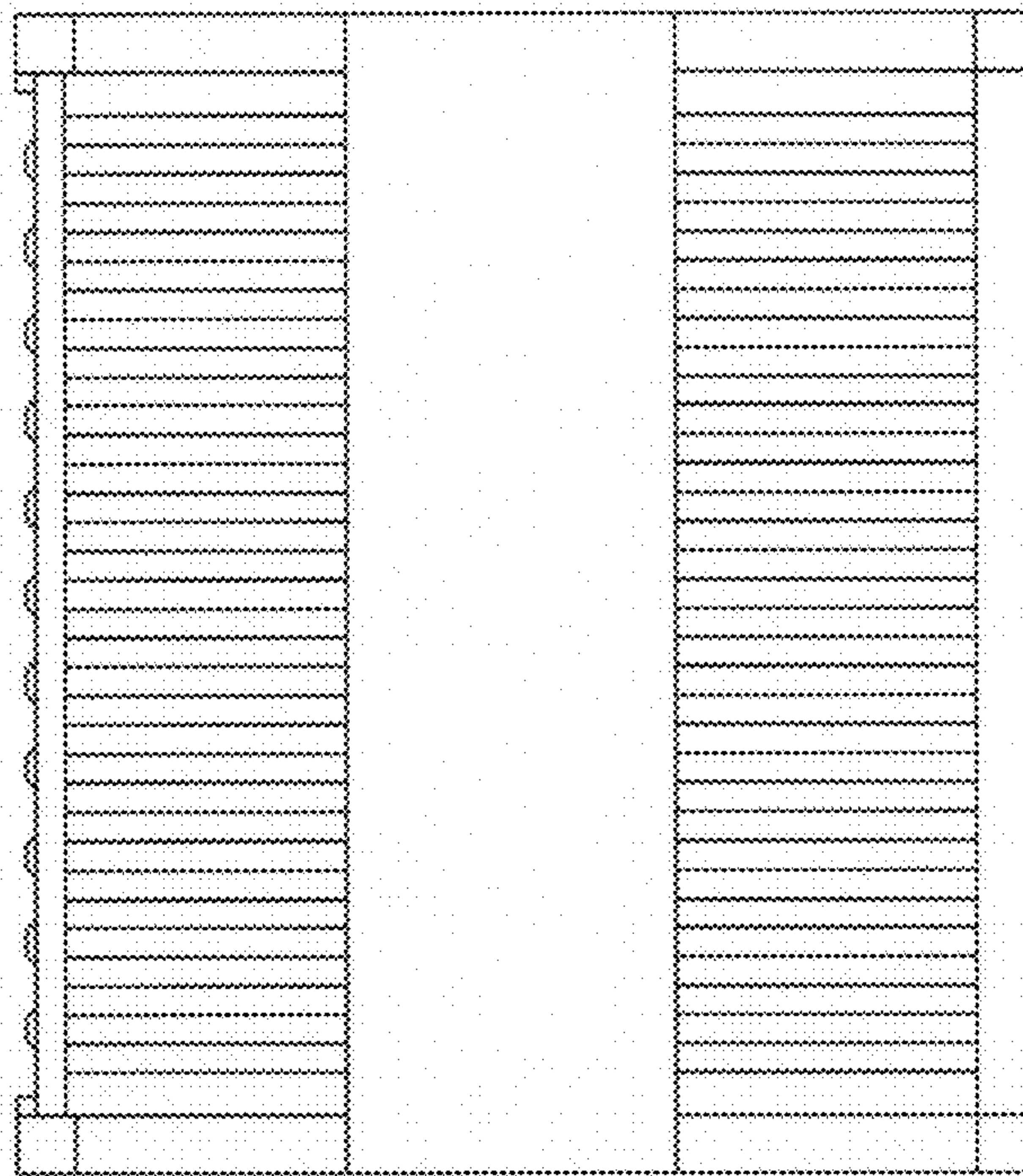


Fig. 5

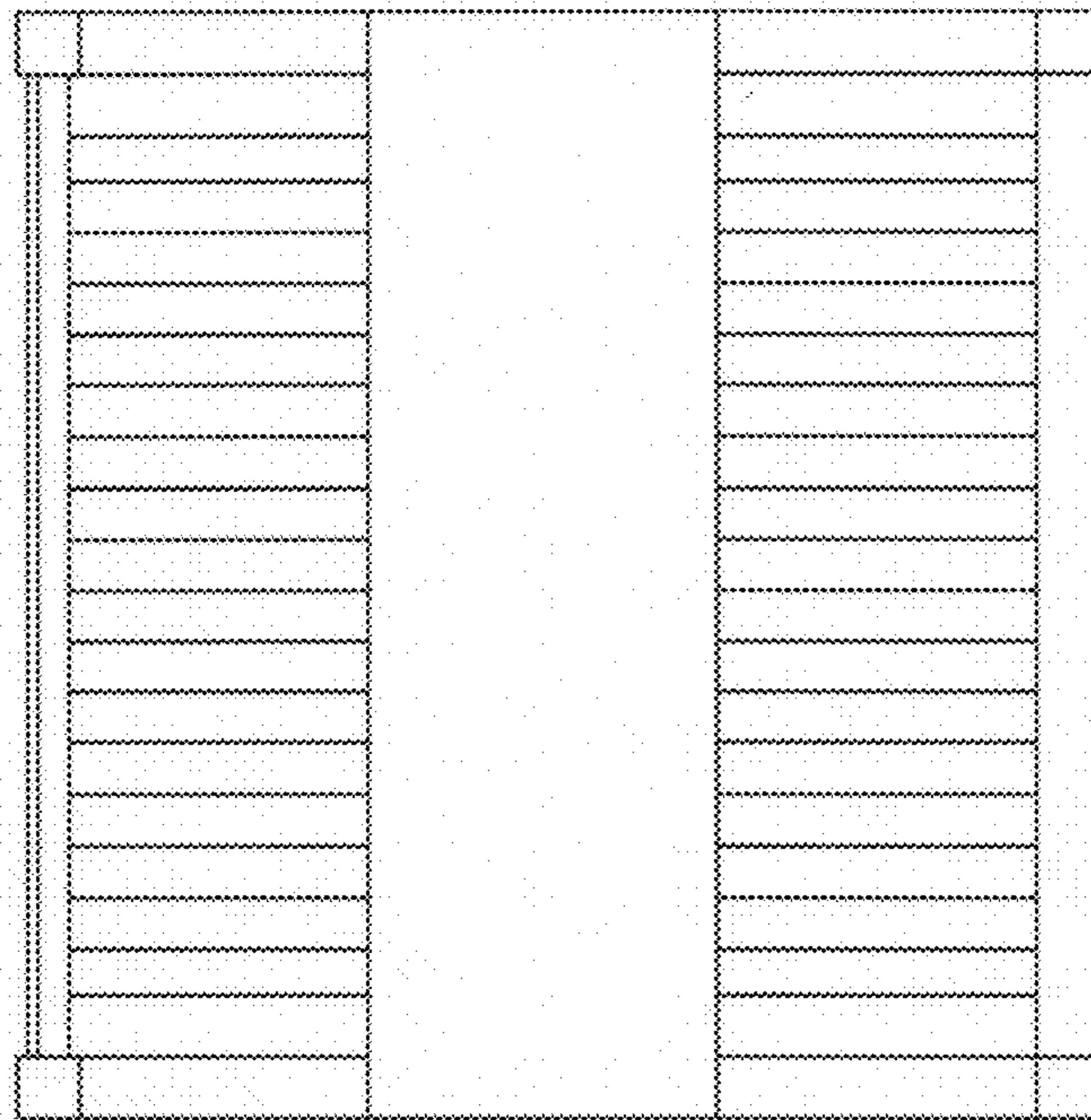


FIG. 6

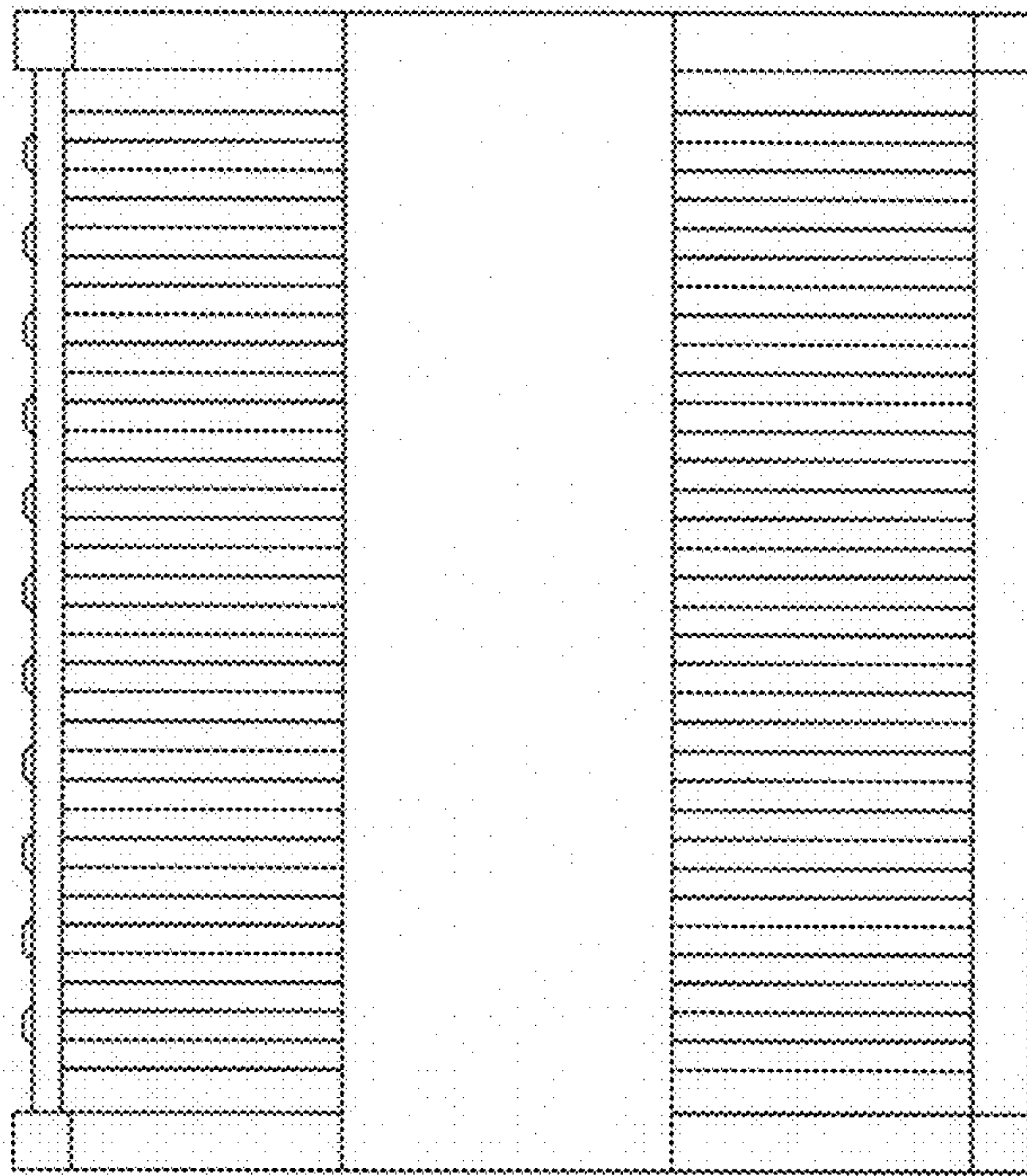


FIG. 7

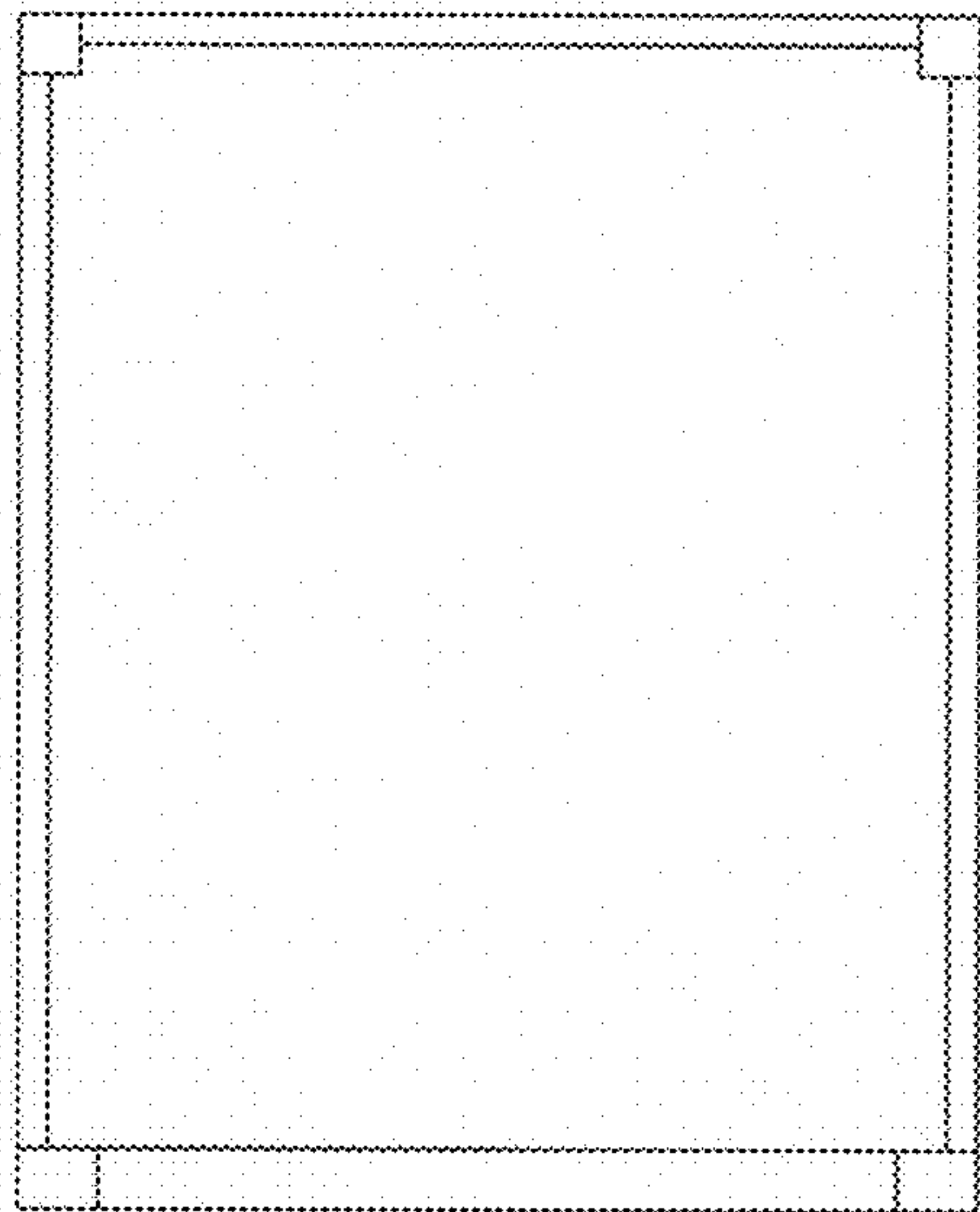


Fig. 8