



US00D802299S

(12) **United States Design Patent** (10) **Patent No.:** **US D802,299 S**  
**Sassi** (45) **Date of Patent:** **\*\* Nov. 14, 2017**

(54) **BAG**  
(71) Applicant: **VALENTINO S.p.A.**, Milan (IT)  
(72) Inventor: **Stefano Sassi**, Milan (IT)  
(73) Assignee: **Valentino S.p.A.**, Milan (IT)  
(\*\*) Term: **15 Years**

D745,268 S \* 12/2015 Slimane ..... D3/232  
D758,720 S \* 6/2016 Elias, II ..... D3/243  
D776,923 S \* 1/2017 Sassi ..... D3/243  
D790,215 S \* 6/2017 Nair ..... D3/243

(21) Appl. No.: **29/570,789**  
(22) Filed: **Jul. 12, 2016**

FOREIGN PATENT DOCUMENTS

KR 3020150049784 \* 10/2015

(30) **Foreign Application Priority Data**

Jan. 13, 2016 (IT) ..... 402016000002524

(51) **LOC (10) Cl.** ..... **03-01**  
(52) **U.S. Cl.**  
USPC ..... **D3/246; D3/232**

(58) **Field of Classification Search**  
USPC ..... D3/201, 205, 206, 231–233, 239–247,  
D3/258, 273, 299, 301, 303, 318, 901,  
D3/903; D12/409  
CPC ..... A45C 13/02; A45C 13/06; A45C 13/08;  
A45C 13/26; A45C 1/024; A45C 7/0077;  
A45C 3/04; A45C 3/06  
See application file for complete search history.

OTHER PUBLICATIONS

Karen Cheng, Michael Kors Studded Selma Bag, posted on Nov. 19, 2015, [online], [site visited on Jun. 19, 2017]. Available from Internet, <URL: <http://www.karencheng.com.au/2015/11/19/michael-kors-studded-selma-bag/>>.\*  
Miami Design District, Skins, Studs and Fur—Fall’s Hottest Handbag Trend, posted Sep. 16, 2015, [online], [site visited on Jun. 19, 2017]. Available from Internet, <URL: <http://www.miamidesigndistrict.net/blog/entries/431/skins-studs-and-fur--falls-hottest-handbag-trend/>>.\*

(Continued)

*Primary Examiner* — Sheryl Lane  
*Assistant Examiner* — Samantha Wood  
(74) *Attorney, Agent, or Firm* — Thomas | Horstemeyer, LLP

(57) **CLAIM**  
The ornamental design for a bag, as shown and described.

(56) **References Cited**

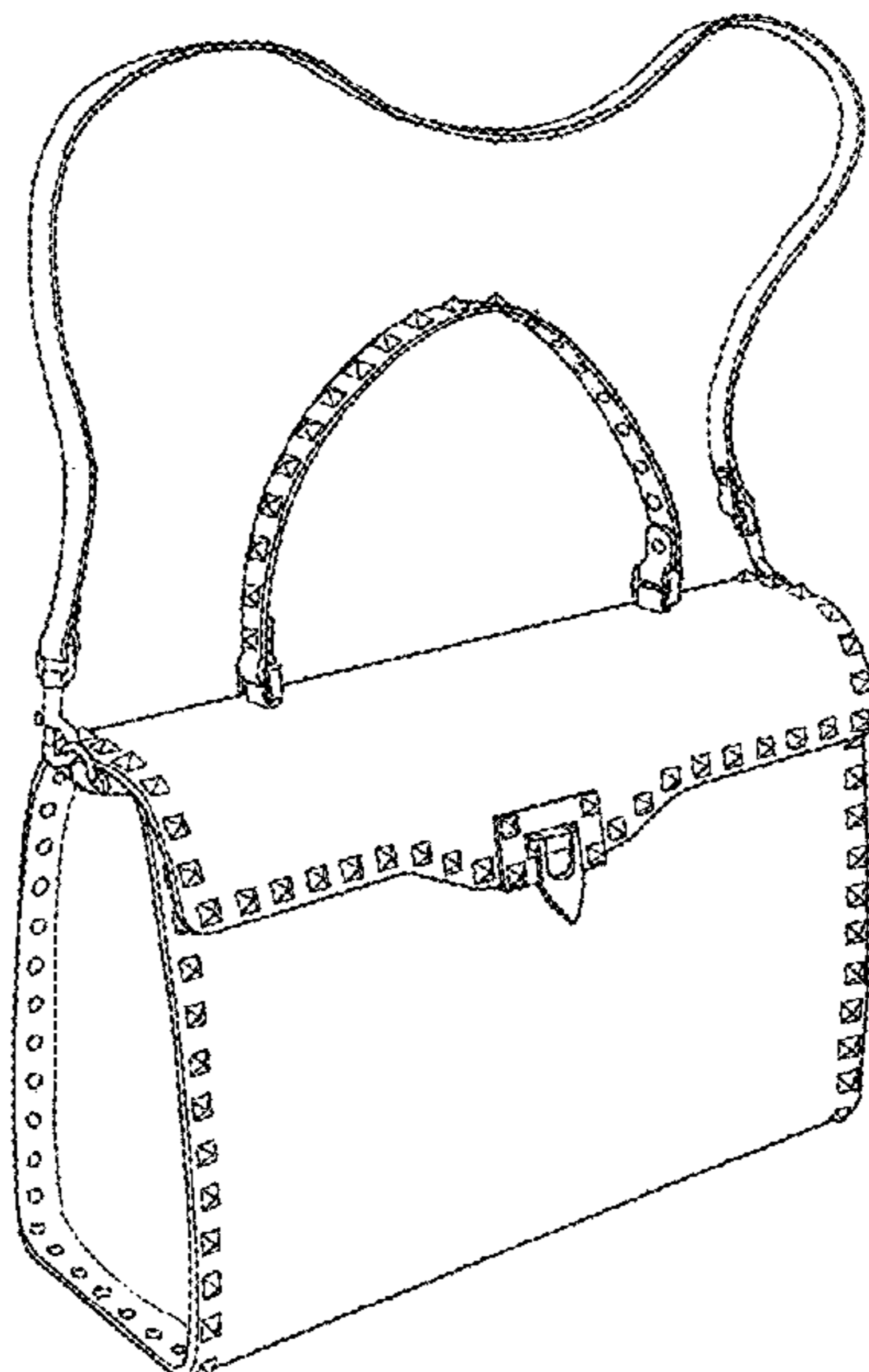
U.S. PATENT DOCUMENTS

D532,968 S \* 12/2006 Roth ..... D3/242  
D534,723 S \* 1/2007 Fusi ..... D3/243  
D609,907 S \* 2/2010 Guyon ..... D3/243  
D631,656 S \* 2/2011 Della Valle ..... D3/243  
D655,498 S \* 3/2012 Sassi ..... D3/232  
D686,820 S \* 7/2013 Song ..... D3/243  
D696,860 S \* 1/2014 Guyon ..... D3/243  
D697,713 S \* 1/2014 Sassi ..... D3/246  
D717,042 S \* 11/2014 Sassi ..... D3/243

**DESCRIPTION**

FIG. 1 is a perspective view of my new design;  
FIG. 2 is a front view thereof;  
FIG. 3 is a rear view thereof;  
FIG. 4 is a side view thereof;  
FIG. 5 is a side view thereof, from a side opposite that of FIG. 4;  
FIG. 6 is a top view thereof; and,  
FIG. 7 is a bottom view thereof.

**1 Claim, 7 Drawing Sheets**



(56)

**References Cited**

OTHER PUBLICATIONS

Purseblog, The Look Right Now: Studded Clutches, posted Mar. 18, 2013, [online], [site visited on Jun. 28, 2017]. Available from Internet, <URL: <http://www.purseblog.com/trends/studded-clutches-trend/>>.\*

Purseblog, Want It Wednesday: Valentino Crocodile Rockstud Envelope Clutch, posted on Jun. 6, 2012, [online], [site visited on Jun. 28, 2012]. Available from Internet, <URL: <http://www.purseblog.com/valentino/valentino-crocodile-rockstud-envelope-clutch/>>.\*

KPopStarz, K-Pop 2014 to 2015 Bag Trends, posted Oct. 20, 2014, [online], [site visited on Jun. 29, 2017]. Available from Internet, <URL: <http://www.kpopstarz.com/articles/124980/20141020/k-pop-2014-to-2015-bag-trends-part-1-blog.htm>>.\*

Purseblog, 76 Bags and the Celebrities who carried them to New York Fashion Week Spring 2016, posted Sep. 17, 2015, [online], [site visited on Jun. 29, 2017]. Available from Internet, <URL: <http://www.purseblog.com/celebrities/designer-bags-new-york-fashion-week-spring-2016/>>.\*

\* cited by examiner

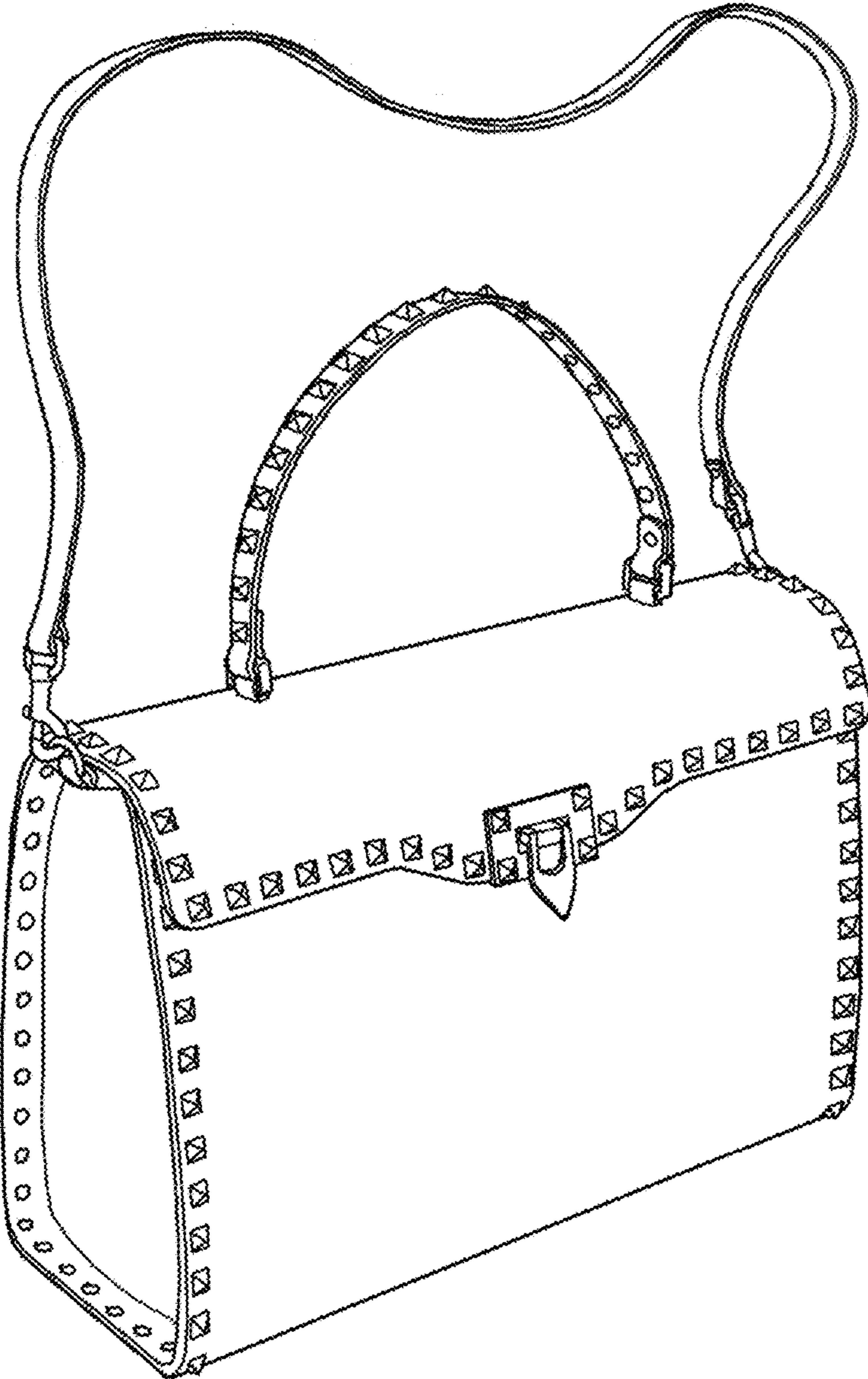


FIG. 1

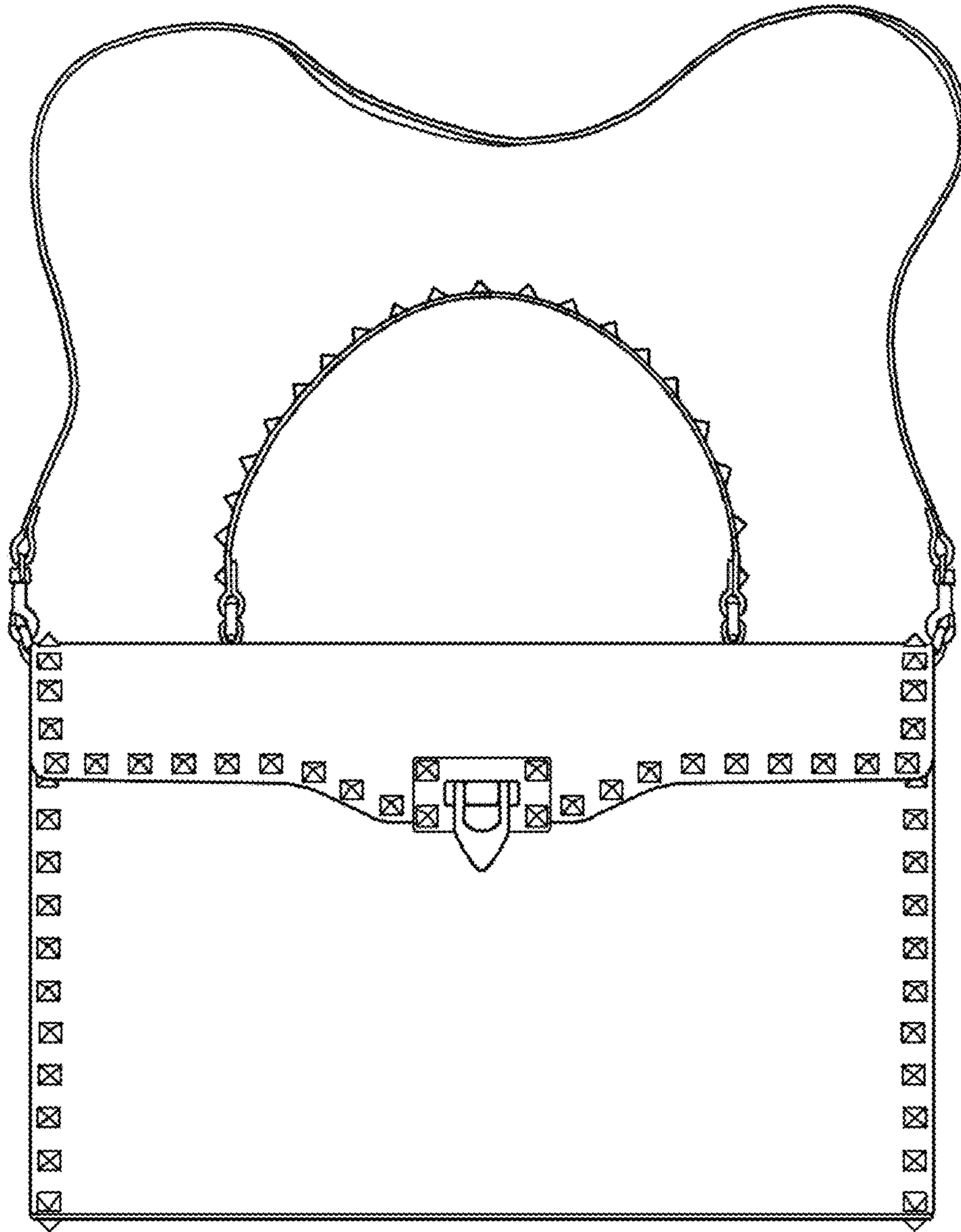


FIG. 2



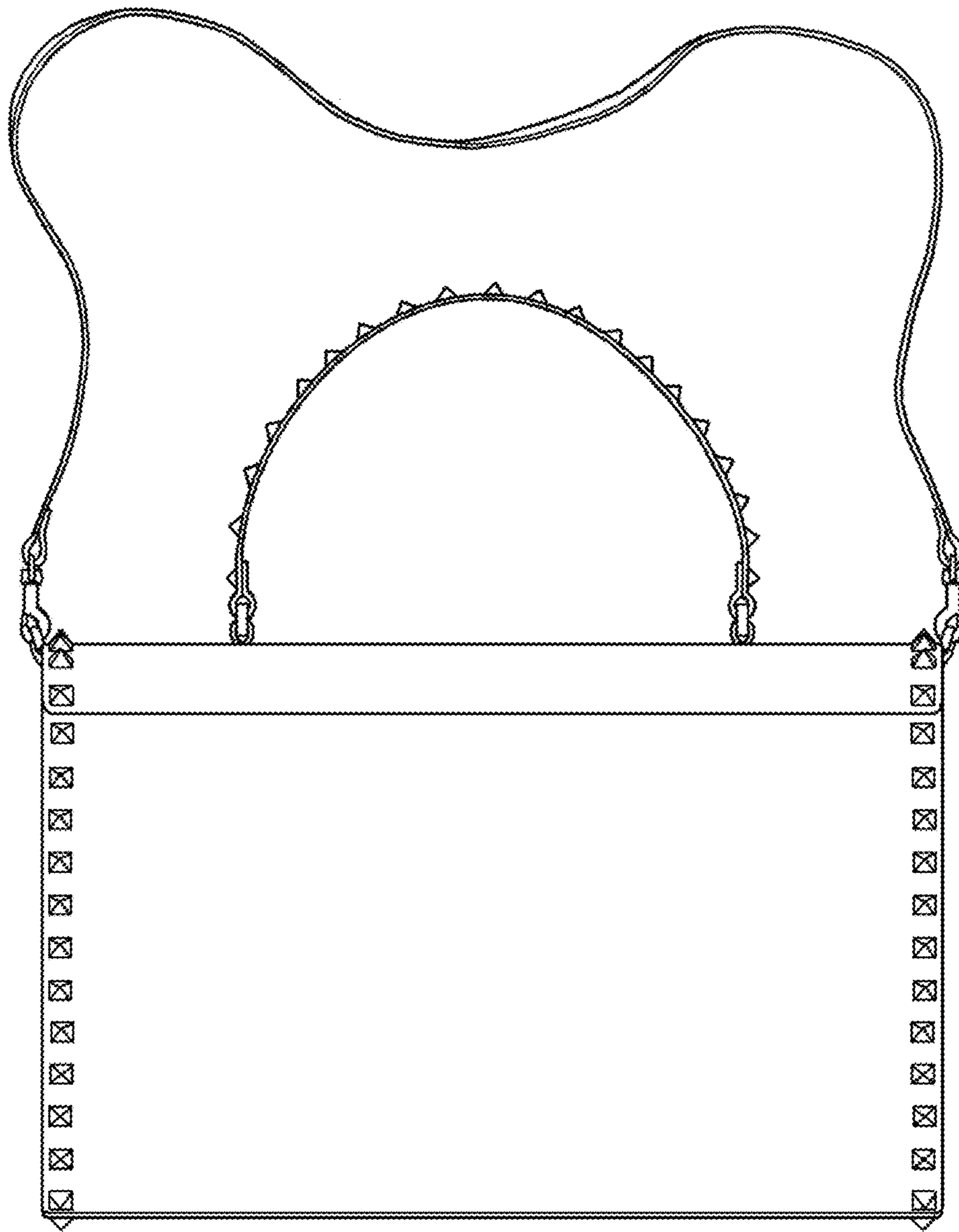


FIG. 3

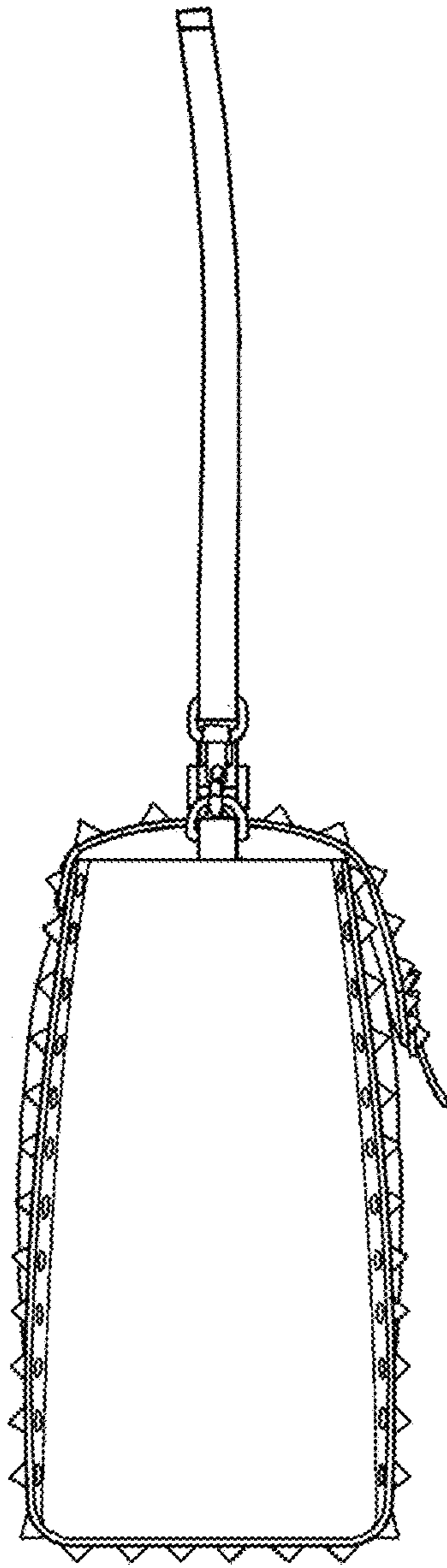


FIG. 4

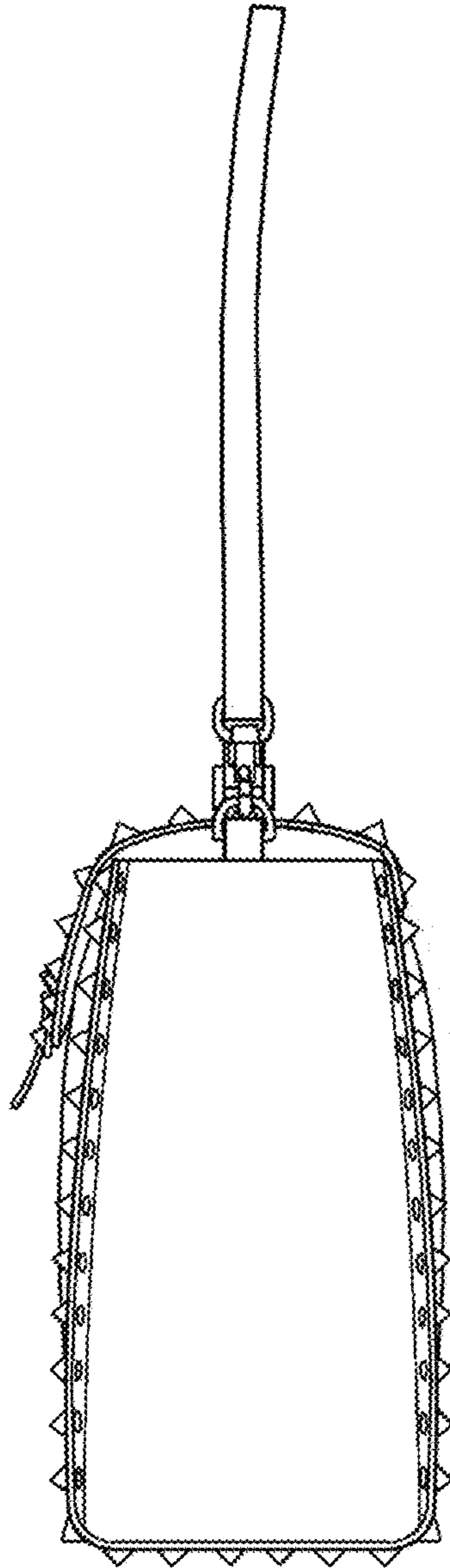


FIG. 5

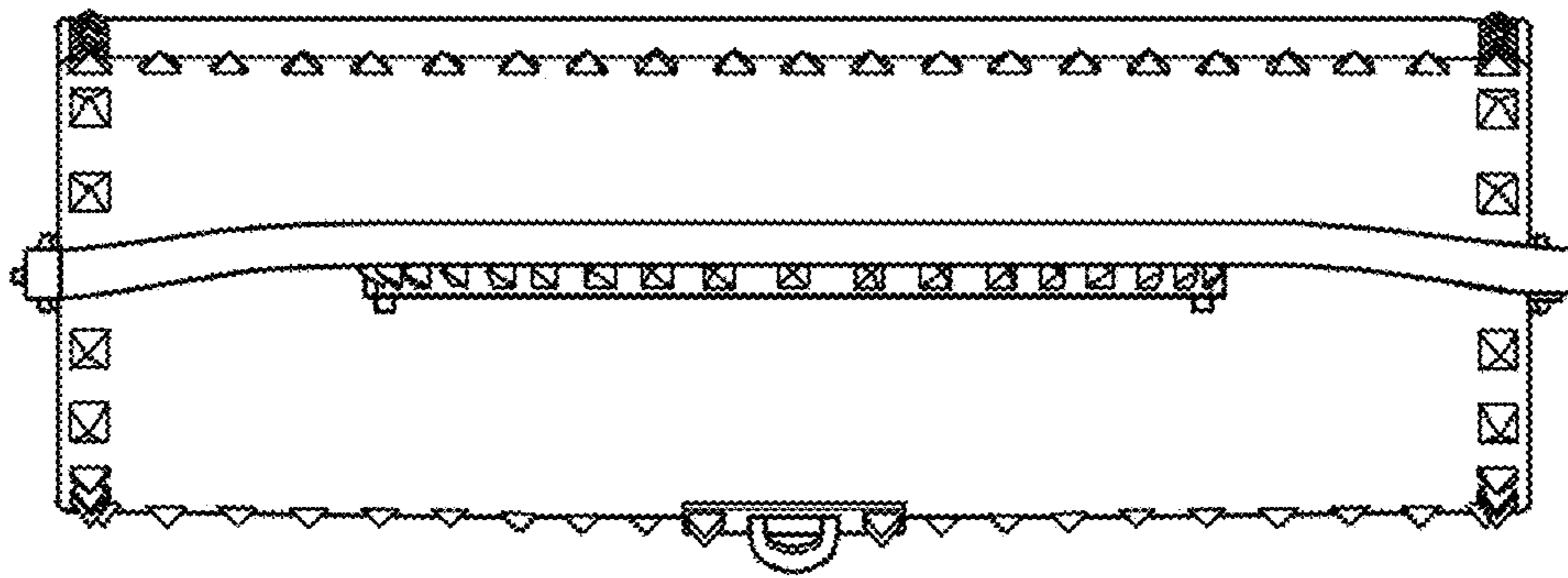


FIG. 6



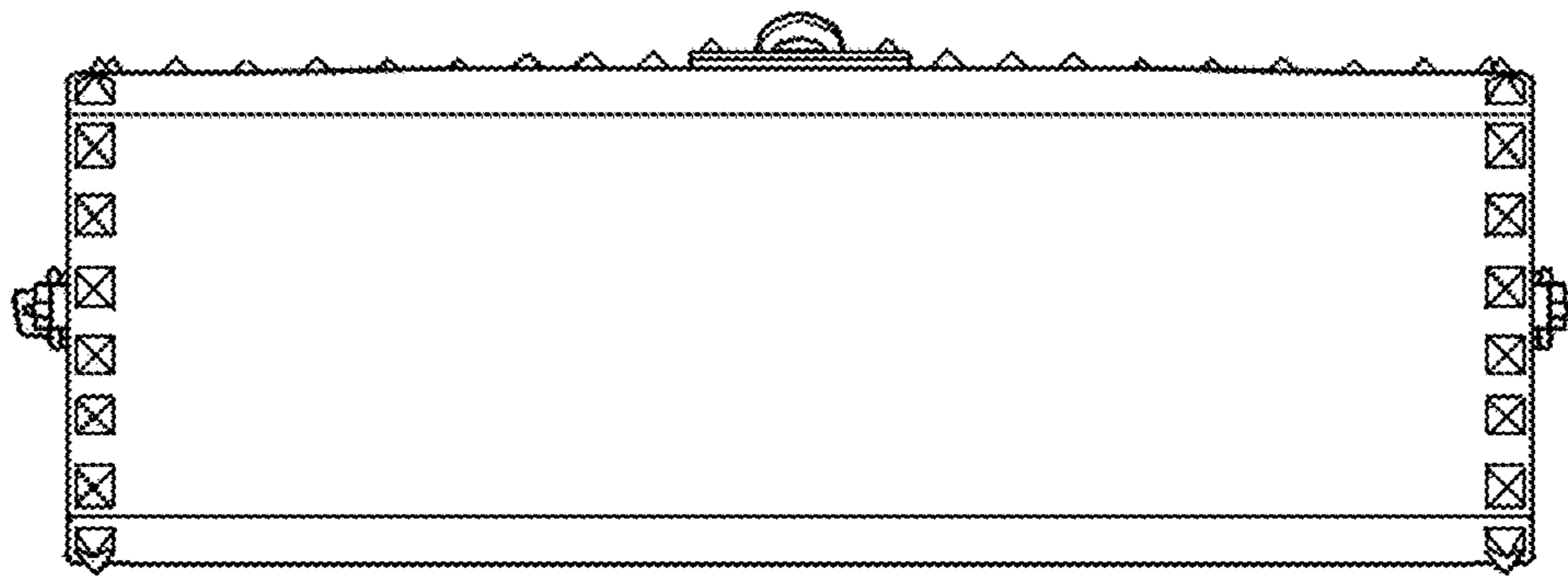


FIG. 7